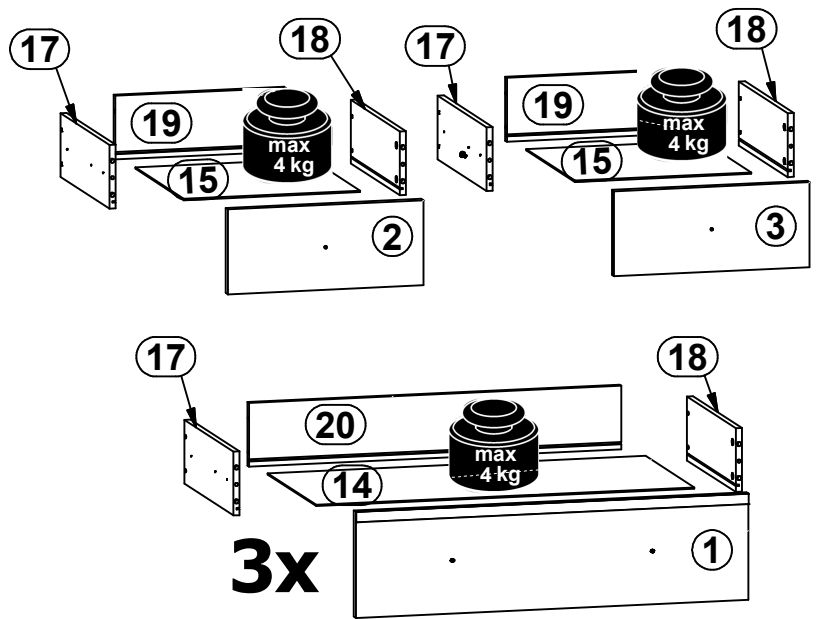
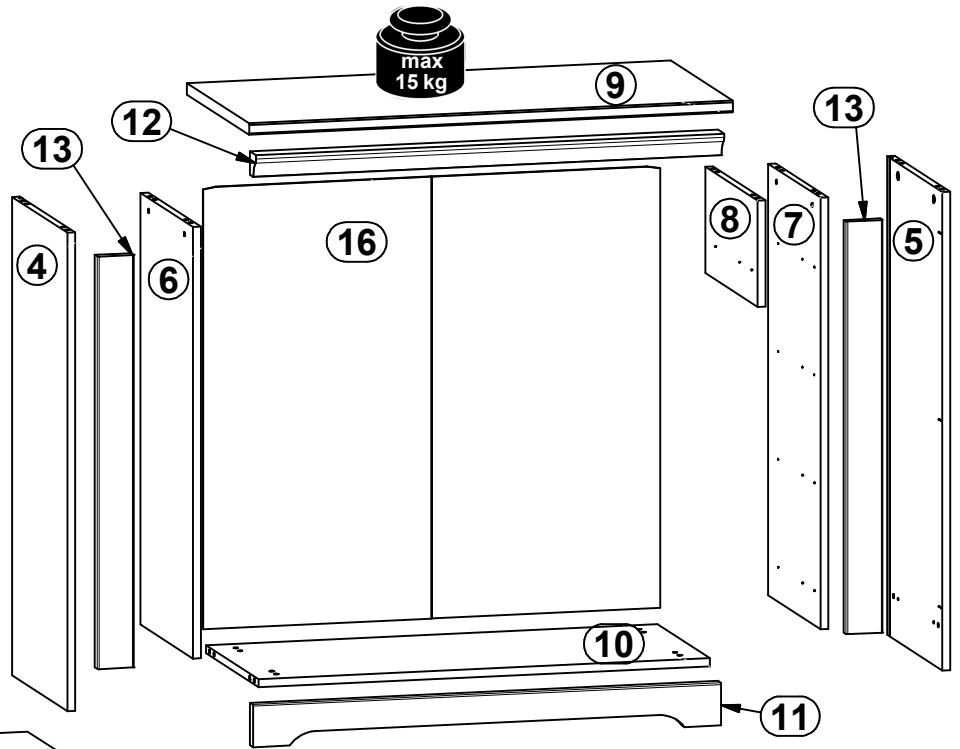
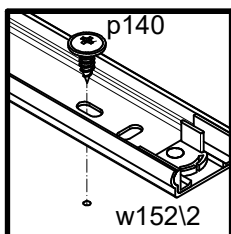
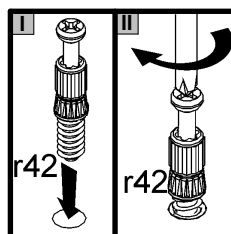
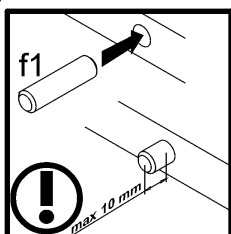
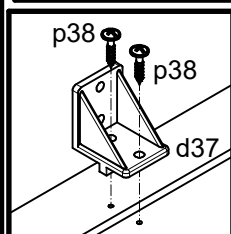
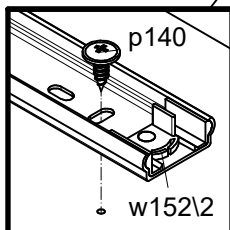
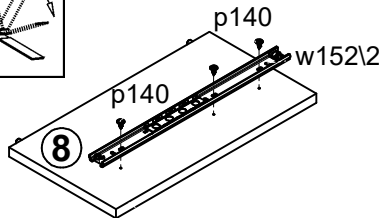
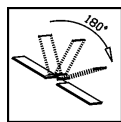
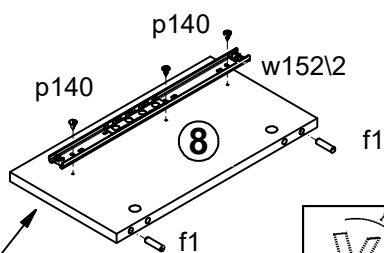
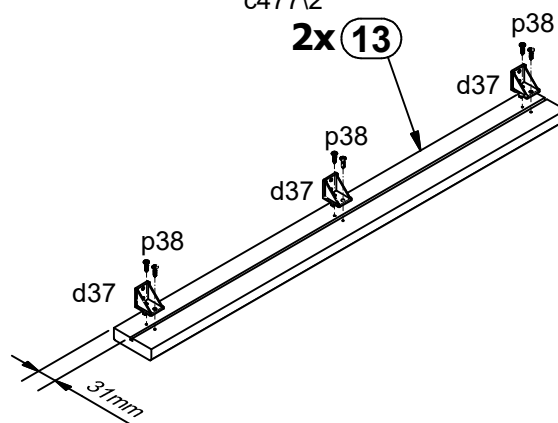
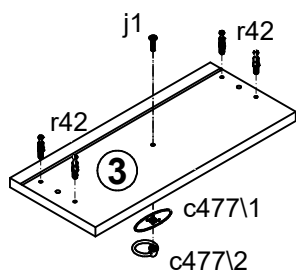
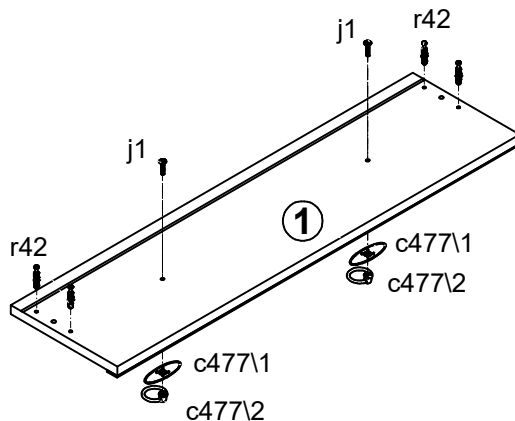
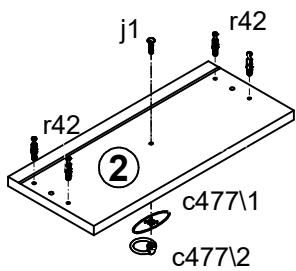
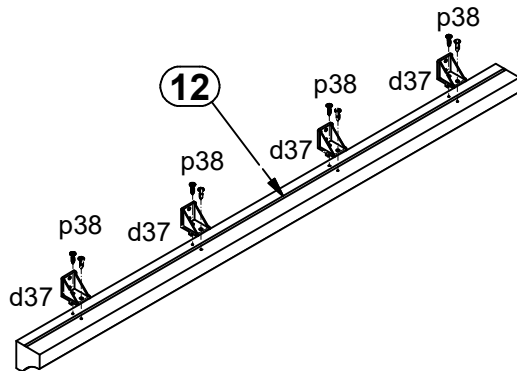
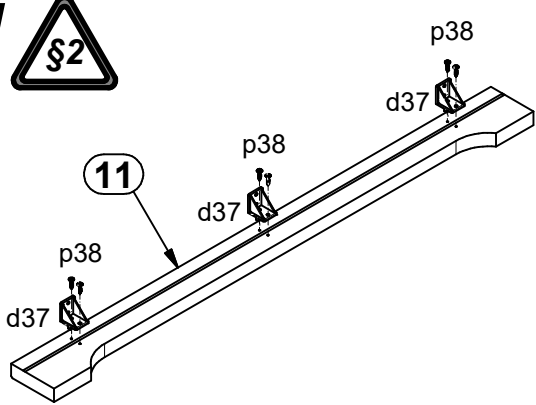


A	B	C	D	
1	S405-0005	753	200	2/2
2	S405-0006	375	160	2/2
3	S405-0007	375	160	2/2
4	S405-1005	900	395	2/2
5	S405-1006	900	395	2/2
6	S405-1007	812	375	1/2
7	S405-1008	812	375	1/2
8	S405-1009	200	375	1/2
9	S405-2002	928	445	2/2
10	S405-3003	866	375	2/2
11	S405-5003	898	80	2/2
12	S405-5004	898	44	2/2
13	S405-5005	776	70	2/2
14	S405-9002	725	348	1/2
15	S405-9003	338	348	2/2
16	S405-9303	831	877	1/2
17	ZK1-503	350	120	1/2
18	ZK1-504	350	120	1/2
19	ZS4-5519	327	120	1/2
20	ZS4-5520	714	120	1/2

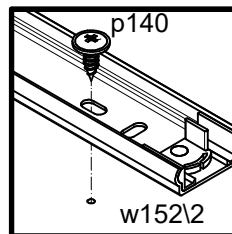
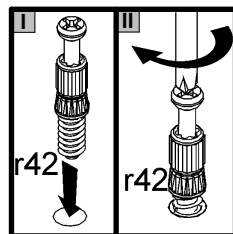
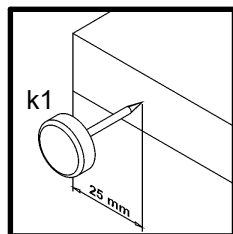
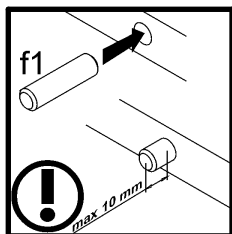
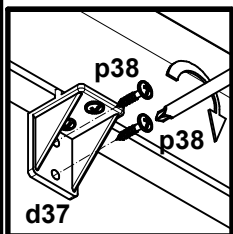
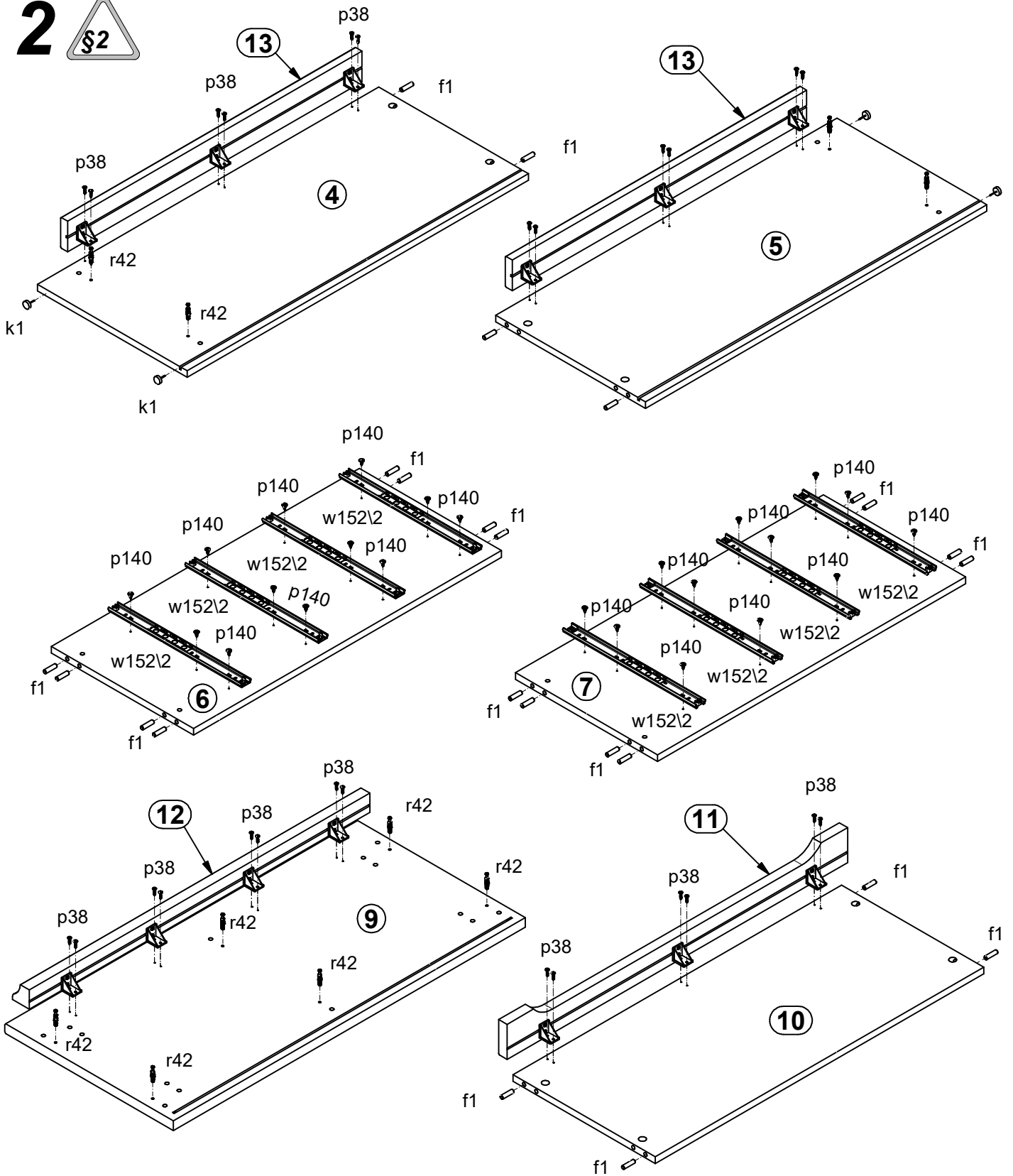


8x c477/1	8x c477/2	13x d37	26x Ø8x30 mm f1	20x Ø6.5x40 mm f25	10x Ø6x30 mm f9	8x M4x20 mm j1	4x k1	10x 1.4x20 mm l1
8x i2	60x Ø3.5x12 mm p140	6x Ø3.5x16 mm p25	53x Ø3.5x16 mm p38	10x Ø15x12 mm #16 r1	20x Ø12x10.5 mm #12 r15	30x 20/11 r42	3x 333 mm t19	10x 350/580 mm w152/1
10x 350/580 mm w152/2	1x n26							

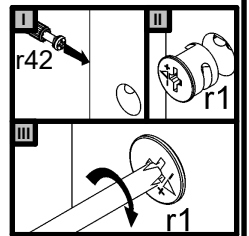
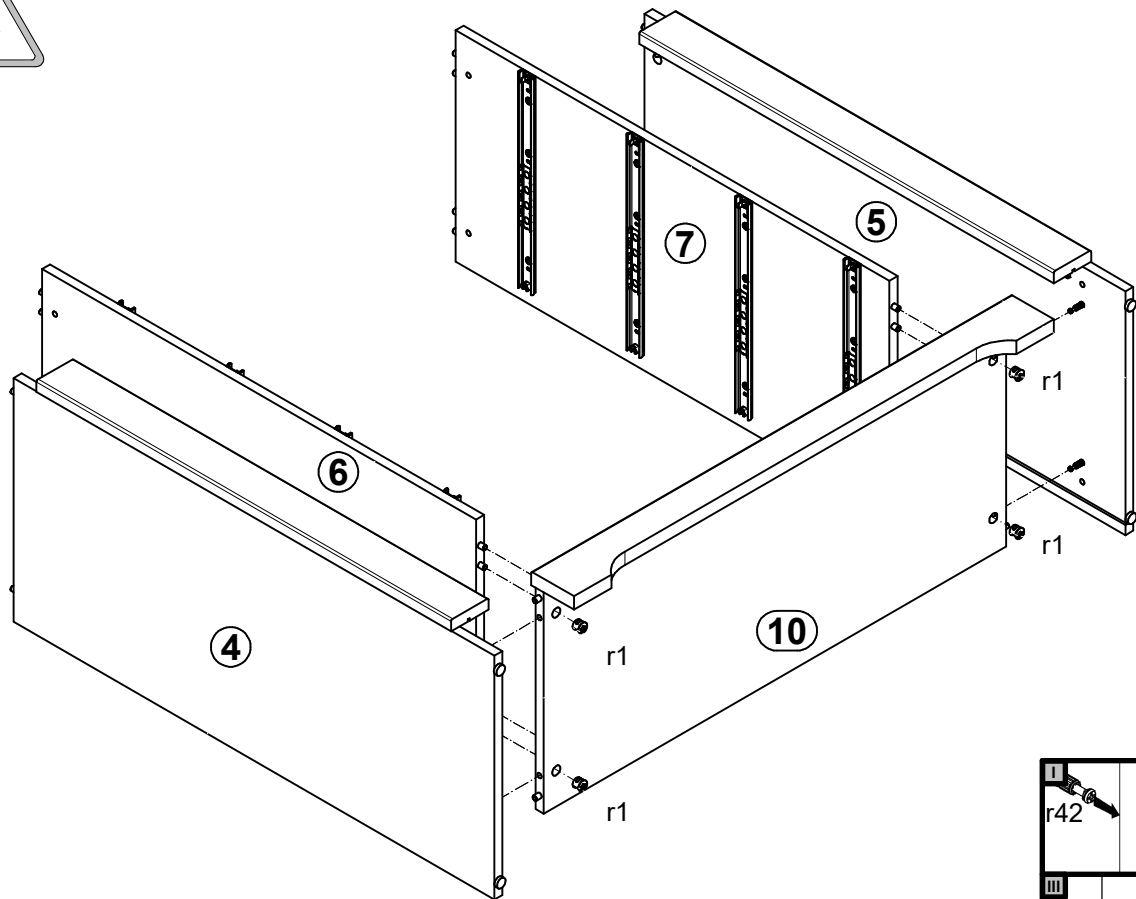
1 §2



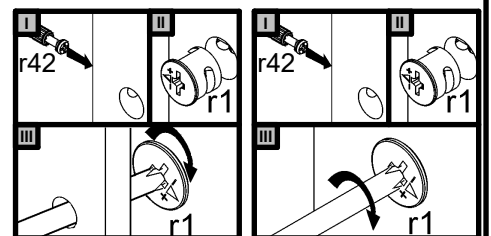
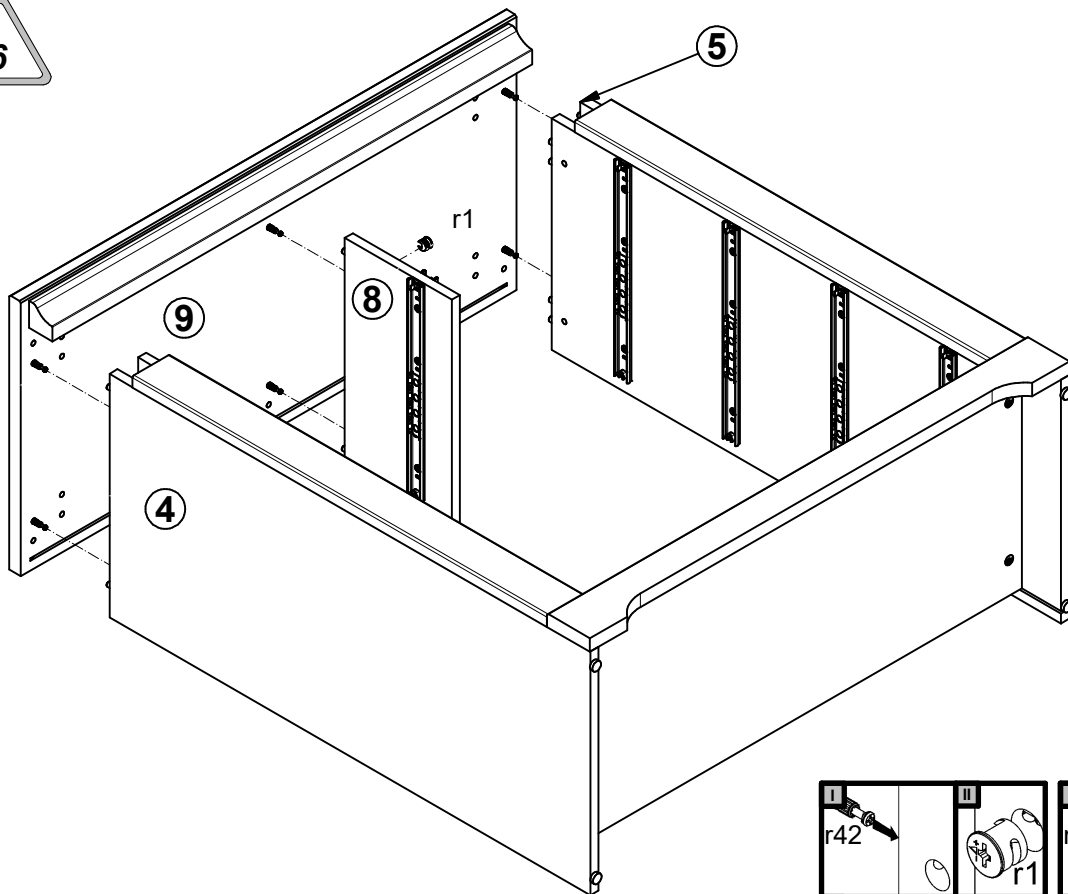
2



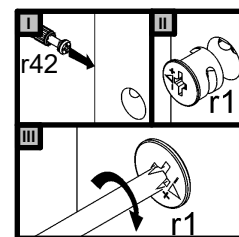
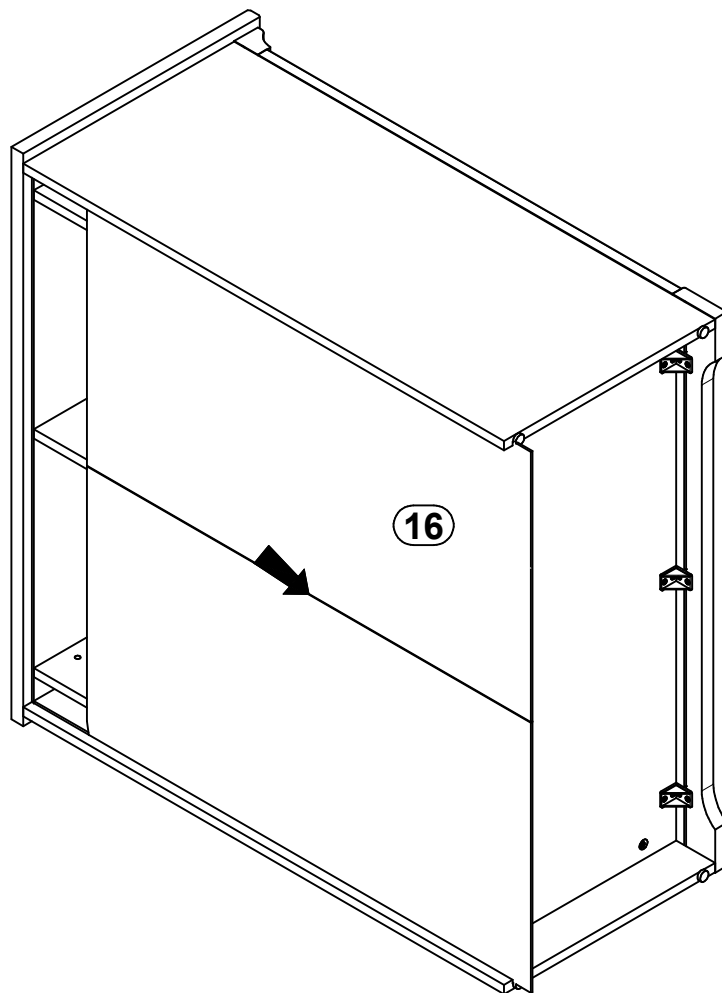
6



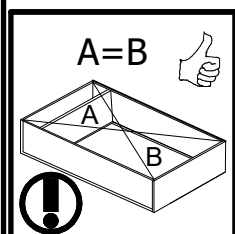
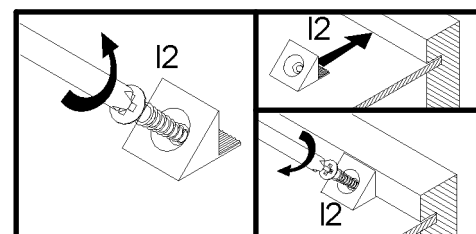
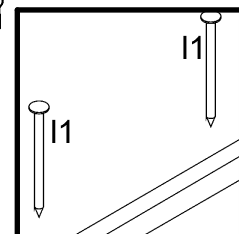
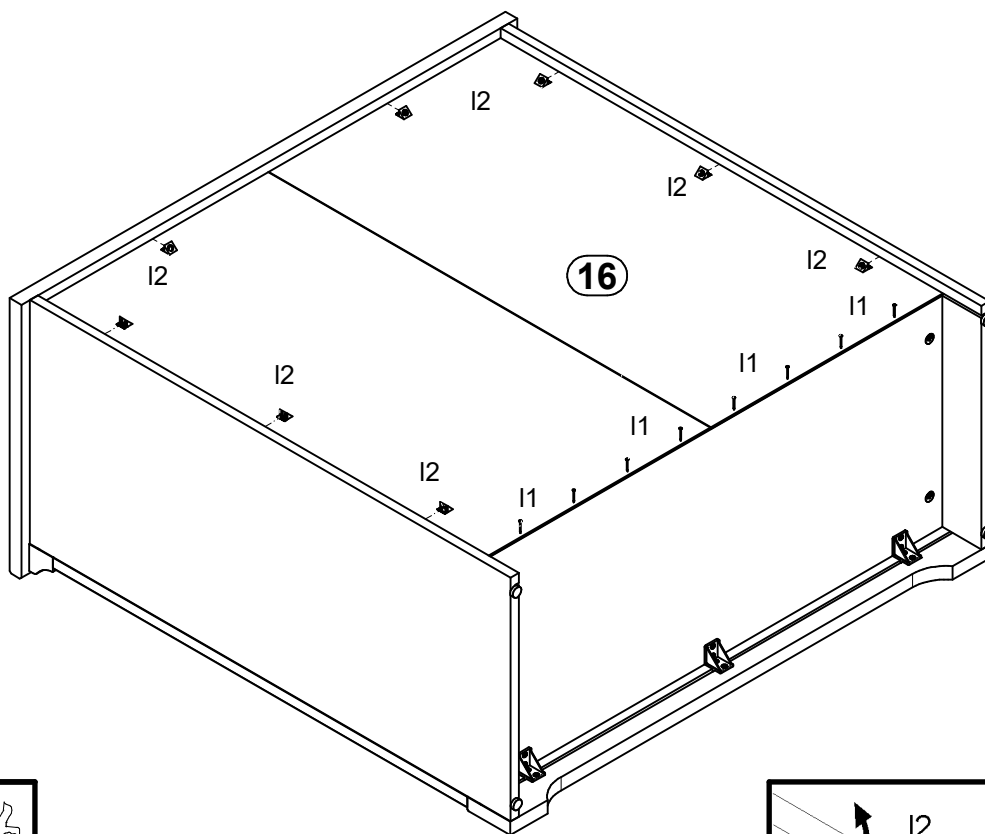
7



8



9



10

