

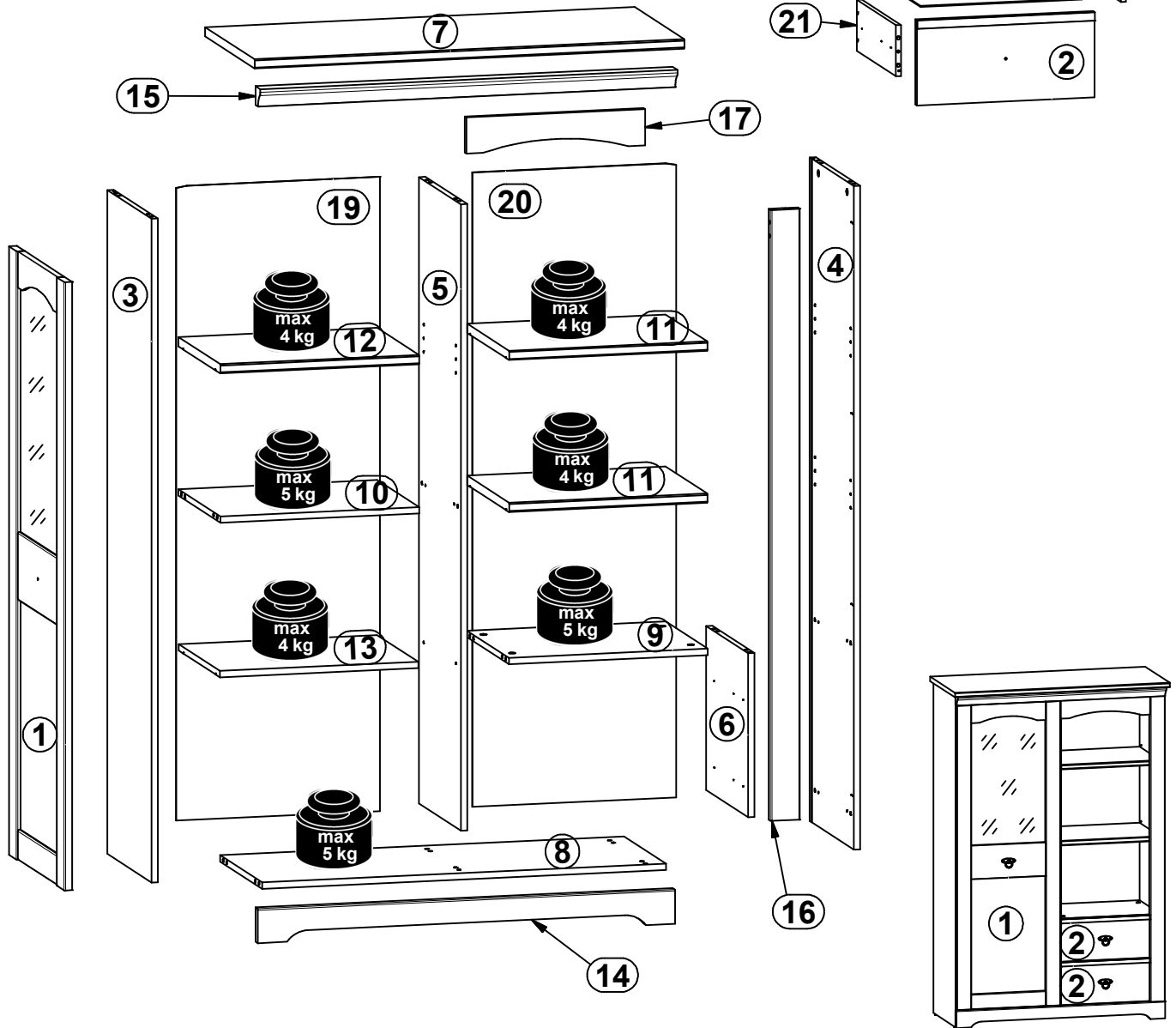
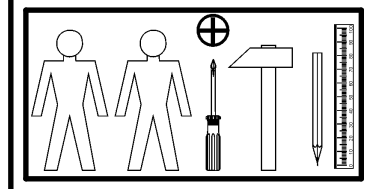
A

PATRAS

S405-REG1W2S

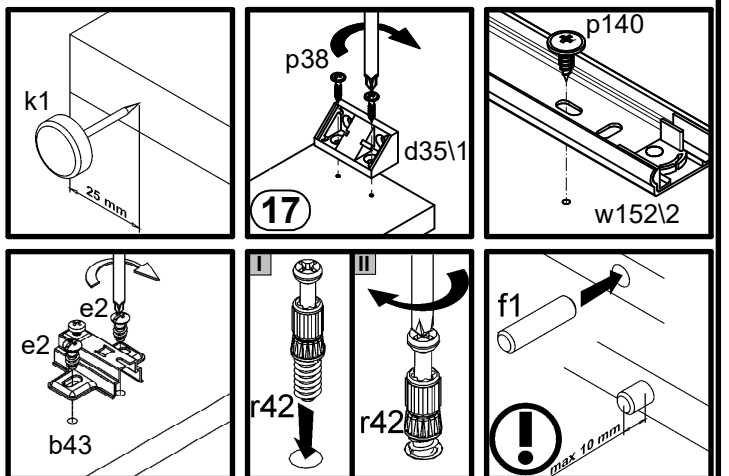
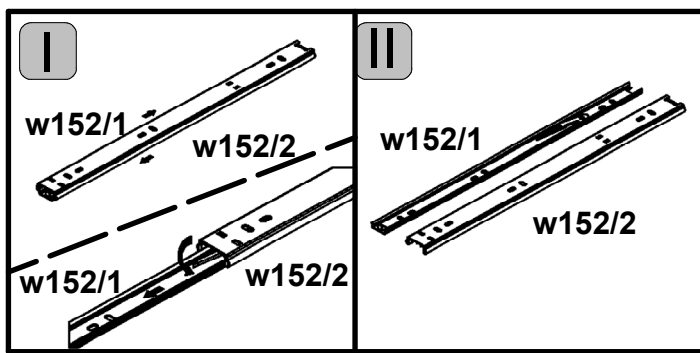
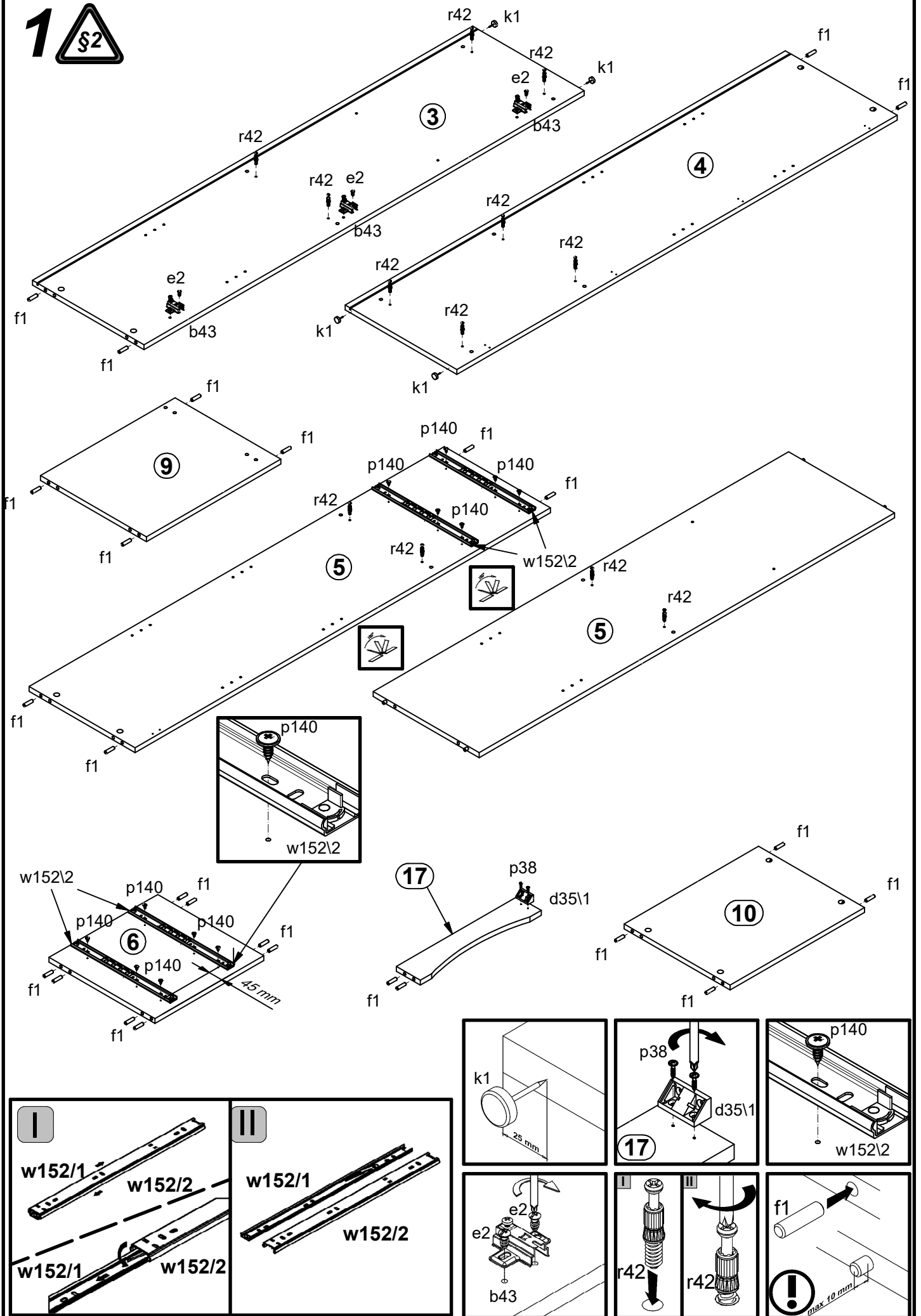
A	B	C	D
1	S405-0017	1428	496 3/3
2	S405-0018	425	200 1/3
3	S405-1027	1558	395 2/3
4	S405-1028	1558	395 2/3
5	S405-1029	1470	375 2/3
6	S405-1030	385	375 2/3
7	S405-2008	1029	445 1/3
8	S405-3017	967	375 1/3
9	S405-3018	476	375 1/3
10	S405-3019	476	375 2/3
11	S405-3020	475	375 1/3
12	S405-3021	476	375 1/3

A	B	C	D
13	S405-3022	475	370 2/3
14	S405-5008	999	80 1/3
15	S405-5016	999	44 1/3
16	S405-5017	1434	70 2/3
17	S405-5018	428	85 1/3
18	S405-9007	387	348 1/3
19	S405-9008	1489	488 3/3
20	S405-9009	1489	488 3/3
21	ZK1-503	350	120 2/3
22	ZK1-504	350	120 2/3
23	ZS4-5526	377	120 2/3



1x a133	3x a158 Ø35 mm 90°	3x b43	3x c477/1	3x c477/2	16x d1 Ø5x17 mm	1x d35/1	1x d35/2	11x d37
2x e1 Ø7x50 mm	7x e2 Ø6,3x13 mm	30x f1 Ø8x30 mm	8x f25 Ø6,5x40 mm	4x f9 Ø6x30 mm	2x j1 M4x20 mm	1x j30 M4x22 mm	4x k1	1x k38/10 30x30/70 mm
1x k38/3 42,5x42,54 mm	20x l1 1,4x20 mm	14x l2	6x n108 22x9,5x20,7 mm	24x p140 Ø3,5x12 mm	52x p38 Ø3,5x16 mm	6x p51 Ø2,9x15 mm	6x p55 Ø2,9x16 mm	18x r1 Ø15x12 mm #16
8x r15 Ø12x10,5 mm #12	26x r42 20/11	4x w152/1 350/580 mm	4x w152/2 350/580 mm	10x s2 Ø16	1x z1 4 mm	1x n26/1	1x p38 Ø3,5x16 mm	

1 

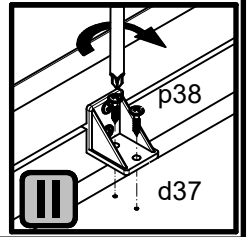
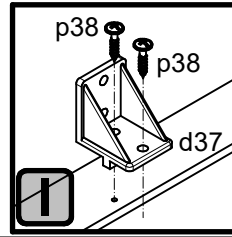
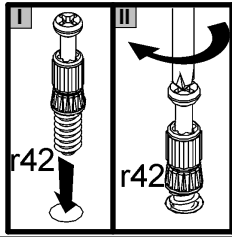
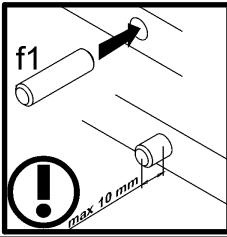
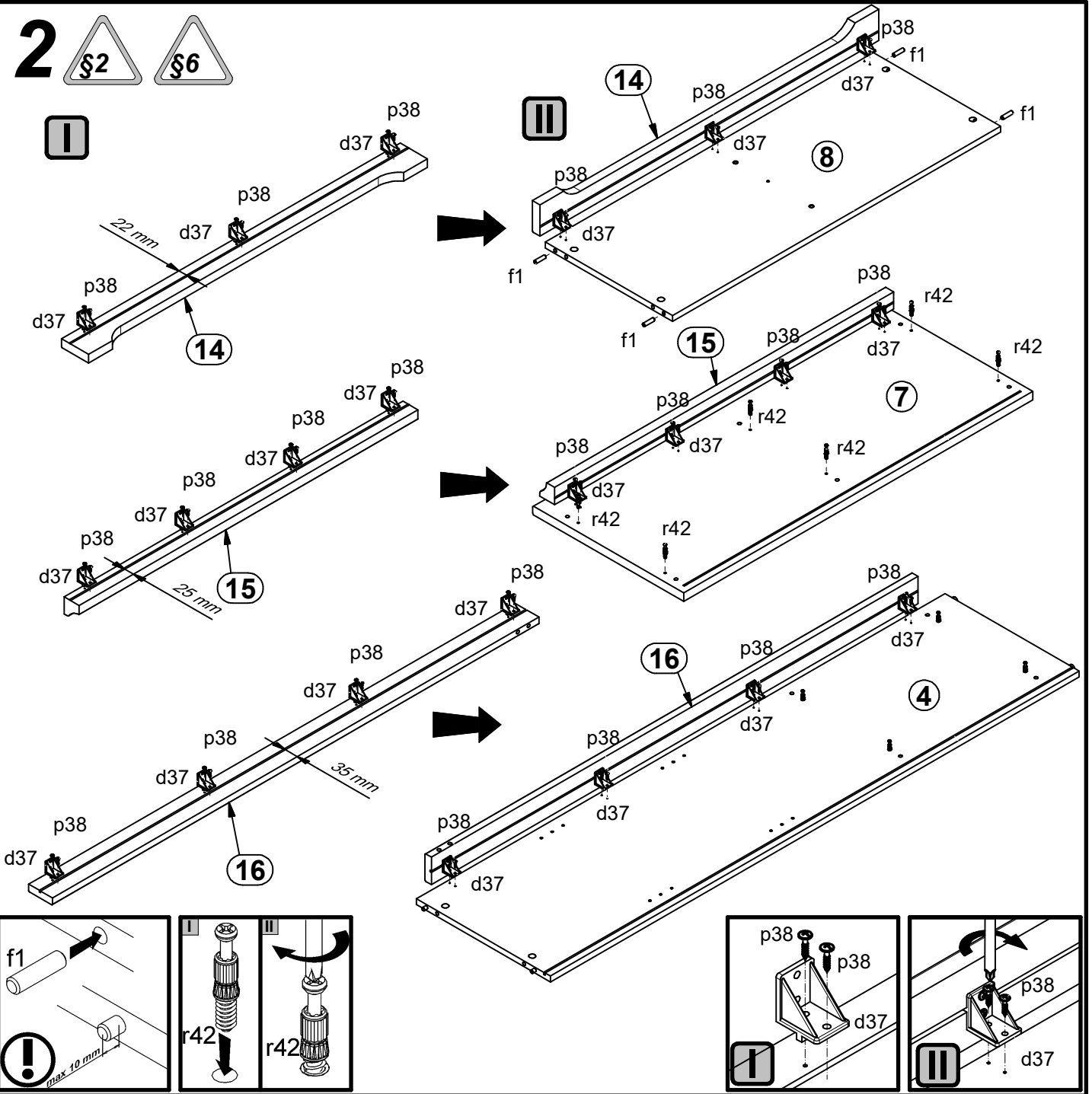


2

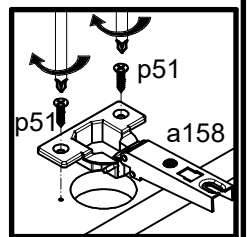
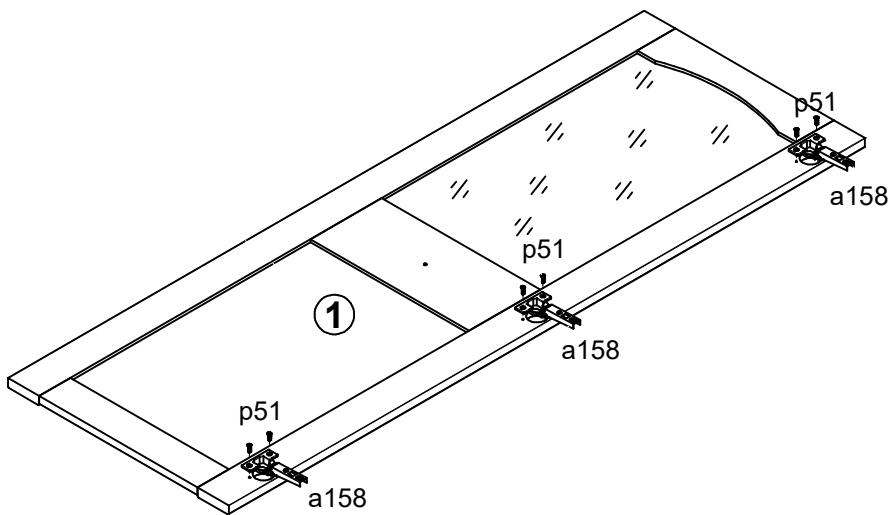


I

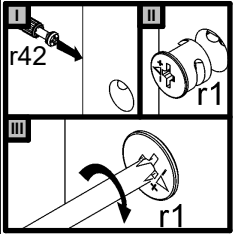
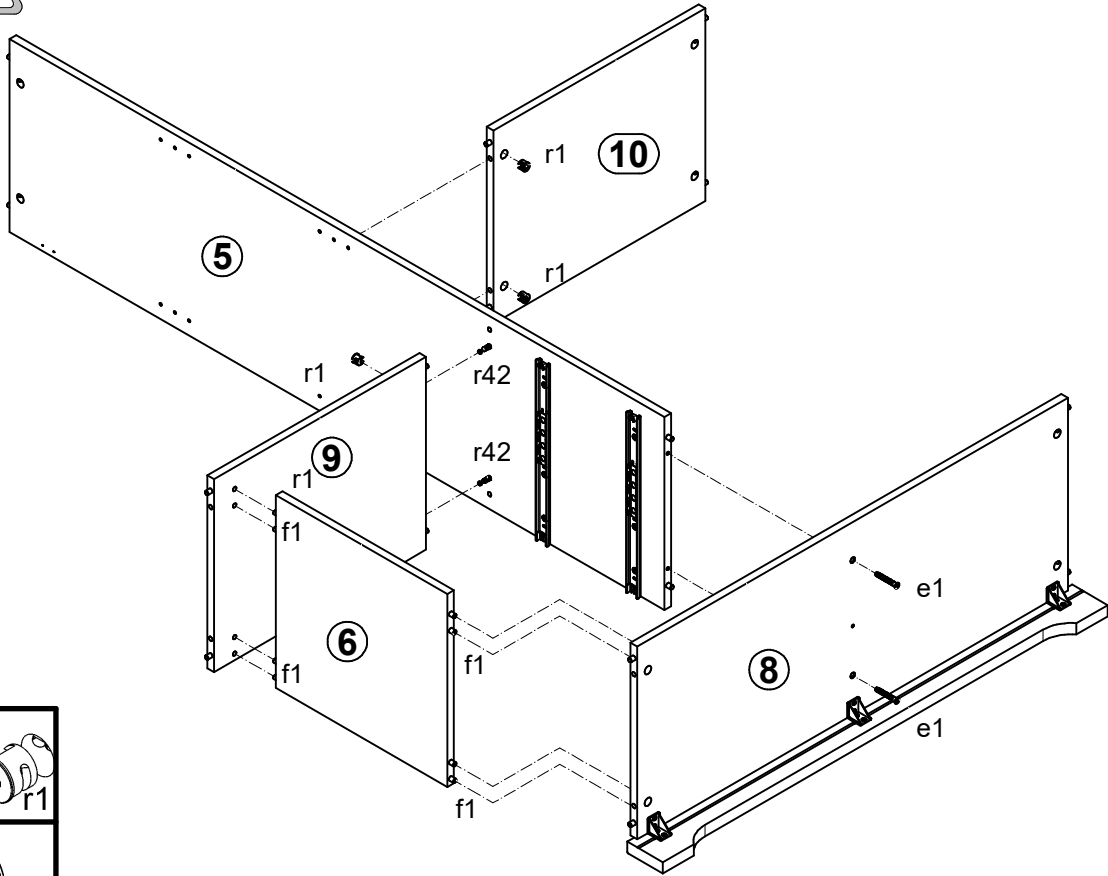
II



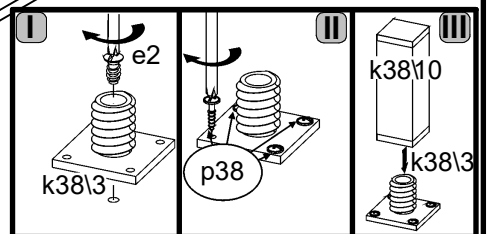
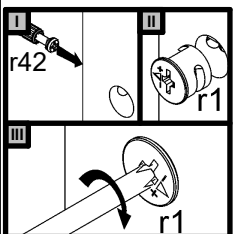
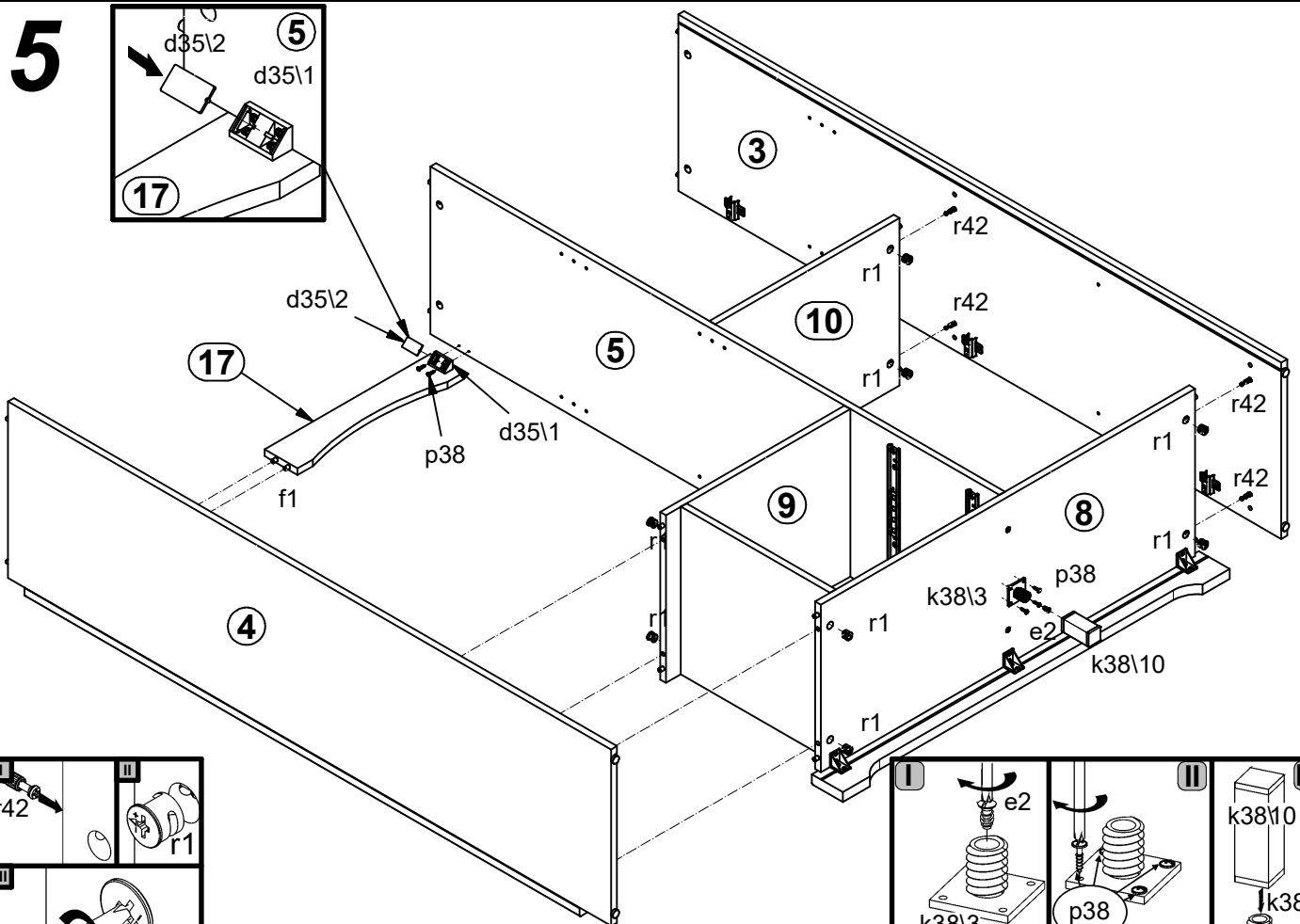
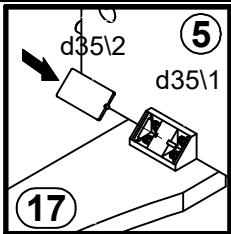
3



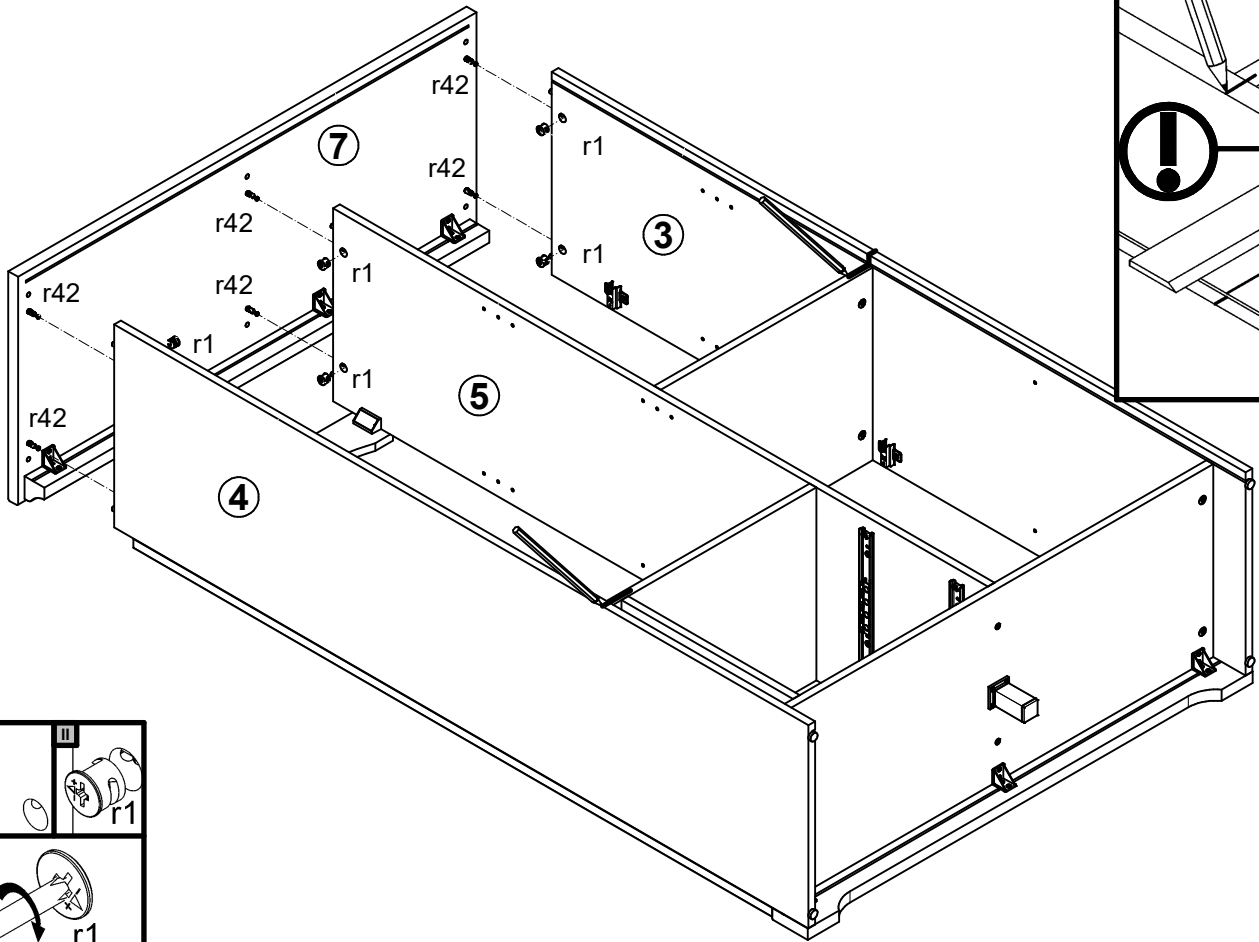
4



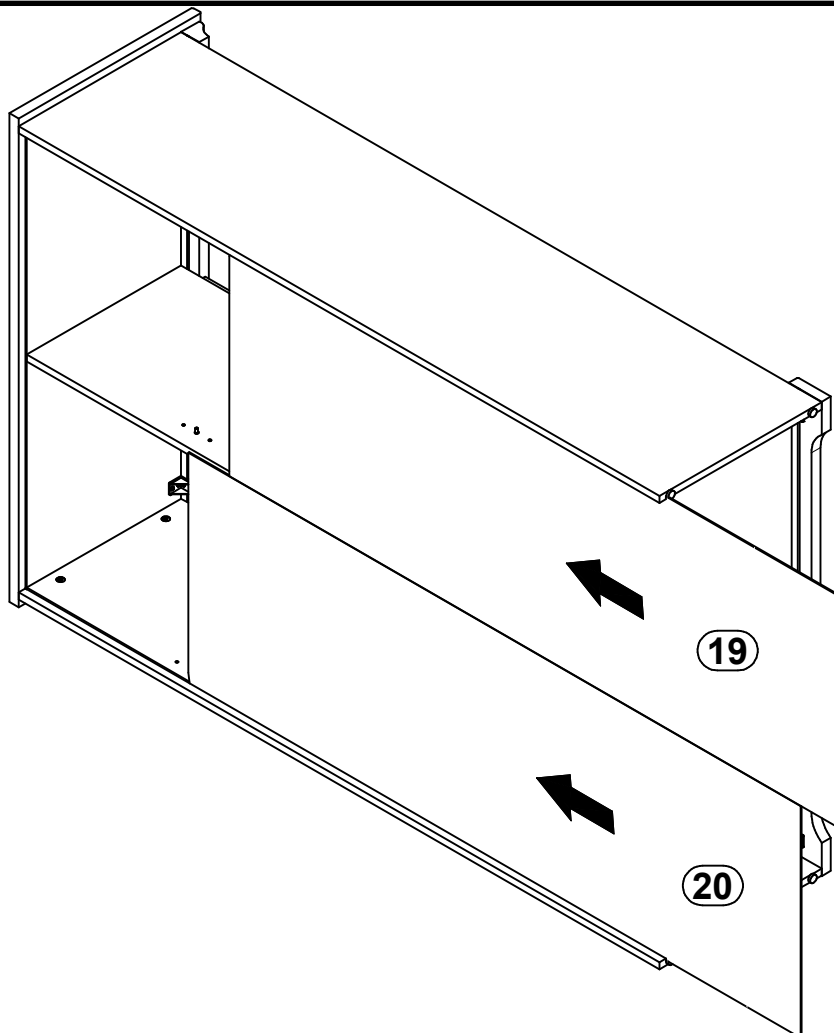
5



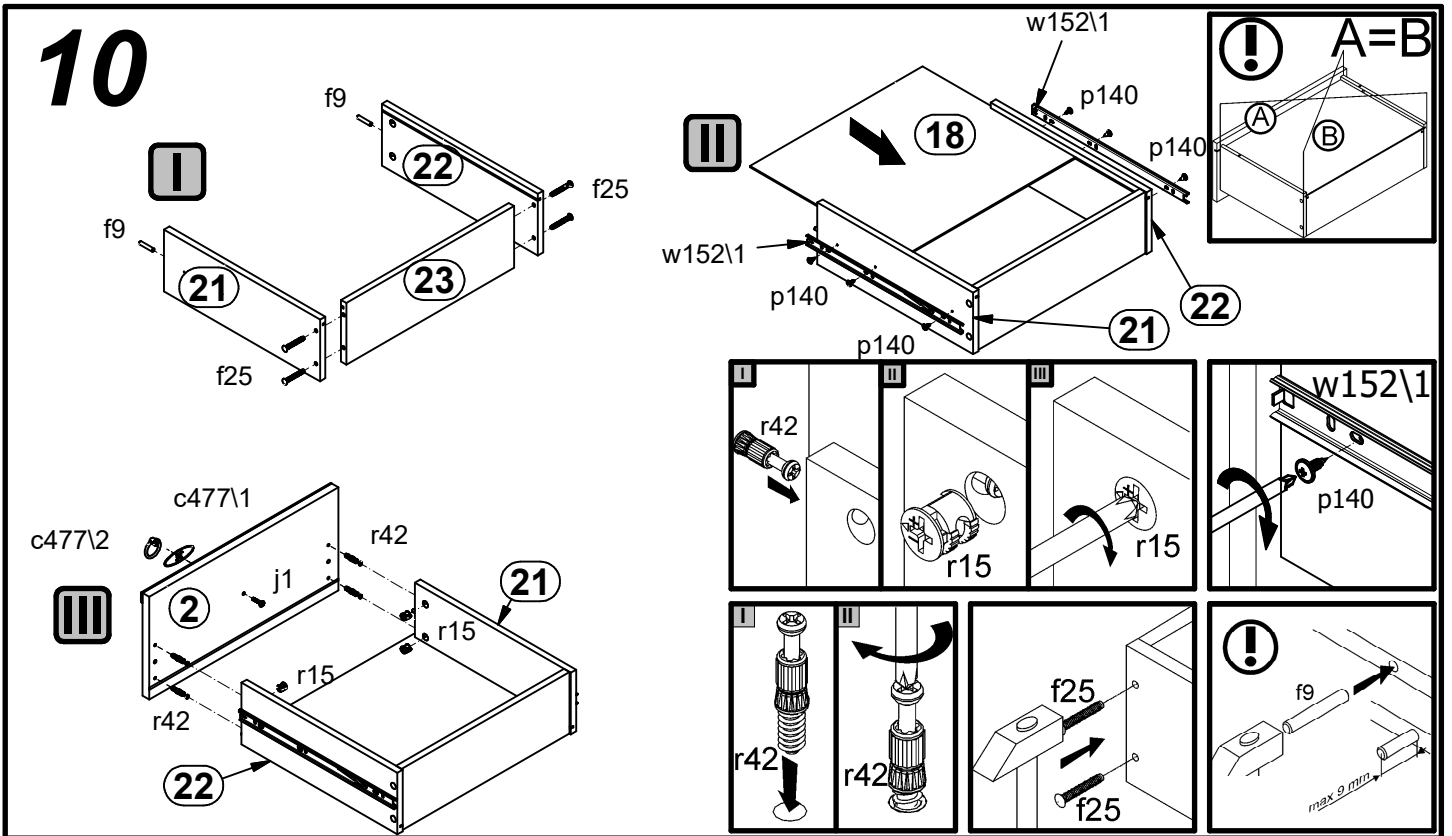
6



7



10



11

