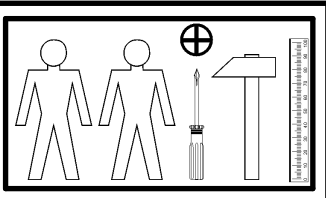
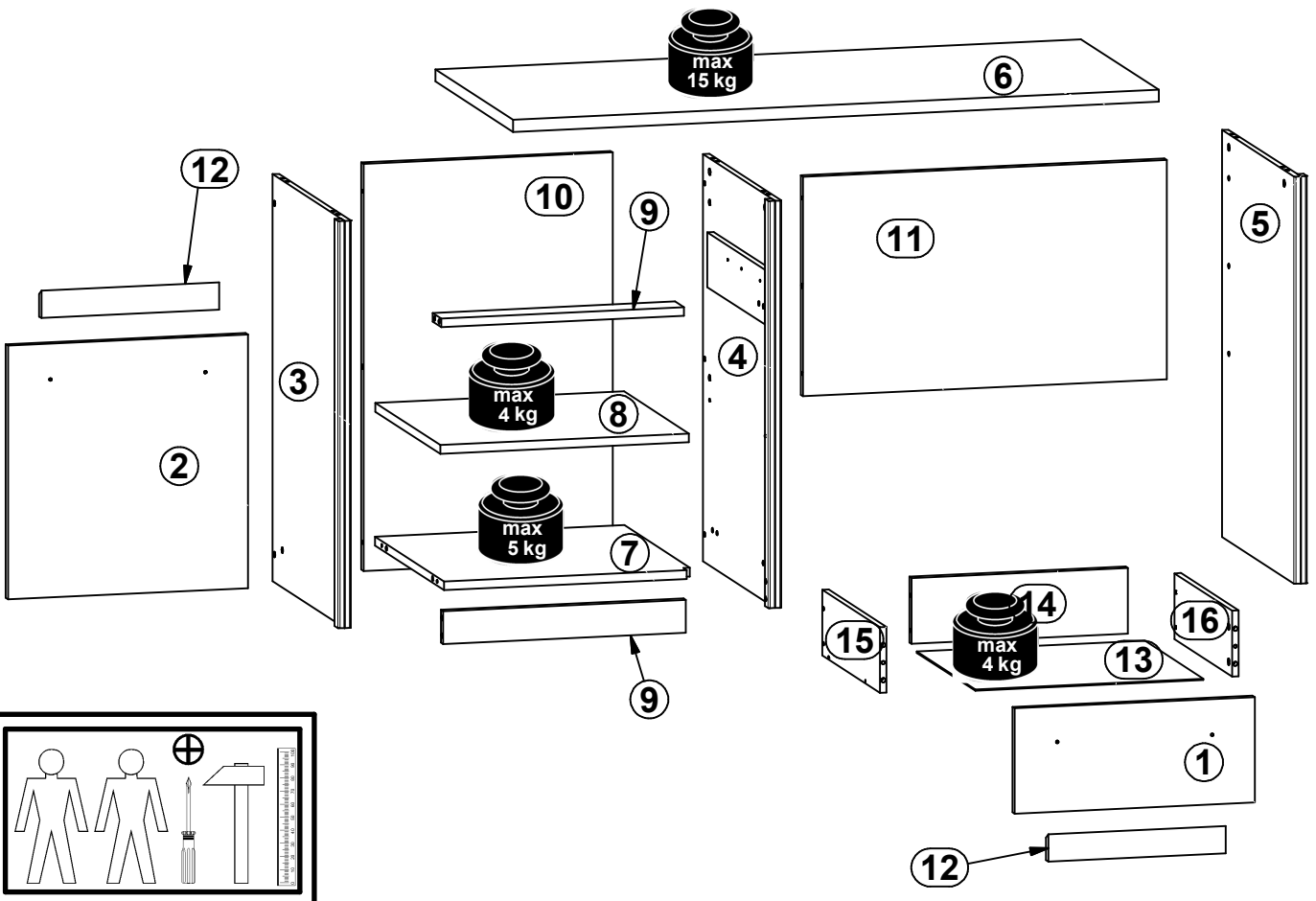
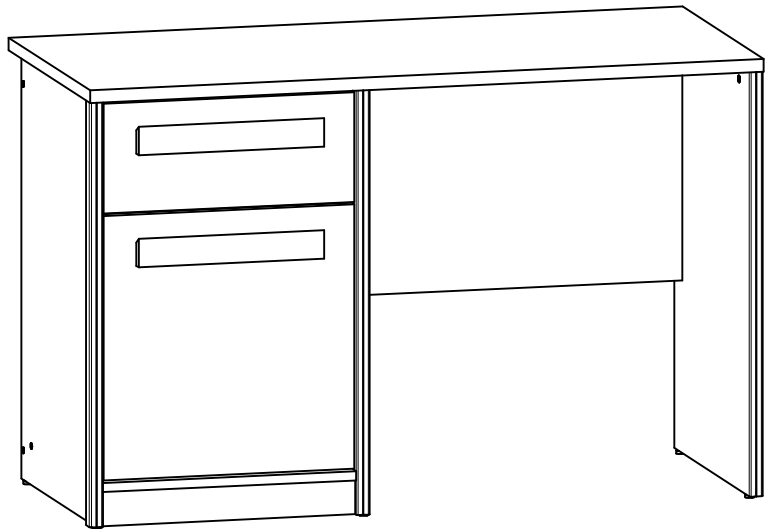
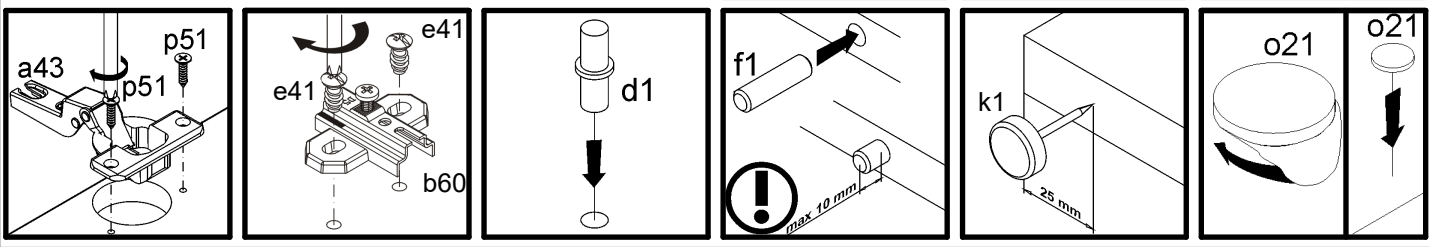
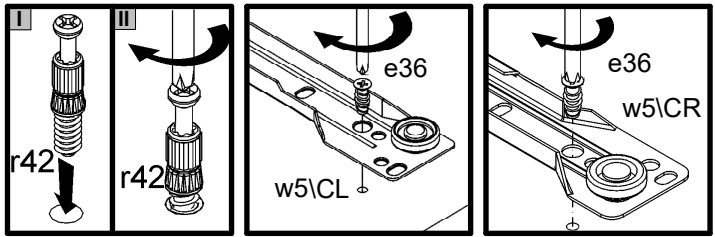
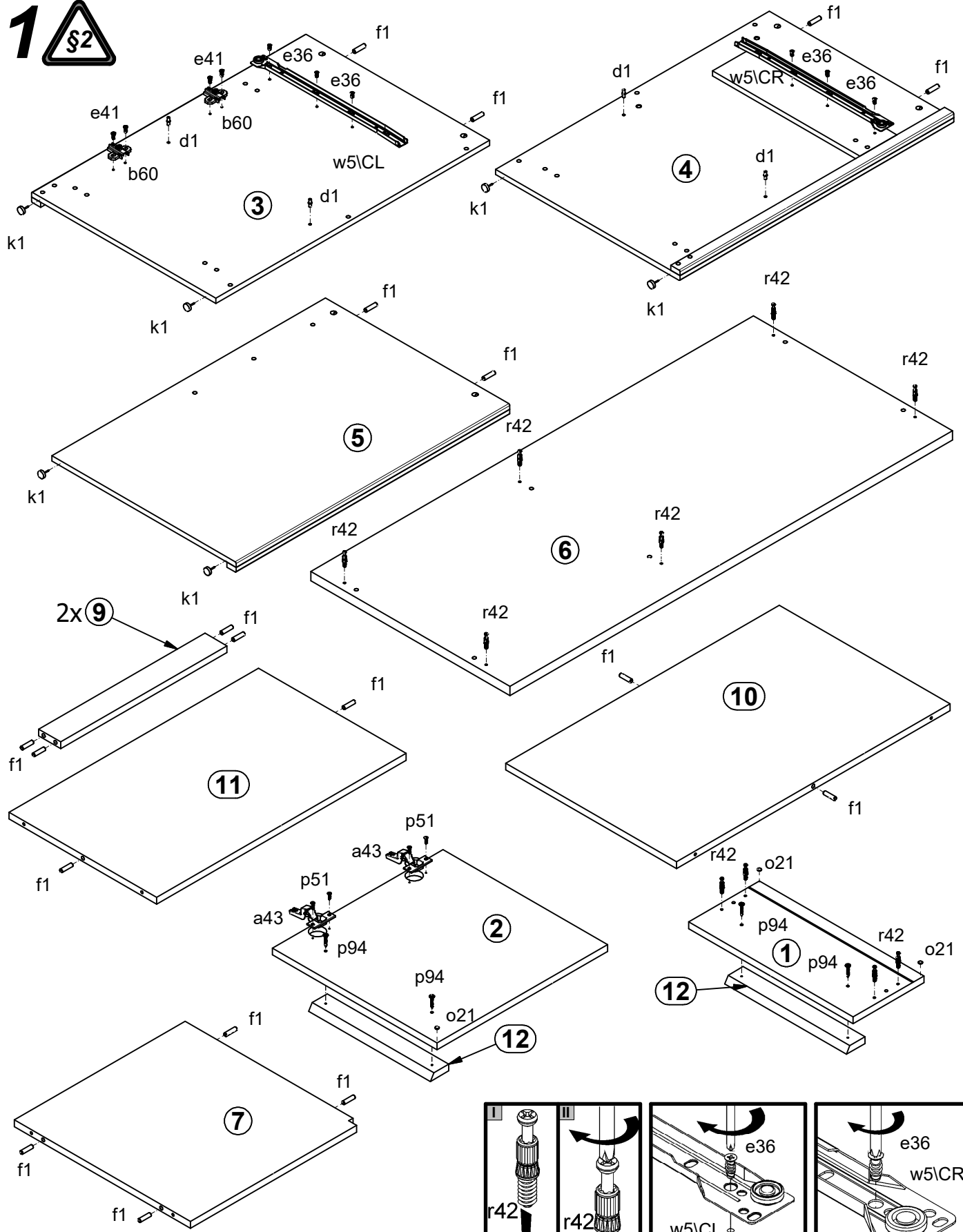


A	B	C	D
1	S412-0012	446	192, 1/2
2	S412-0013	462,	446, 2/2
3	S412-1014	742	500 1/2
4	S412-1015	742	500 1/2
5	S412-1017	742	500 1/2
6	S412-2006	1200	540 2/2
7	S412-3015	463	477 2/2
8	S412-3016	462	450 2/2
9	S412-4005	451	60 2/2
10	S412-4008	742	463 2/2
11	S412-4009	676	400 1/2
12	S412-5702	330,	50, 2/2
13	S412-9005	424,	405, 1/2
14	ZS3-5502	402	120 1/2
15	ZS4-503	400	120 1/2
16	ZS4-504	400	120 1/2

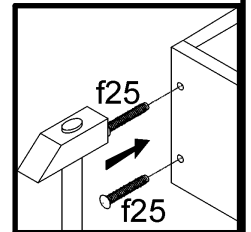
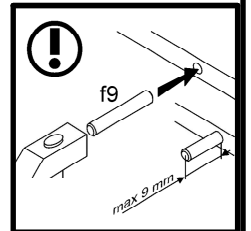
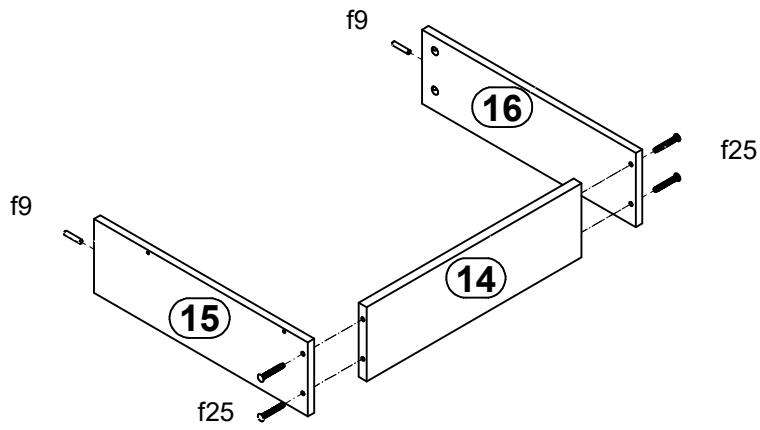


2x K16 a43	2x D5 b60	4x Ø5x17 mm d1	12x Ø7x50 mm e1	4x Ø5x9 mm e19	6x Ø6x11 mm e36	4x Ø5x12 mm e41	22x Ø8x30 mm f1	4x Ø6.5x40 mm f25
2x Ø6x30 mm f9	6x k1	3x silikon o21	3x Ø3.5x16 mm p38	4x Ø3.5x15 mm p51	4x Ø4x28 mm p94	10x Ø12x10.5 mm #12 r15	10x 20-11 r42	1x 400 mm w5\CL
1x 400 mm w5\CR	1x 400 mm w5\DL	1x 400 mm w5\DR	11x s1	4x Ø12 s34	1x 4 mm z1			

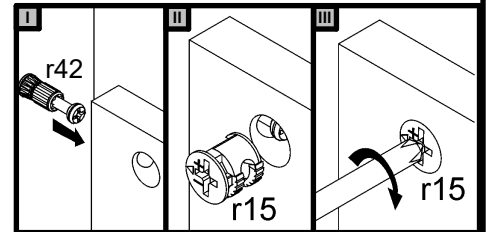
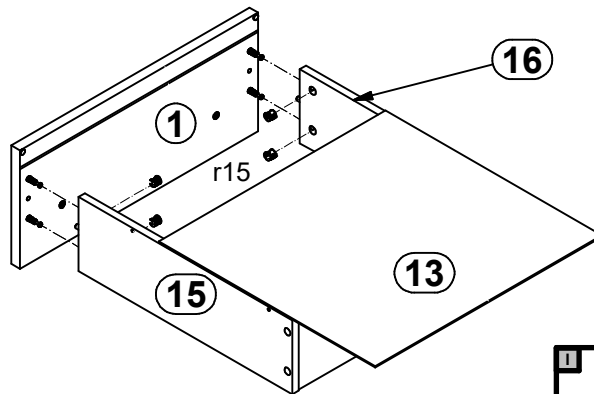
**1** 



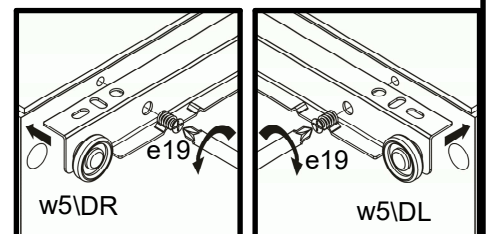
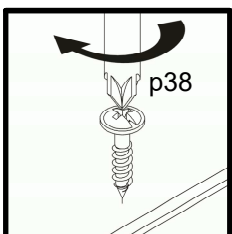
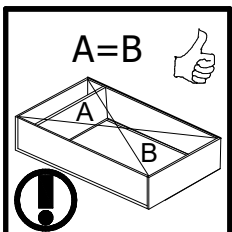
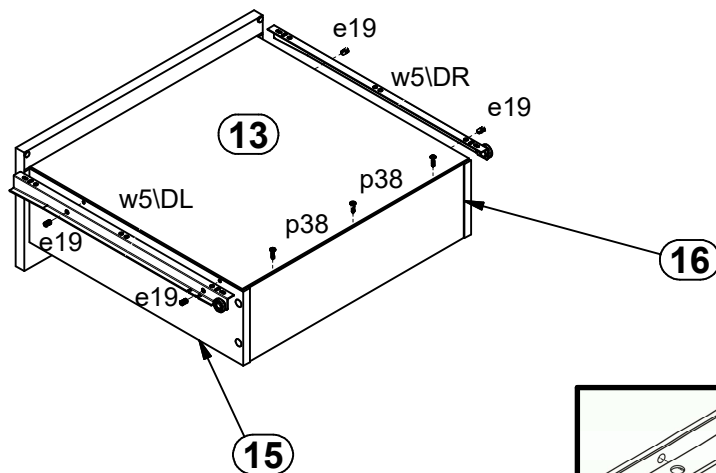
# 2



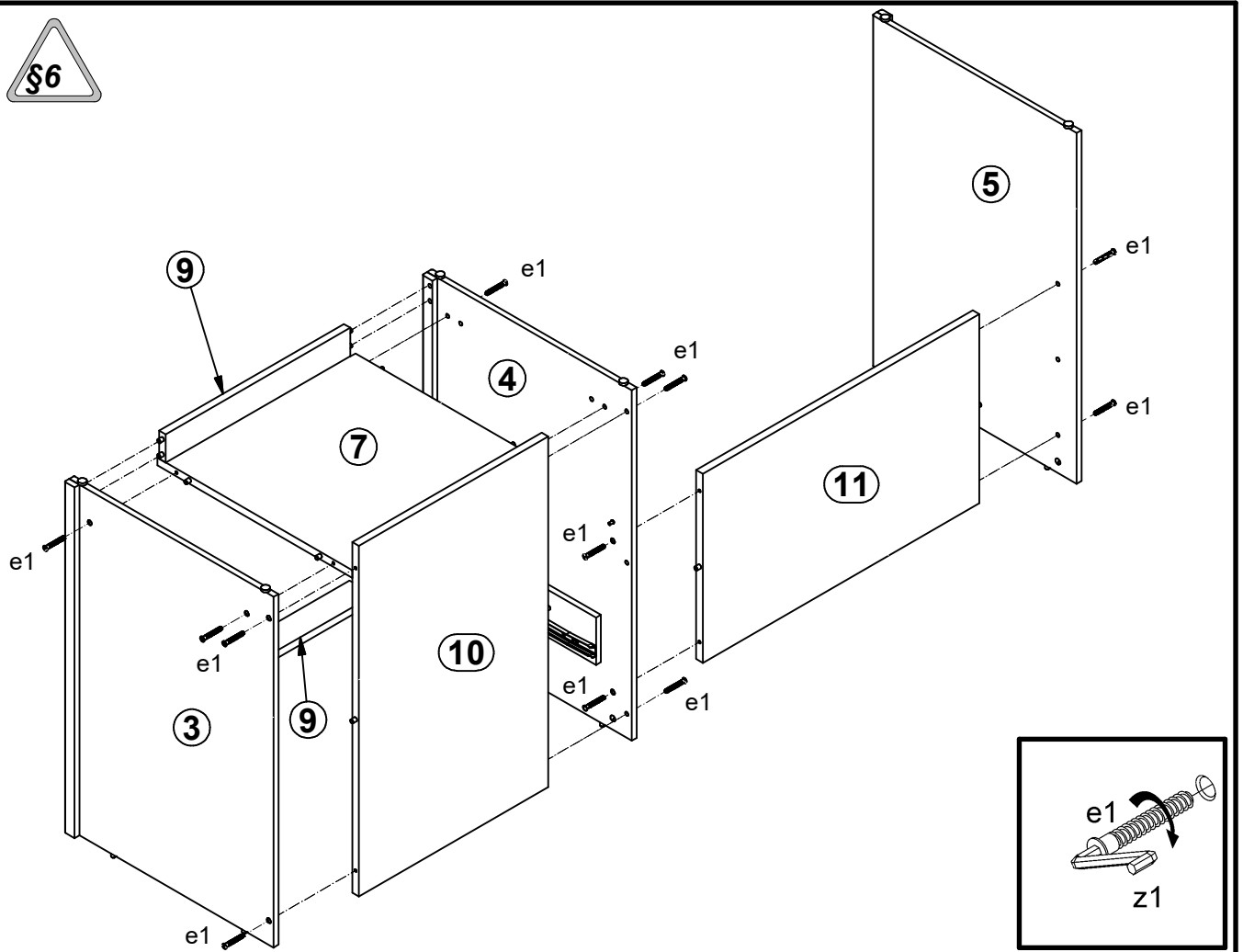
# 3



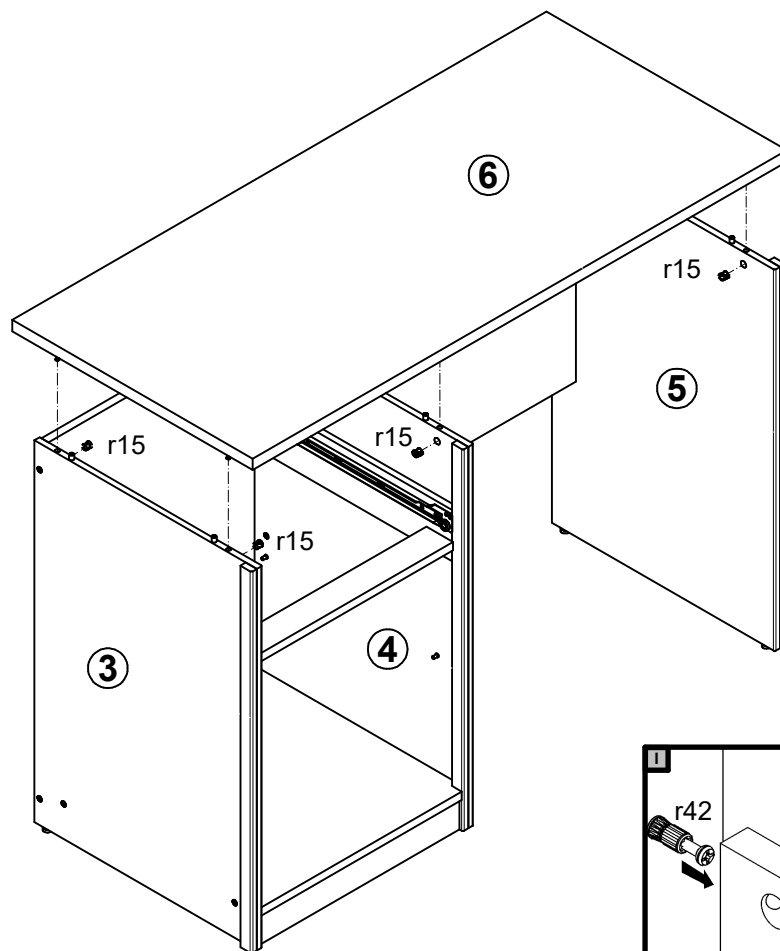
# 4



# 5



# 6



# 7

