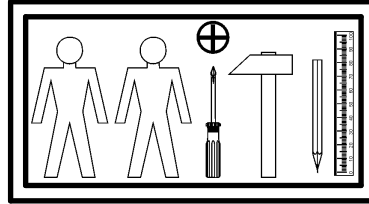


A

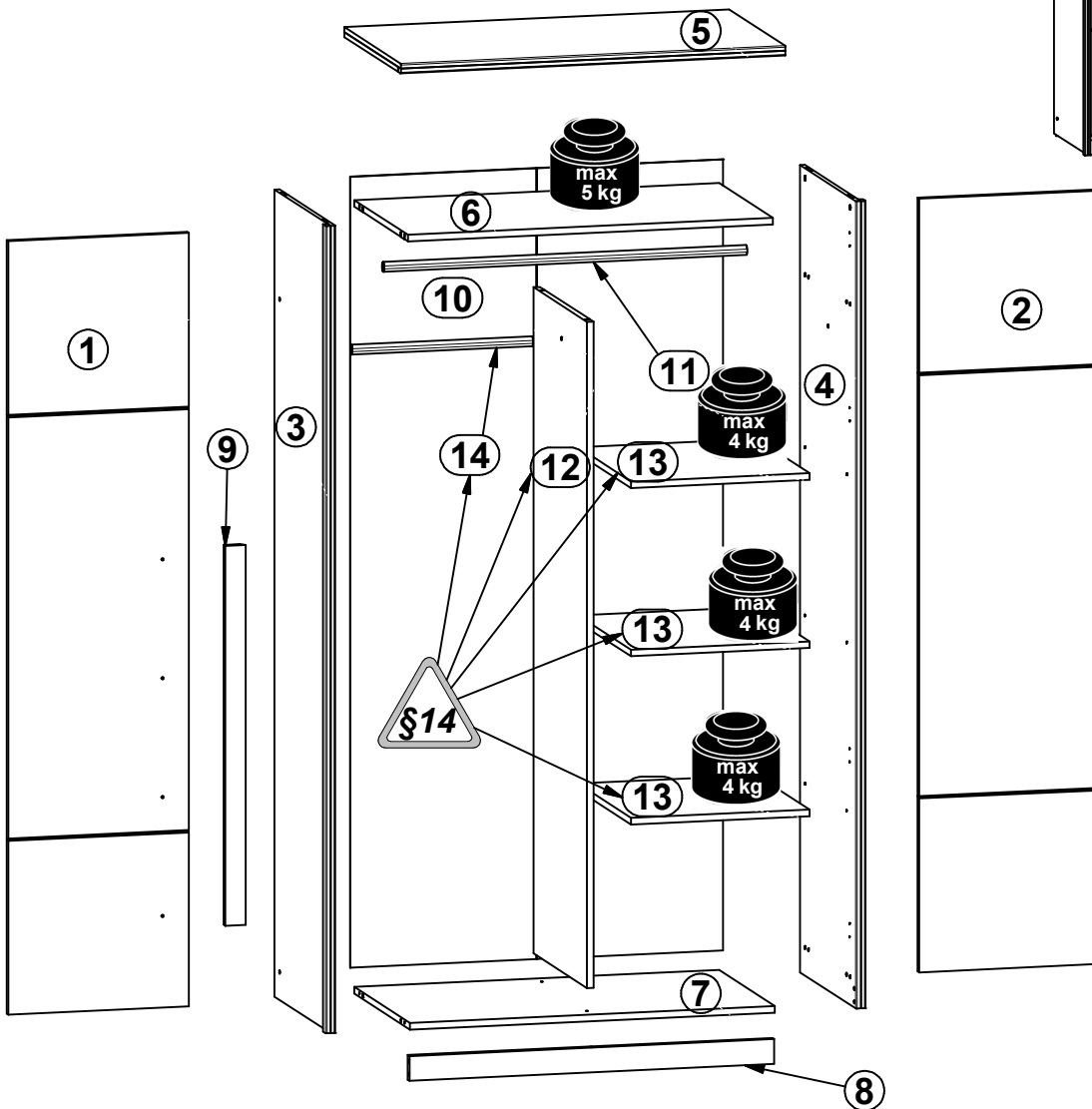
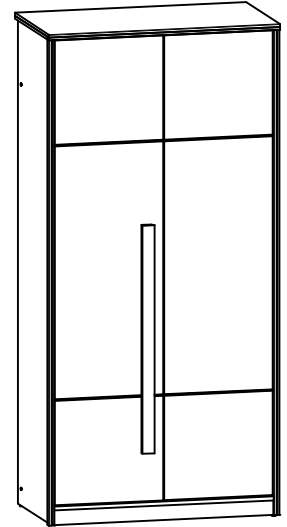
NAMEK

S412-SZF2D/A

A	B	C	D
1	S412-0001	1874,	446 1/3
2	S412-0002	1874,	446 3/3
3	S412-1001	1956,	517 3/3
4	S412-1023	1956,	517, 1/3
5	S412-2001	950	520 2/3
6	S412-3021	901	495 2/3
7	S412-3022	901	514 2/3
8	S412-4001	901	60 2/3
9	S412-5701	920,	50, 2/3
10	S412-9301	1916,	921, 1/3
11	dr-897	897,	22 2/3



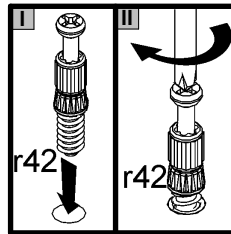
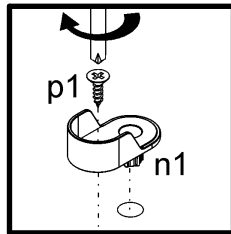
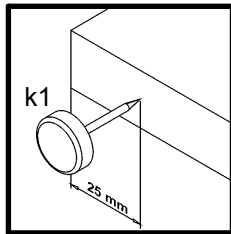
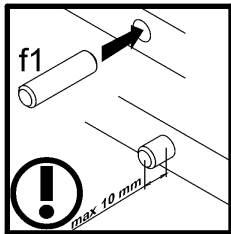
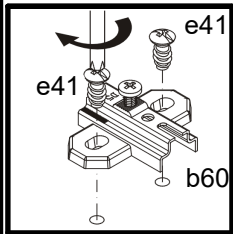
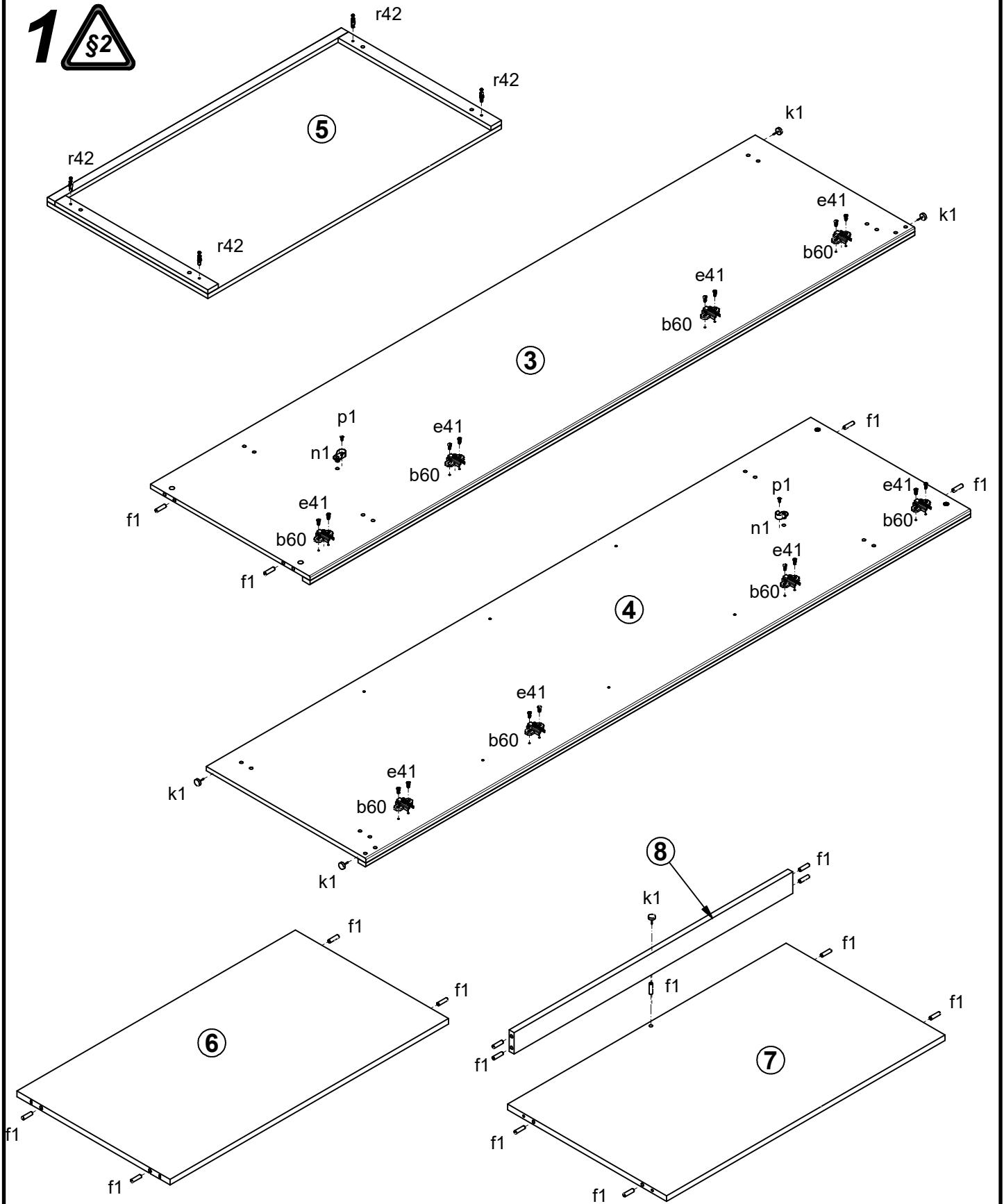
A	B	C	D
12	S412-1024	1614	494 1/1
13	S412-3023	441	489 1/1
14	dr-446	446,	22 1/1

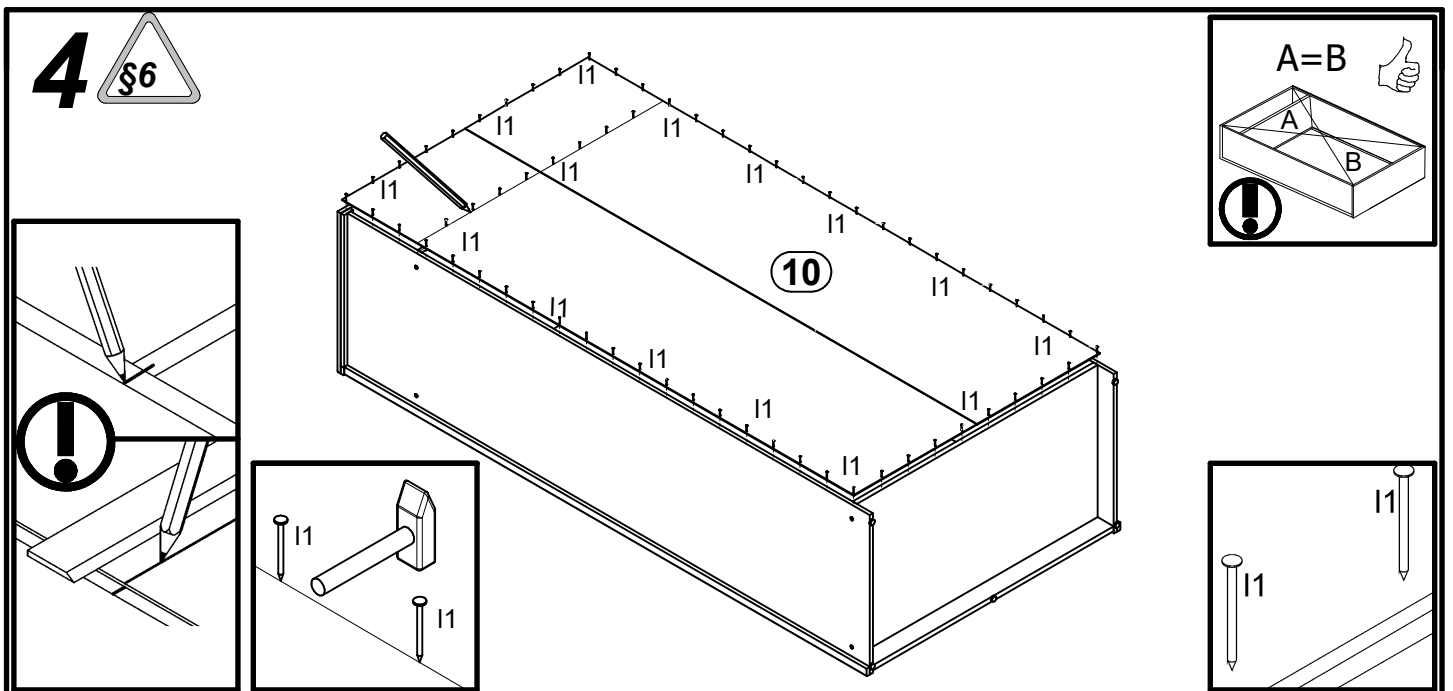
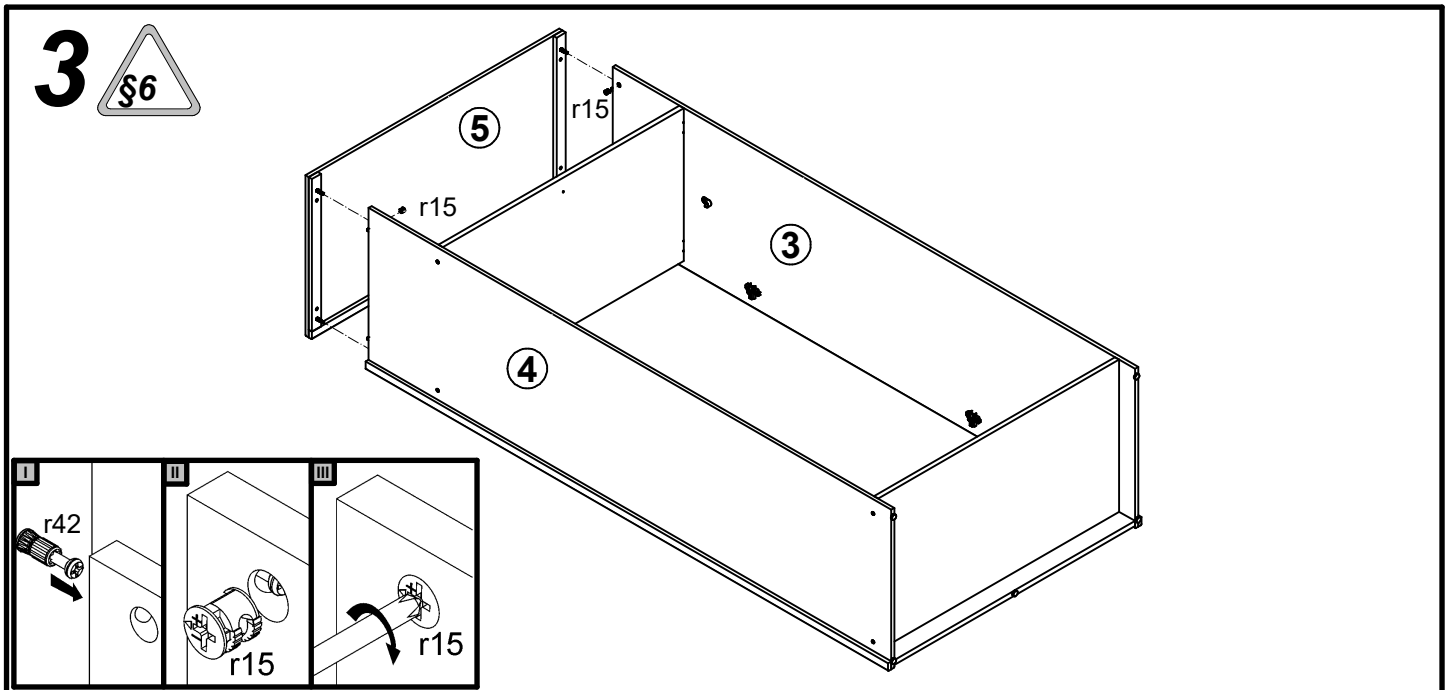
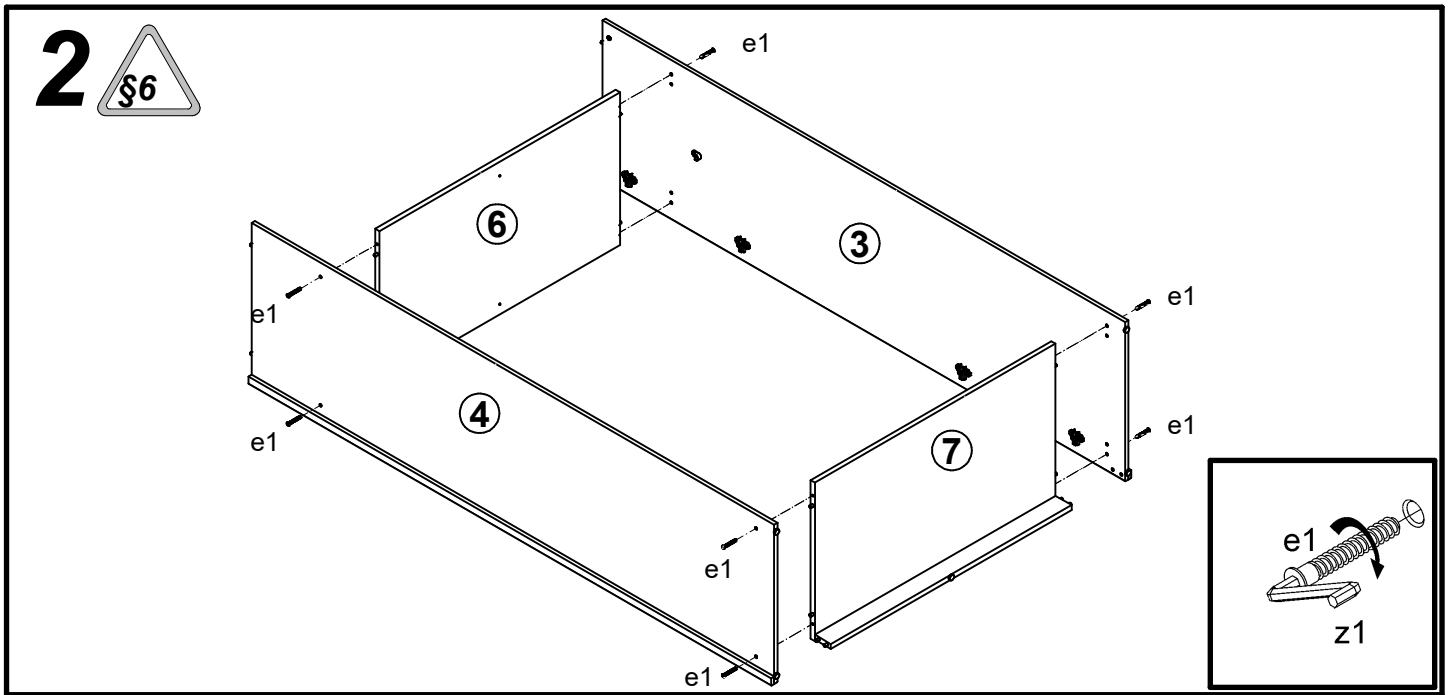


8x K16 a43	8x D5 b60	8x Ø7x50 mm e1	16x Ø5x12 mm e41	17x Ø8x30 mm f1	5x k1
65x 1.4x20 mm l1	2x h=22mm n1	2x silikon o21	2x Ø3,5x13 mm p1	16x Ø3,5x15 mm p51	4x Ø4x28 mm p94
4x Ø12x10,5 mm #12 r15	4x 20/11 r42	8x s1	4x Ø12 s34	1x 4 mm z1	1x n26
1x Ø3,5x16 mm p38					

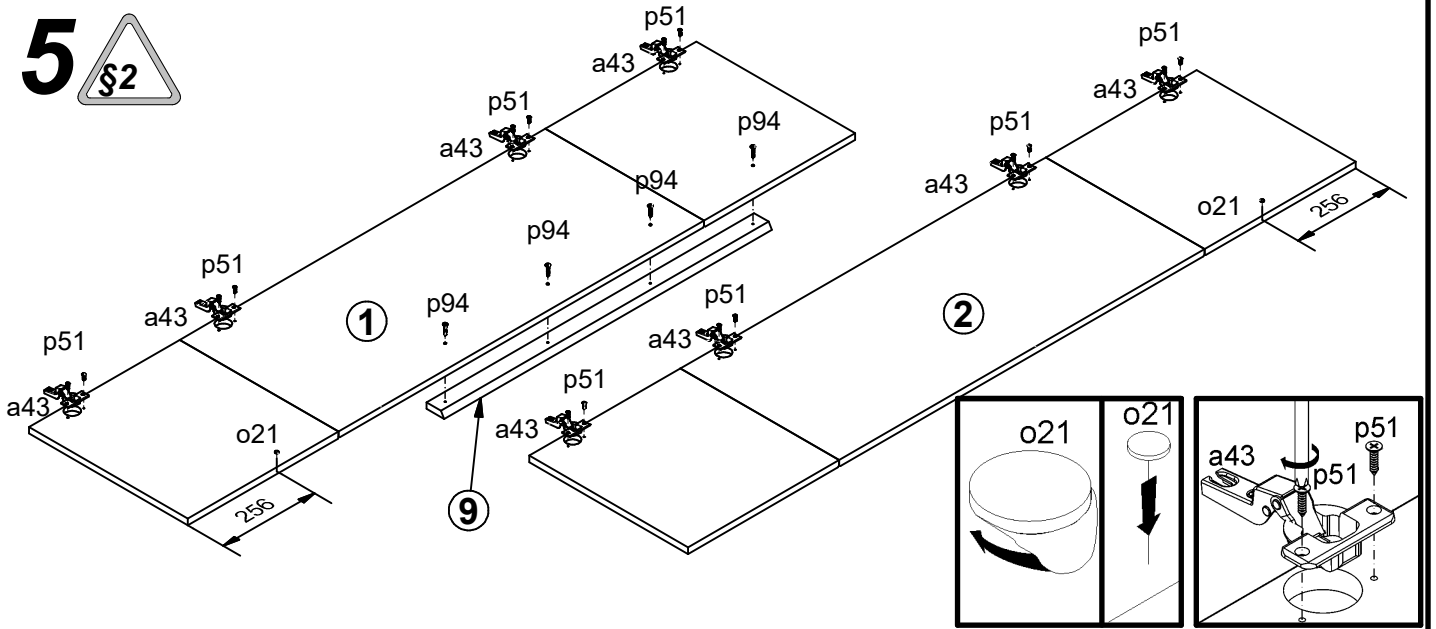
12x Ø5x17 mm d1	20x 1,4x20 mm l1
4x Ø20x12 mm #16 r36	4x 6,7/11 r57

1 

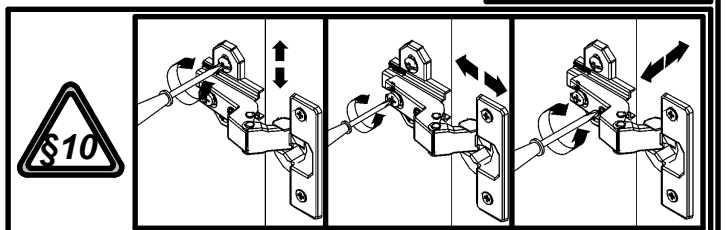
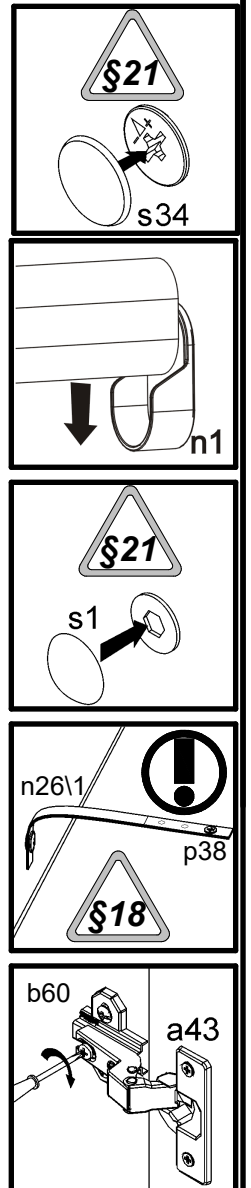
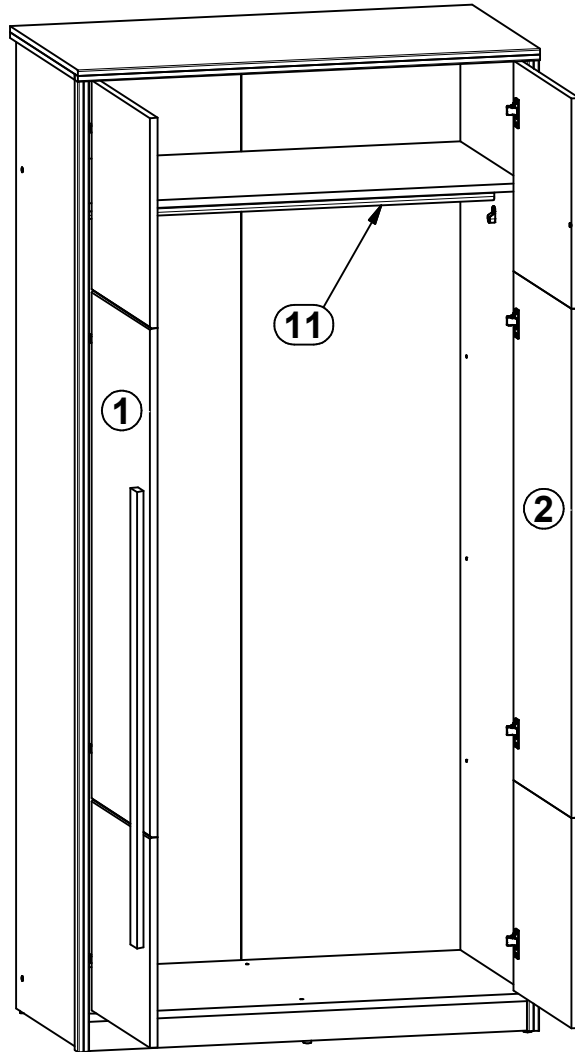




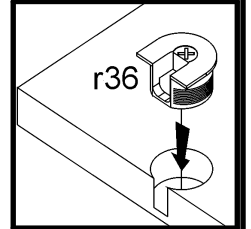
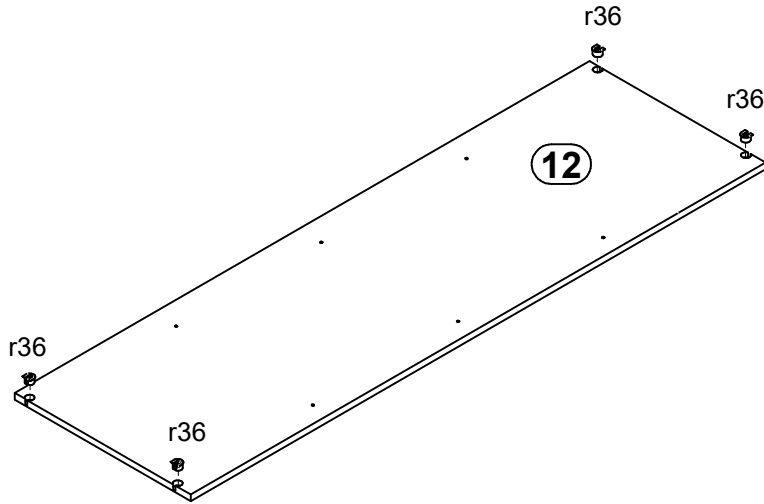
5



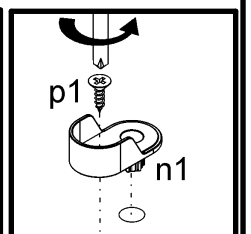
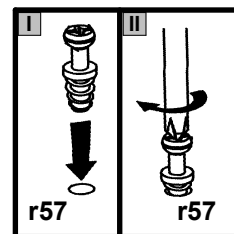
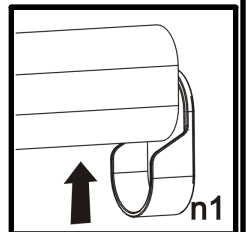
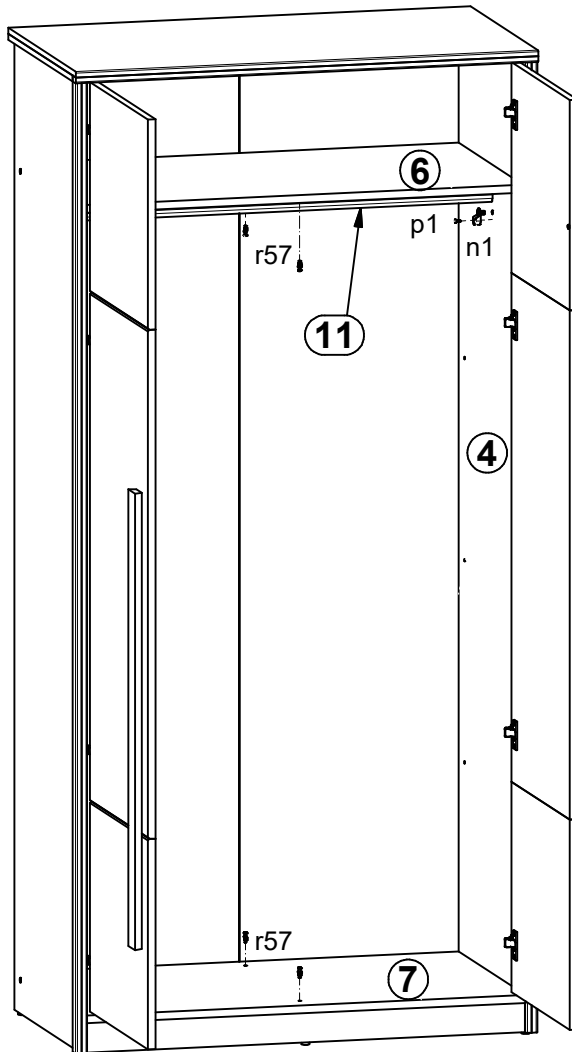
6



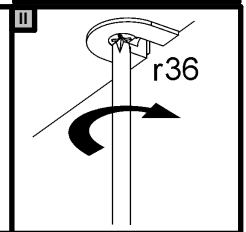
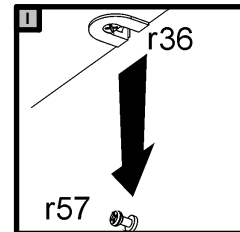
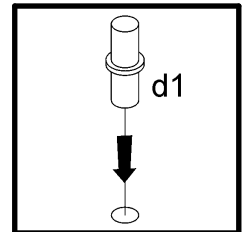
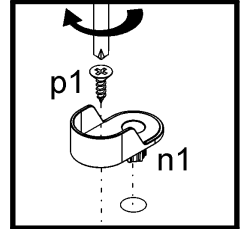
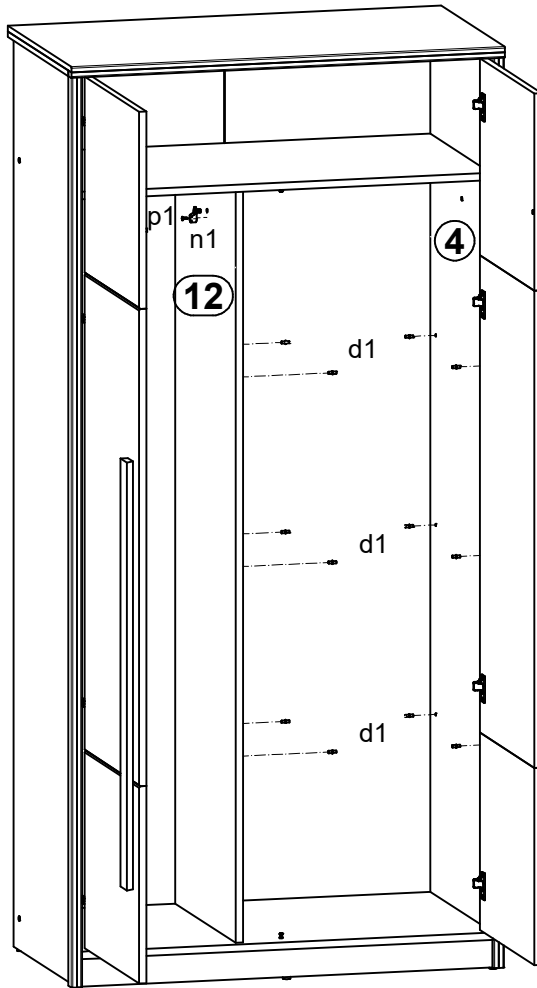
7 §14



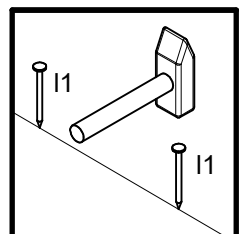
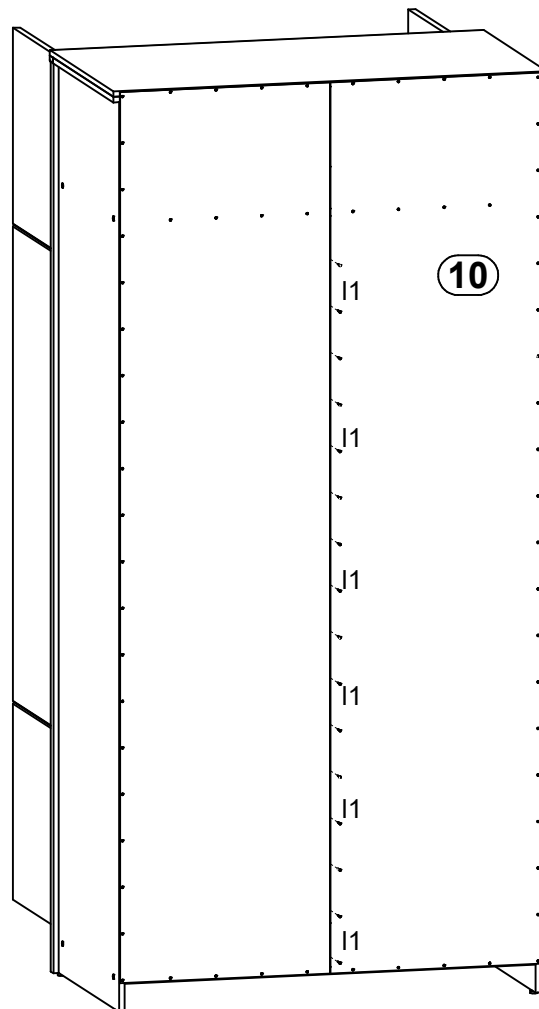
8 §14



9 §14



10 §14



11

