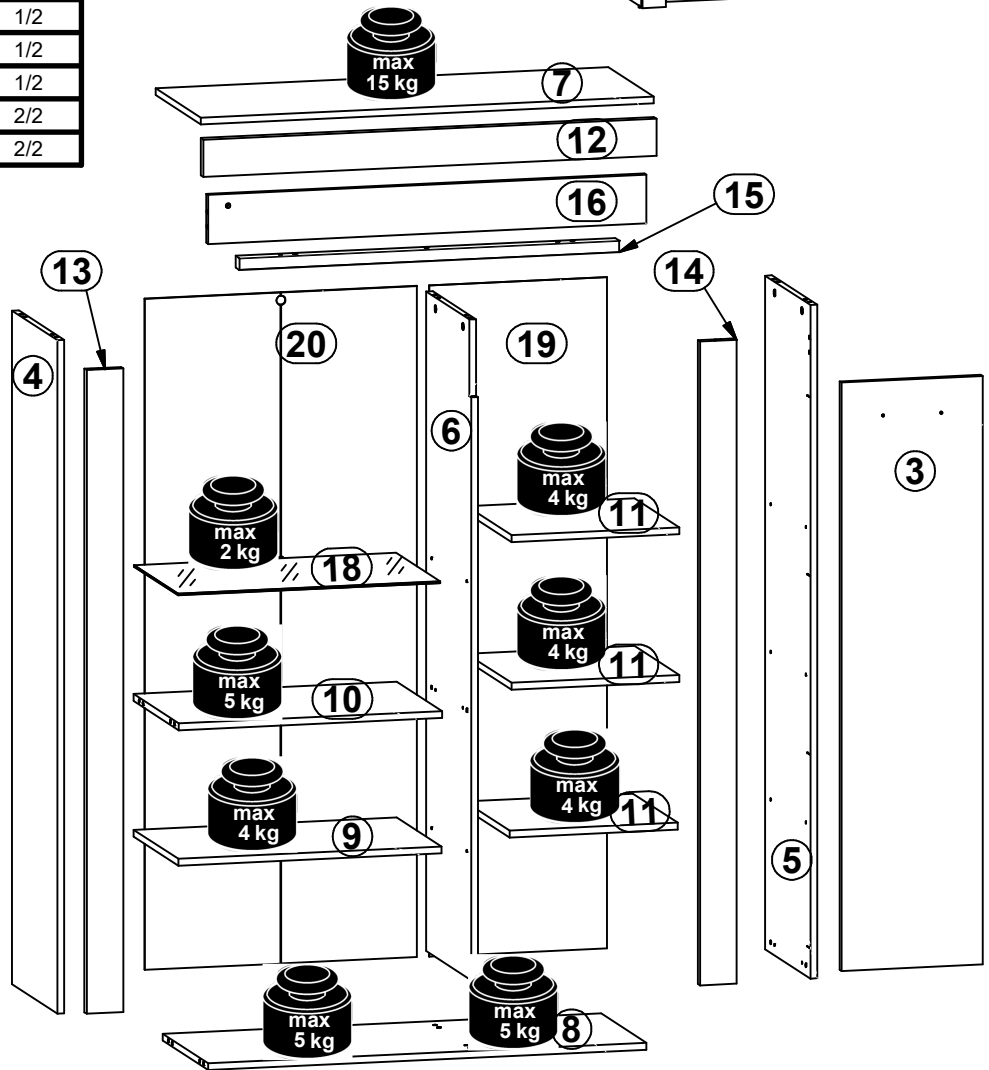
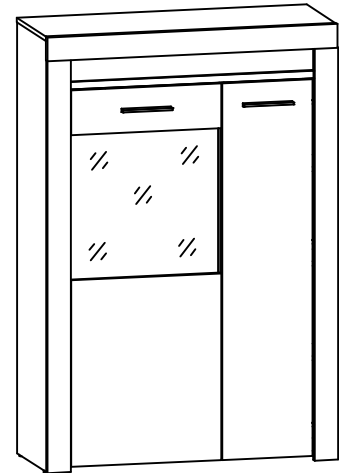
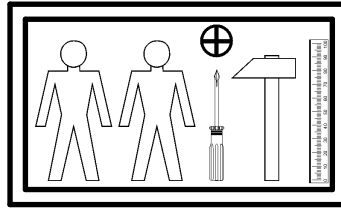


A

BAYLAR

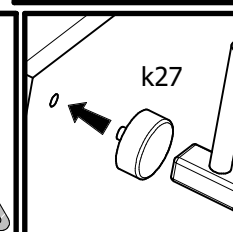
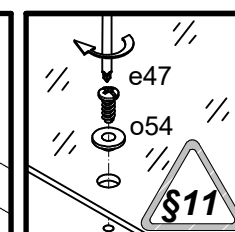
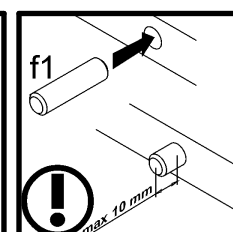
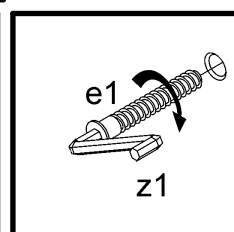
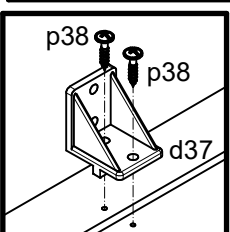
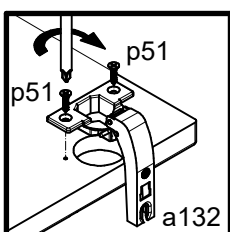
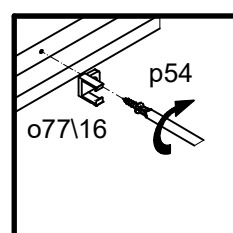
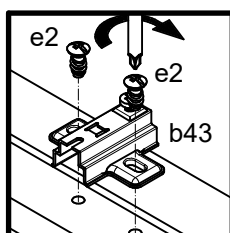
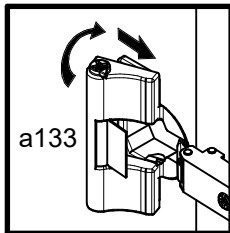
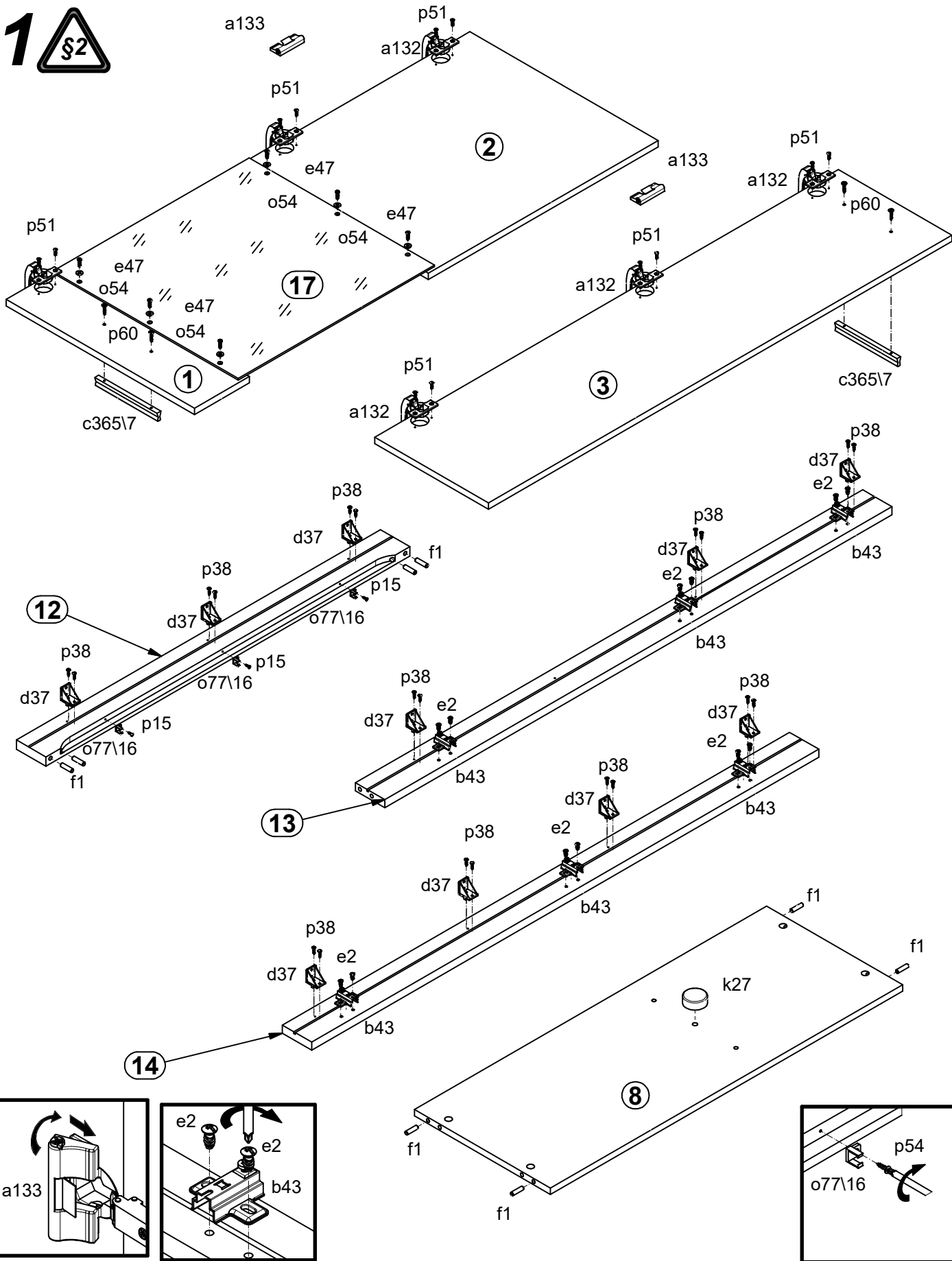
S415-REG1W1D/100

A	B	C	D
1	S415-0010	514	150
2	S415-0011	514	627
3	S415-0012	1265	310
4	S415-1011	1448	371
5	S415-1012	1448	371
6	S415-1013	1418	371
7	S415-2004	992	371
8	S415-3010	961	371
9	S415-3011	577	366
10	S415-3012	577	371
11	S415-3014	368	366
12	S415-5020	993	80
13	S415-5021	1384	80
14	S415-5022	1384	80
15	S415-5023	832	32
16	S415-5024	961	105
17	S415-5025	536	506
18	S415-5034	575	360
19	S415-9003	1443	389
20	S415-9306	1443	597

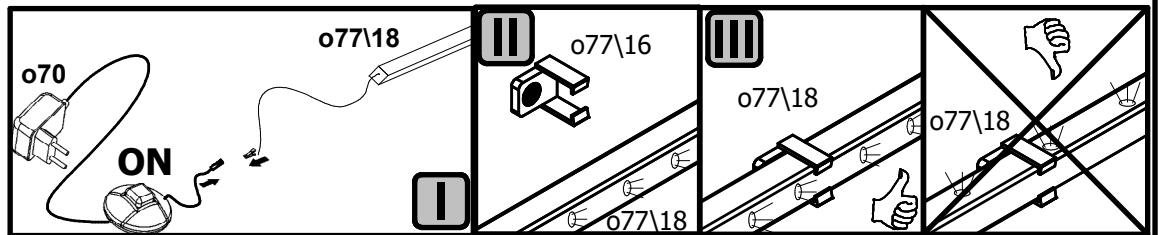
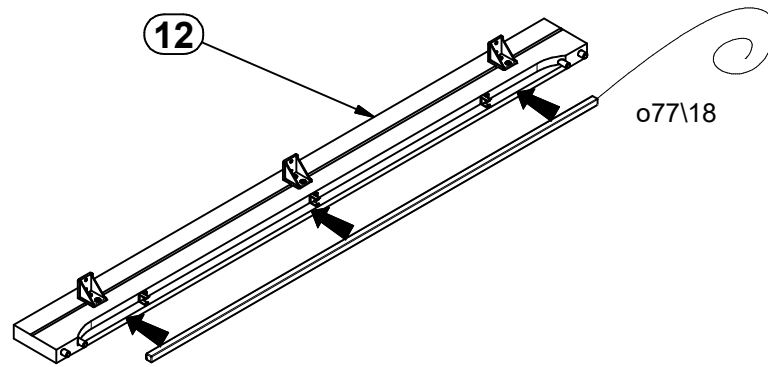


6x a132	2x a133	6x b43	2x c36517 L=170	16x d1 Ø5x17 mm	4x d3 Ø5x17 mm	11x d37	5x e1 Ø7x50 mm	12x e2 Ø6.3x13 mm
6x e47 Ø5x16 mm	24x f1 Ø8x30 mm	4x k1	60x l1 1.4x20 mm	6x n108 22x9.5x210.7 mm	1x o4318	6x o54 Ø5.3/Ø6.3x4.8 mm	1x o7718 L=835 mm	3x o7716
1x o70 Zasilacz 6W 12V z okablowaniem 4m, wyłącznik nożny, rozdzielacz 3 punkty	1x o8314 10x18 mm	46x p38 Ø3.5x16 mm	12x p51 Ø3.5x15 mm	3x p15 Ø2.5x13 mm	6x p55 Ø2.9x16 mm	4x p60 Ø4x22 mm	14x r1 Ø15x12 mm #16	14x r42 20/11
3x s1	6x s2 Ø16	1x z1 4 mm	1x k27	1x n1412 86x21x151.5	1x p17 Ø5x60 mm	1x f35 Ø10x50 mm		

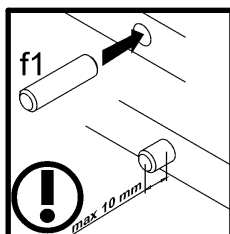
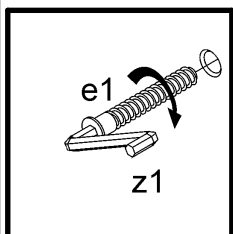
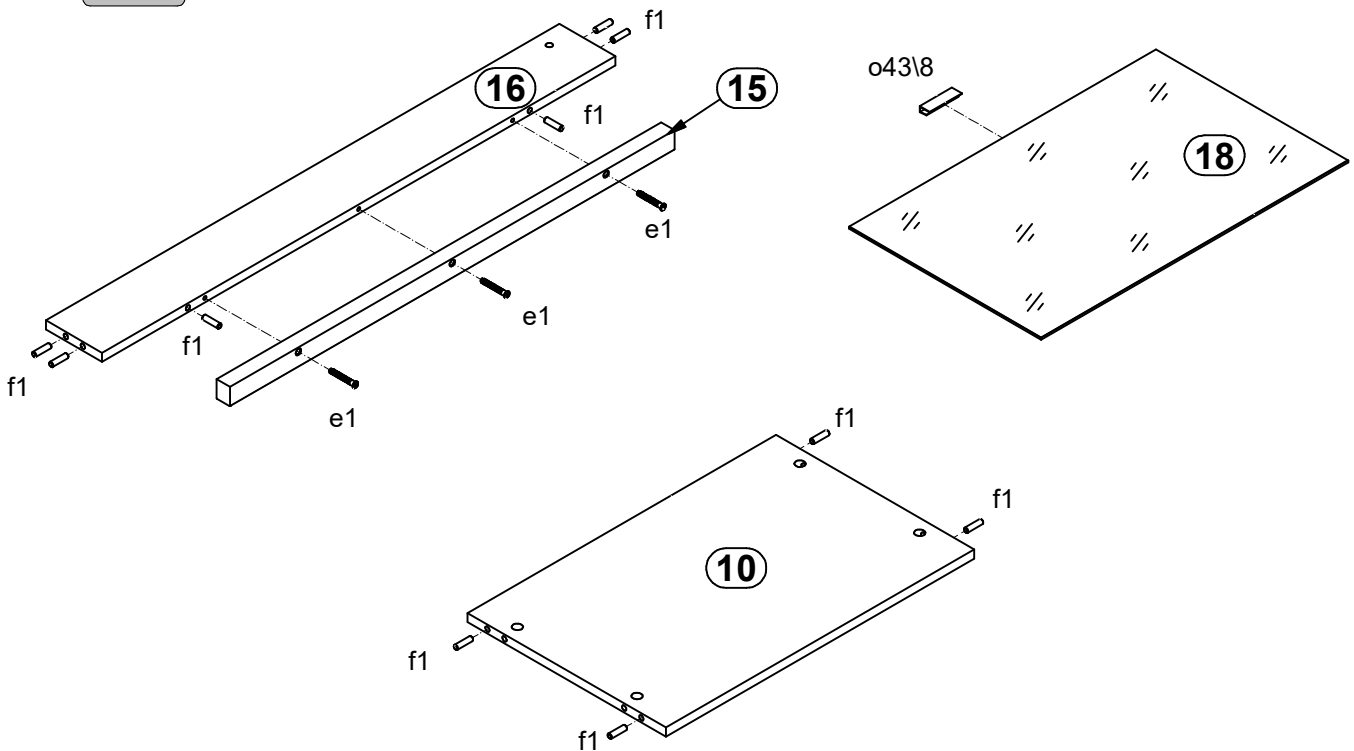
1  §2



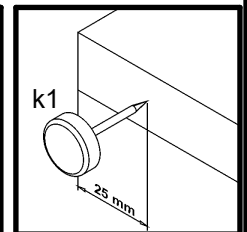
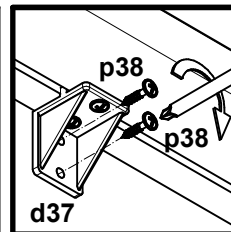
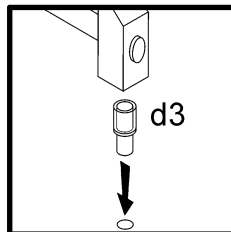
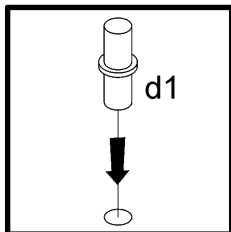
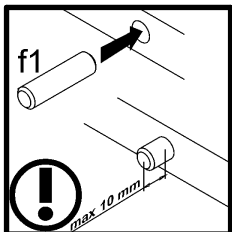
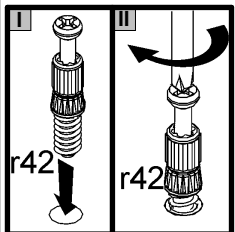
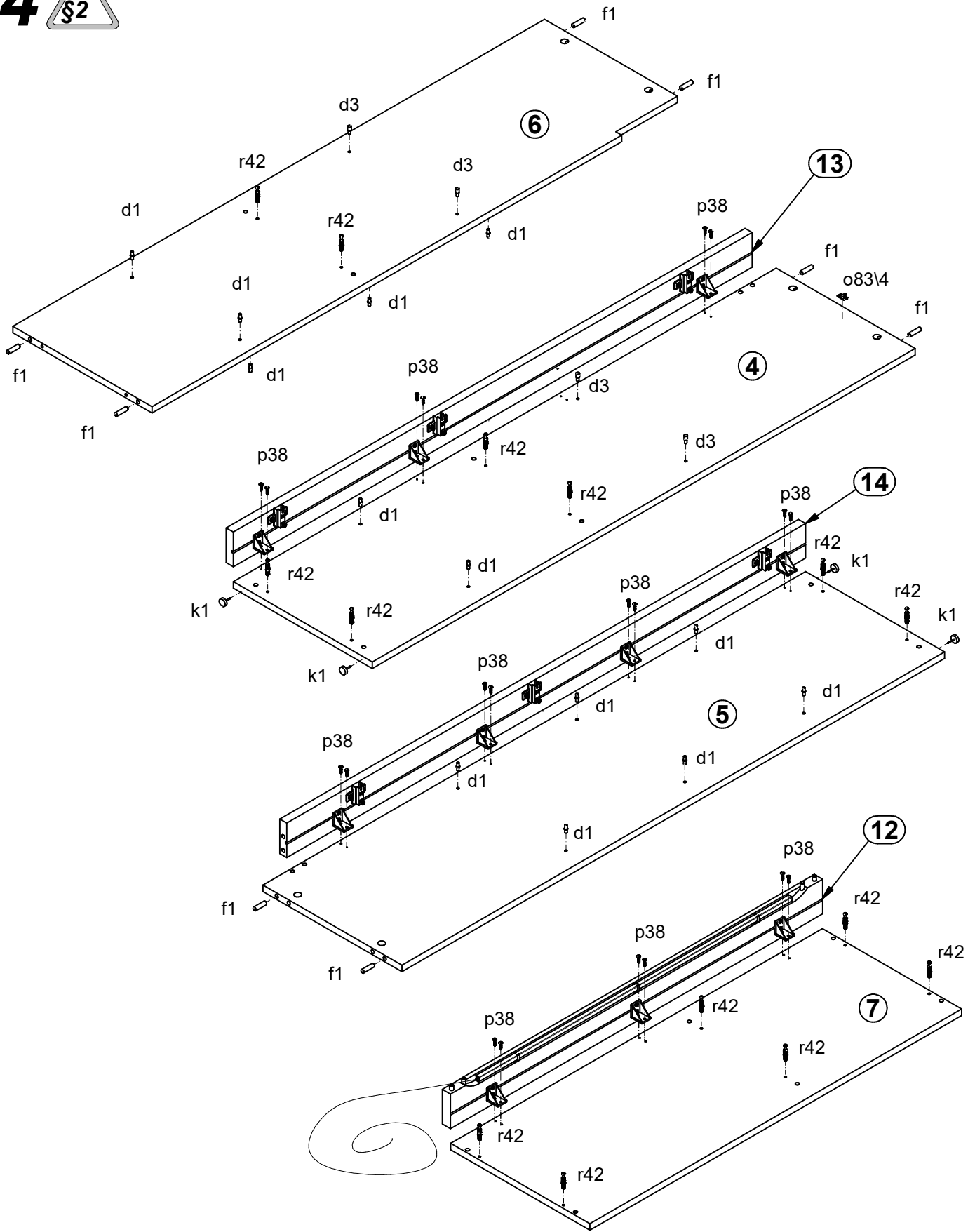
2



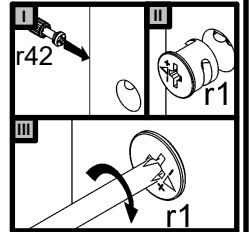
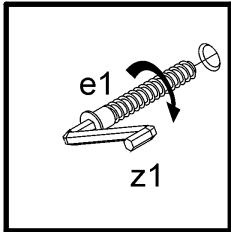
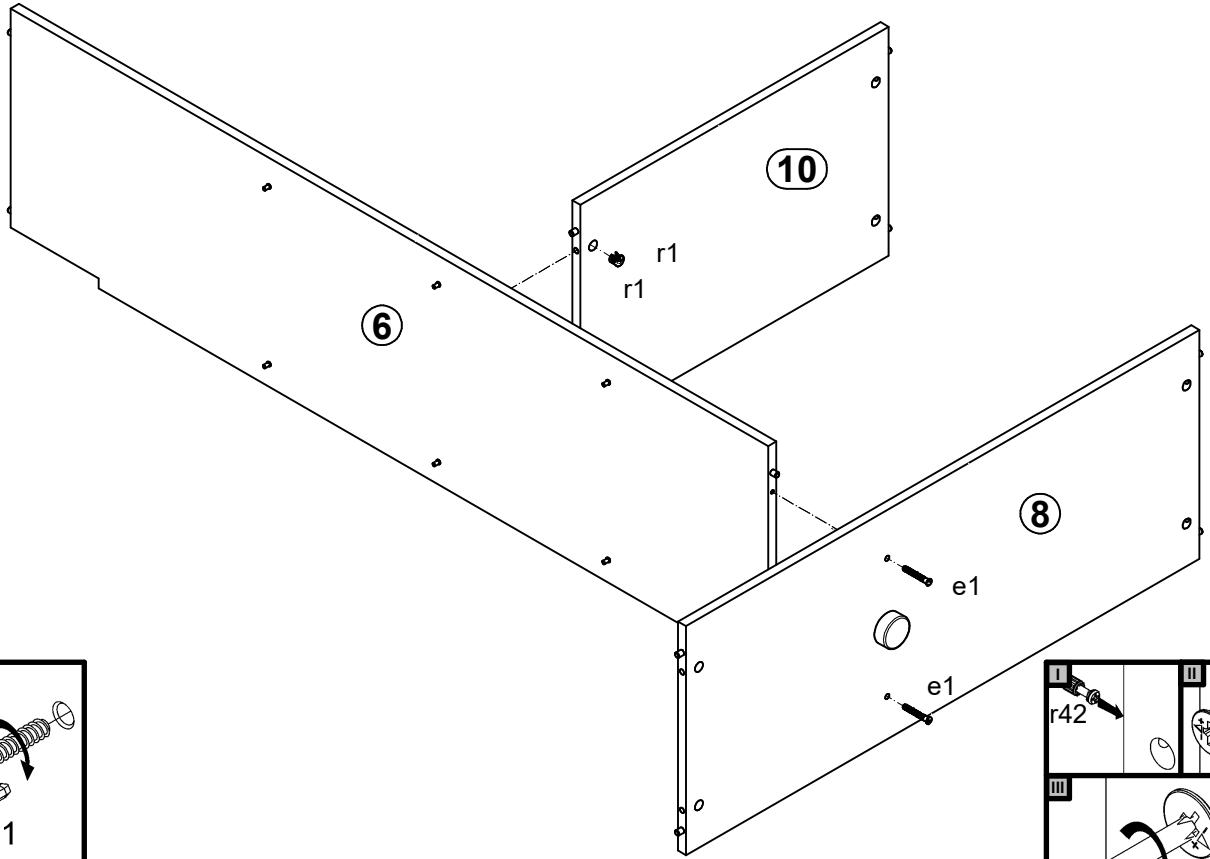
3



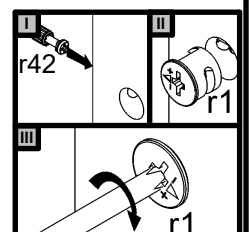
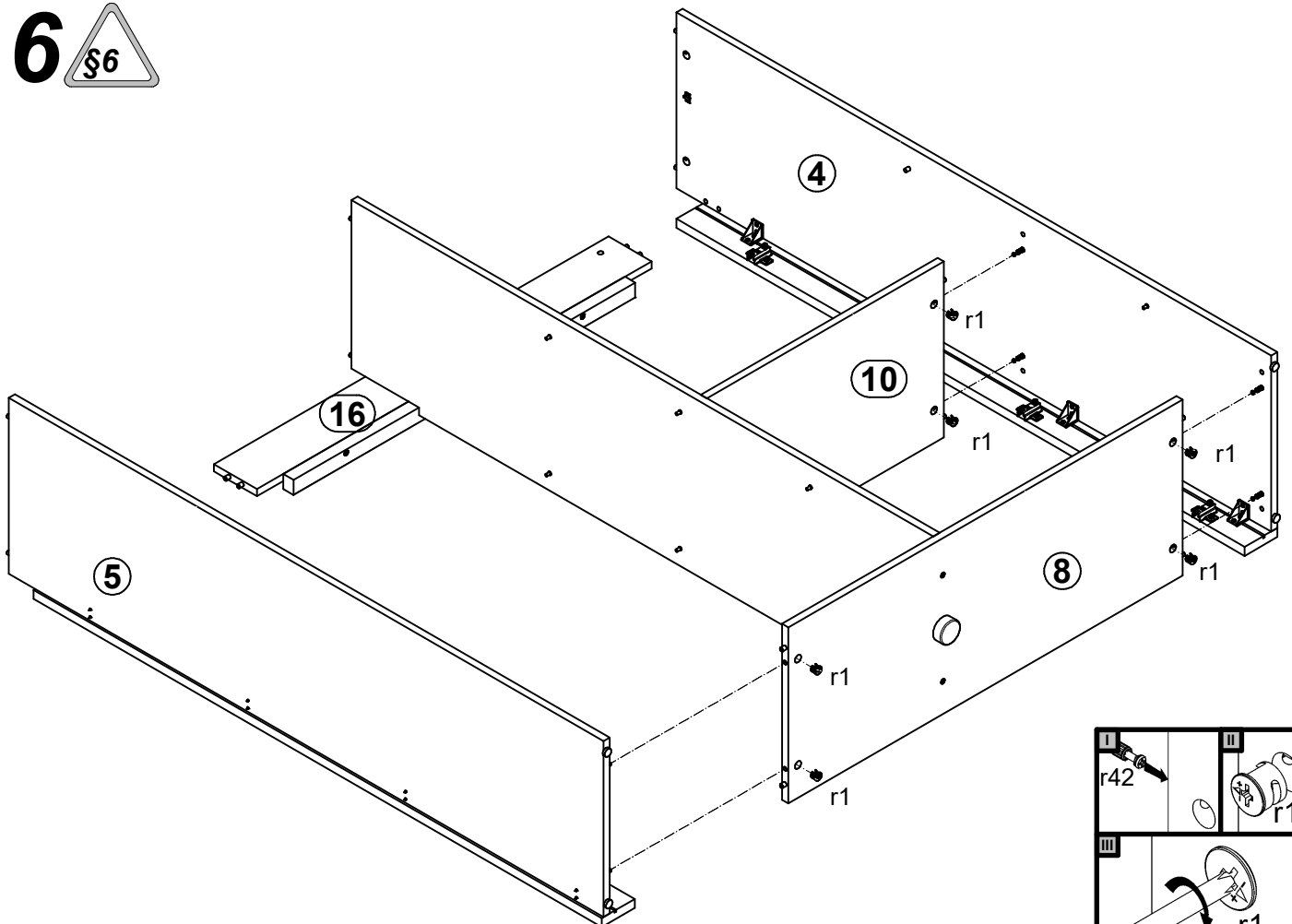
4



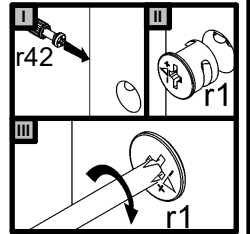
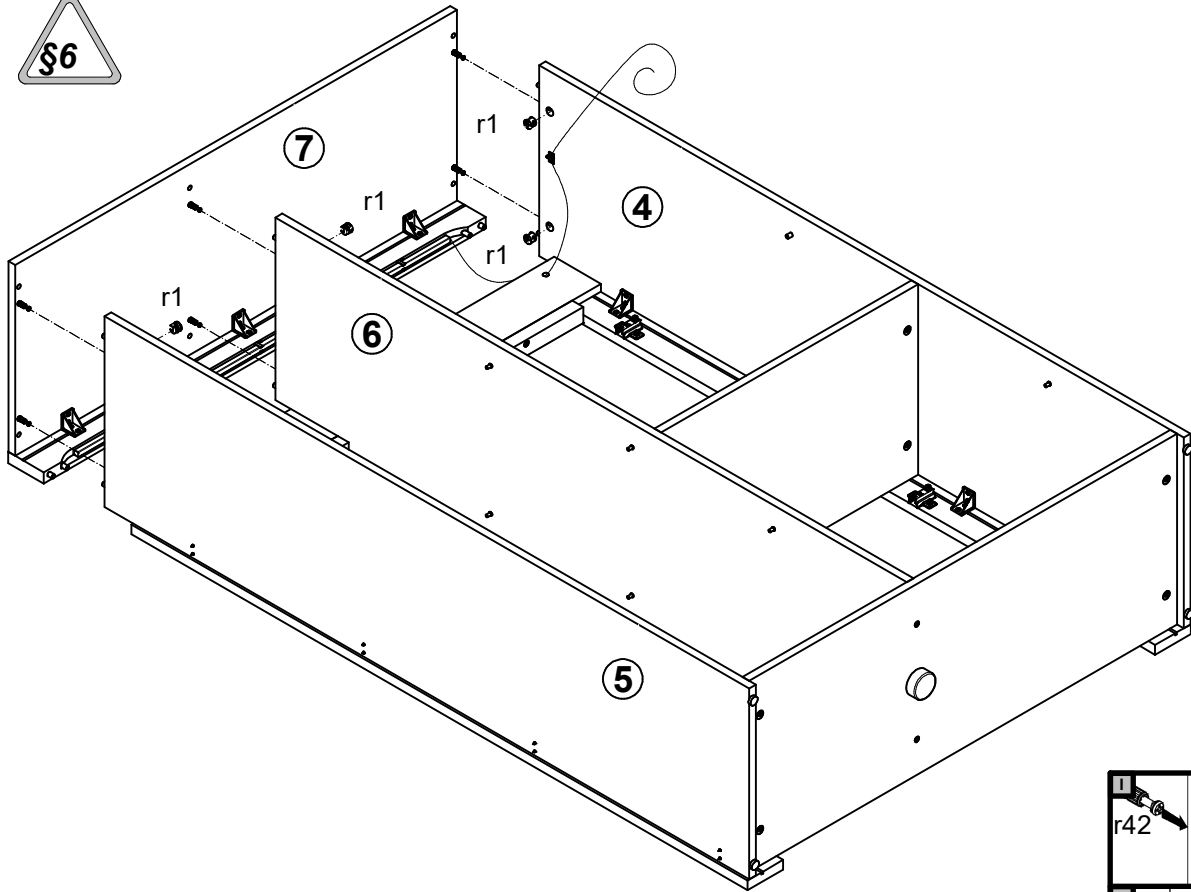
5 §6



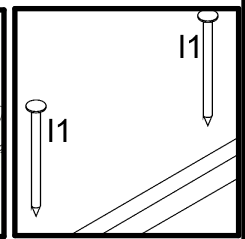
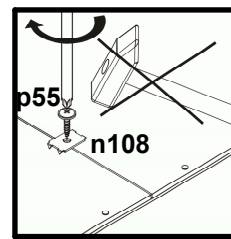
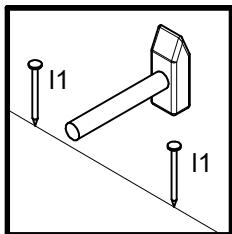
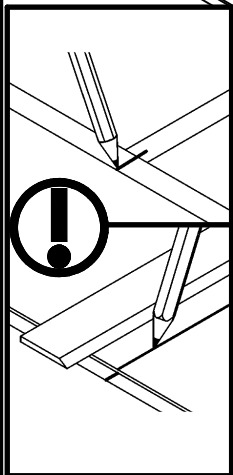
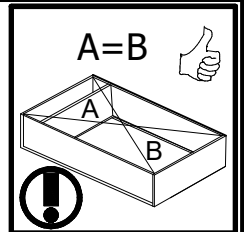
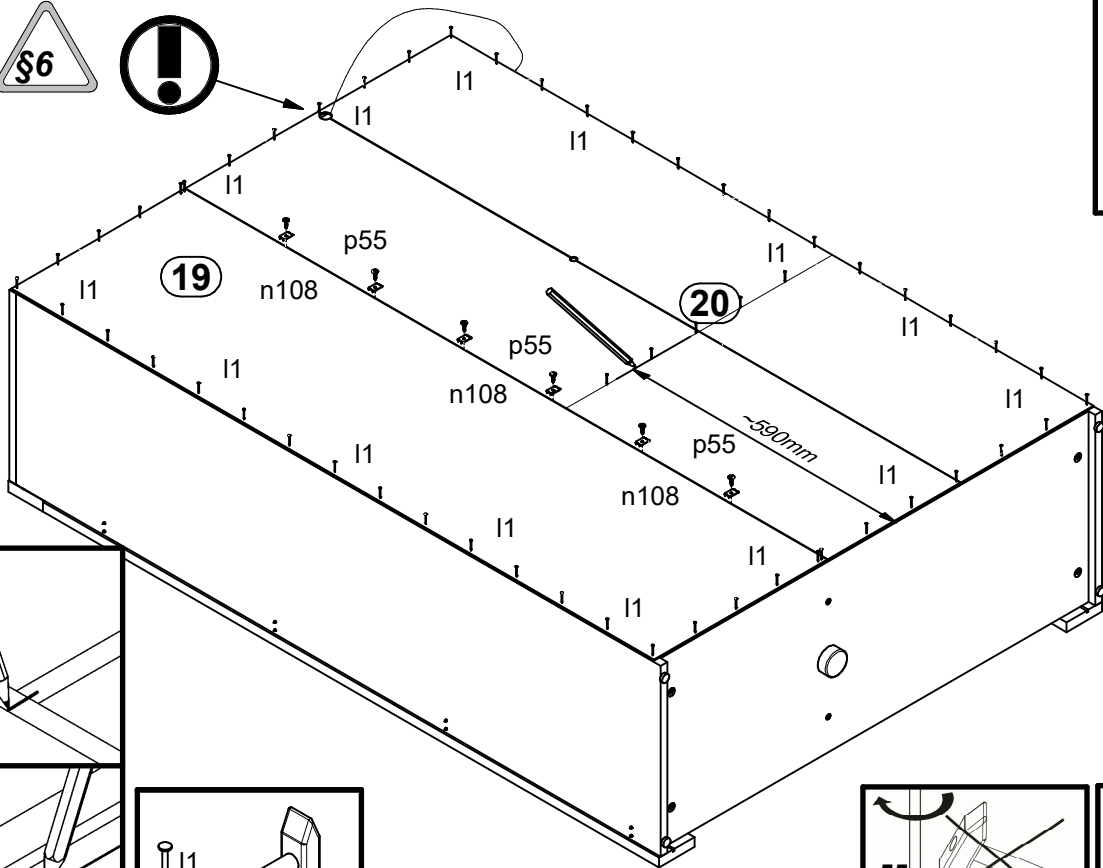
6 §6



7



8



9

