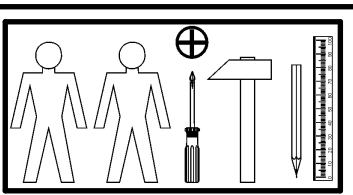
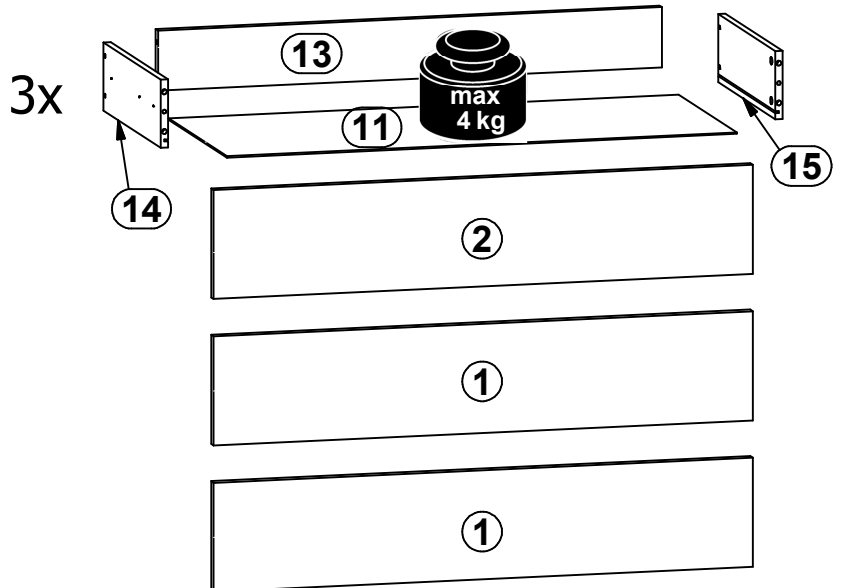
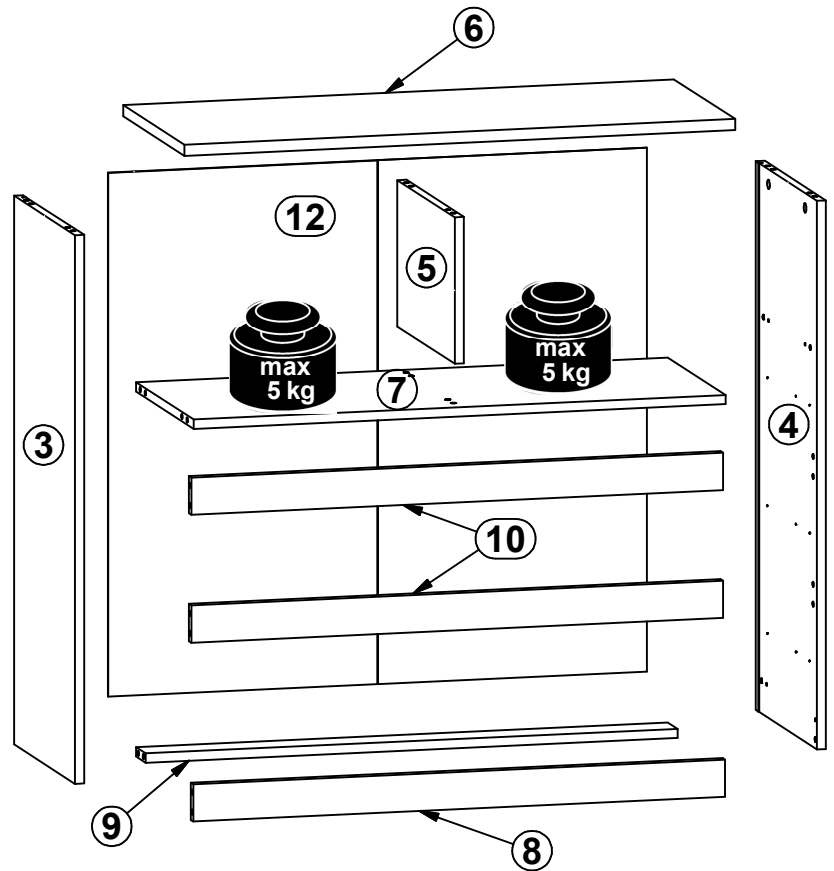
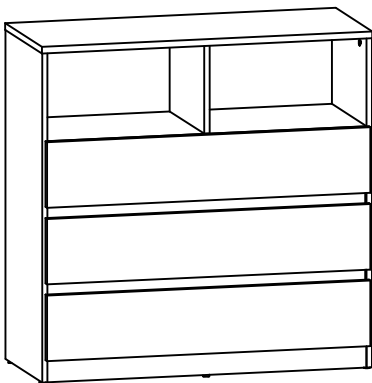
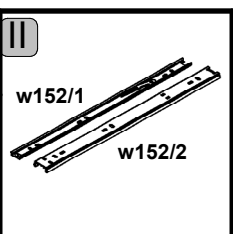
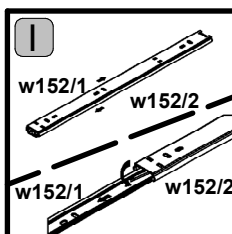
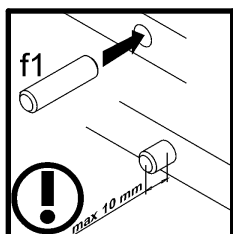
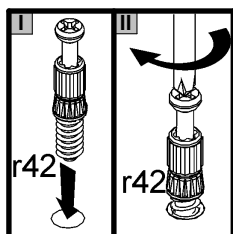
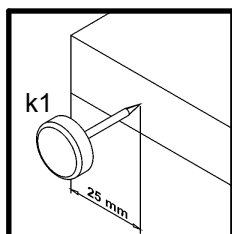
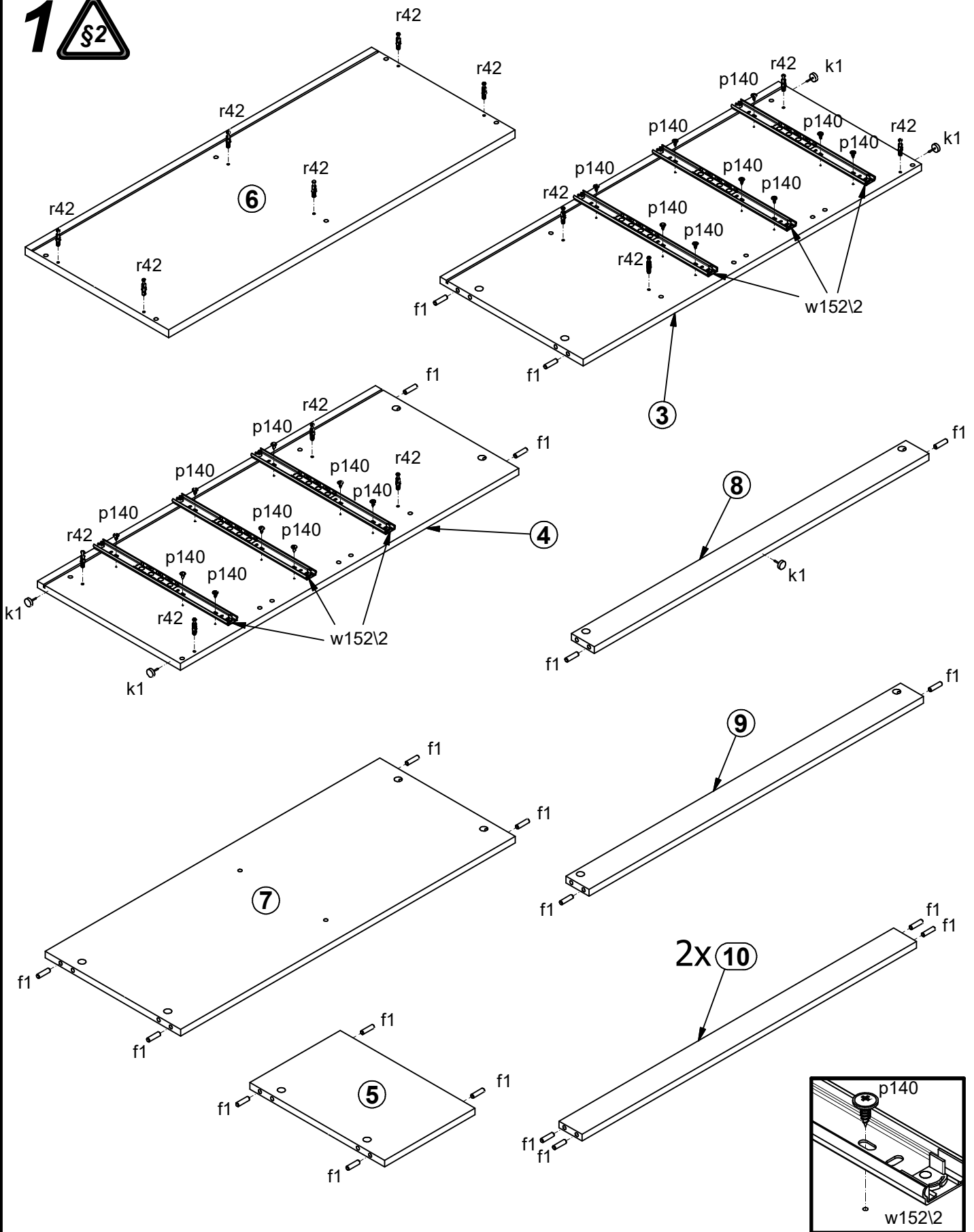


A	B	C	D	
1	S441-0004	886	176	2/2
2	S441-0009	886	176	2/2
3	S441-1006	884	374	1/2
4	S441-1007	884	374	1/2
5	S441-1013	236	352	1/2
6	S441-2003	905	375	1/2
7	S441-3004	874	354	1/2
8	S441-4006	874	60	1/2
9	S441-4007	874	60	1/2
10	S441-4008	874	60	1/2
11	S441-9003	838	357	1/2
12	S441-9302	844	885	1/2
13	ZK3-5014	828	97	1/2
14	ZK3-519	350	110	1/2
15	ZK3-520	350	110	1/2

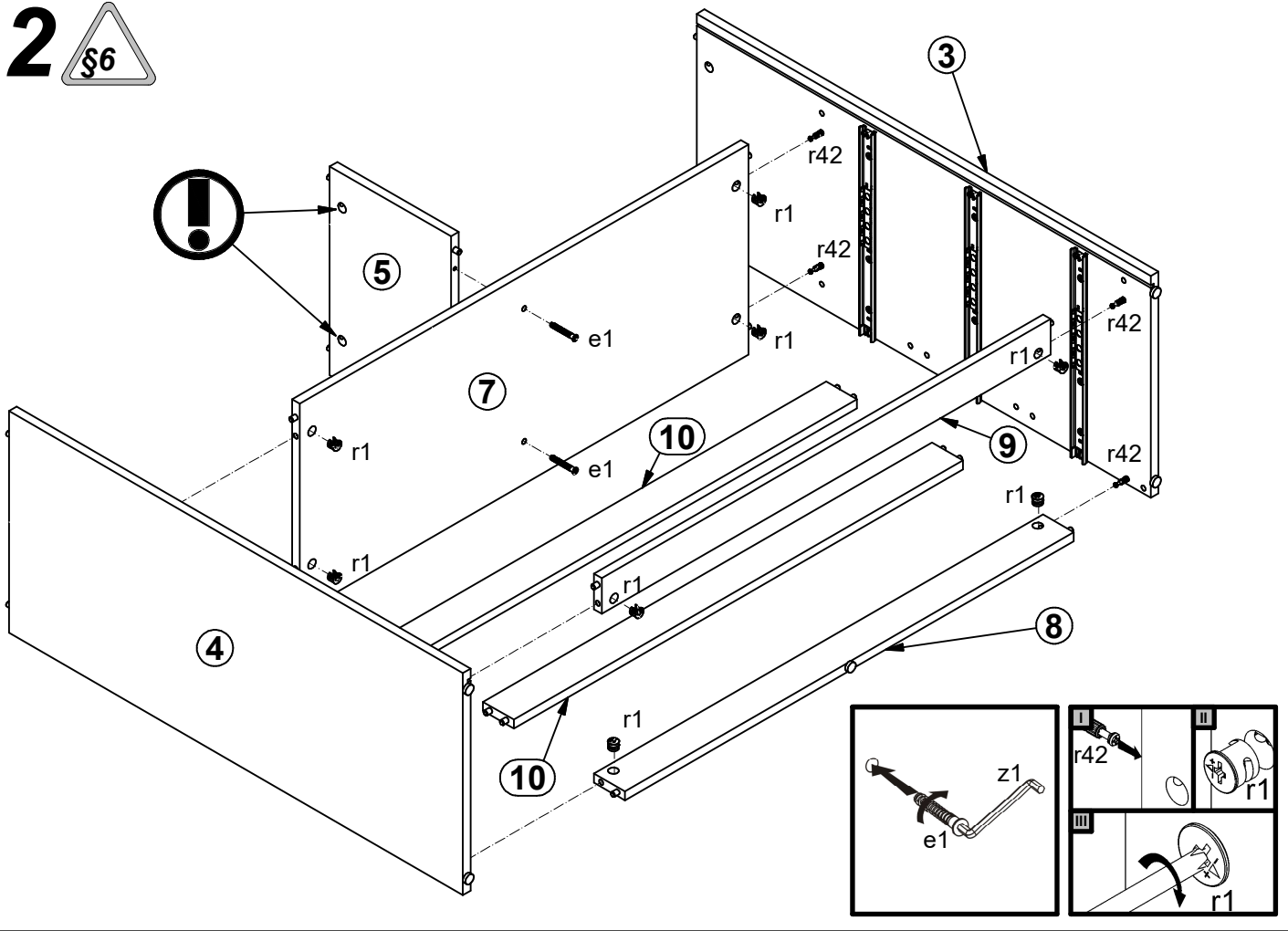


2x Ø7x50 mm e1	24x Ø8x30 mm f1	12x Ø6.5x40 mm f25	6x Ø6x30 mm f9	5x k1	20x 1.4x20 mm l1	6x l2	36x Ø3.5x12 mm p140	3x Ø3.5x16 mm p25
3x Ø3.5x10 mm p35	18x Ø3.5x16 mm p38	14x Ø15x12 mm #16 r1	12x Ø12x10.5 mm #12 r15	26x 20/11 r42	3x 350 mm t35	6x 350/580 mm w152\1	6x 350/580 mm w152\2	6x Ø 20mm s68
1x 4 mm z1						1x n26		1x Ø3.5x16 mm p38

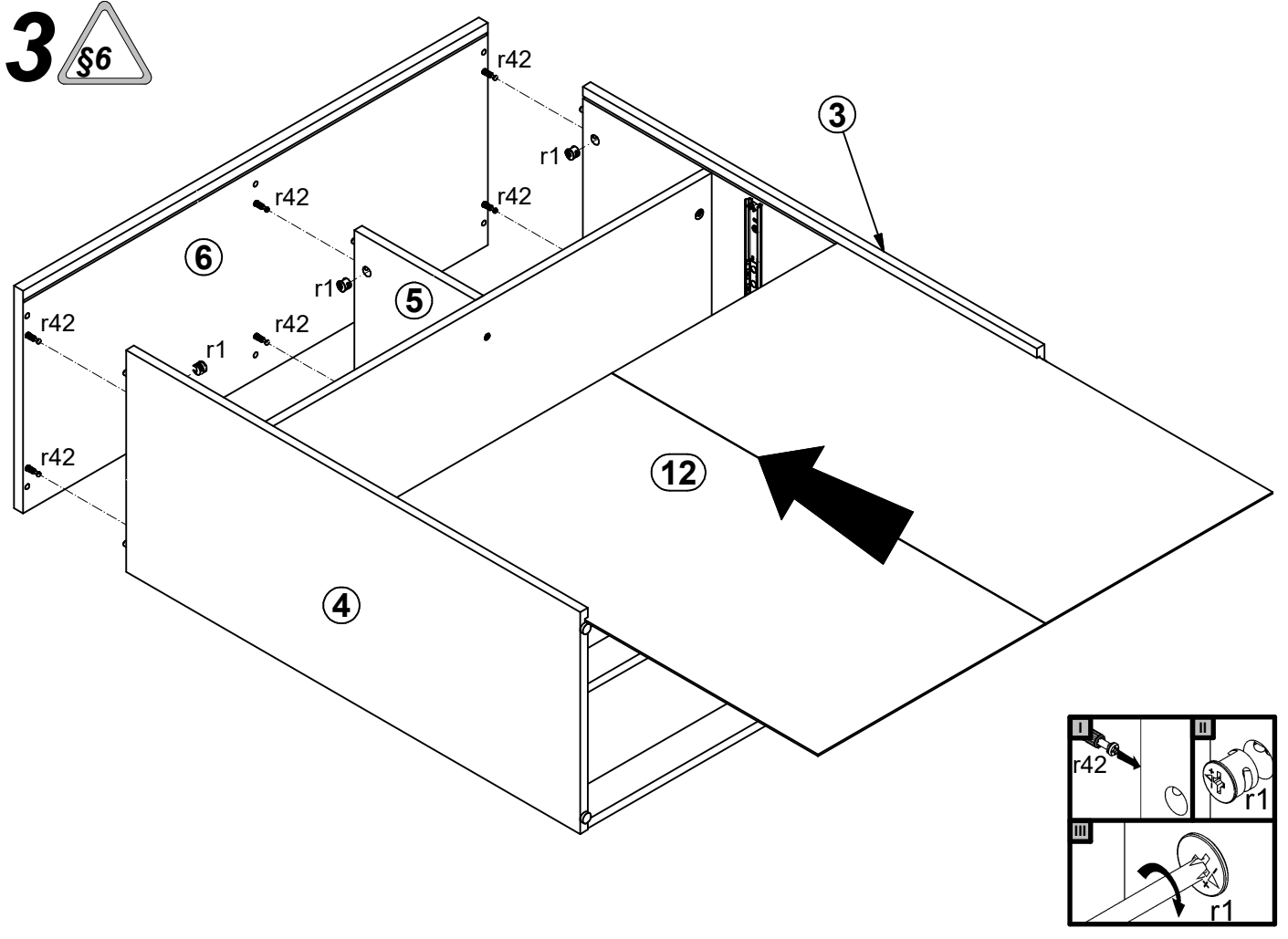
1 §2

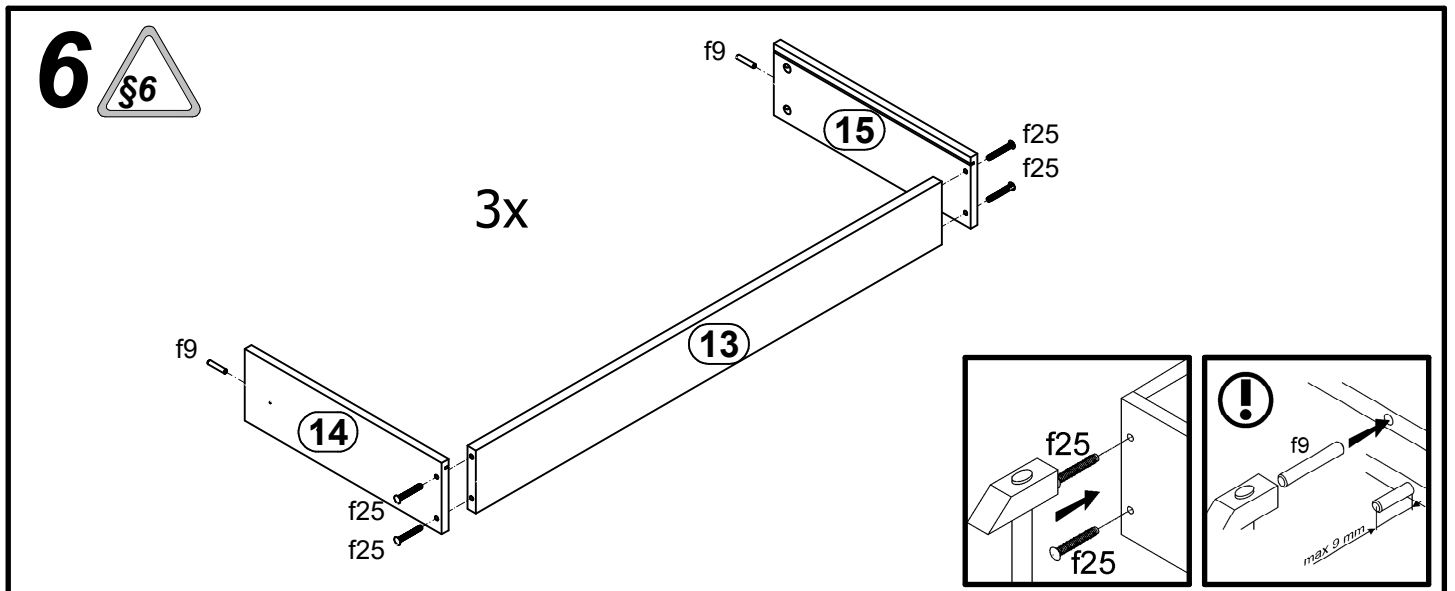
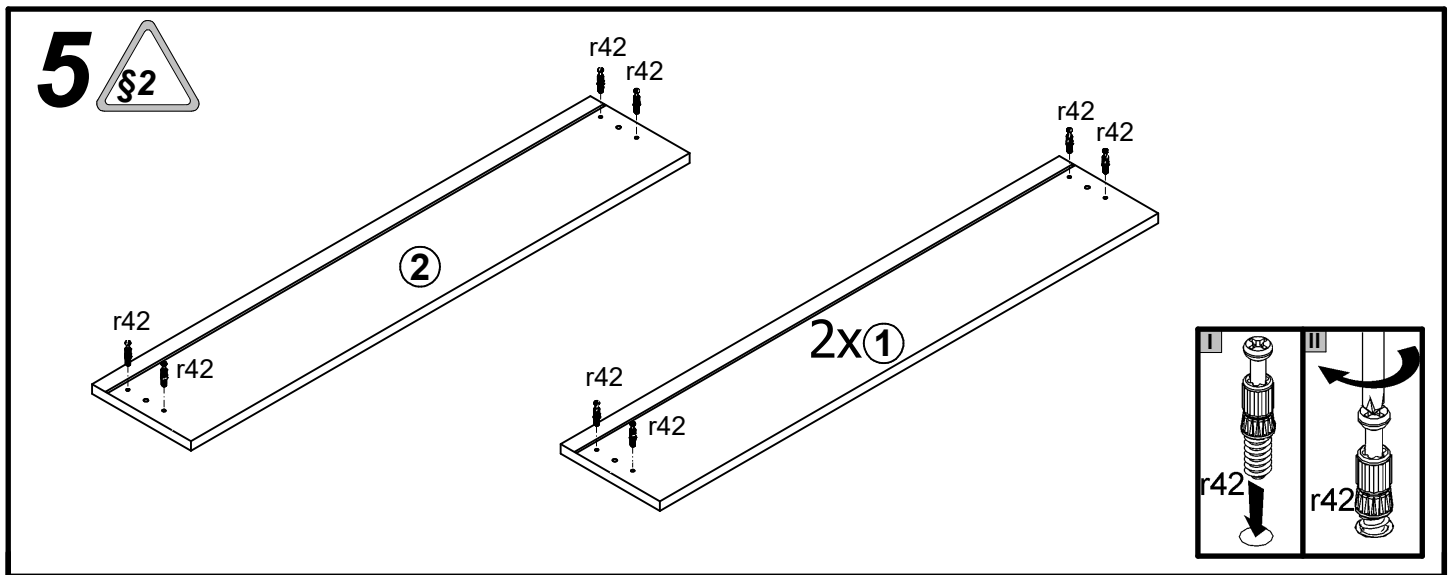
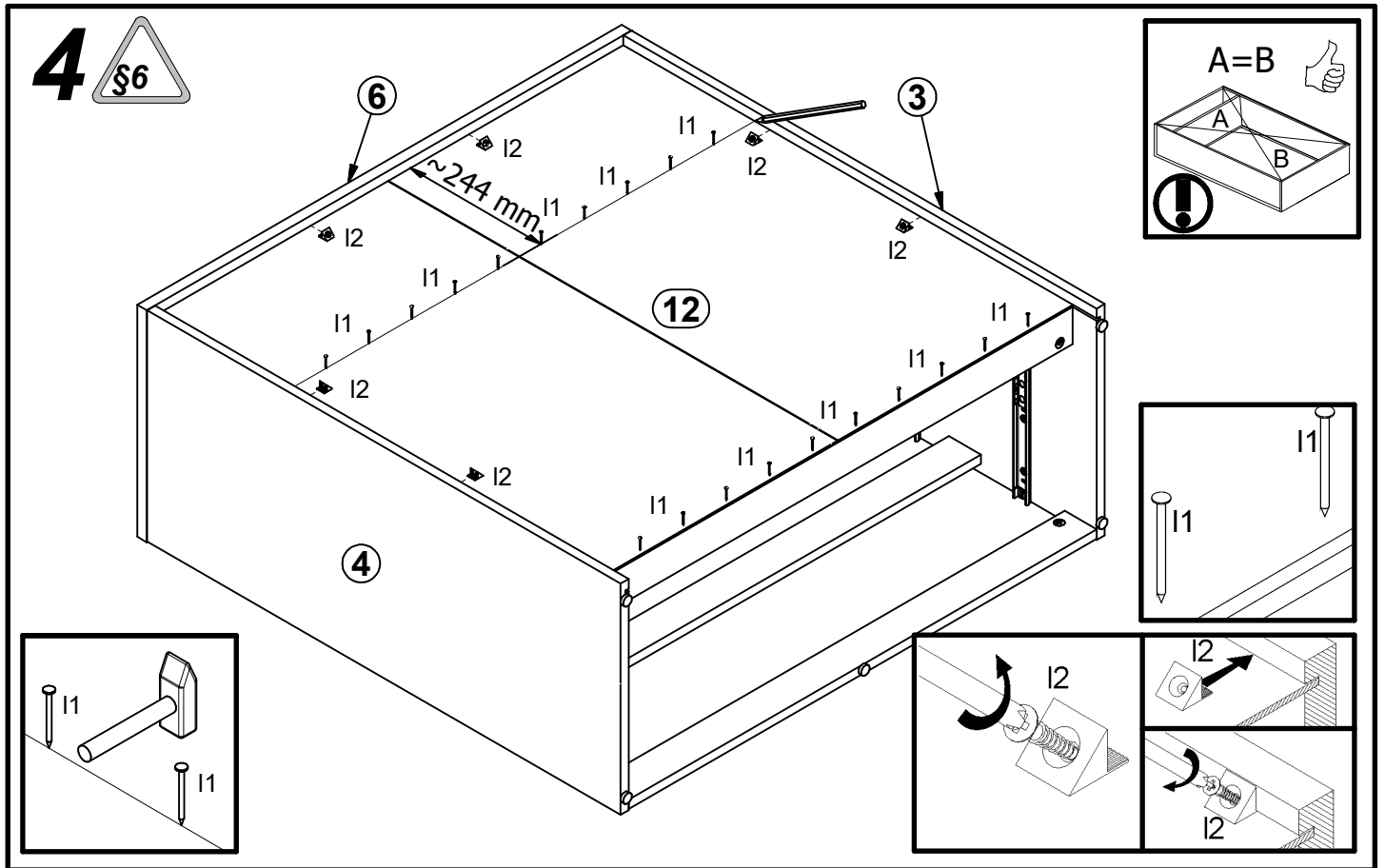


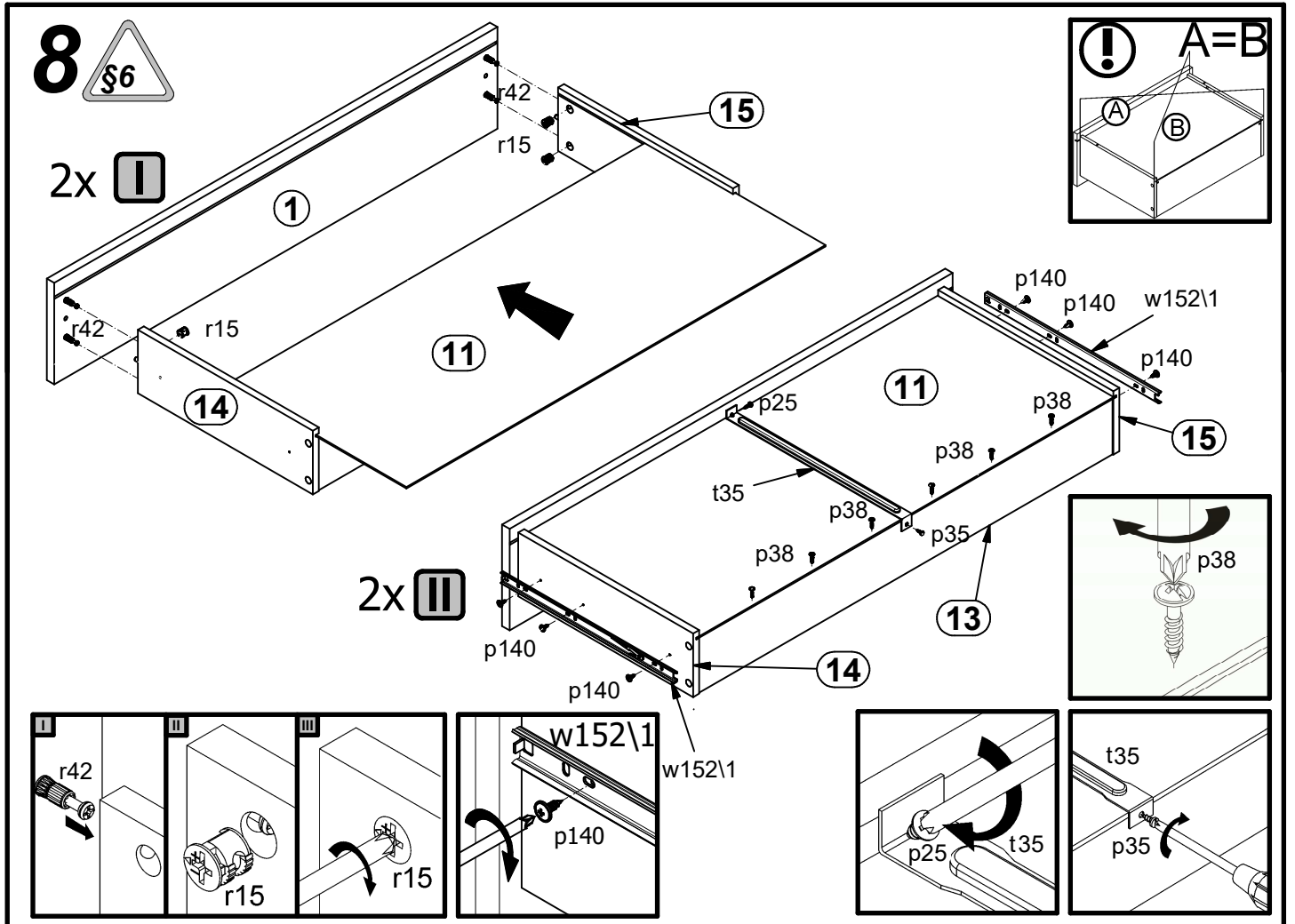
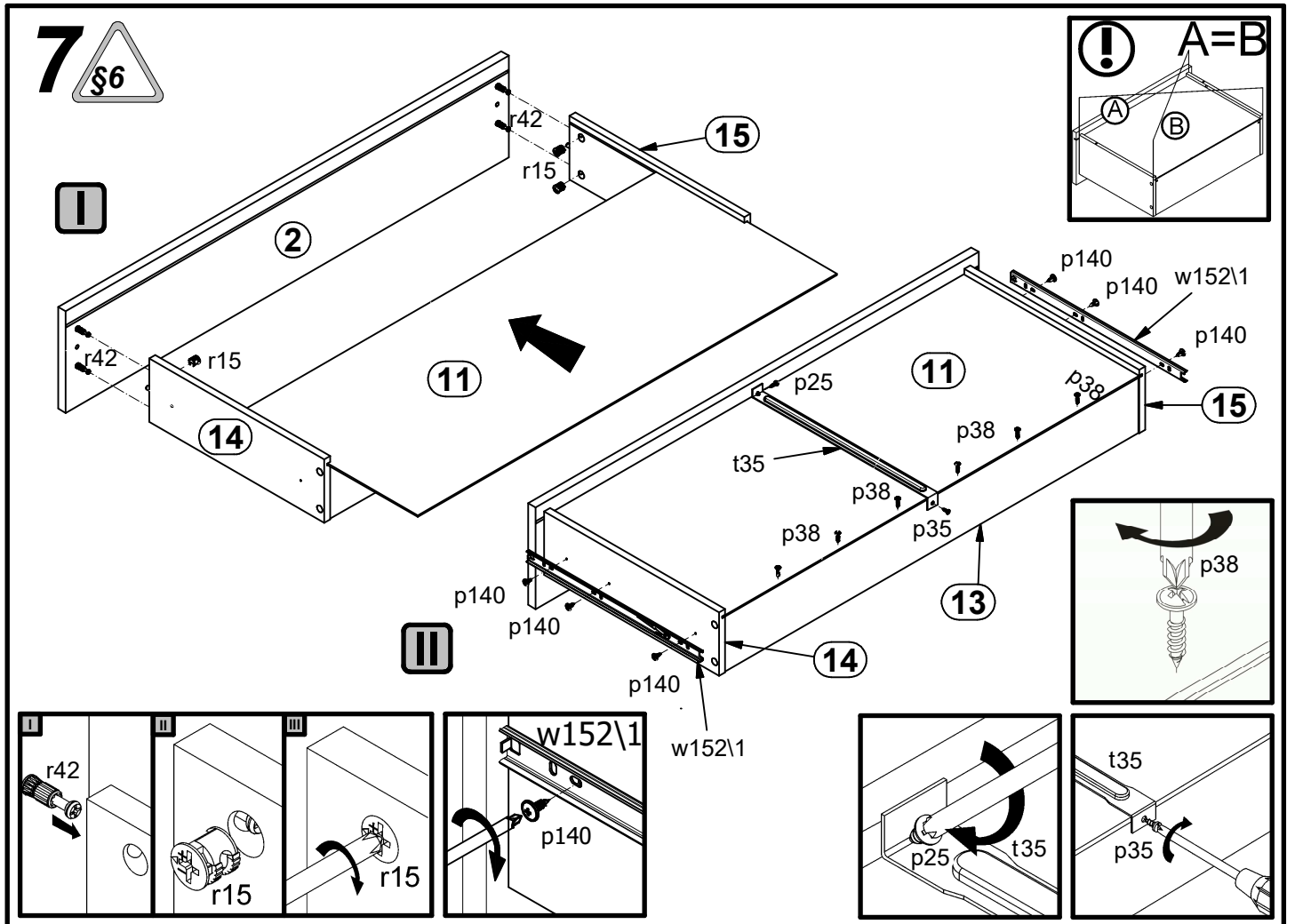
2 



3 







9  S6

