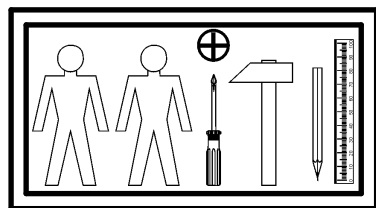
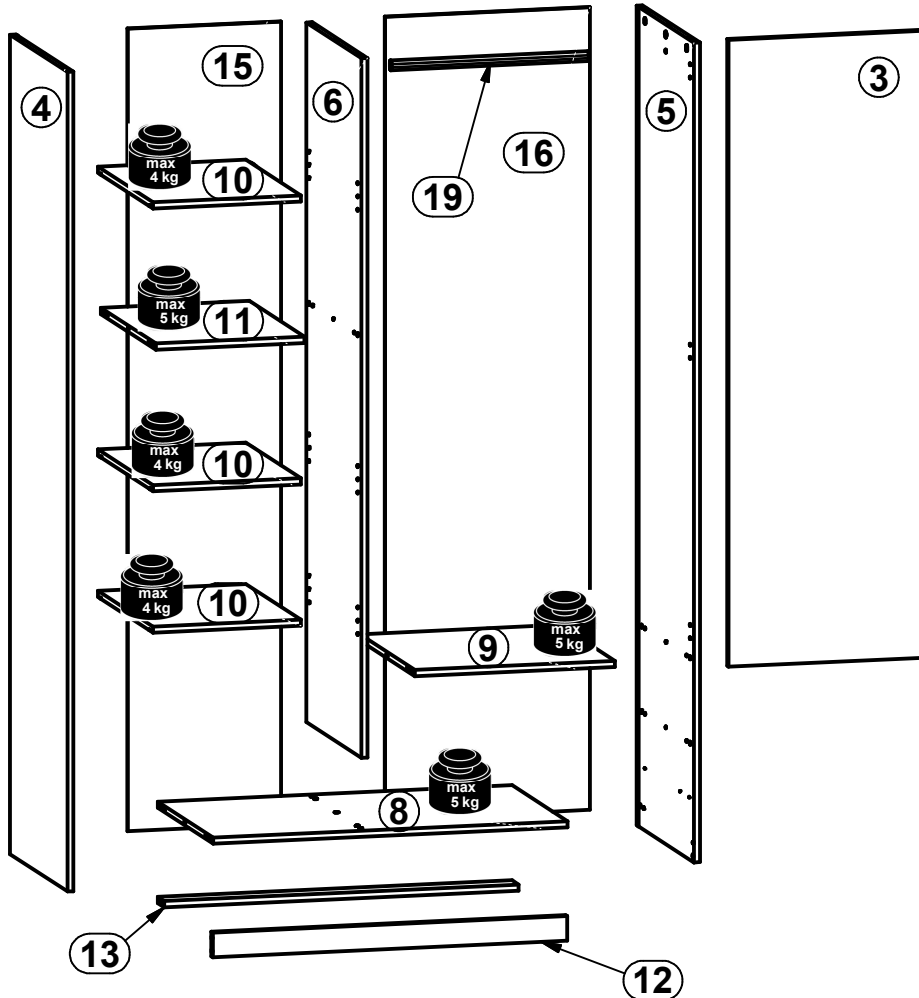
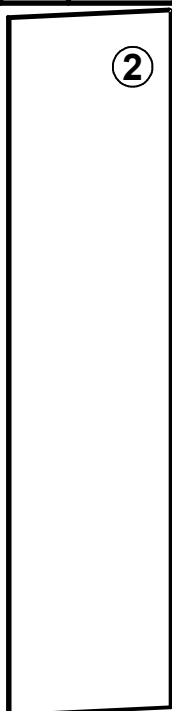
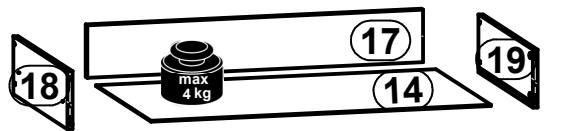
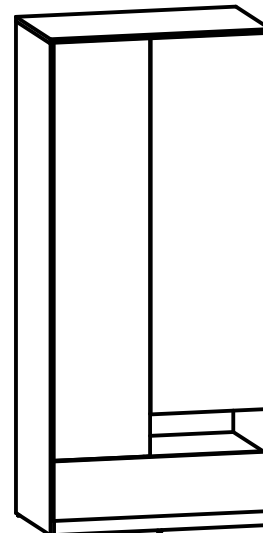
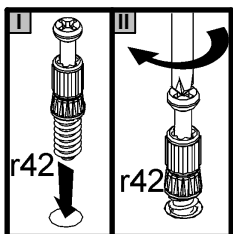
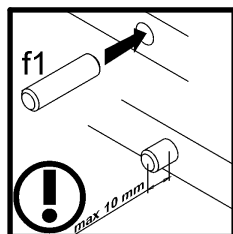
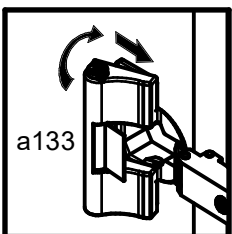
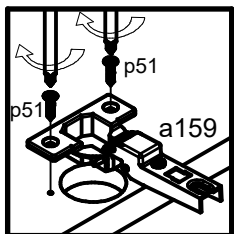
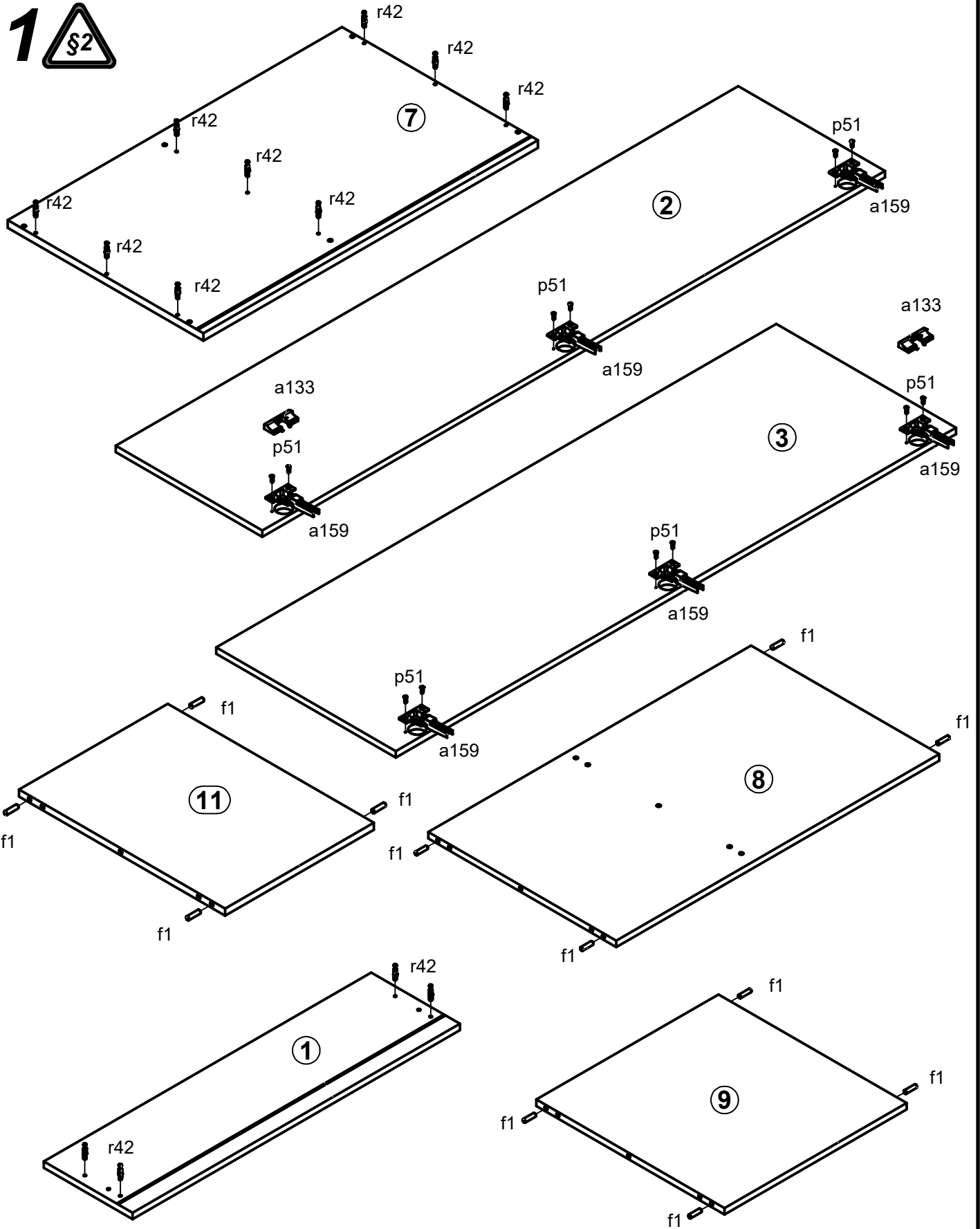


A	B	C	D	
1	S441-0013	886	240	3/3
2	S441-0014	1685	397	3/3
3	S441-0015	1516	486	3/3
4	S441-1027	1982	529	2/3
5	S441-1028	1982	529	2/3
6	S441-1029	1692	509	2/3
7	S441-2009	905	530	1/3
8	S441-3016	874	509	1/3
9	S441-3017	493	509	1/3
10	S441-3018	365	507	1/3
11	S441-3023	366	507	1/3
12	S441-4006	874	60	1/3
13	S441-4007	874	60	1/3
14	S441-9010	838	507	1/3
15	S441-9011	1941	378	2/3
16	S441-9012	1941	505	2/3
17	ZK3-5015	828	127	1/3
18	ZK3-515	500	140	1/3
19	ZK3-516	500	140	1/3
19	dr-486	486	22	1/3

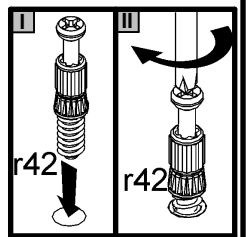
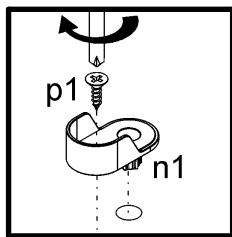
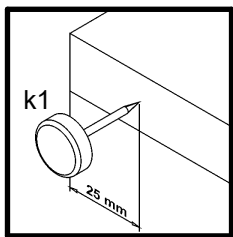
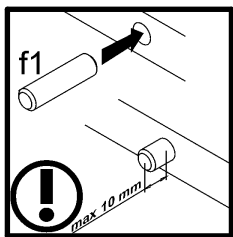
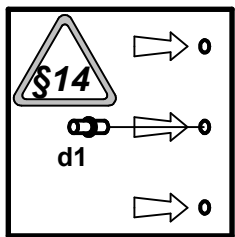
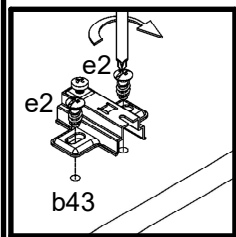
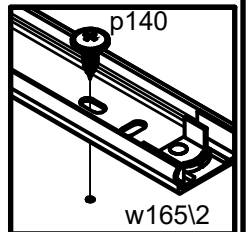
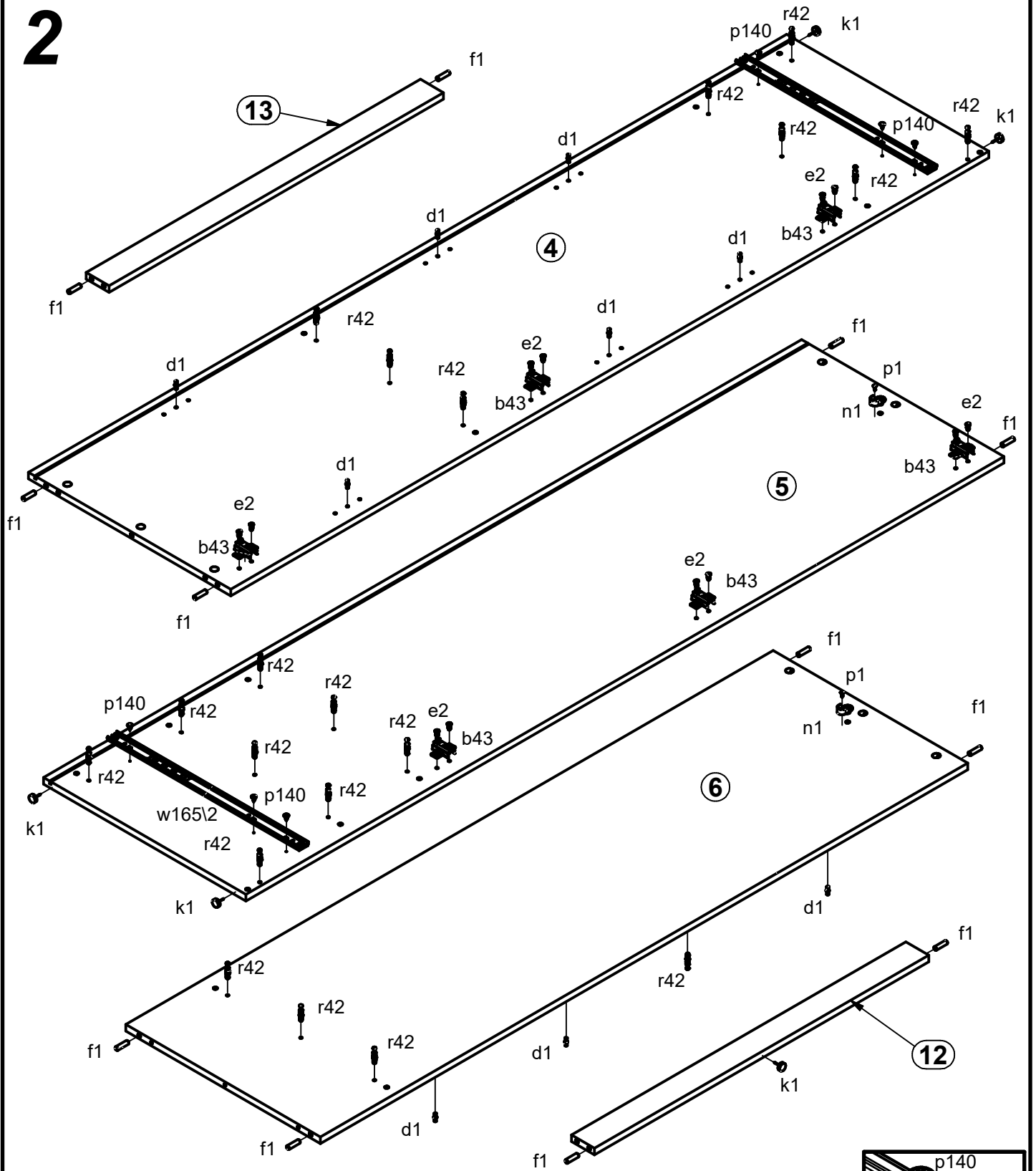


2x a133	6x a159	6x b43	12x d1	3x e1	12x e2	24x f1	4x f25	2x f9
5x k1	25x l1	12x l2	2x n1	8x n108	2x p1	12x p140	1x p25	1x p35
7x p38	12x p51	8x p55	31x r1	4x r15	35x r42	1x t34	2x w165\1	2x w165\2
9x s68	1x z1	1x n26						

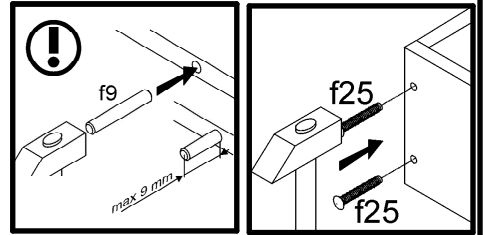
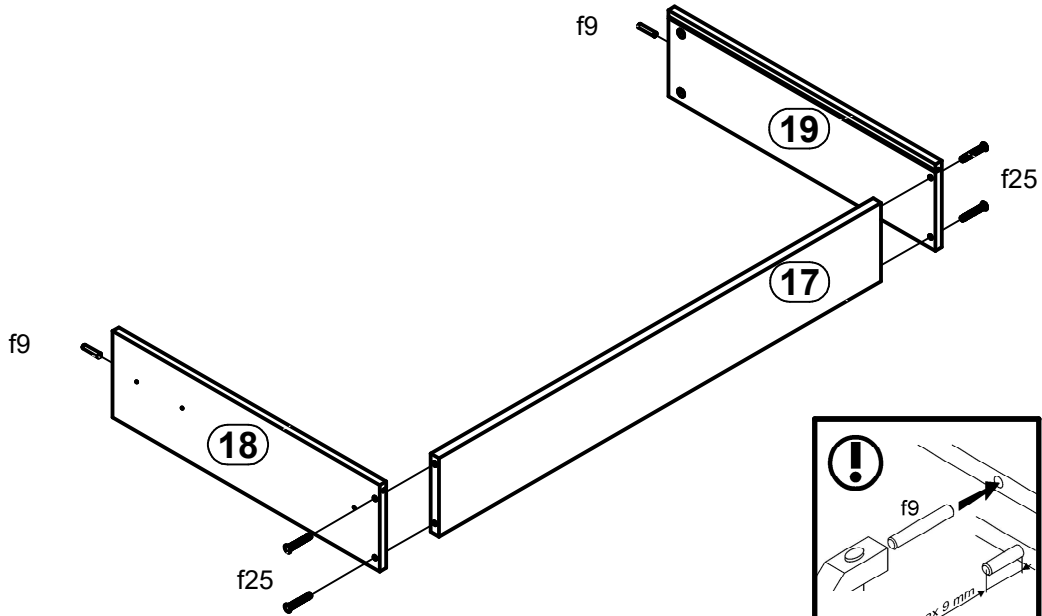
1 



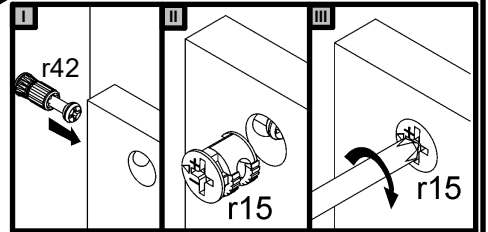
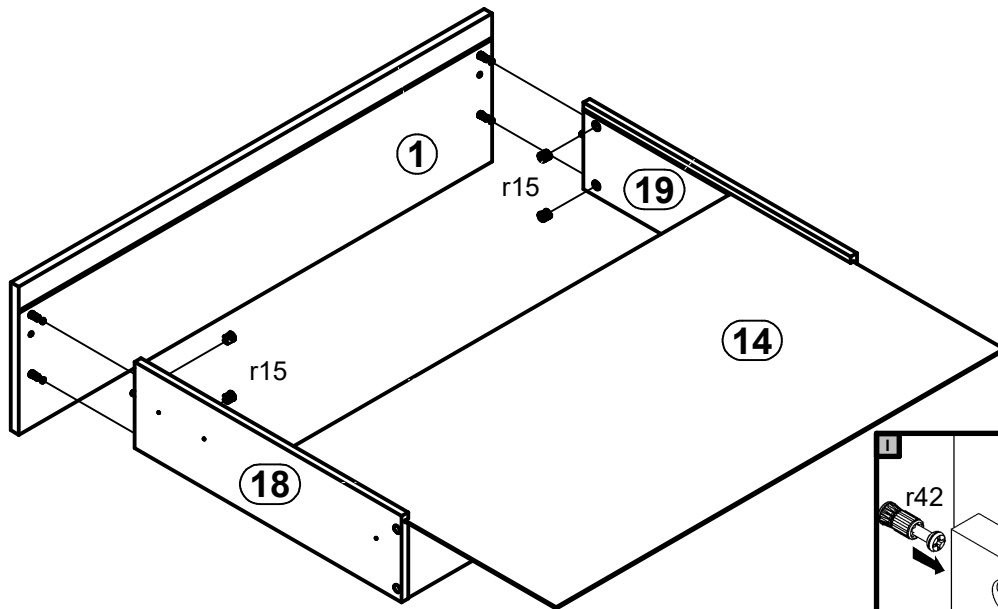
2



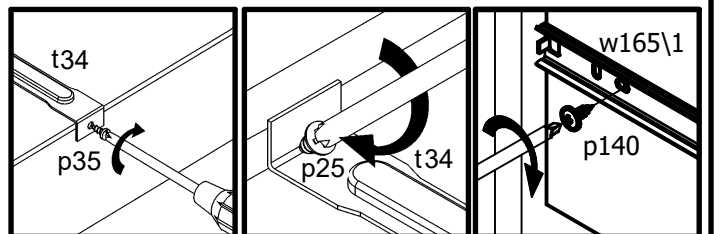
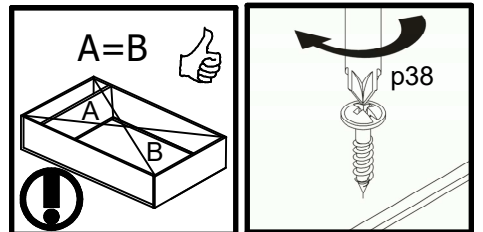
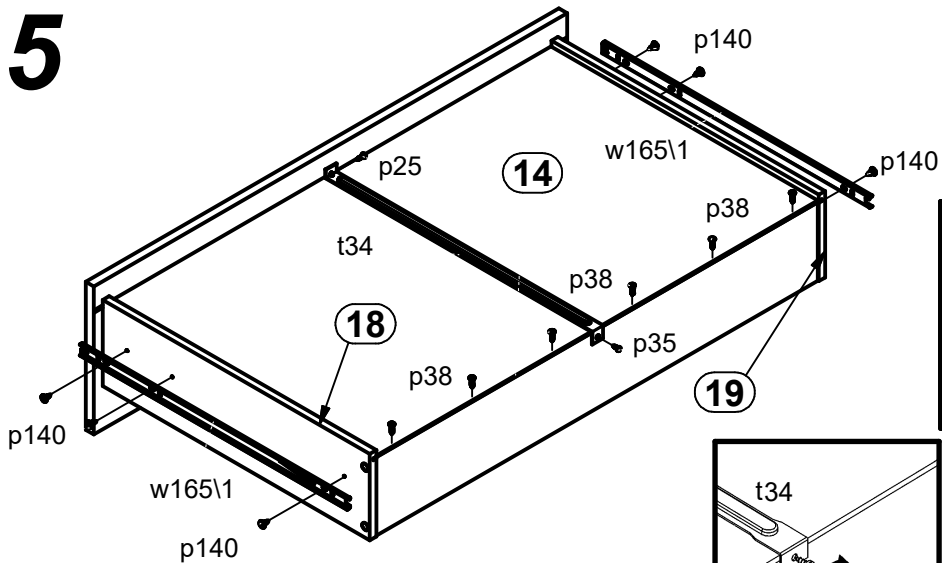
3



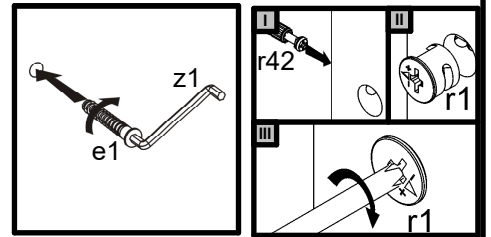
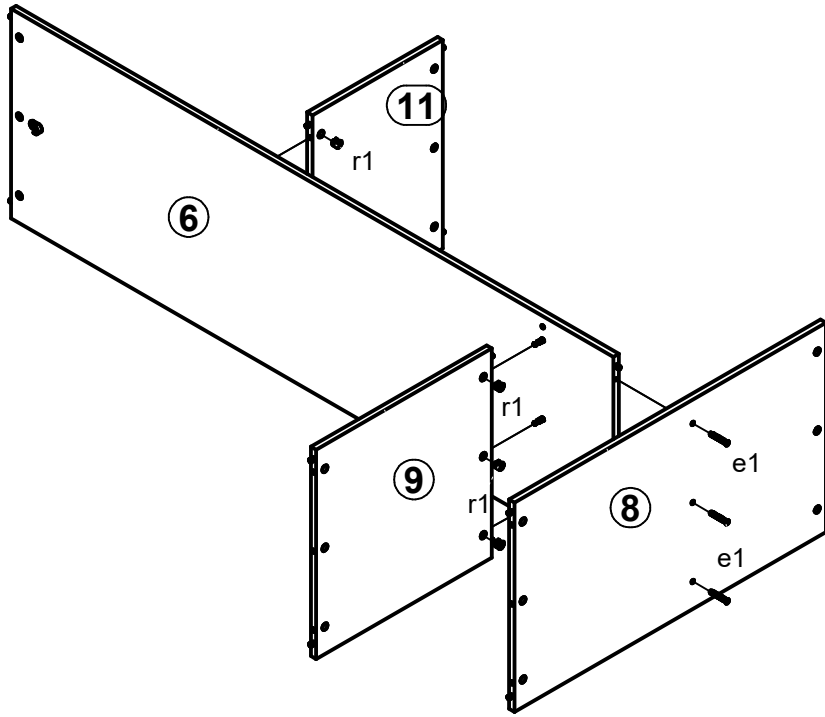
4



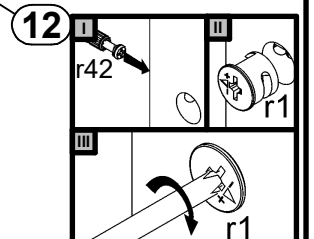
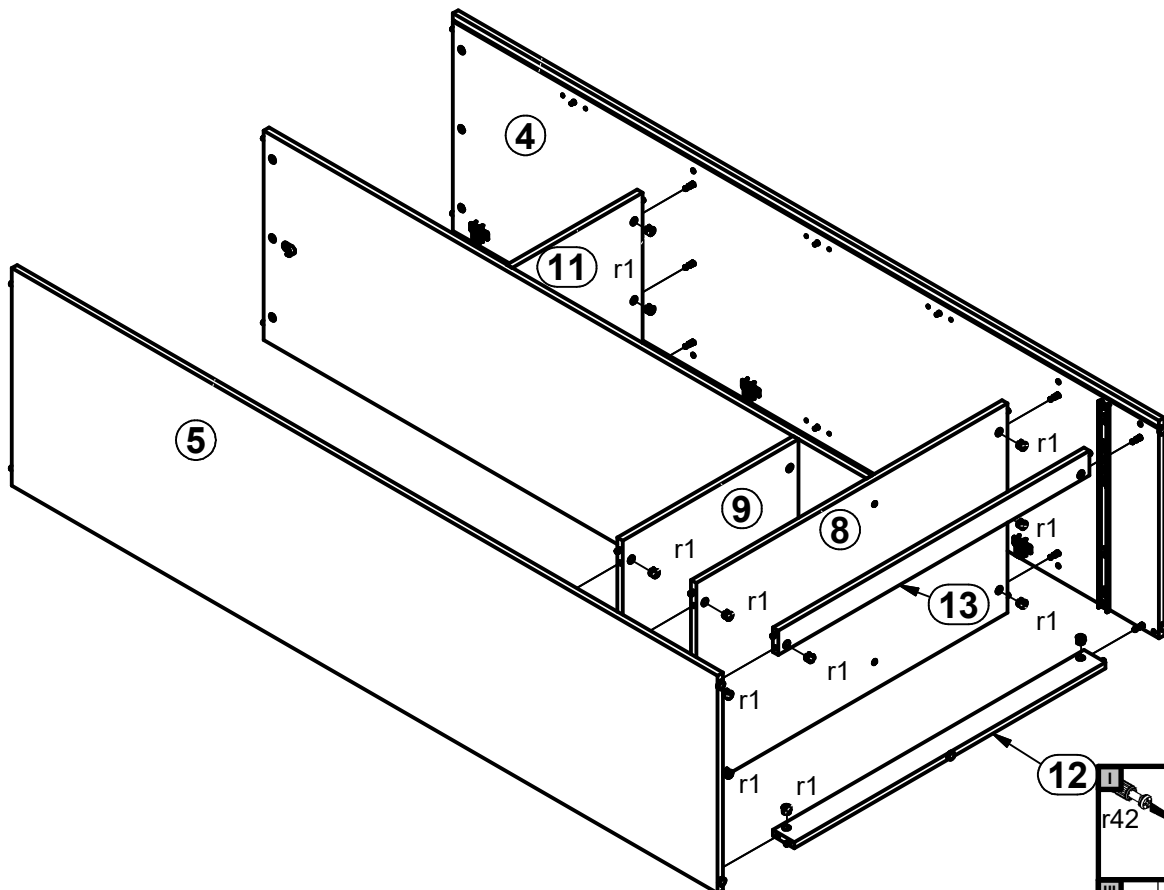
5



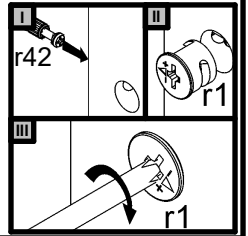
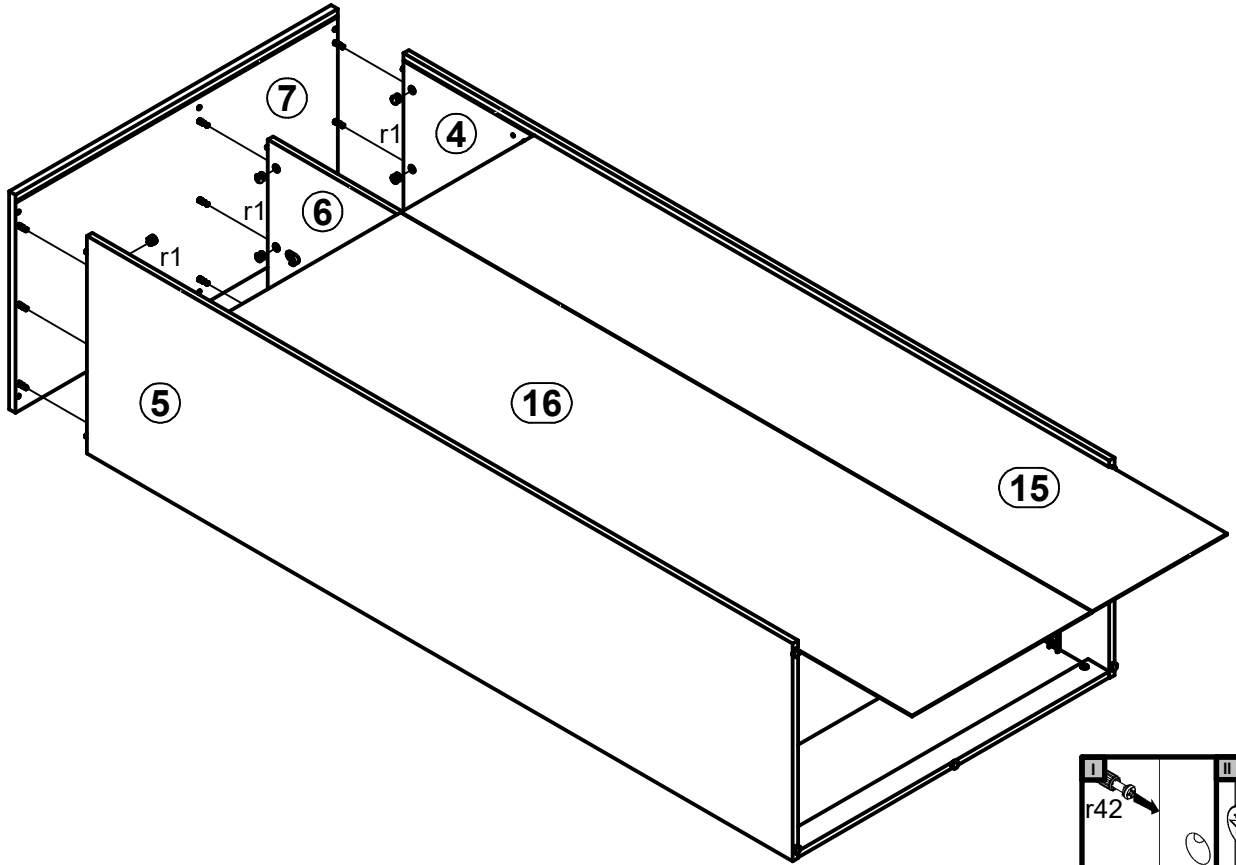
6



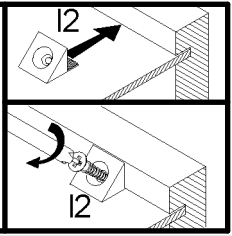
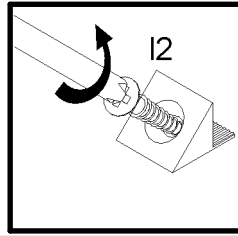
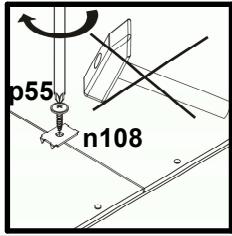
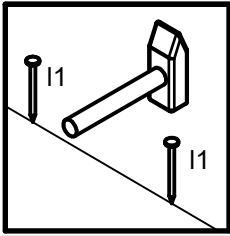
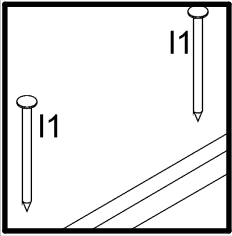
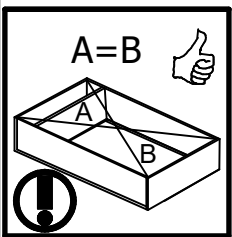
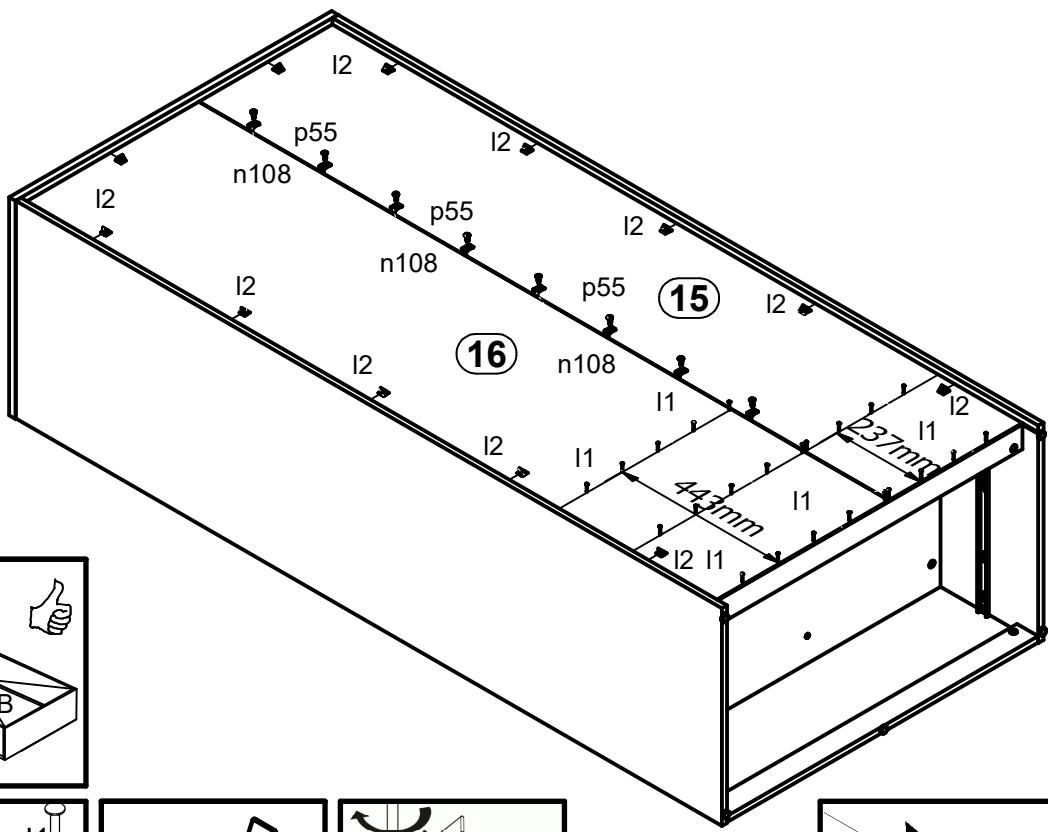
7



8



9



10

