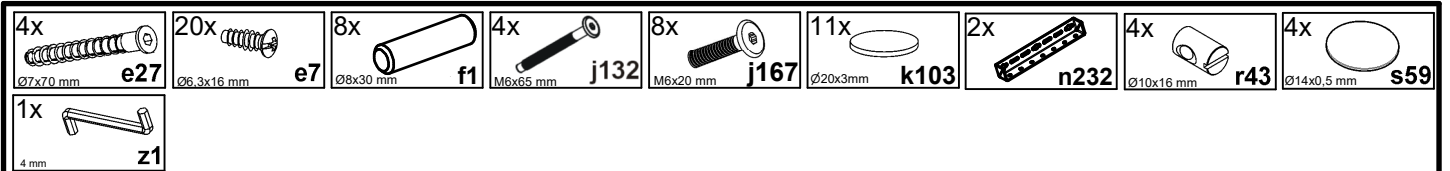
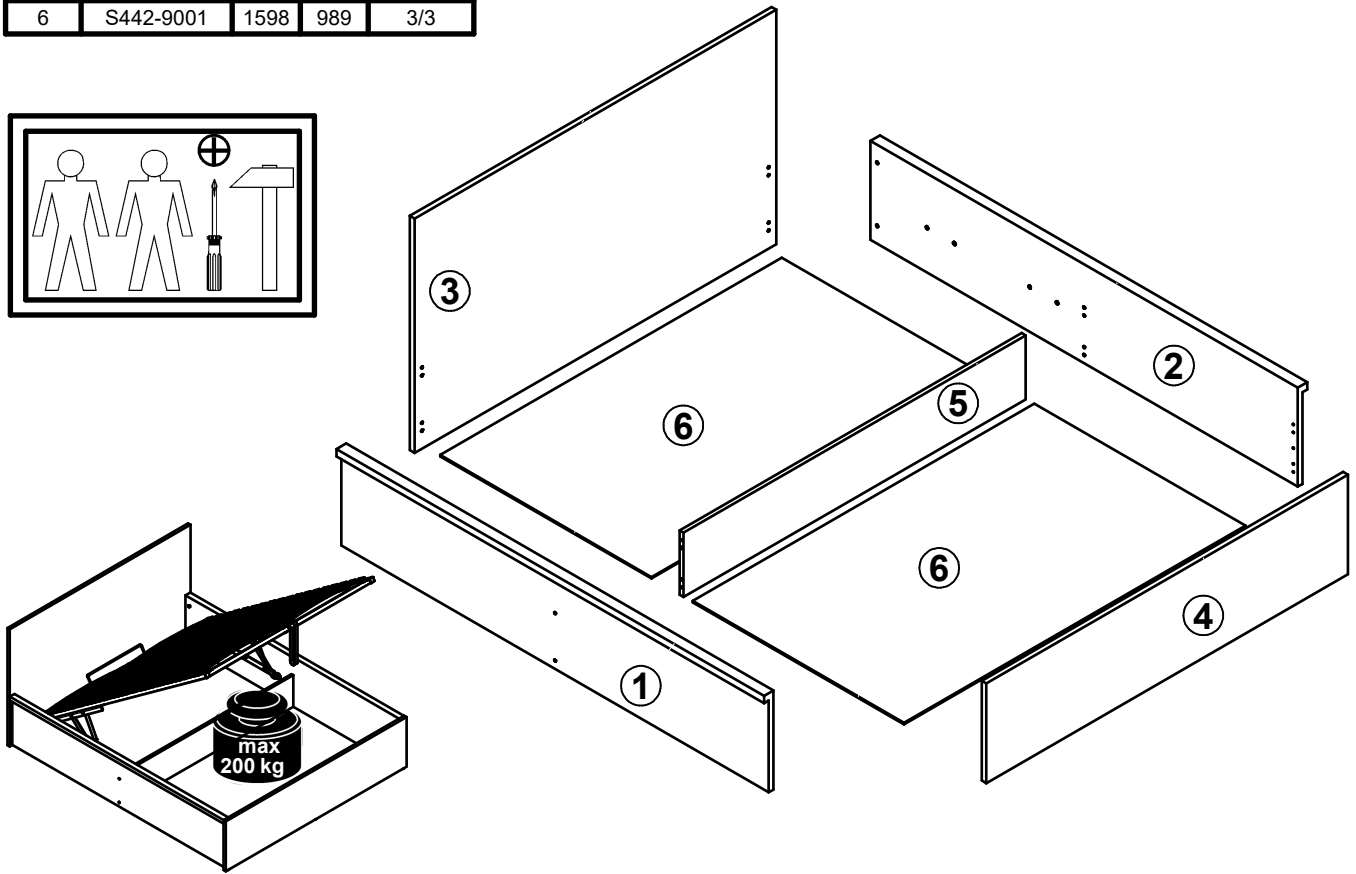
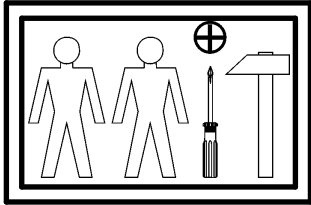


**A**

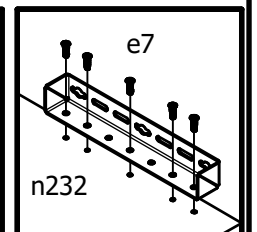
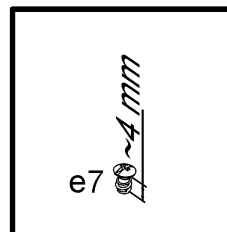
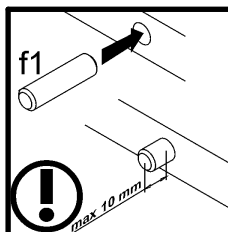
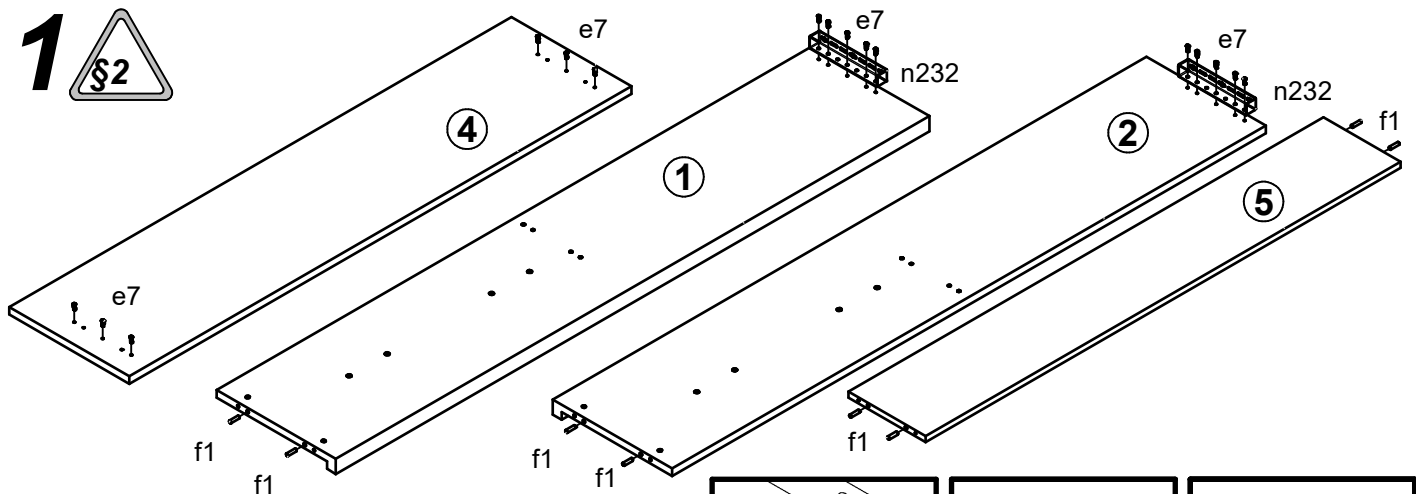
# TETRIX

**S442-LOZ/160/B**

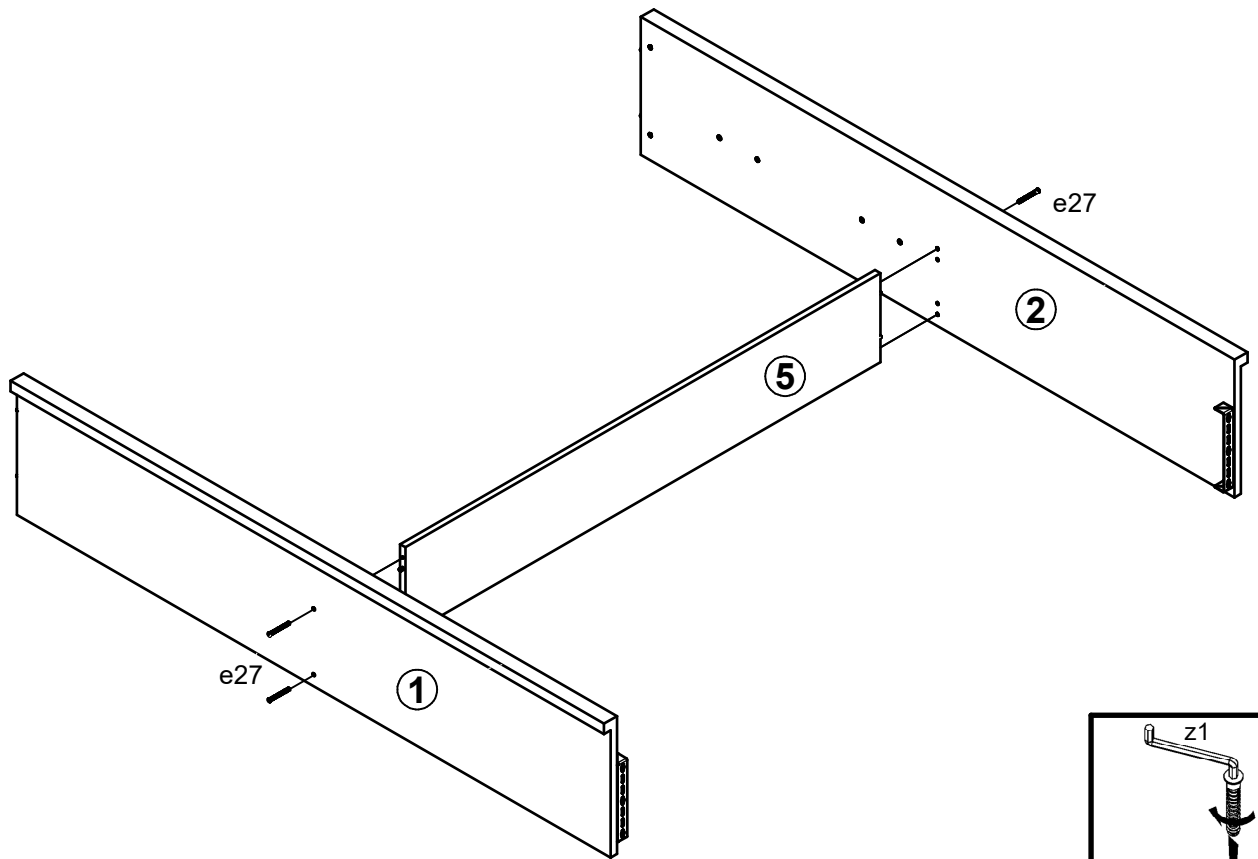
A	B	C	D	
1	S442-1001/A	2000	402	2/3
2	S442-1002/A	2000	402	2/3
3	S442-4001/A	1692	950	1/3
4	S442-4002/A	1692	404	1/3
5	S442-4004	1600	260	3/3
6	S442-9001	1598	989	3/3



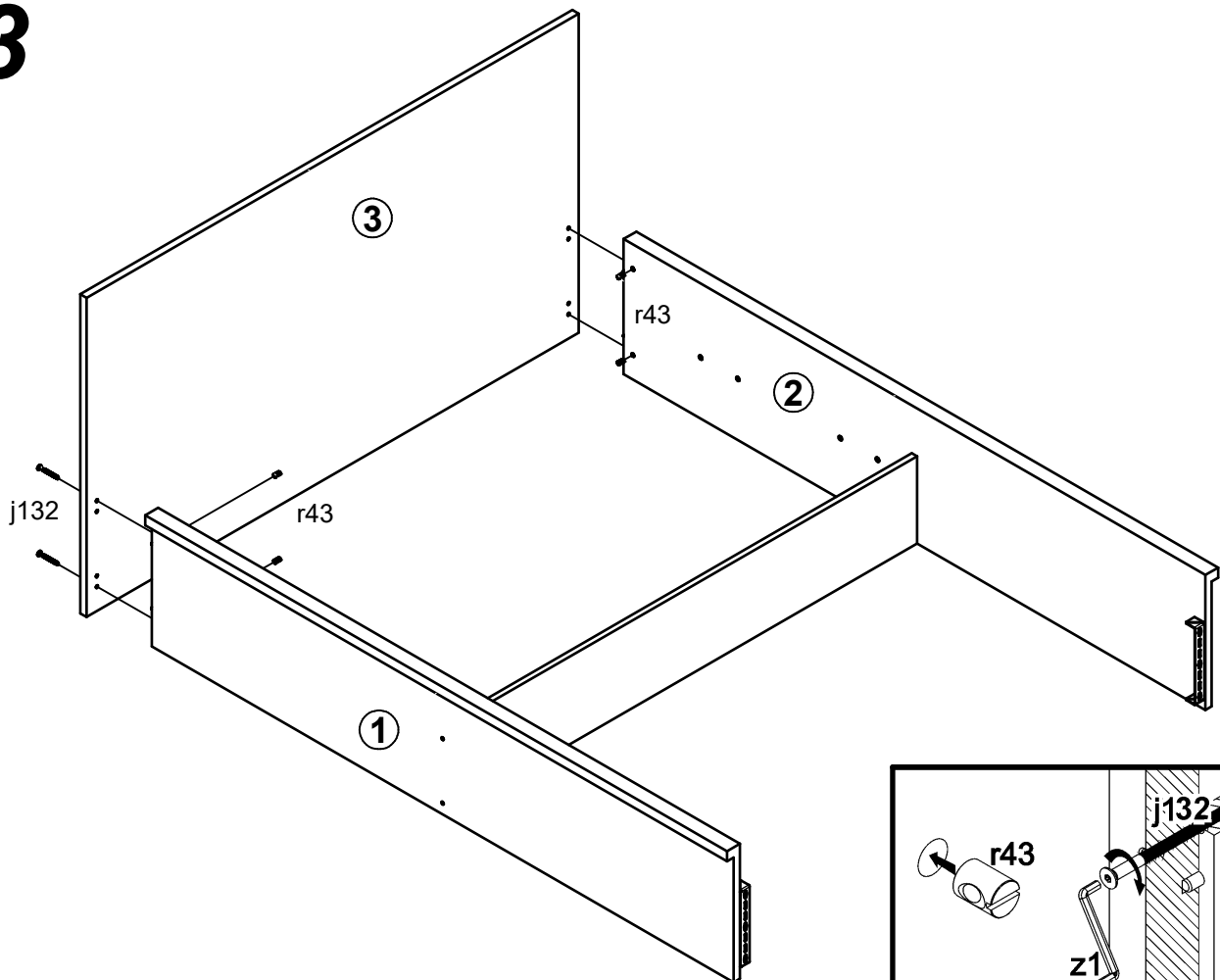
**1** §2



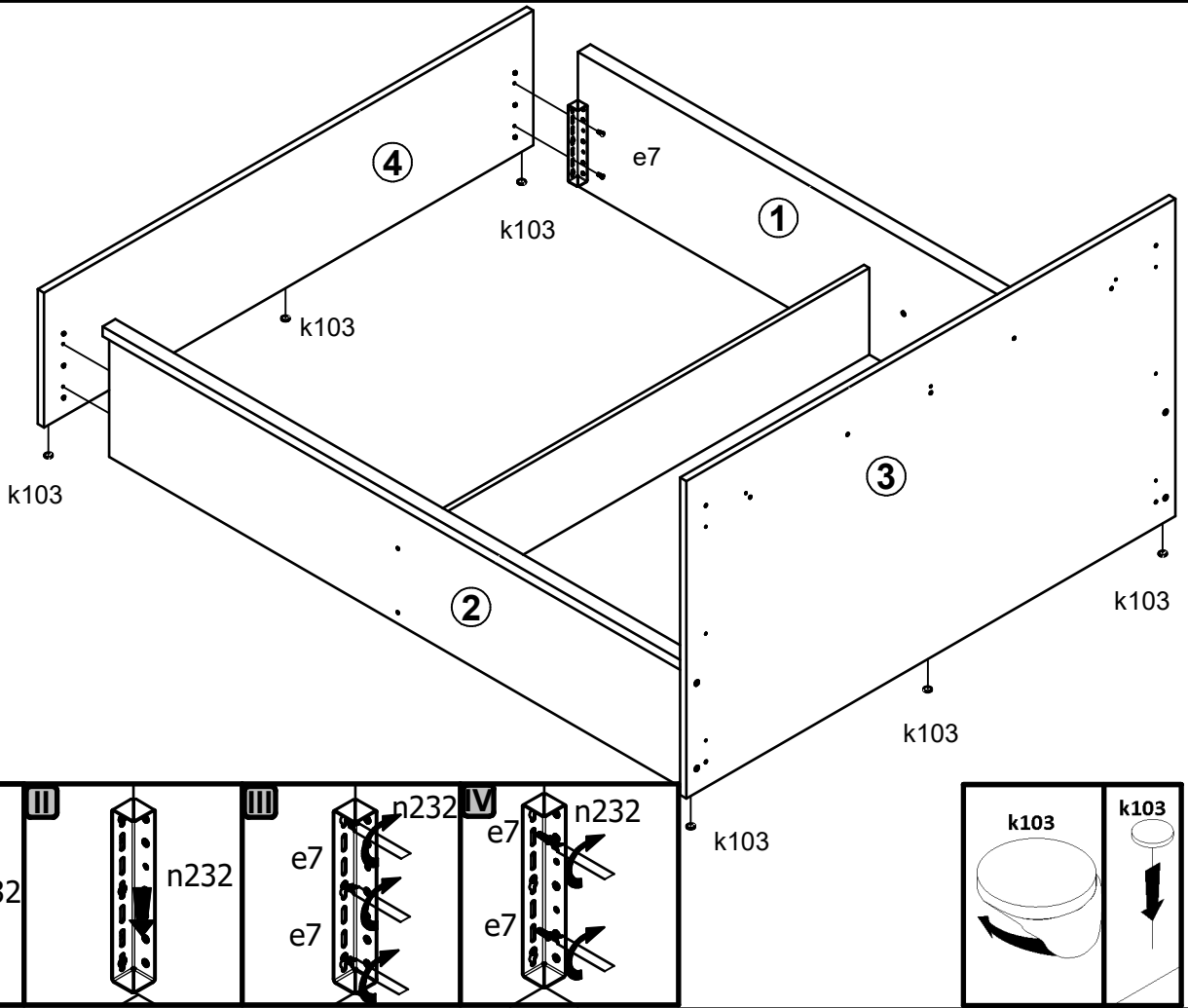
# 2



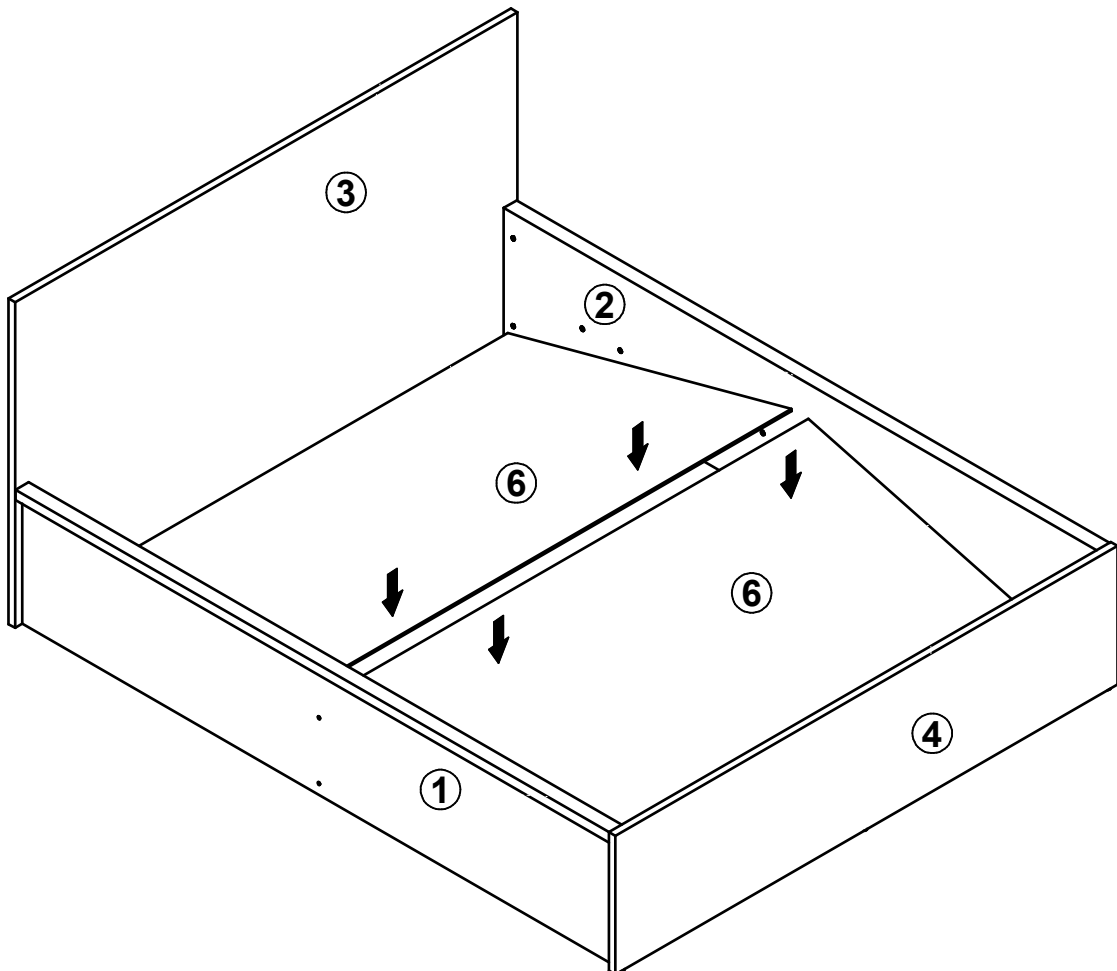
# 3



# 4



# 5



# 6

