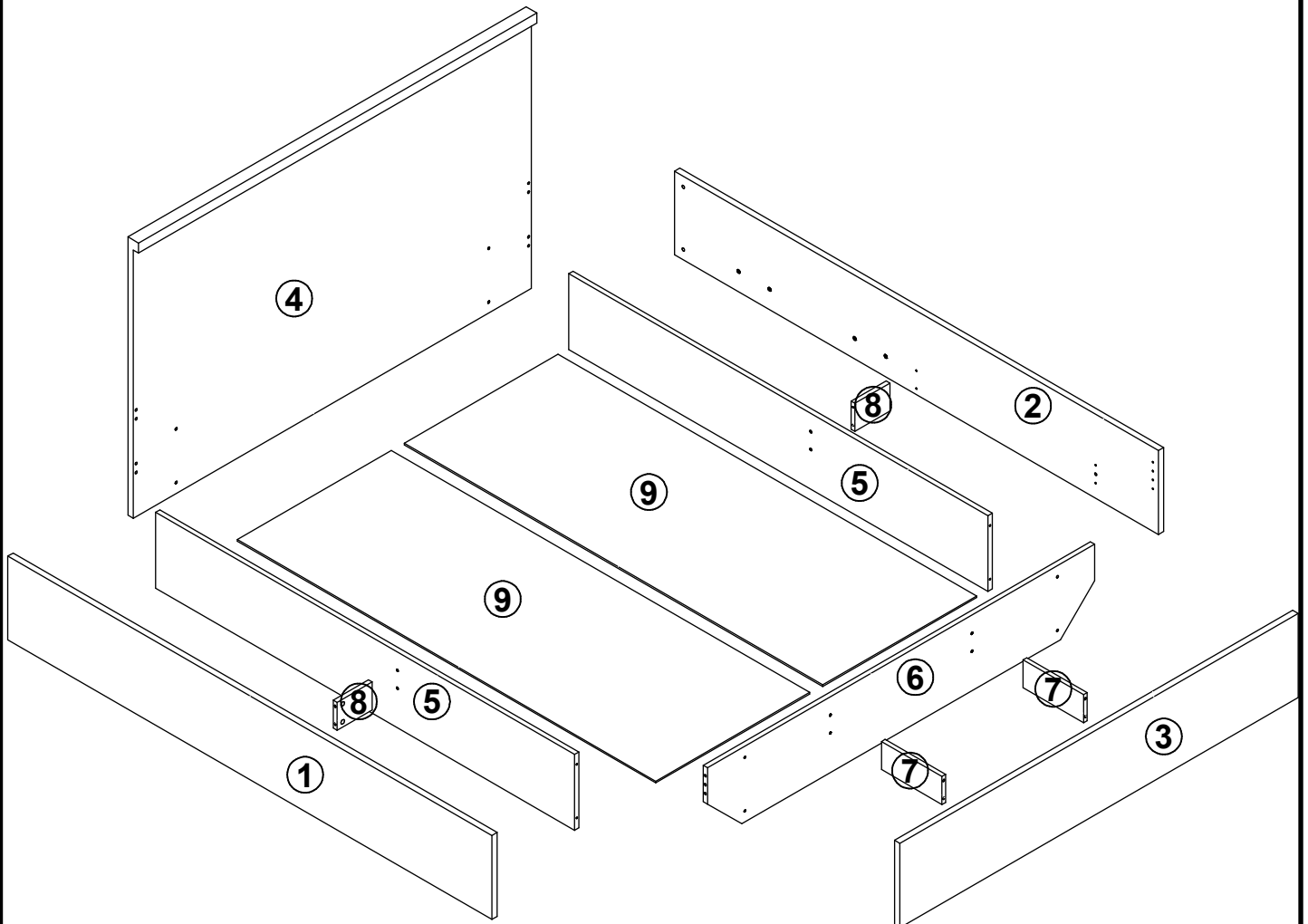
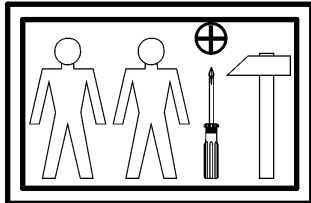
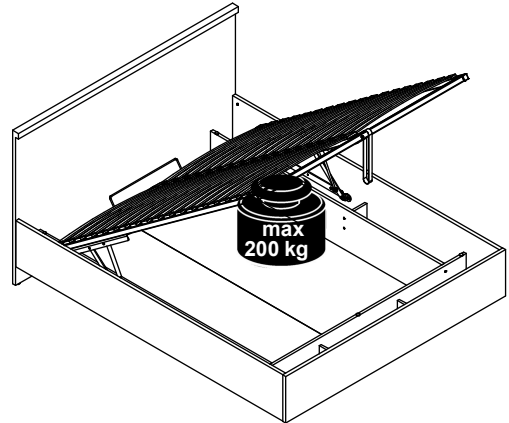
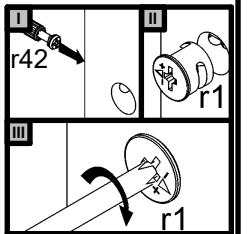
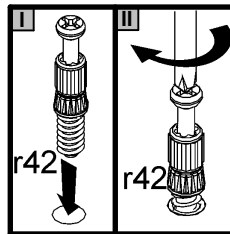
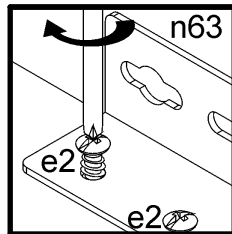
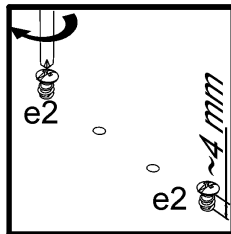
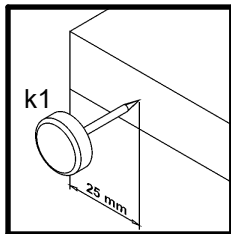
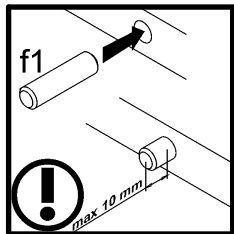
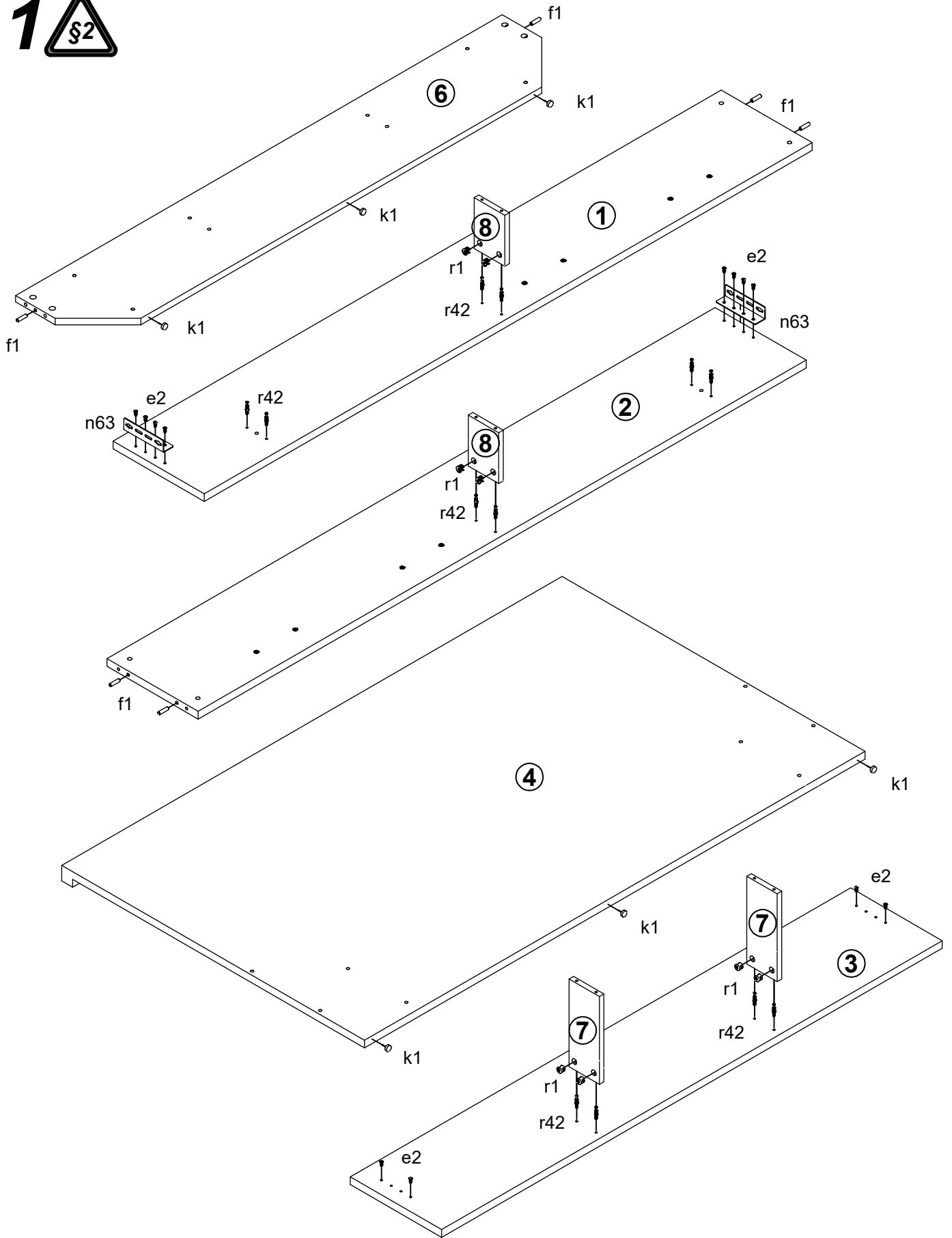


A	B	C		D
1	S426-1106	2000	300	3/5
2	S426-1107	2000	300	3/5
3	S426-4111	1646	301	3/5
4	S426-4112_A	1646	996	1/5
5	S426-4115	1732	271	2/5
6	S426-4116	1600	271	2/5
7	S426-4117	250	100	3/5
8	S426-4118	145	100	3/5
9	S426-9106	1730	636	1/5

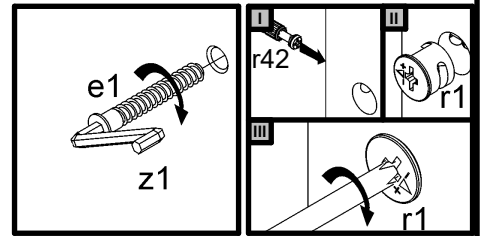
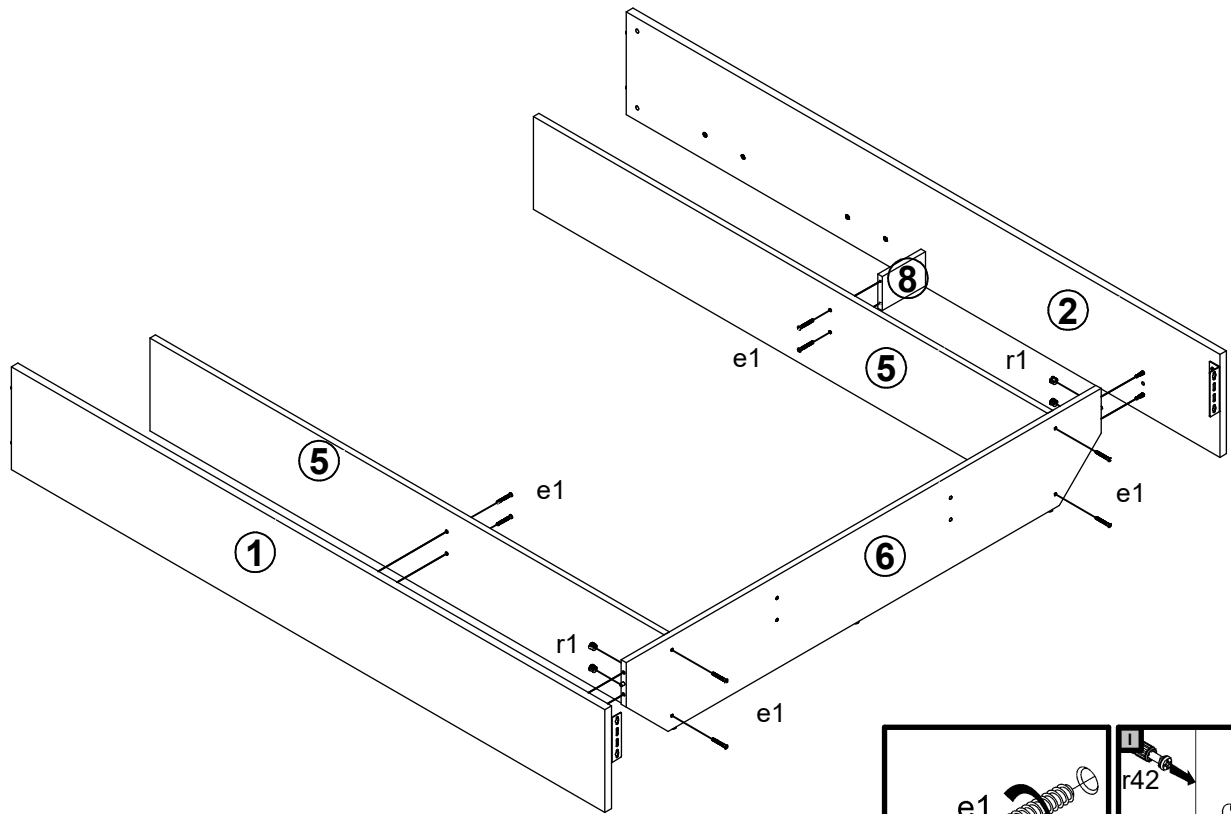


16x Ø7x50 mm e1	16x Ø6.3x13 mm e2	6x Ø8x30 mm f1	8x M6x20 mm j167	4x M6x70 mm j171	6x k1	2x 130x34x34/2 mm n63	12x Ø15x12 mm #16 r1	12x 20/11 r42
4x Ø10x16 mm r43	2x Ø14x0.5 mm s59	1x 4 mm z1	5x Ø20x3mm k103					

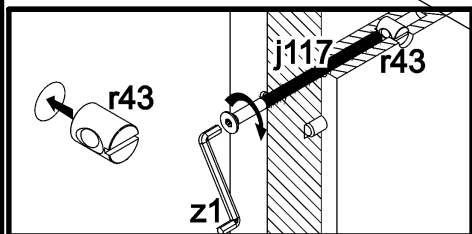
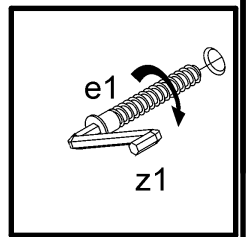
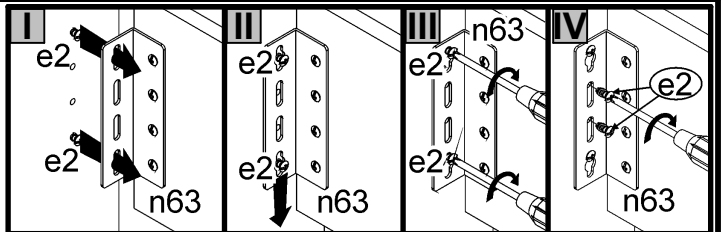
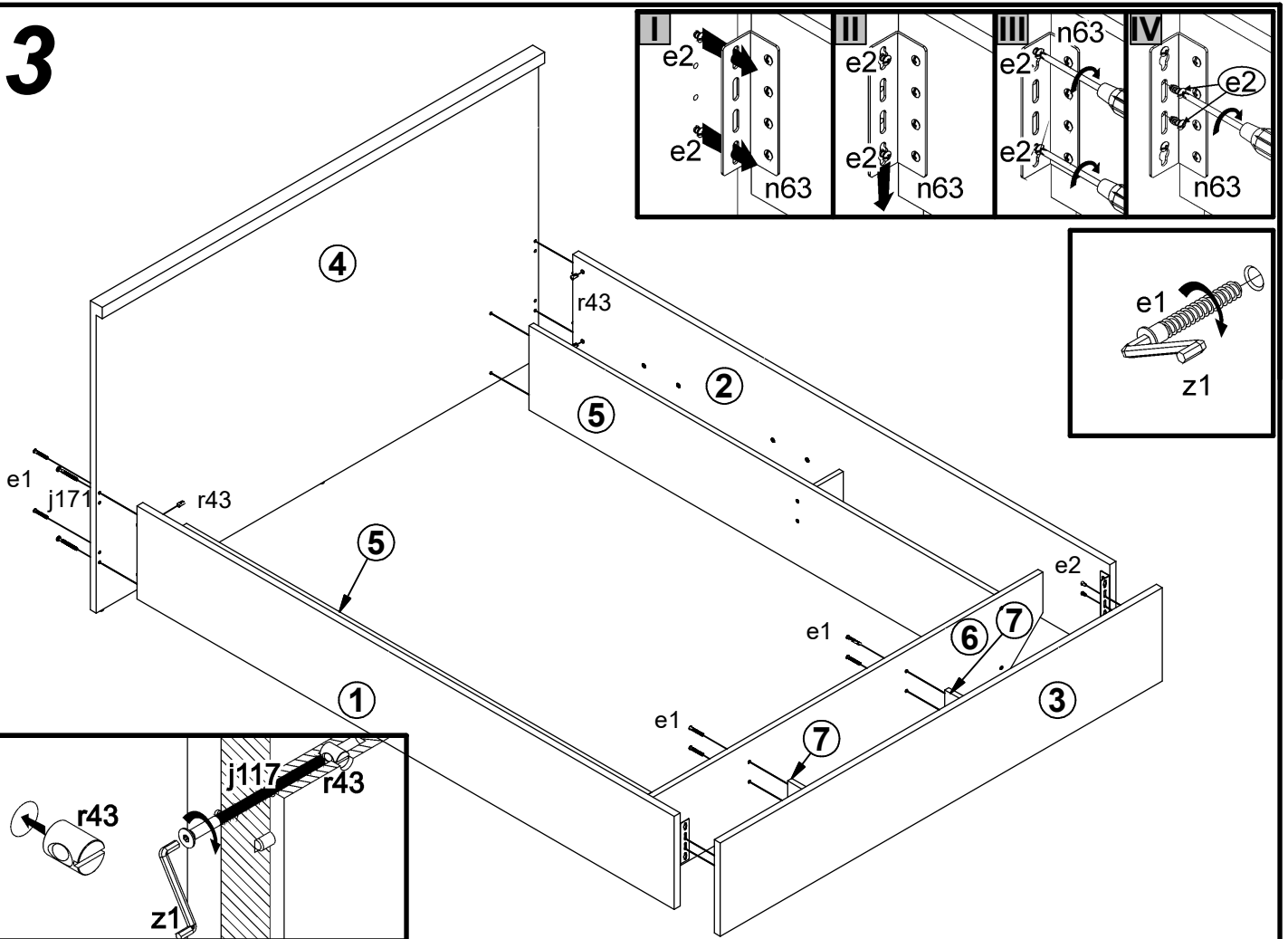
1 



2



3



4

