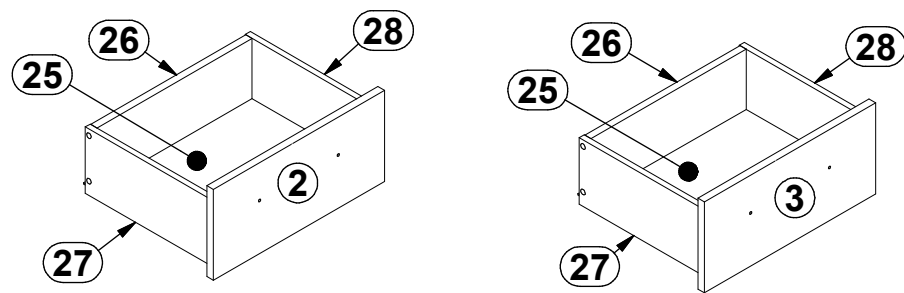
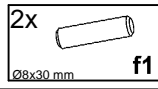
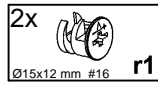
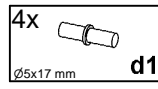
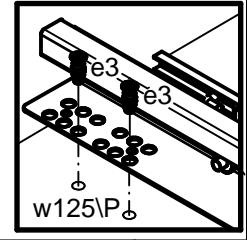
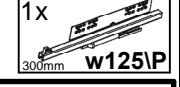
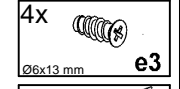
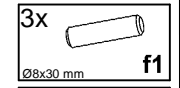
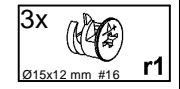
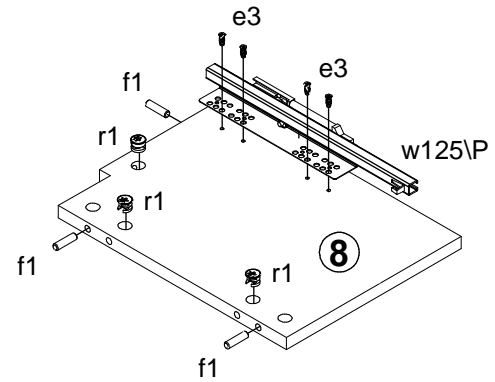
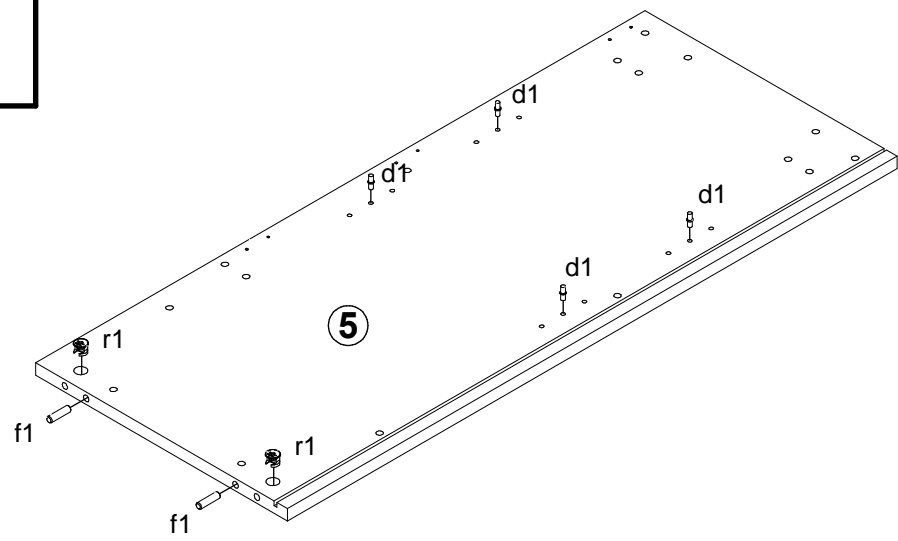
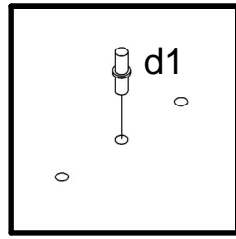
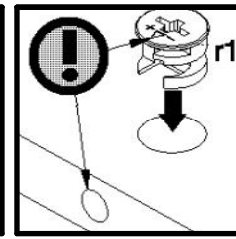
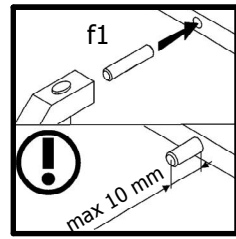
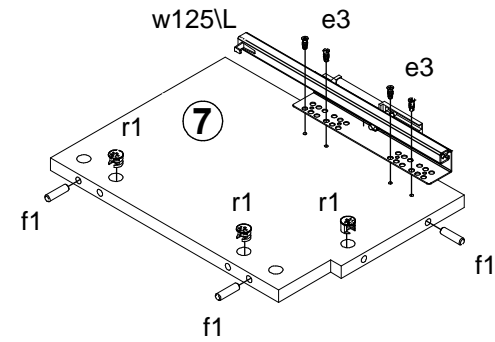
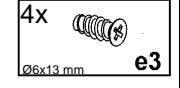
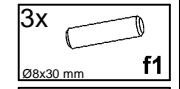
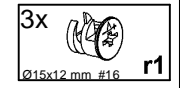
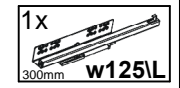
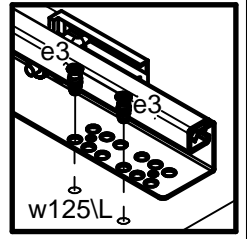
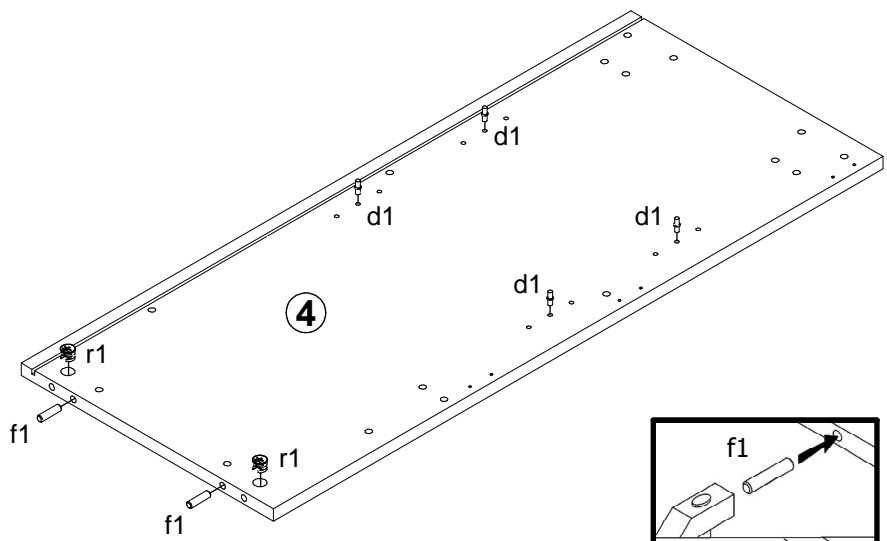
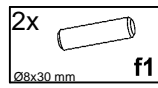
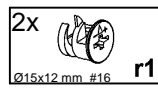
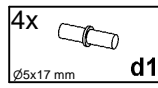


A	B	C1	C2	C3	D
1	M244-0004	416	548	16	1/2
2	M244-0005	417	192	16	1/2
3	M244-0006	417	192	16	1/2
4	M244-1006	914	378	16	2/2
5	M244-1007	914	378	16	2/2
6	M244-1008	820,5	358	16	2/2
7	M244-1009	262	358	16	2/2
8	M244-1010	262	358	16	2/2
9	M244-2003	966	378	16	2/2
10	M244-3008	934	358	16	2/2
11	M244-3009	458	354,	16	1/2
12	M244-4001	459,	60	16	1/2
13	M244-5055	910	80	22	1/2
14	M244-5056	910	80	22	1/2
15	M244-5057	920	58,	22	1/2
16	M244-5058	910	58,	22	1/2
17	M244-5501	378	80	22,	1/2
18	M244-5502	262	80,	19,	1/2
19	M244-5557	1011	80	22,	1/2
20	M244-5558	850	80,	19,	1/2
21	M244-5559	932	40	16	1/2
22	M244-9002	840	472,	2,5	1/2
23	M244-9003	840	472,	2,5	1/2
24	S228-531	147	100	16	2/2
25	WSP-9278	388	308	2,5	2/2
26	ZQ6-5070	378	127	15	2/2
27	ZQ6-509	300	140	12	2/2
28	ZQ6-510	300	140	12	2/2



4x a132	2x a133	4x b82	4x c280\1 192mm	16x d1 Ø5x17 mm	6x d41\1	6x d41\2
11x e1 Ø7x50 mm	16x e3 Ø6x13 mm	20x e22 Ø7x28 mm	21x f1 Ø8x30 mm	2x f6 Ø8x50 mm	8x f13 Ø8x20 mm	8x f25 Ø6,5x40 mm
8x j30 M4x22 mm	7x k1	2x k101 83x83x11	10x l1	6x l2	5x n108 20x13x3,5\1	3x p9 Ø4x30 mm
56x p38 Ø3,5x16 mm	8x p51 Ø3,5x15 mm	9x p55 Ø2,9x16 mm	4x p79 Ø3,5x20 mm	12x r1 Ø15x12 mm #16	8x r15 Ø12x10,5 mm #12	20x r42
2x w125P 300mm	2x w125L 300mm	1x z1	1x f35 Ø10x50 mm	1x n14\2 8x21x15\1,5	1x p17 Ø5x60 mm	2x p38 Ø3,5x16 mm

A M244-KOM2D2S/10/10

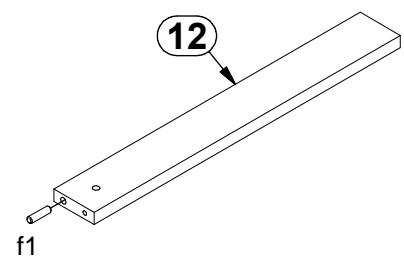
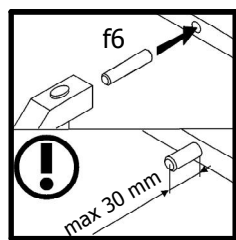
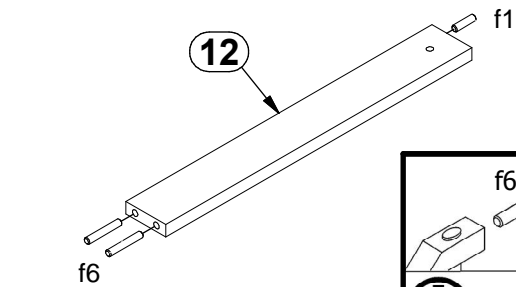
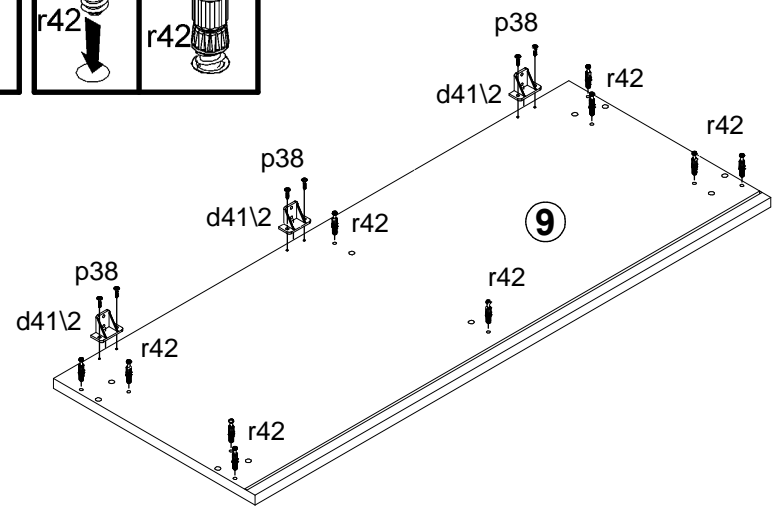
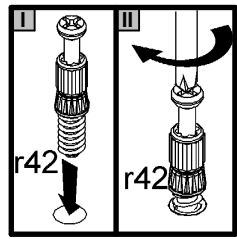
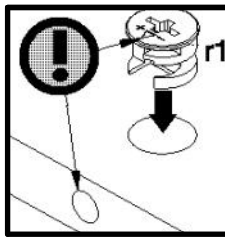
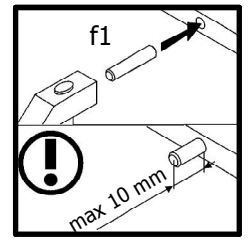
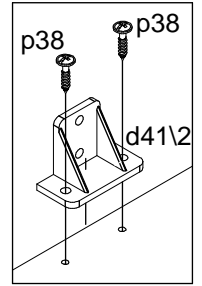
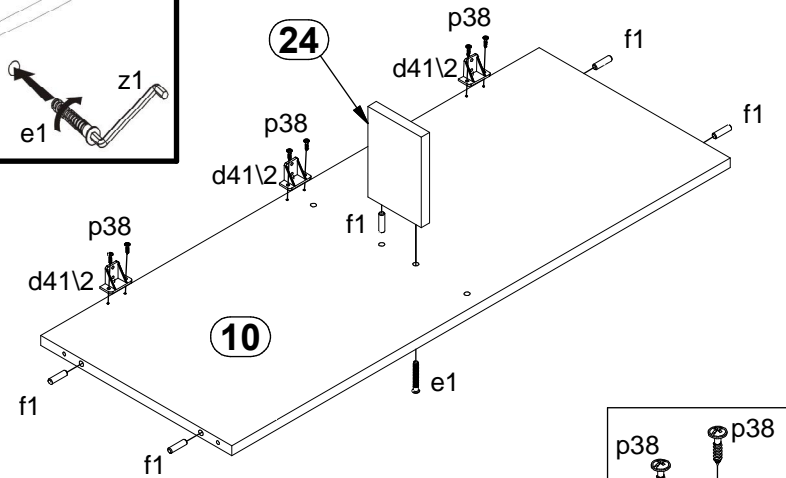
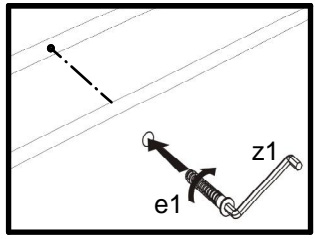
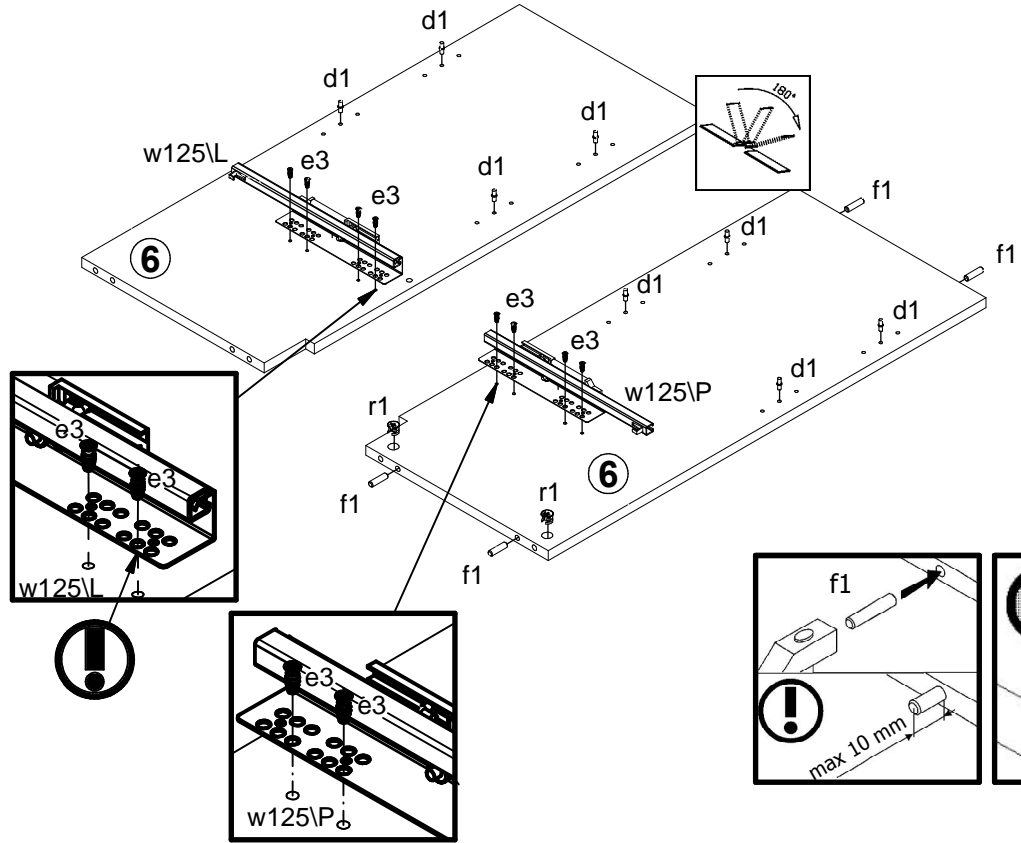


A M244-KOM2D2S/10/10

- 1x 300mm w125\P
- 1x 300mm w125\L
- 4x Ø8x30 mm f1
- 8x Ø6x13 mm e3
- 8x Ø5x17 mm d1
- 2x Ø15x12 mm #16 r1

1

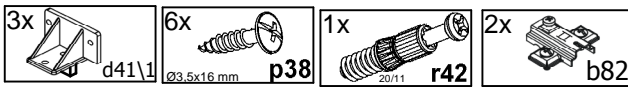
- 6x Ø3.5x16 mm p38
- 3x d41\2
- 1x Ø7x50 mm e1
- 5x Ø8x30 mm f1



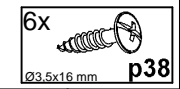
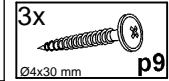
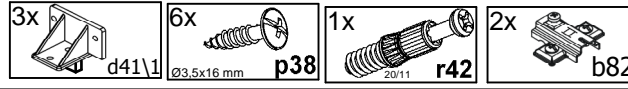
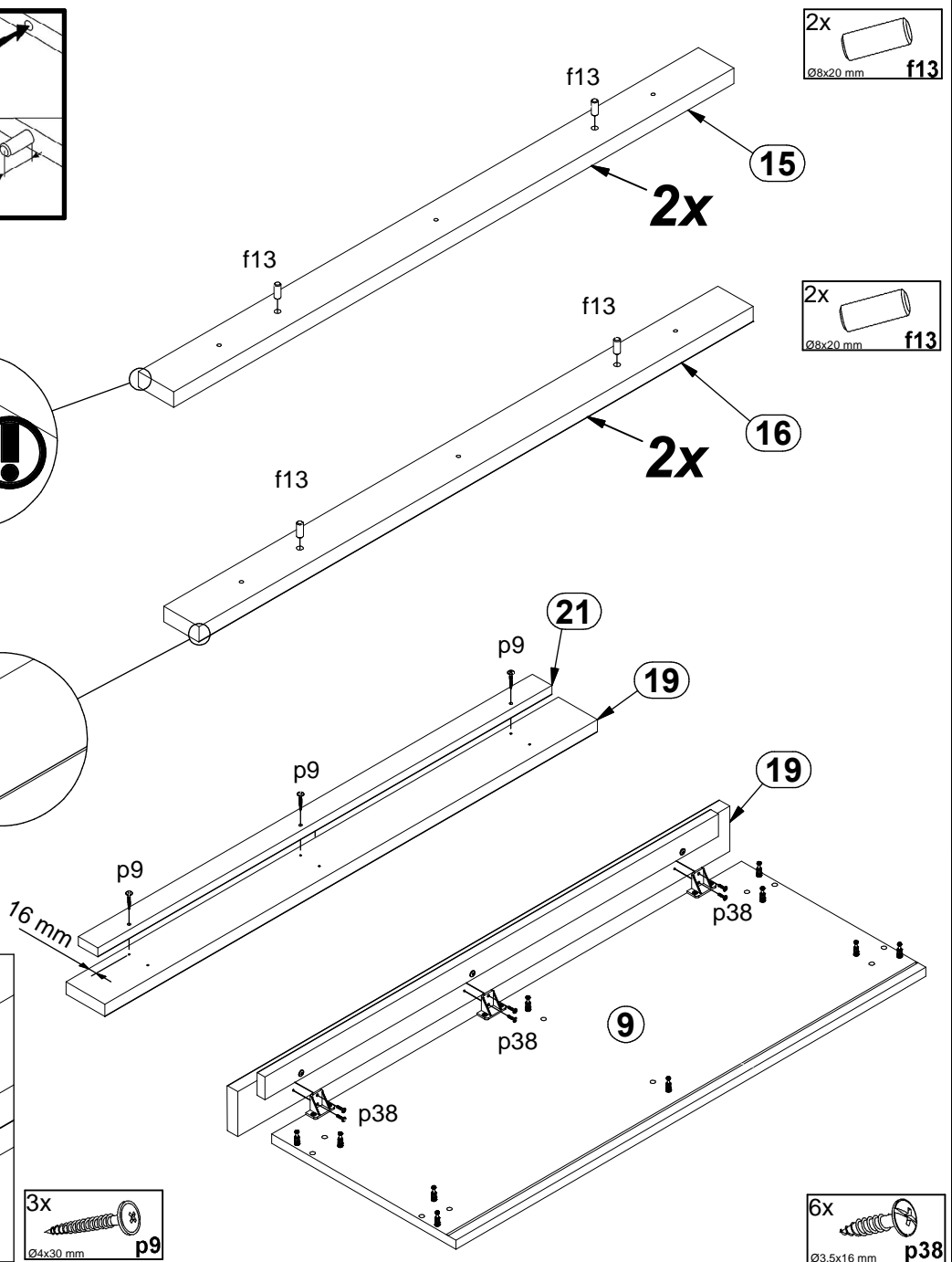
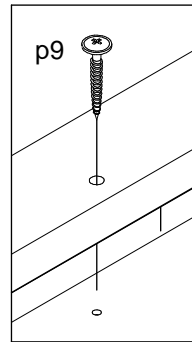
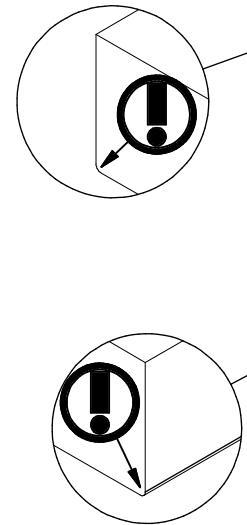
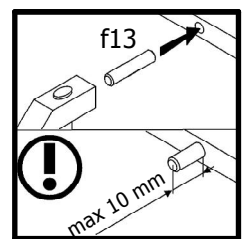
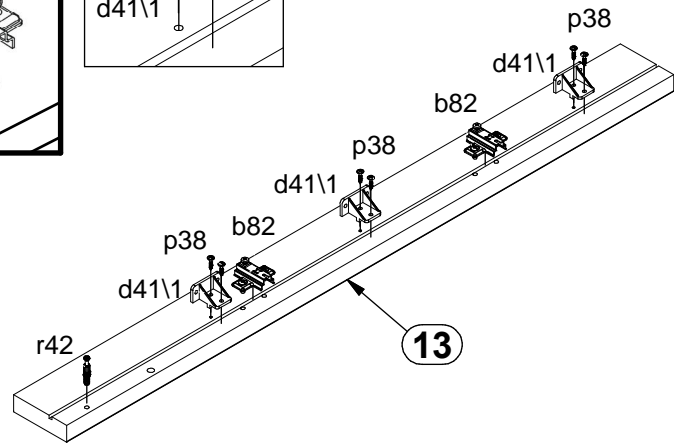
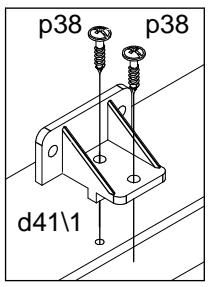
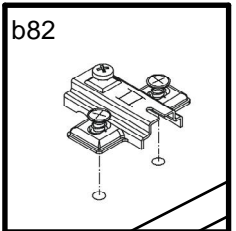
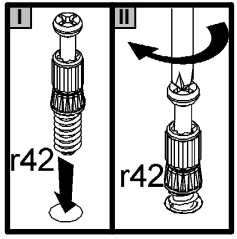
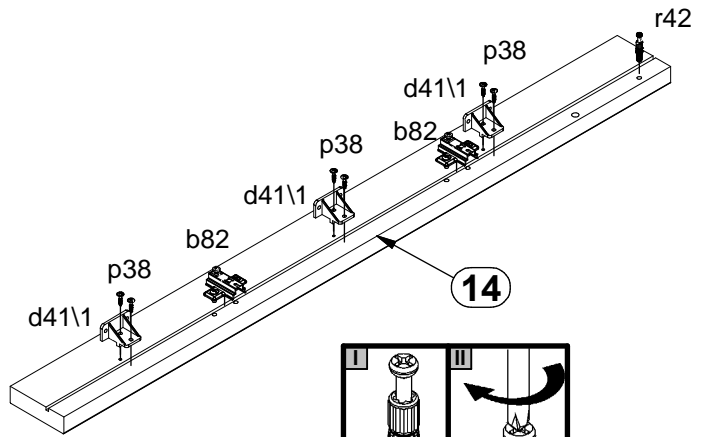
- 1x Ø8x30 mm f1
- 2x Ø8x50 mm f6

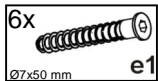
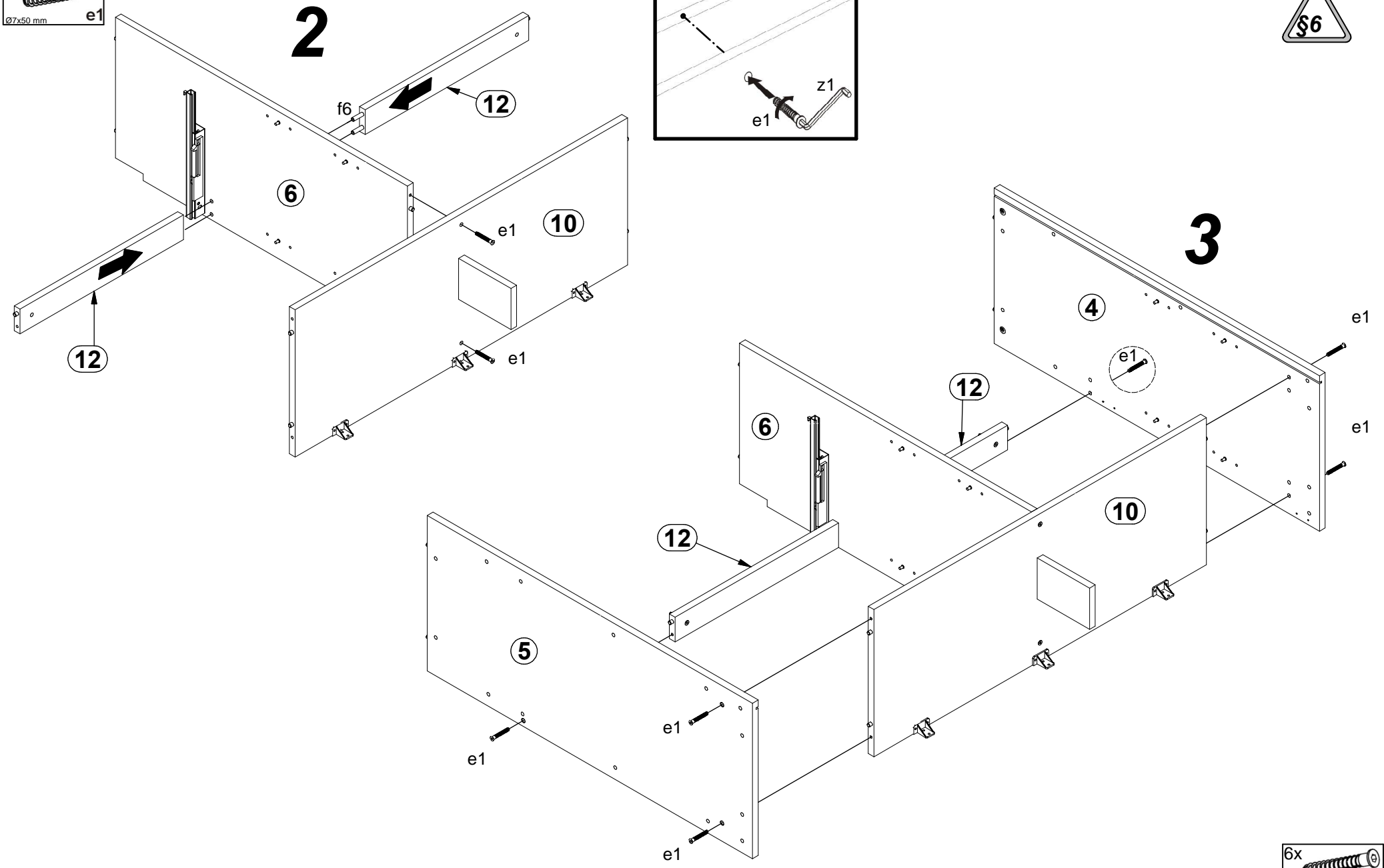
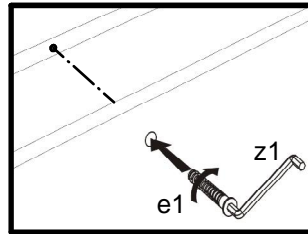
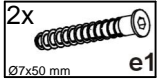
- 1x Ø8x30 mm f1

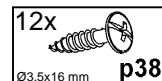
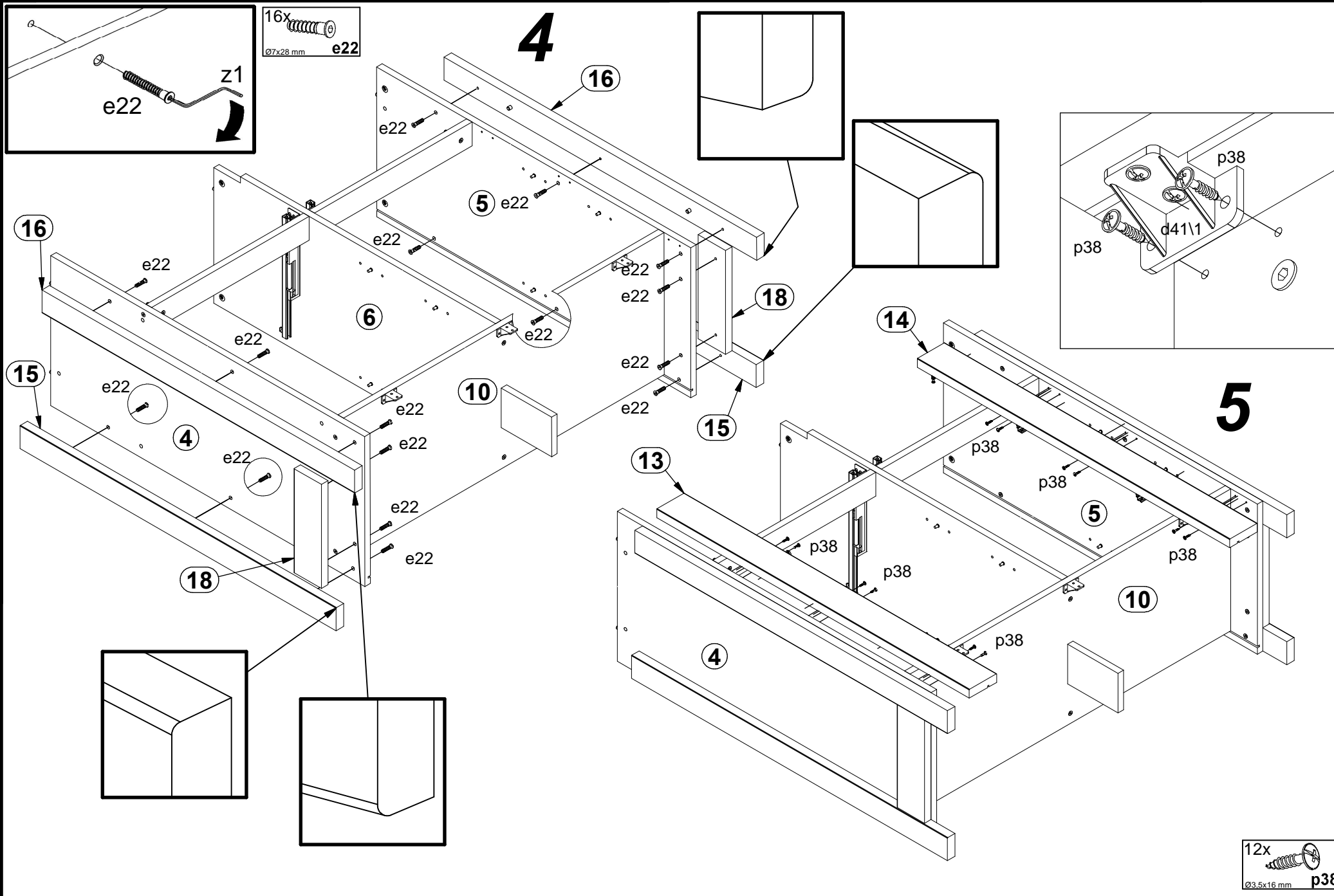
- 6x Ø3.5x16 mm p38
- 3x d41\2
- 10x Ø8x30 mm r42

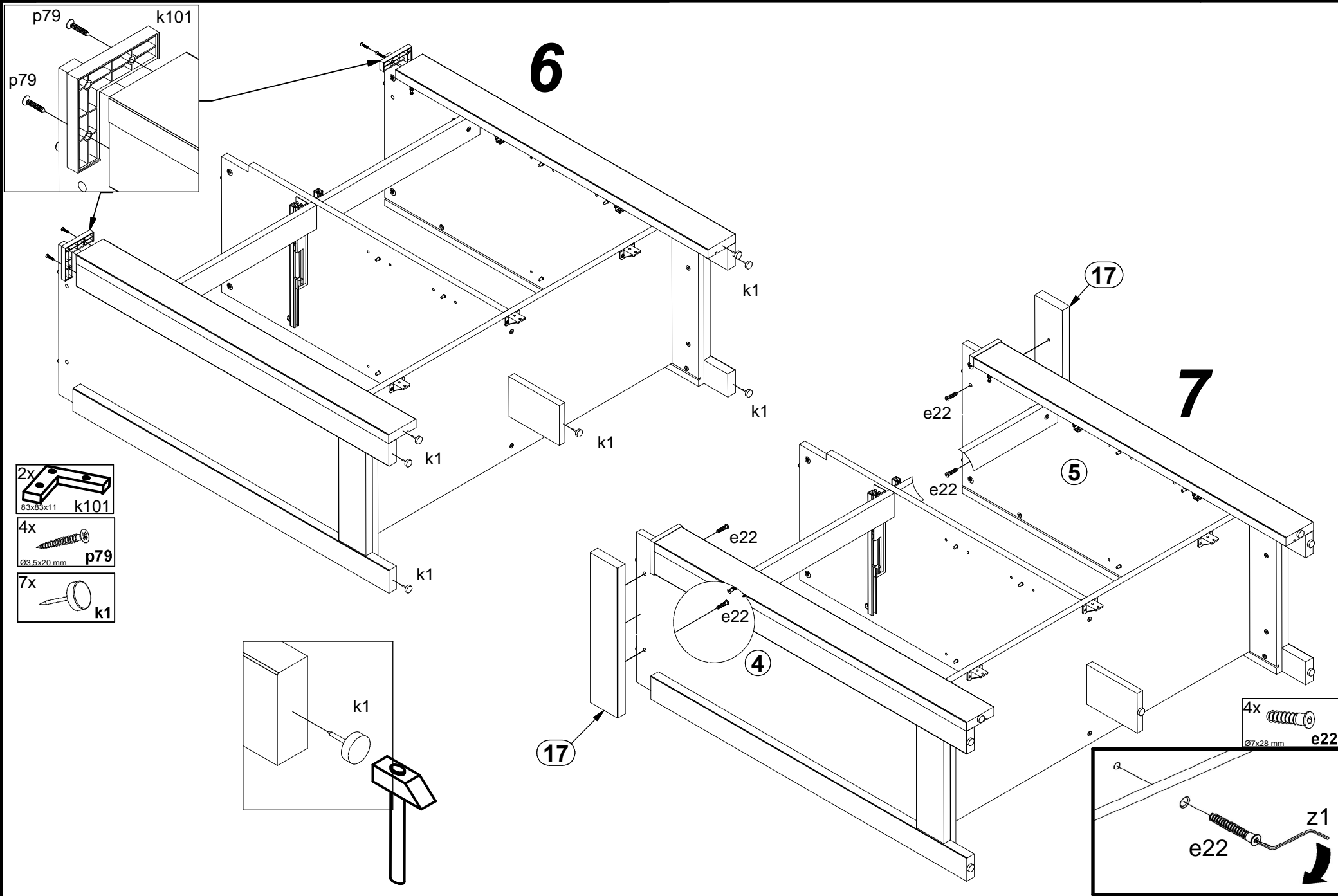


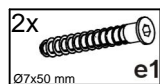
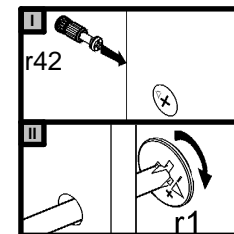
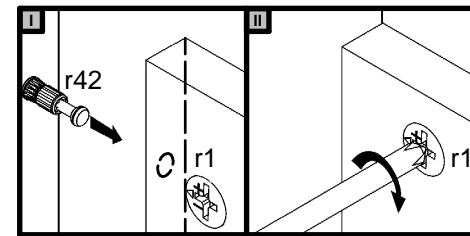
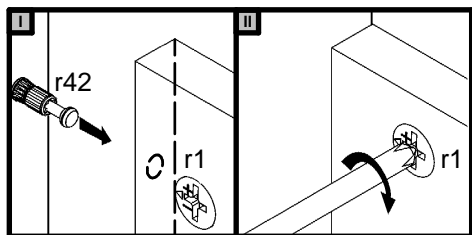
1



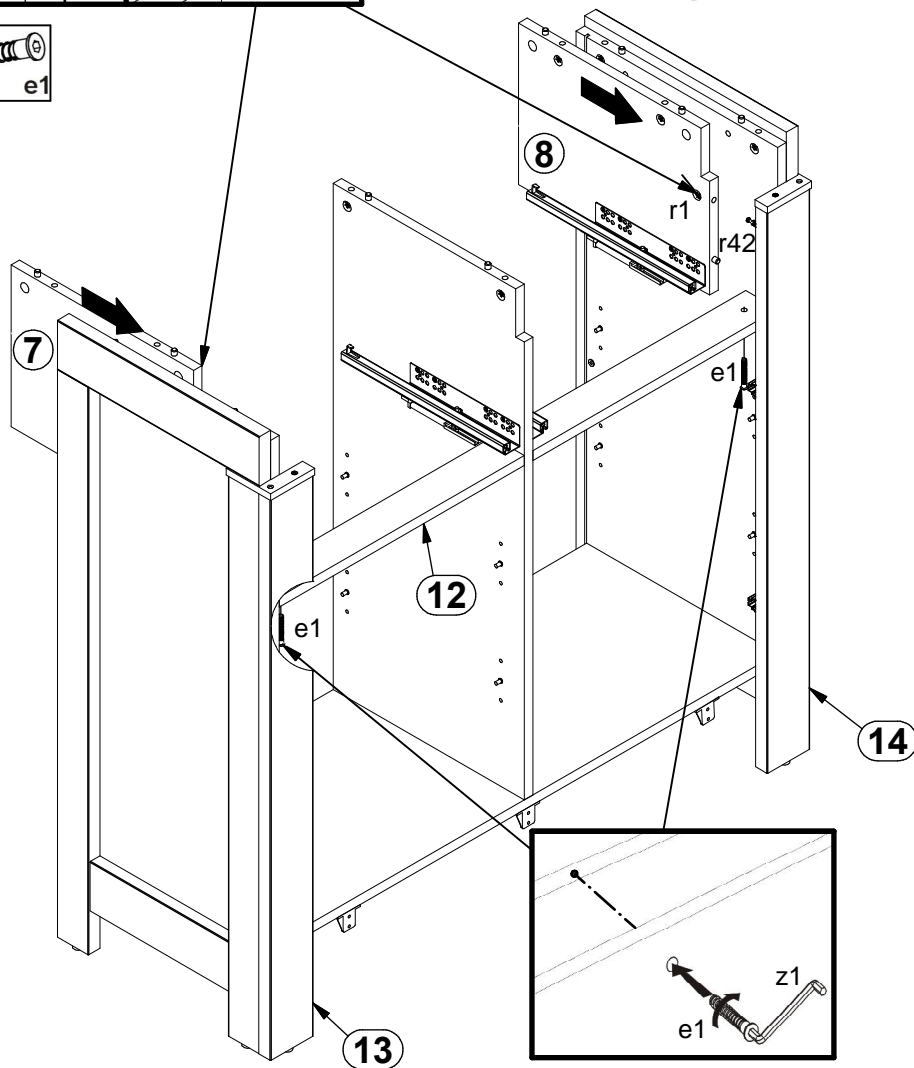




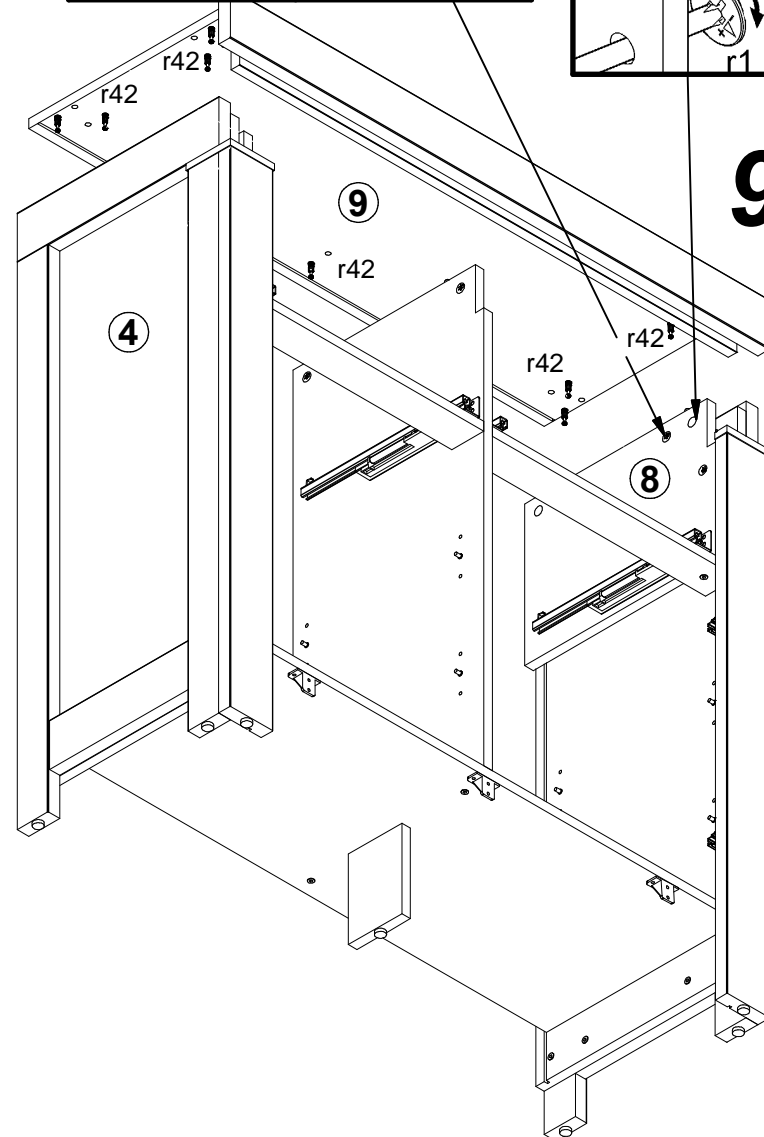


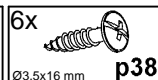
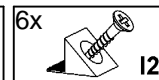
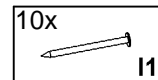
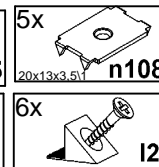
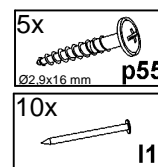
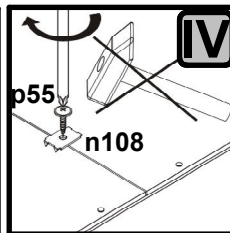
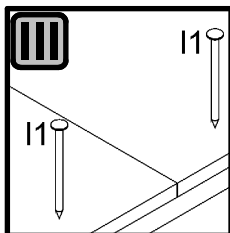
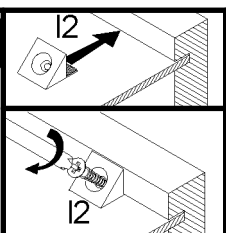
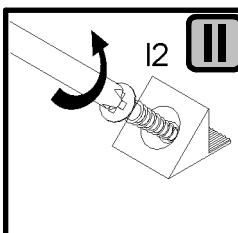
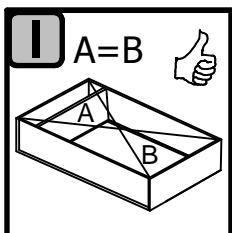
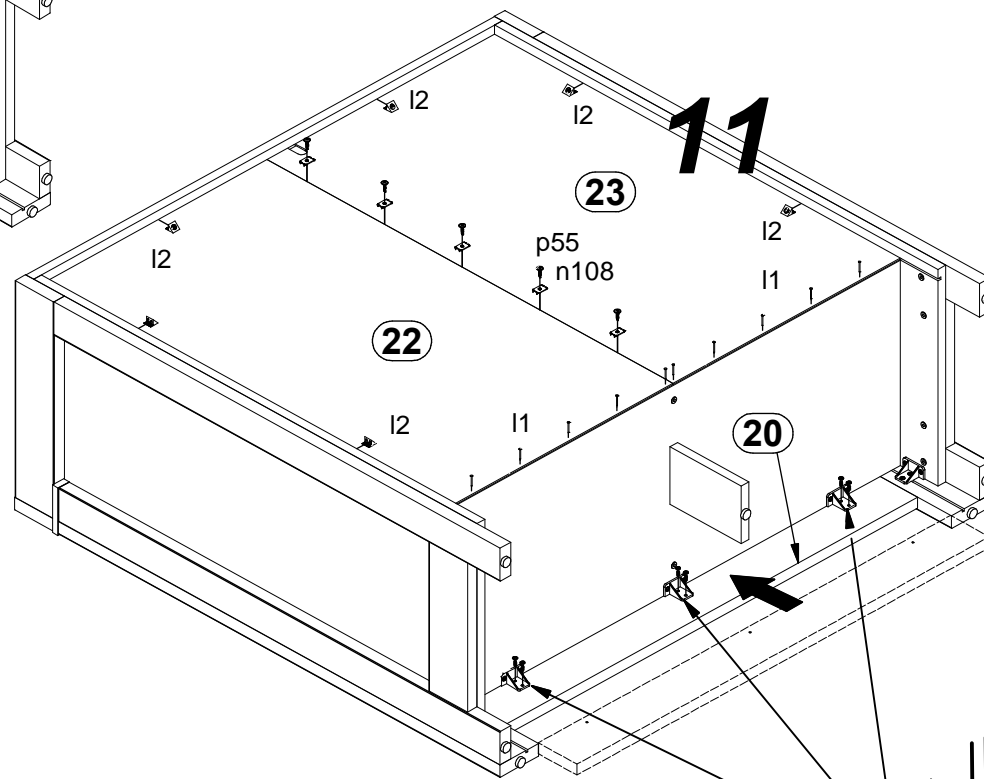
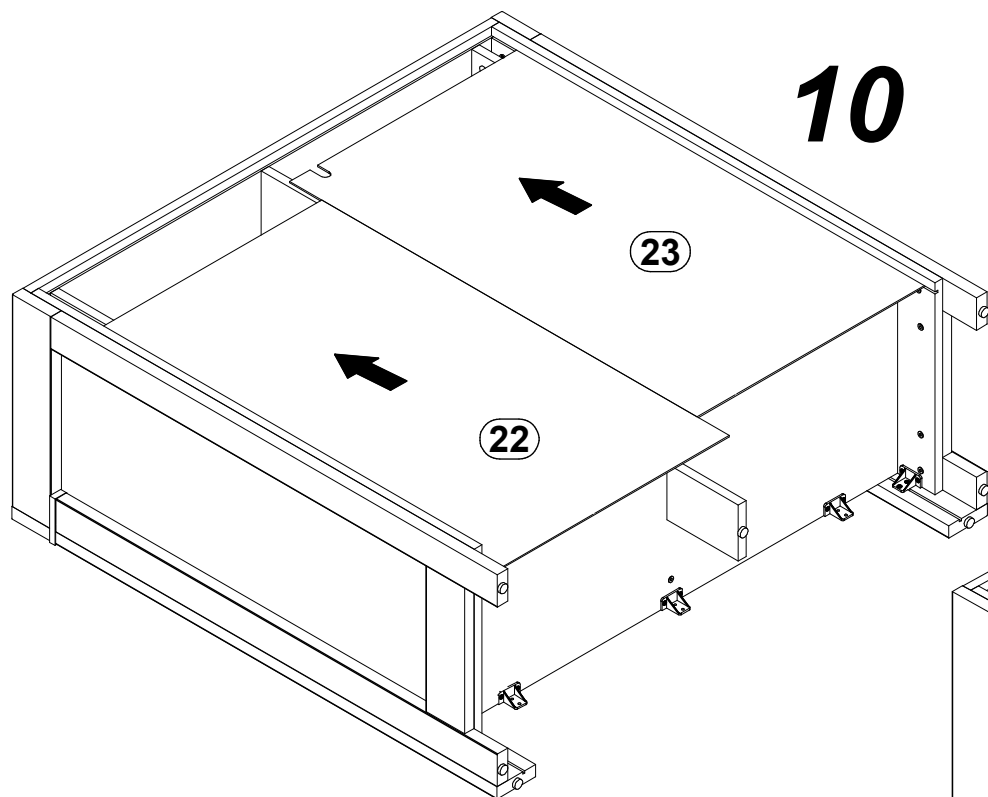


8

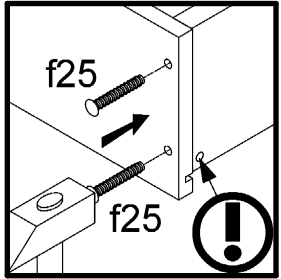


9

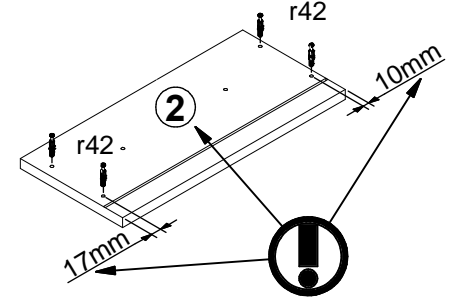
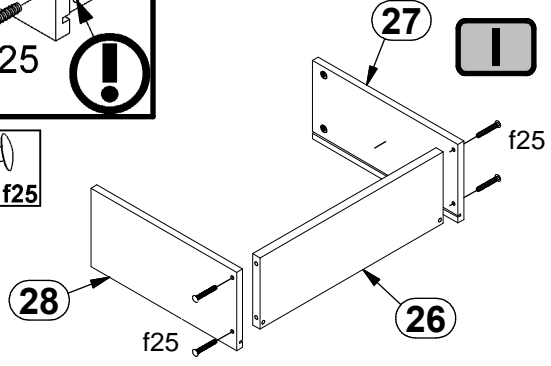
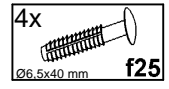
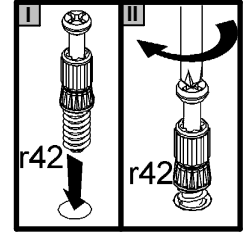




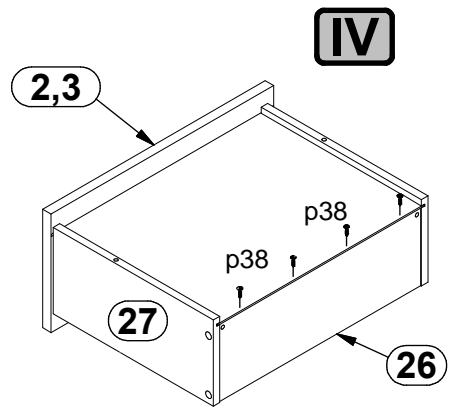
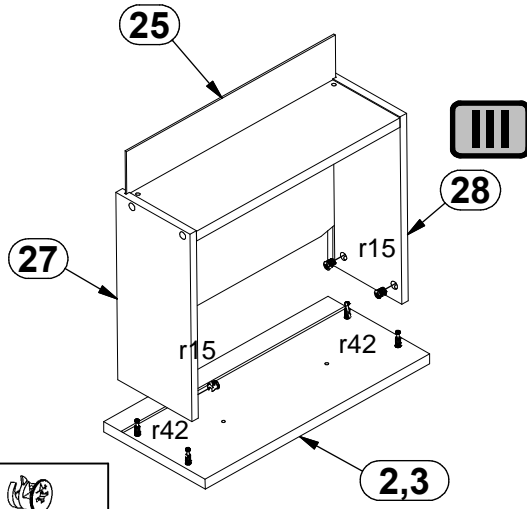
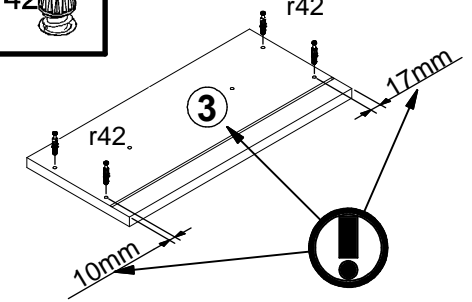
12 



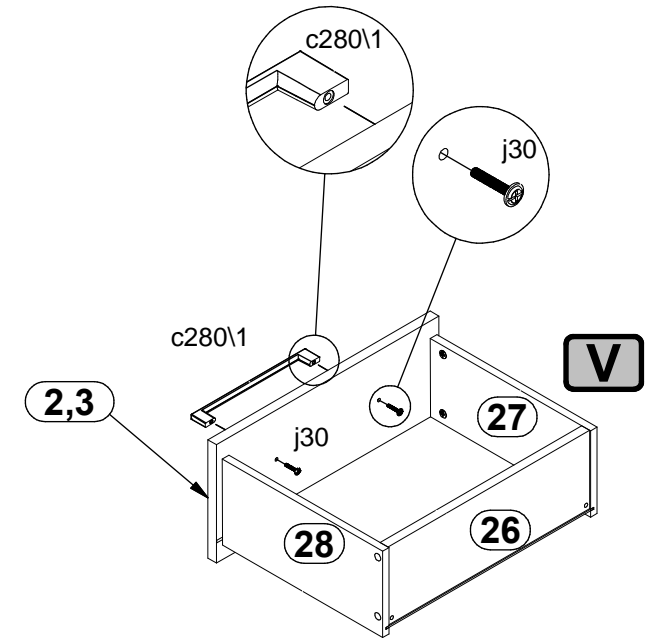
2x



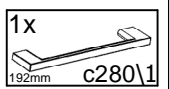
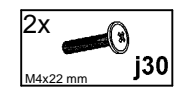
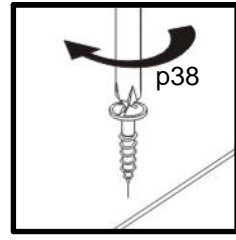
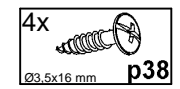
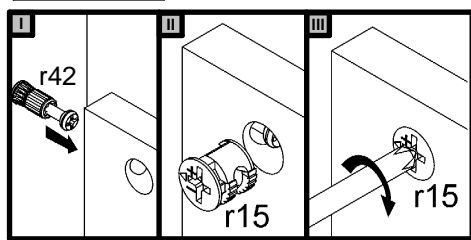
II



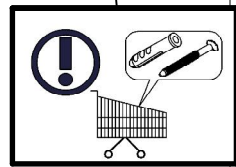
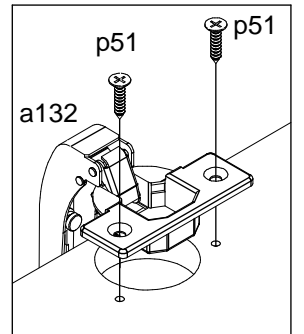
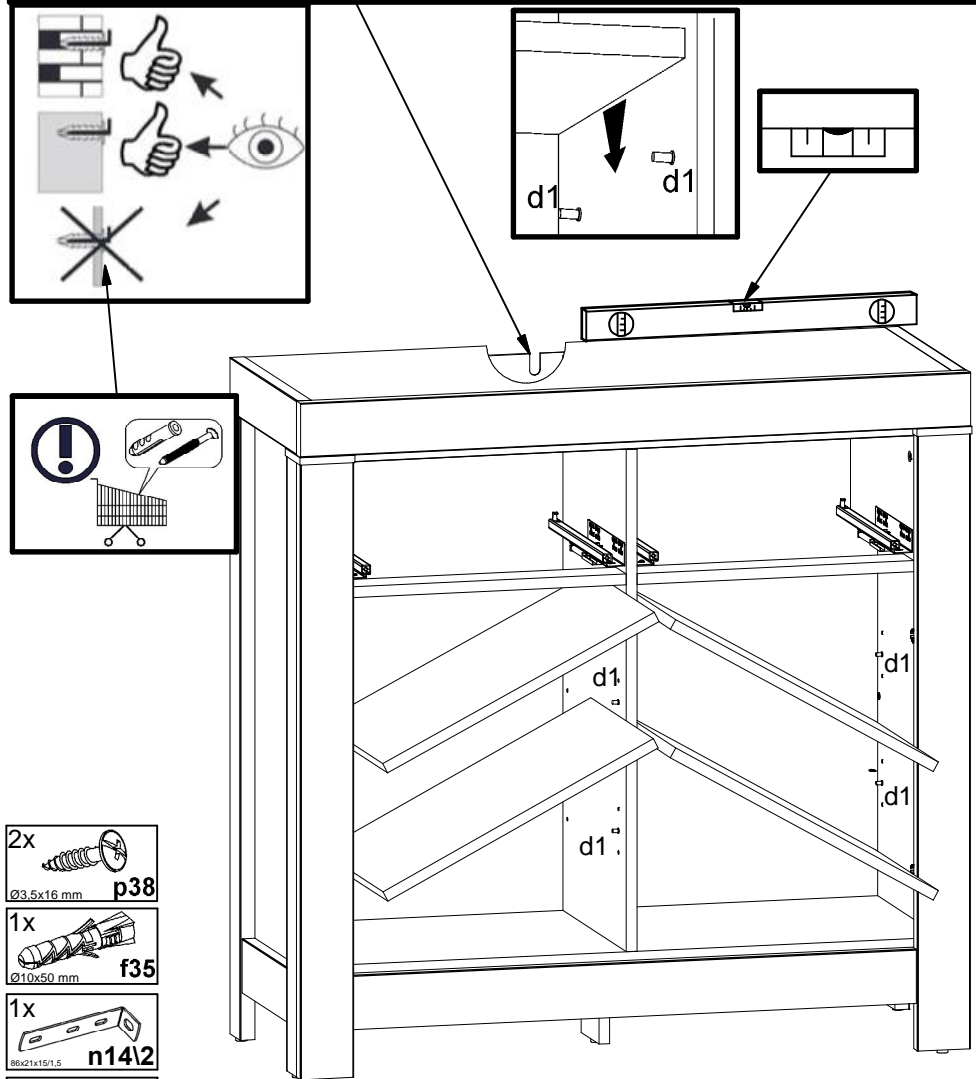
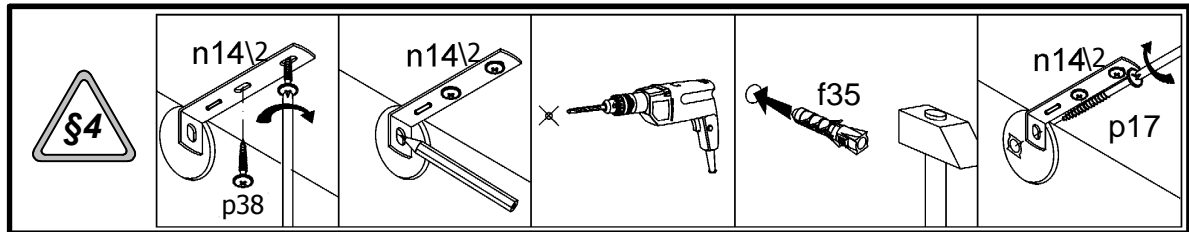
IV







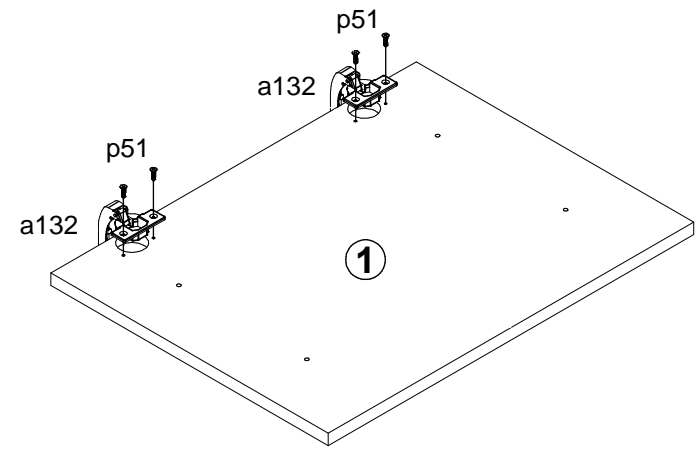
V







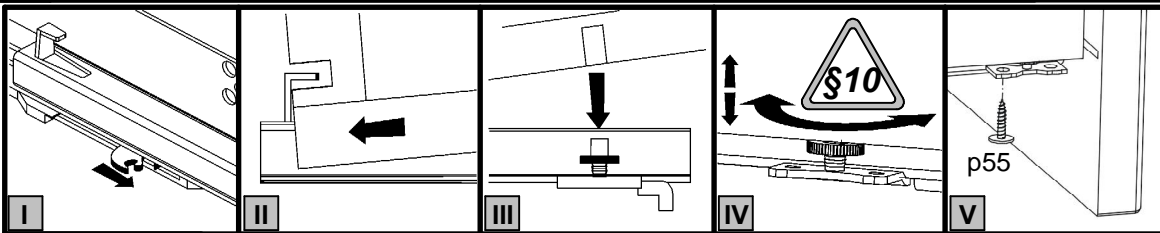
13



- 2x  **p38**
Ø3.5x16 mm
- 1x  **f35**
Ø10x50 mm
- 1x  **n14/2**
86x21x15/1,5
- 1x  **p17**
Ø5x60 mm



- 2x  **j30**
M4x22 mm
- 1x  **c280/1**
192mm
- 4x  **p51**
Ø3.5x15 mm
- 2x  **a132**



14



- 4x
Ø2.9x16 mm
p55
- 2x
M4x22 mm
j30
- 1x
192mm
c280\1

