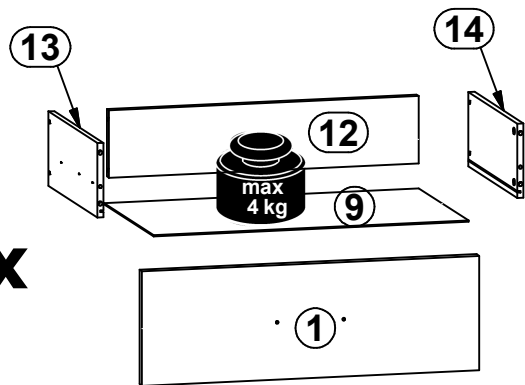
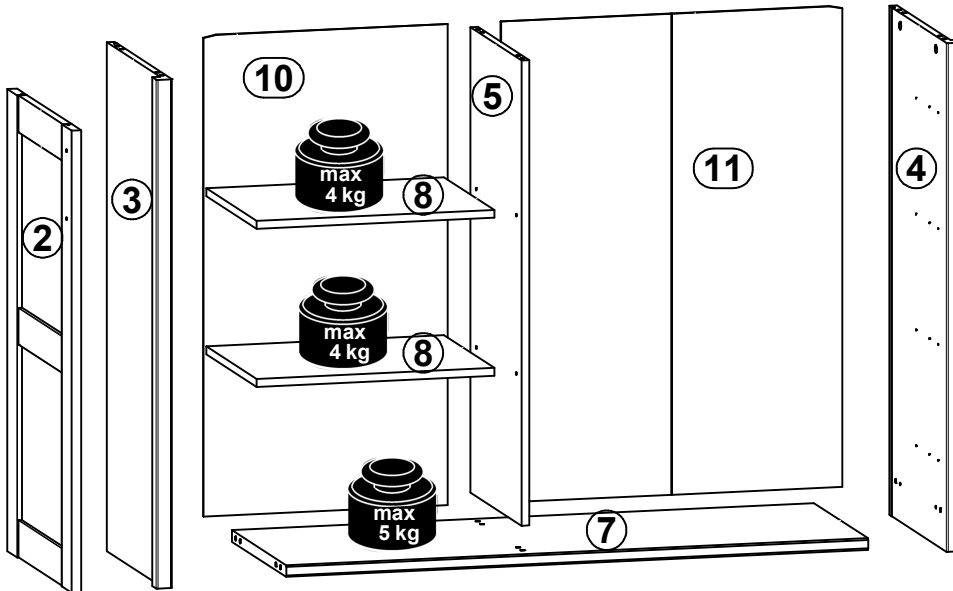
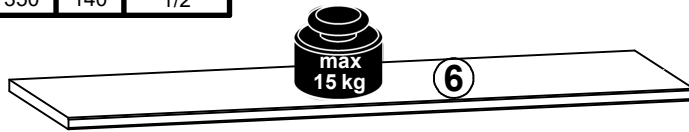
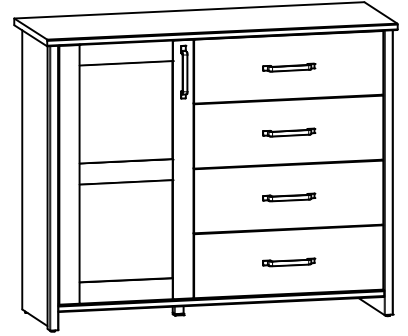
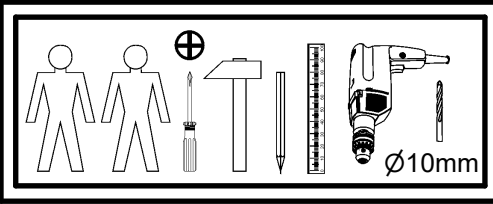
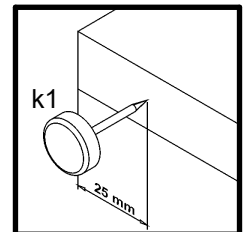
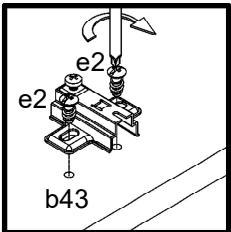
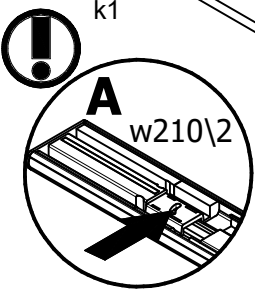
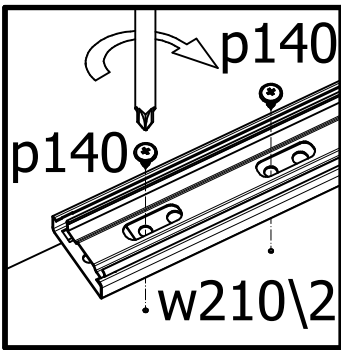
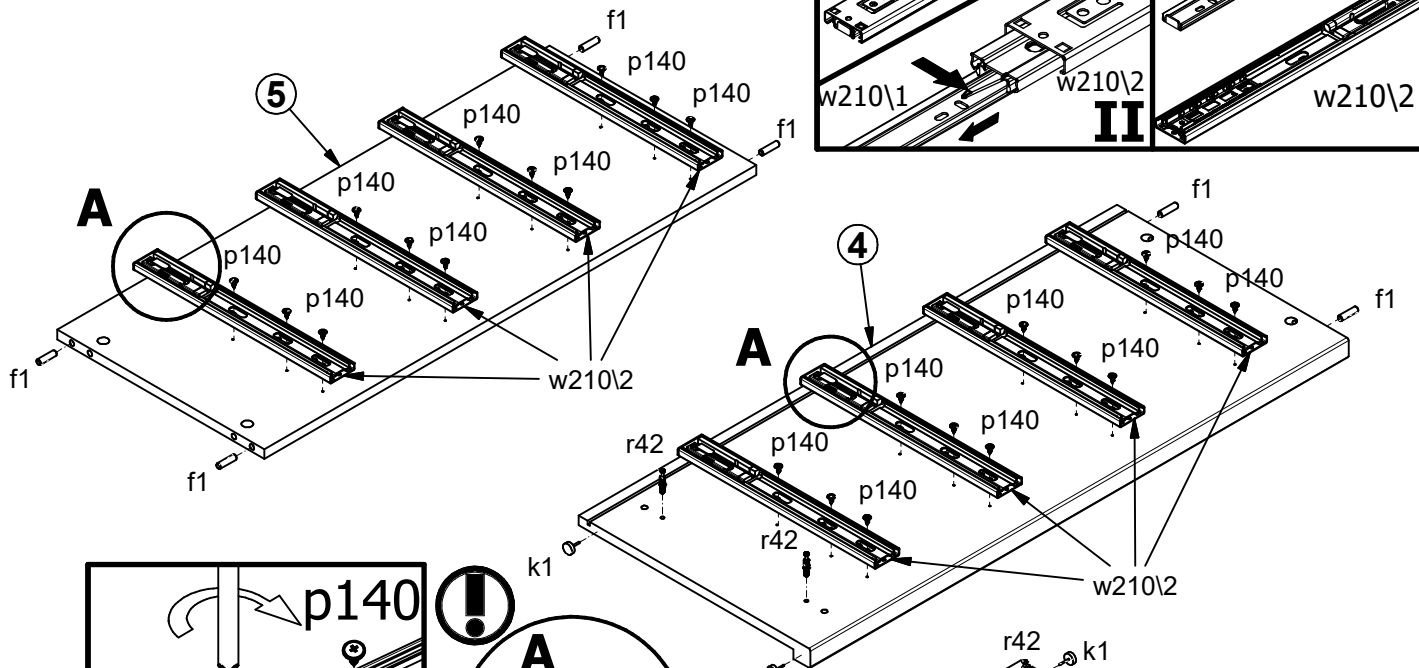
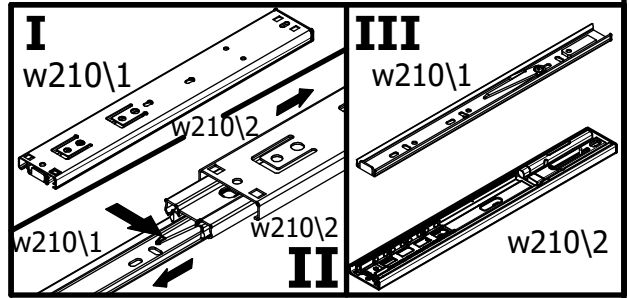
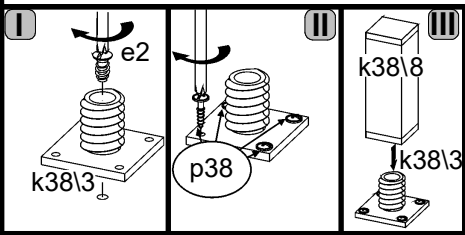
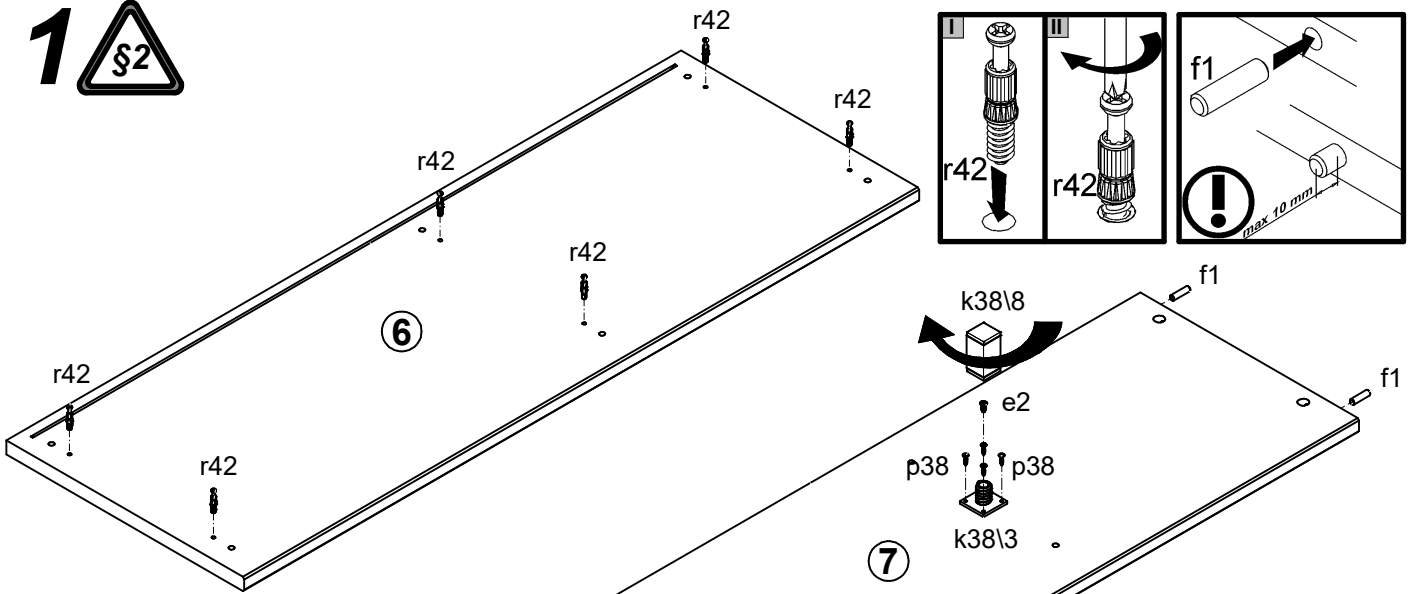


A	B	C	D
1	S455-0004	647	215 1/2
2	S455-0005	869	460 1/2
3	S455-1004 A	957	412 1/2
4	S455-1005 A	957	412 1/2
5	S455-1006	875	368 1/2
6	S455-2003	1200	423 2/2
7	S455-3005	1116	389 2/2
8	S455-3007	456	360 1/2
9	S455-9001	604	355 2/2
10	S455-9005	905	469 1/2
11	S455-9303	905	655 2/2
12	ZK3-5044	594	127 2/2
13	ZK4-513	350	140 1/2
14	ZK4-514	350	140 1/2

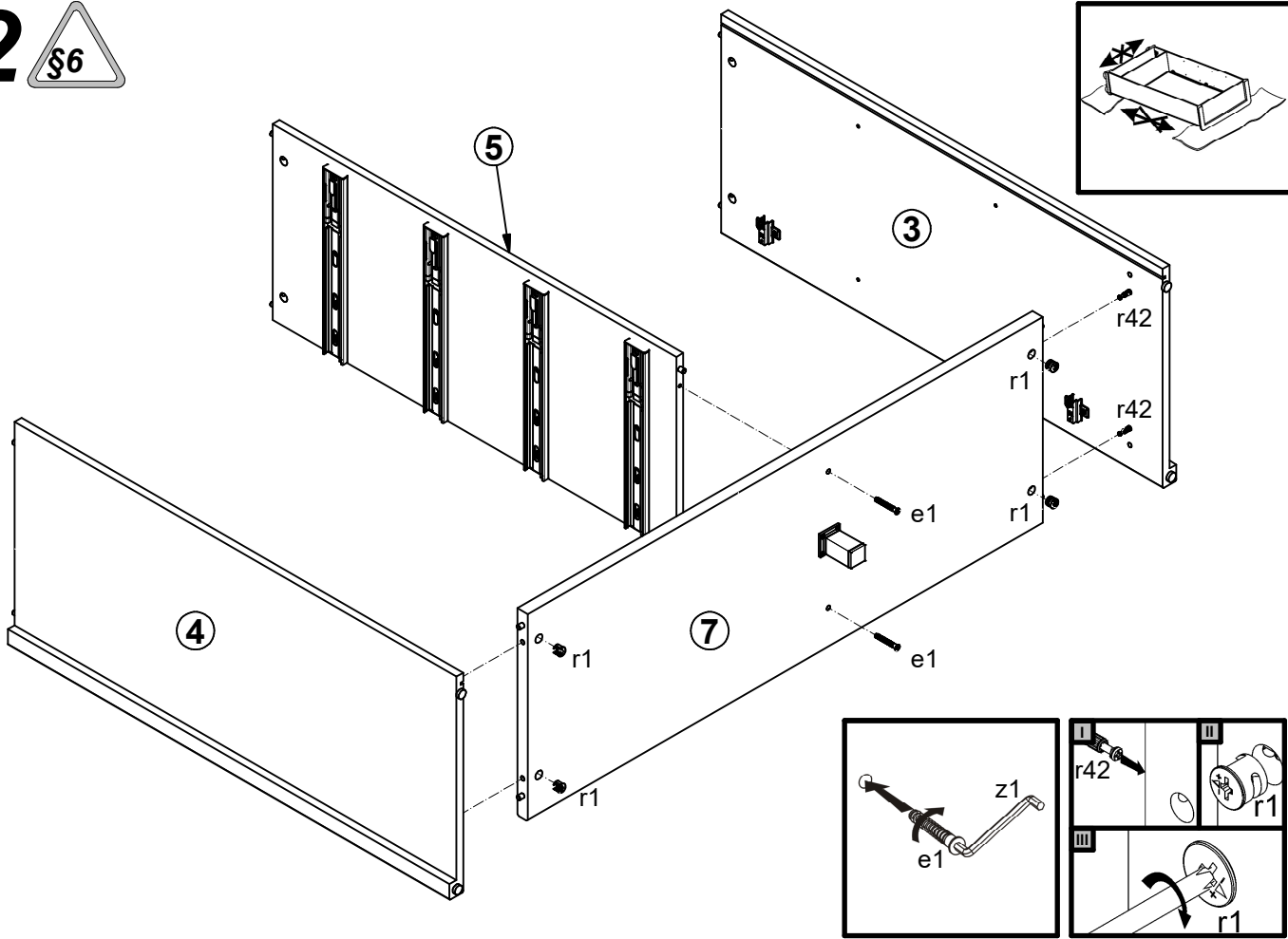


1x a133	2x a160	2x b43	5x c526	8x d1	2x e1	5x e2	12x f1	16x f25
8x f9	4x k1	1x k38l3	1x k38l8	15x l1	6x l2	4x n108	10x p9	4x p25
4x p35	20x p38	4x p51	4x p55	48x p140	10x r1	16x r15	26x r42	4x t35
8x w210l1	8x w210l2	2x s2	1x z1			1x n26	1x p38	

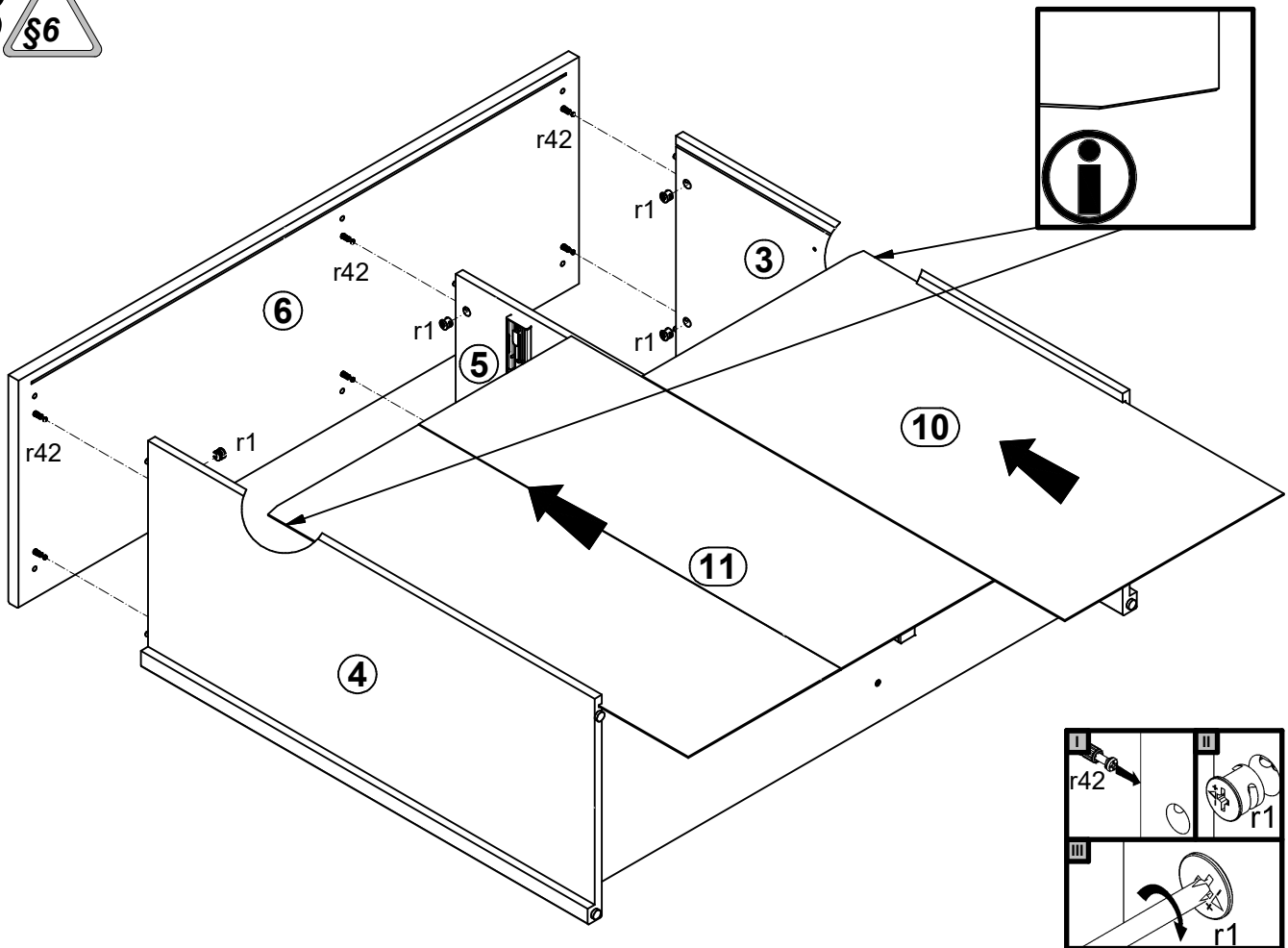
1



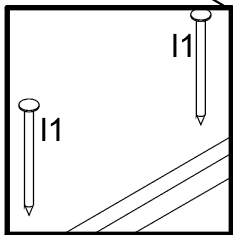
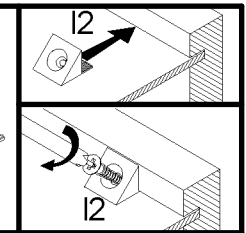
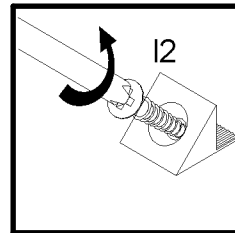
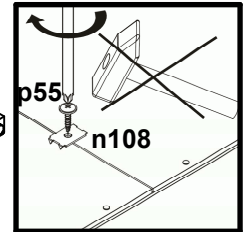
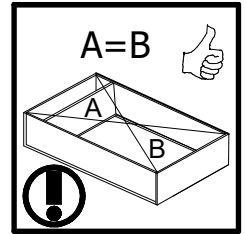
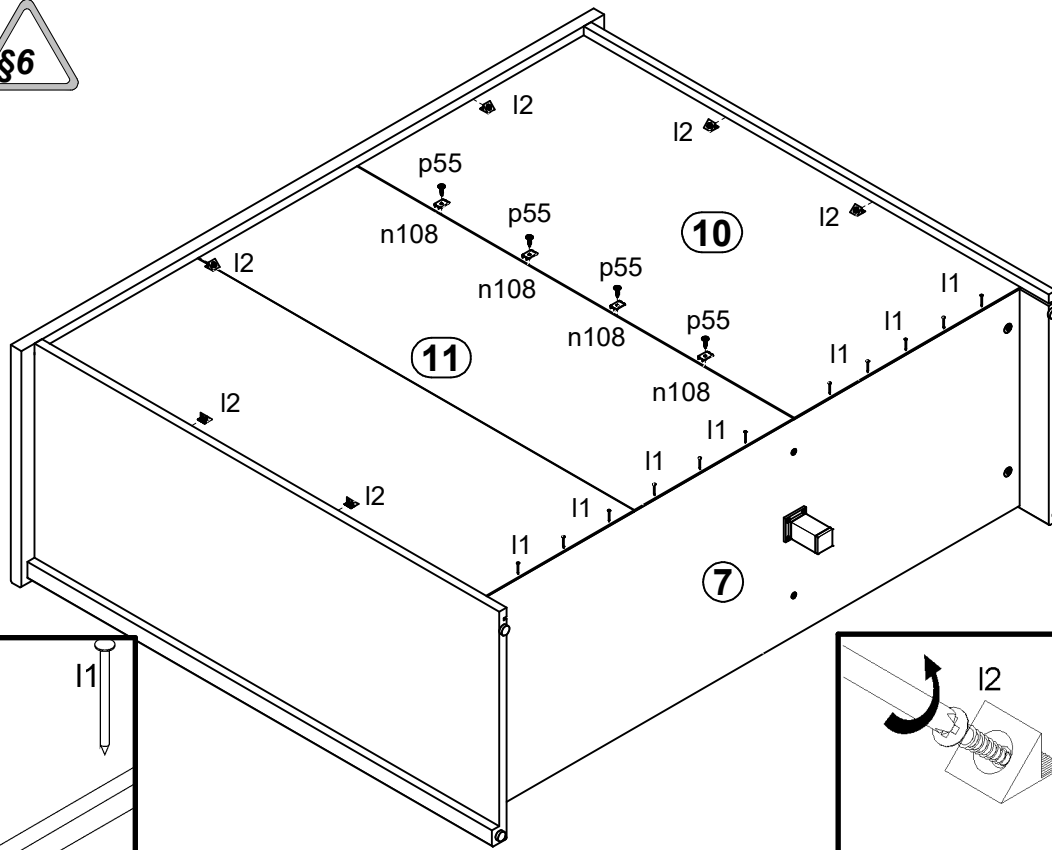
2 §6



3 §6

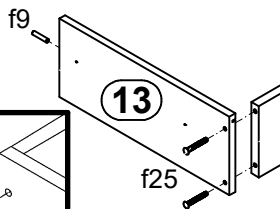
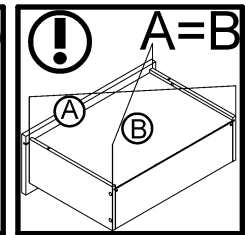
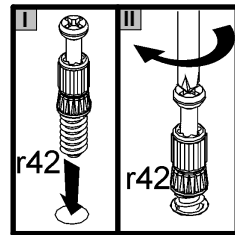
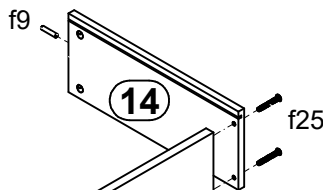
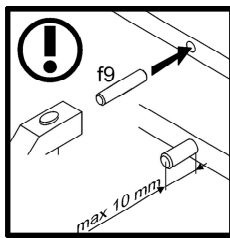


4 §6

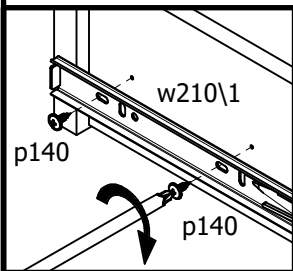
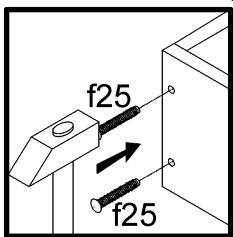
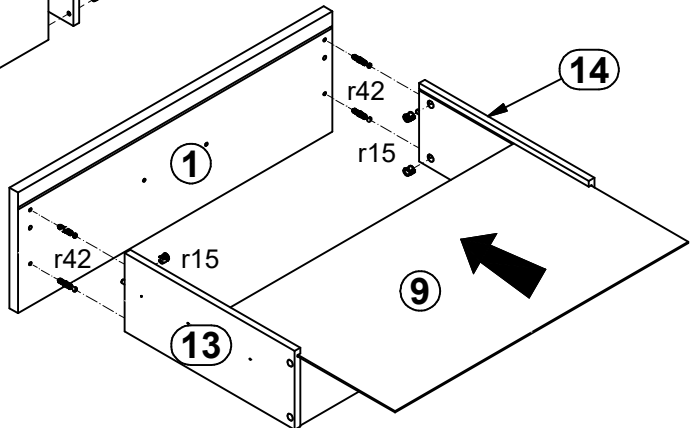


5 §6

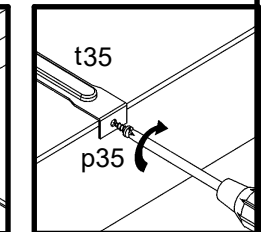
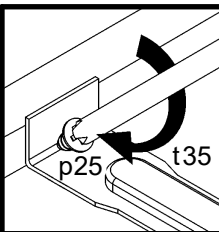
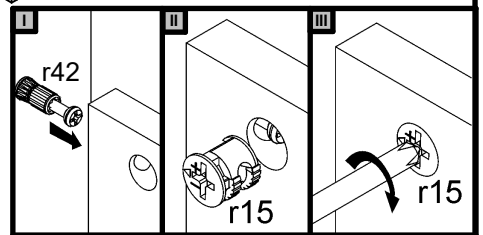
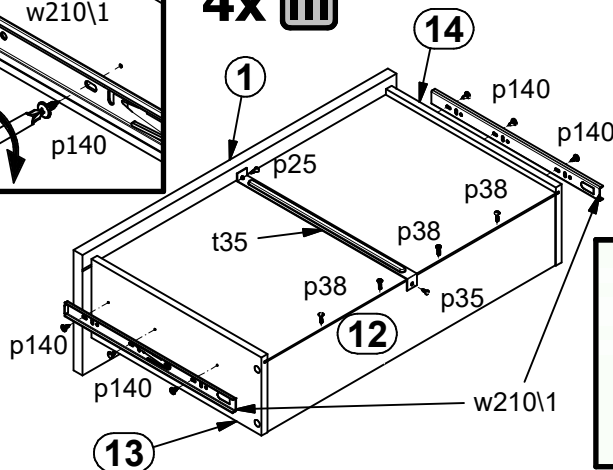
4x I



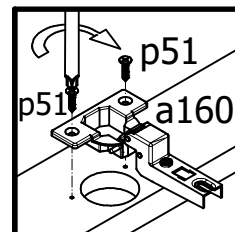
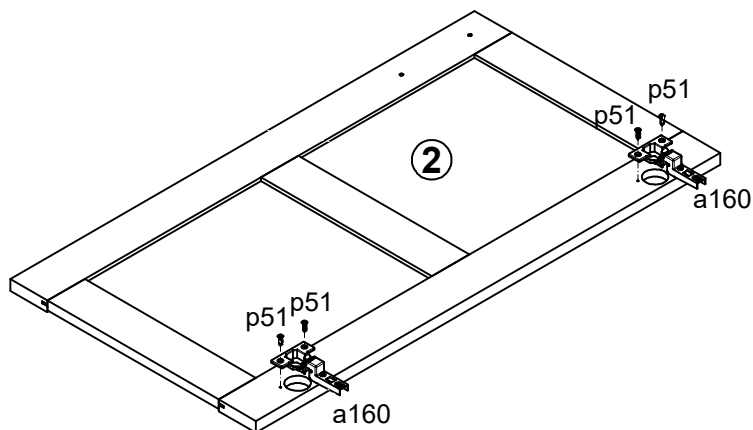
4x III



4x III



6 §2



7 §6

