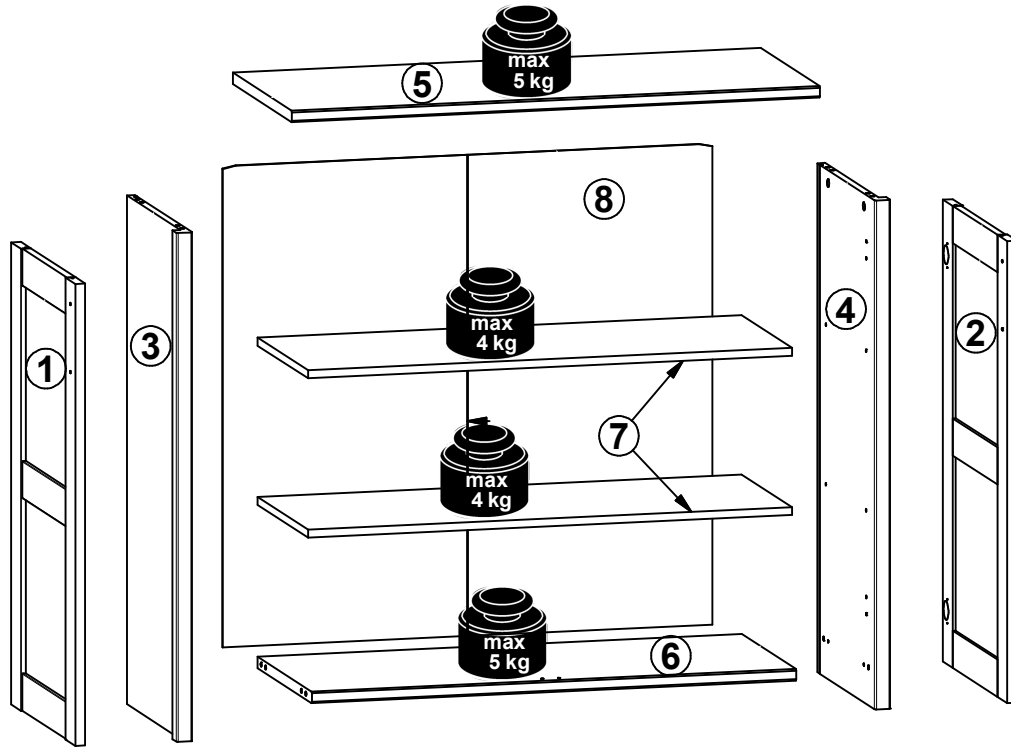
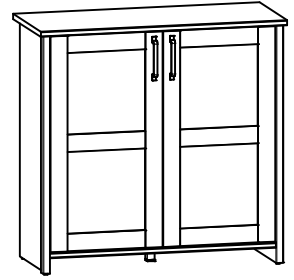
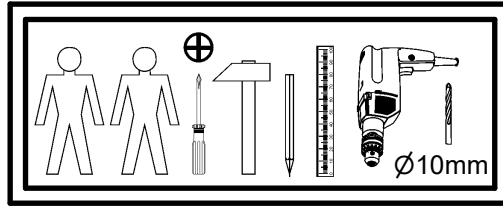


A

LOKSA

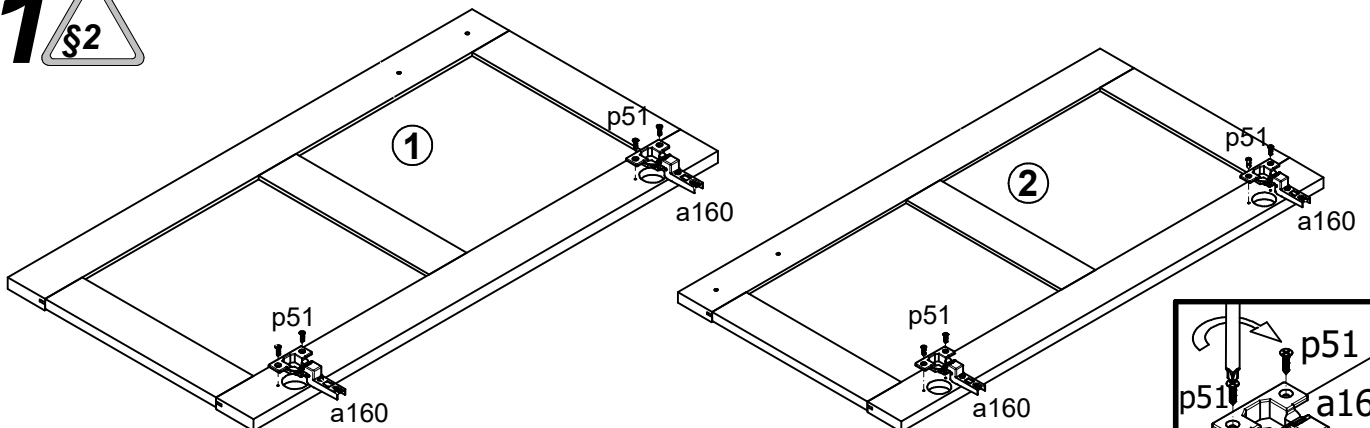
S455-KOM2D

A	B	C	D	
1	S455-0005	869	460	2/2
2	S455-0009	869	460	2/2
3	S455-1007 A	957	412	1/2
4	S455-1008 A	957	412 <td 1/2	
5	S455-2004	1013	423	1/2
6	S455-3008	929	389	1/2
7	S455-3009	928	360	1/2
8	S455-9304	905	939	2/2

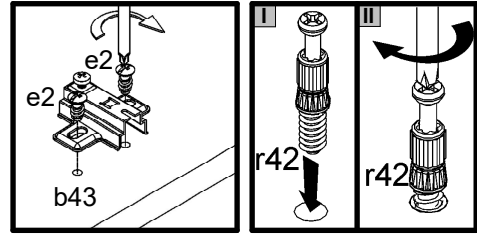
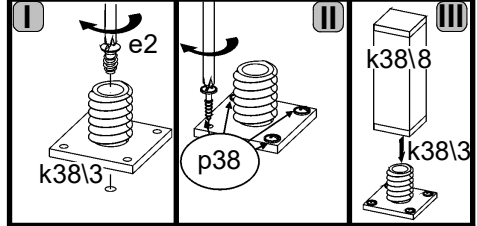
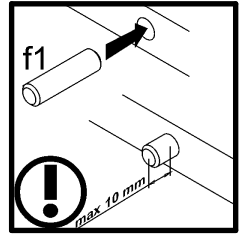
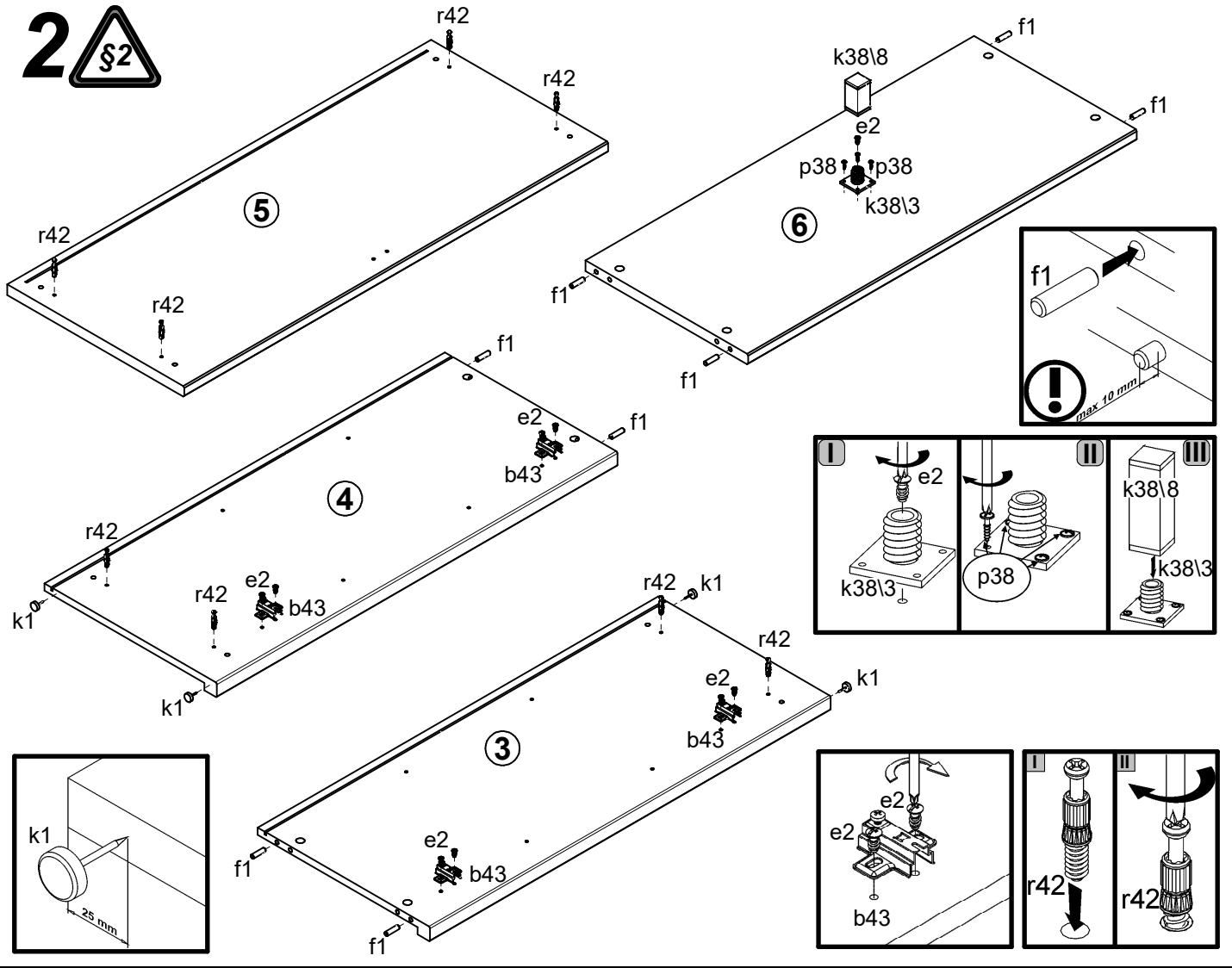


2x a133	4x a160	4x b43	2x c526	8x d1	4x d5	9x e2	8x f1	4x k1
1x k38l3	1x k38l8	10x l1	6x l2	4x p9	4x p38	8x p51	8x r1	8x r42
4x s2							1x n26	1x p38

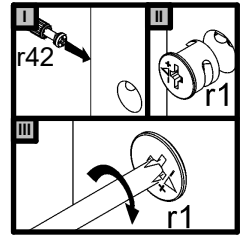
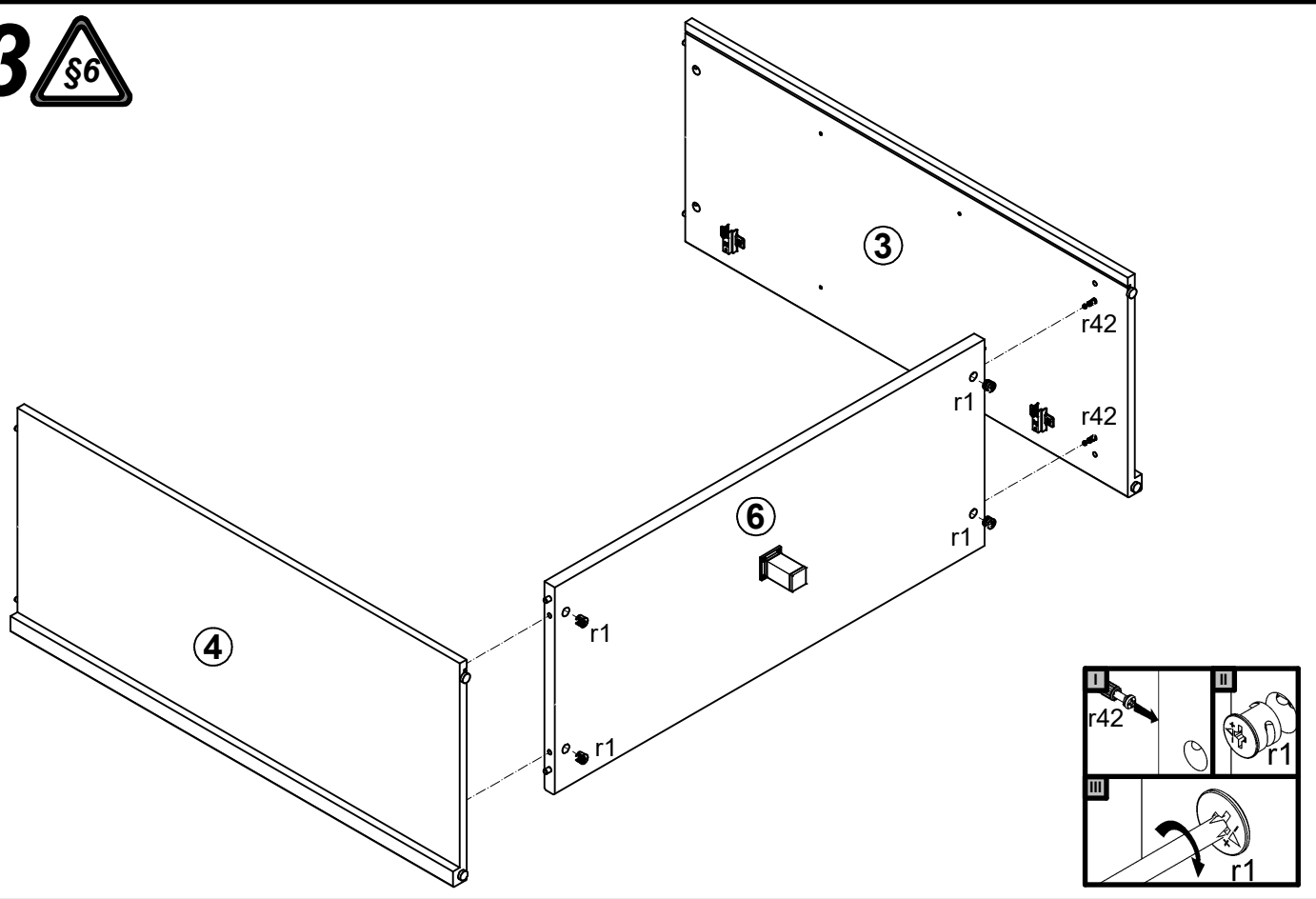
1 §2



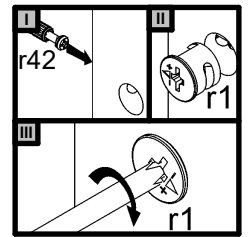
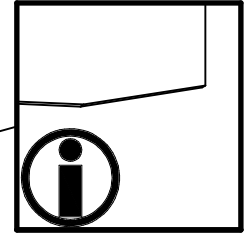
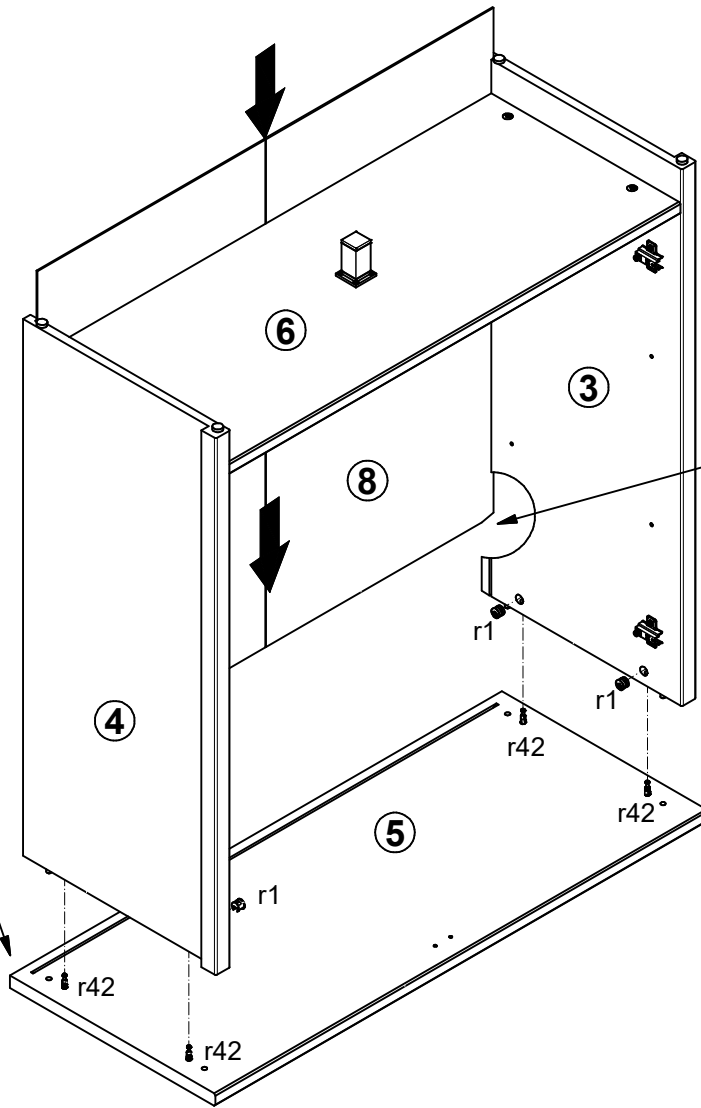
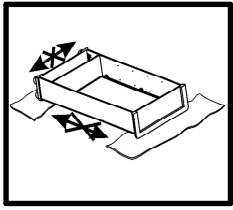
2



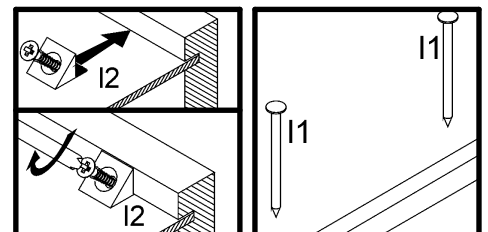
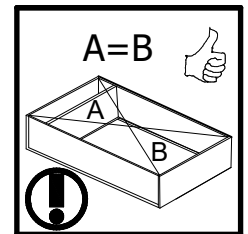
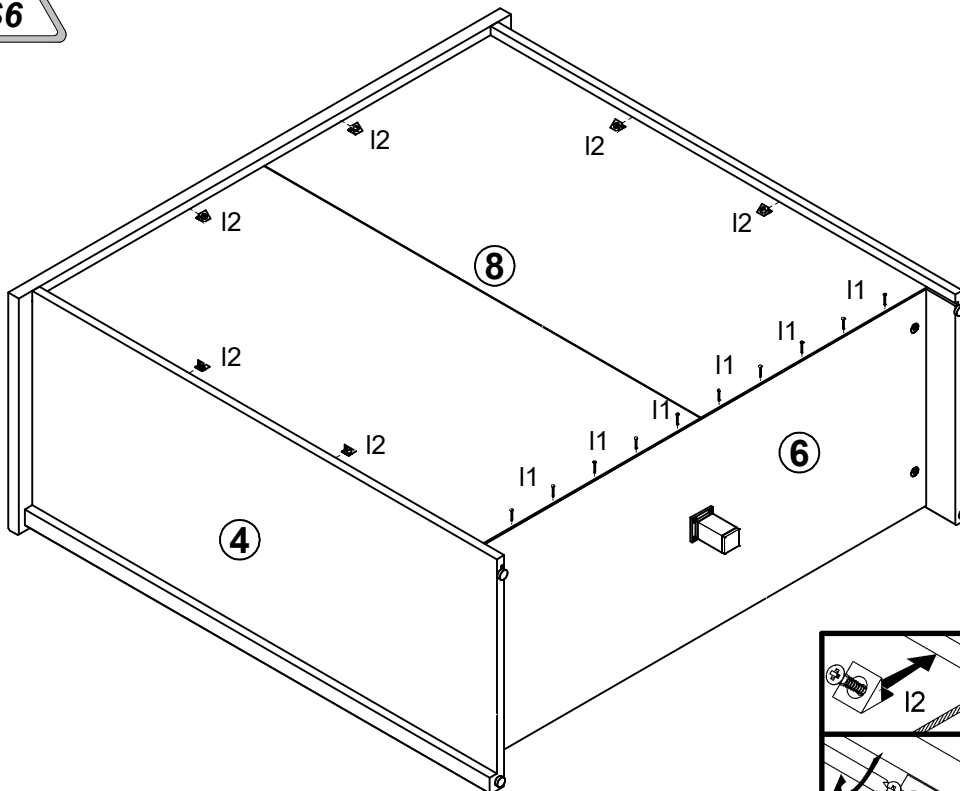
3



4 

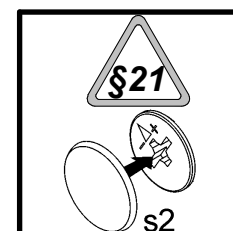
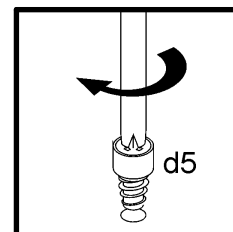
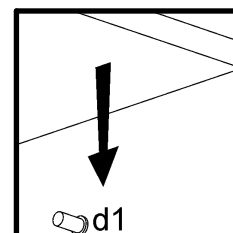
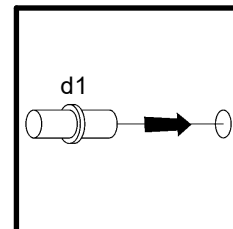
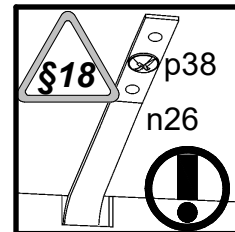
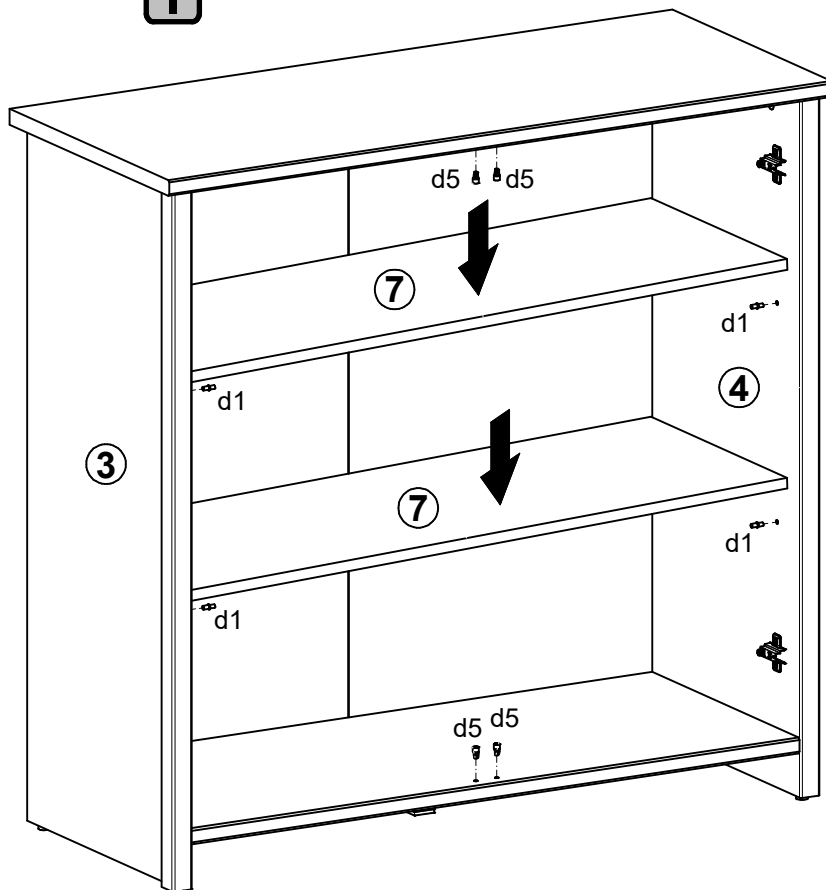


5 



6 §6

I



II

