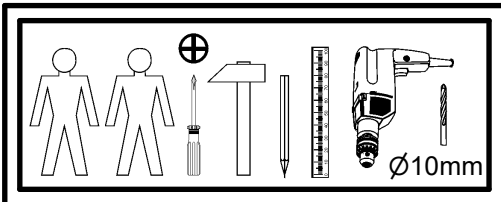
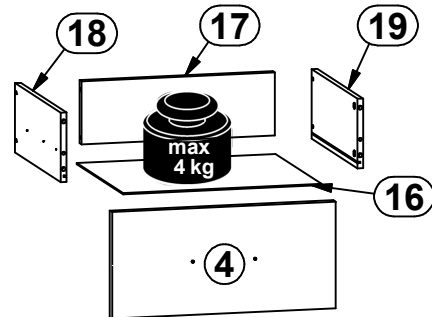
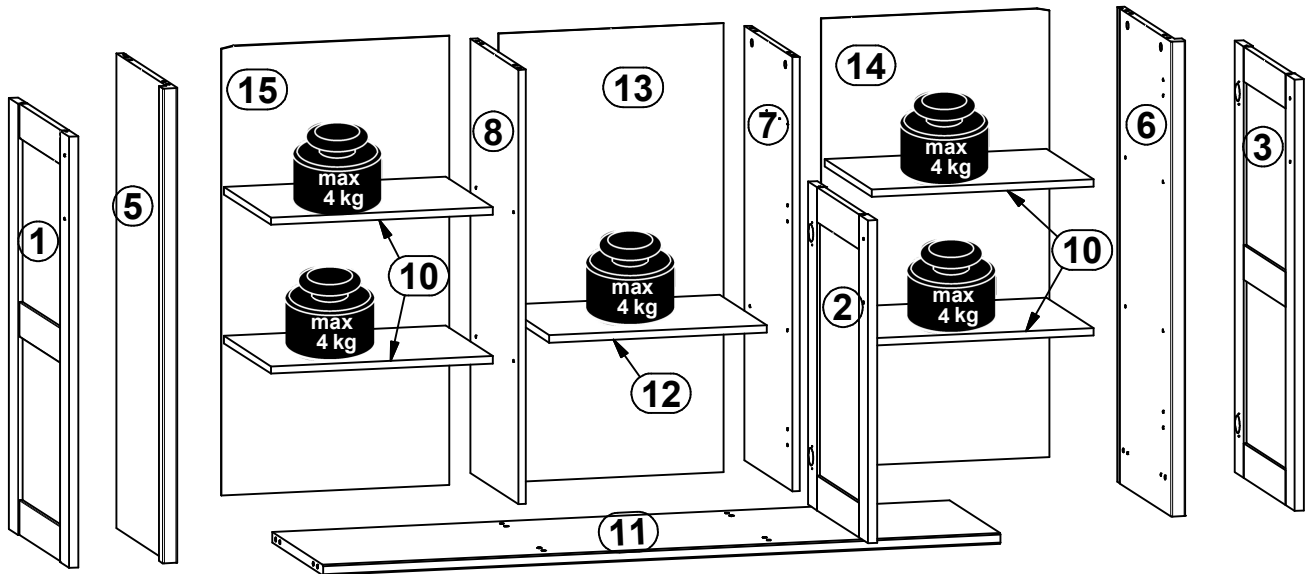
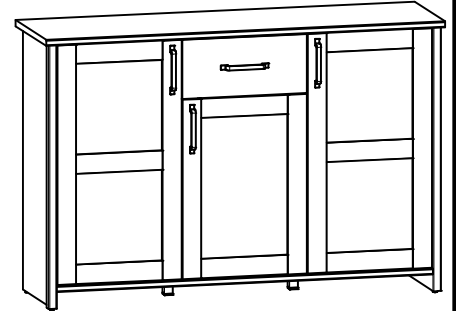
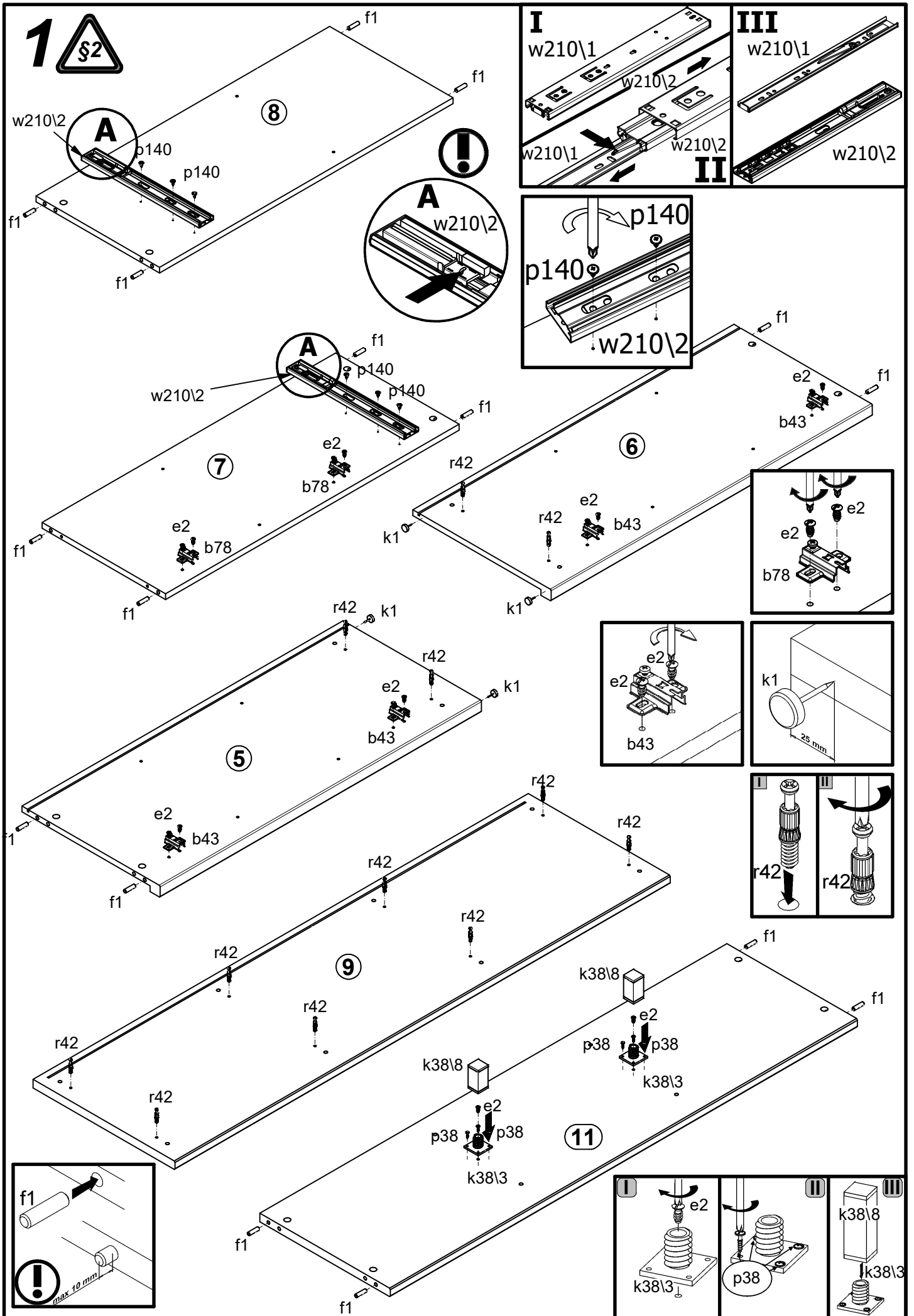


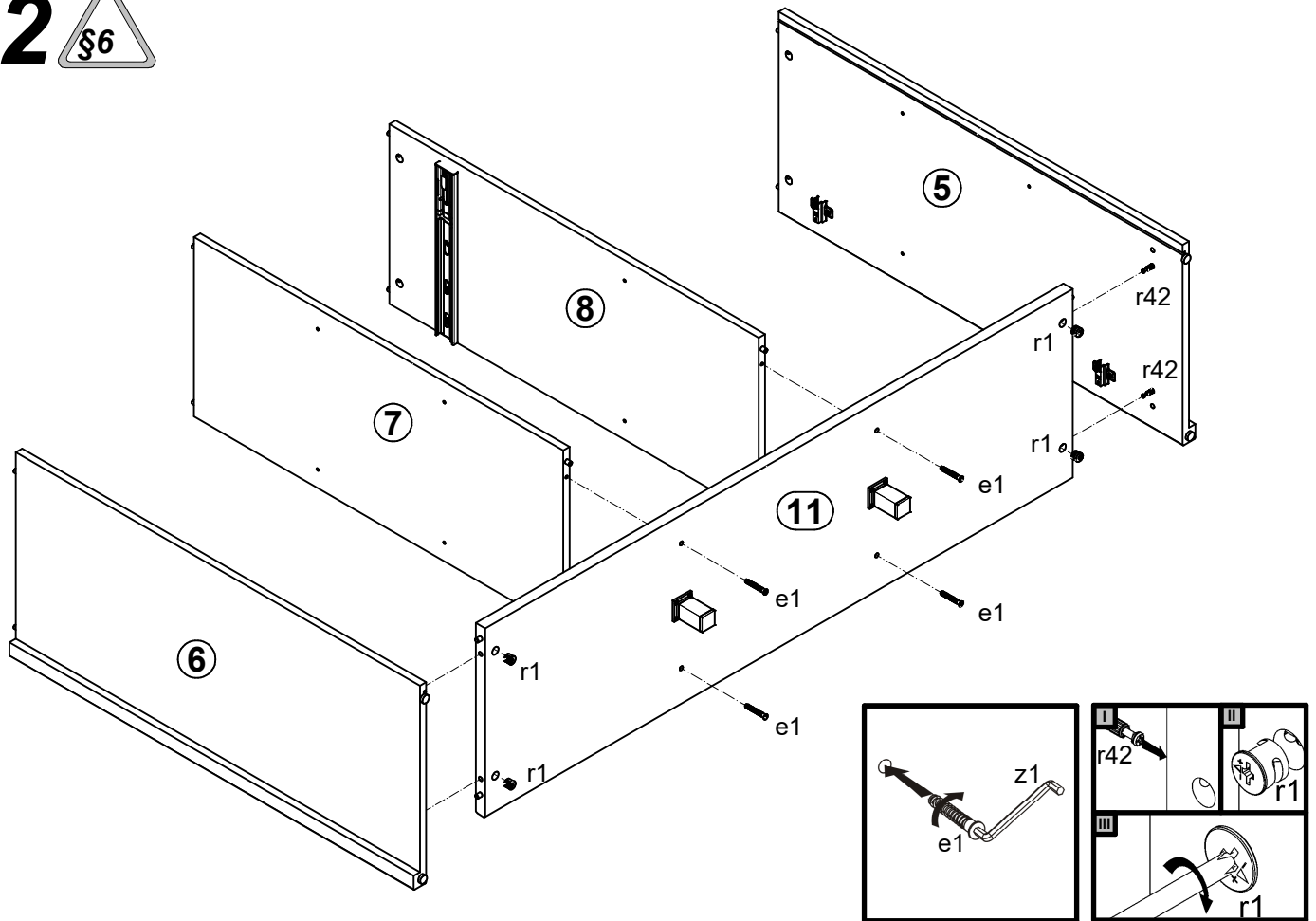
A	B	C	D	A	B	C	D	
1	S455-0005	869	460	1/2	11	S455-3014	1392 389	2/2
2	S455-0007	651	460	1/2	12	S455-3015	447 360	2/2
3	S455-0009	869	460	1/2	13	S455-9003	905 462	1/2
4	S455-0011	460	215	1/2	14	S455-9004	905 469	1/2
5	S455-1007 A	957	412	1/2	15	S455-9005	905 469	1/2
6	S455-1008 A	957	412	1/2	16	S455-9006	408 355	2/2
7	S455-1013	875	368	2/2	17	ZK3-5046	398 127	2/2
8	S455-1014	875	368	2/2	18	ZK4-513	350 140	2/2
9	S455-2007	1476	423	2/2	19	ZK4-514	350 140	2/2
10	S455-3007	456	360	1/2				



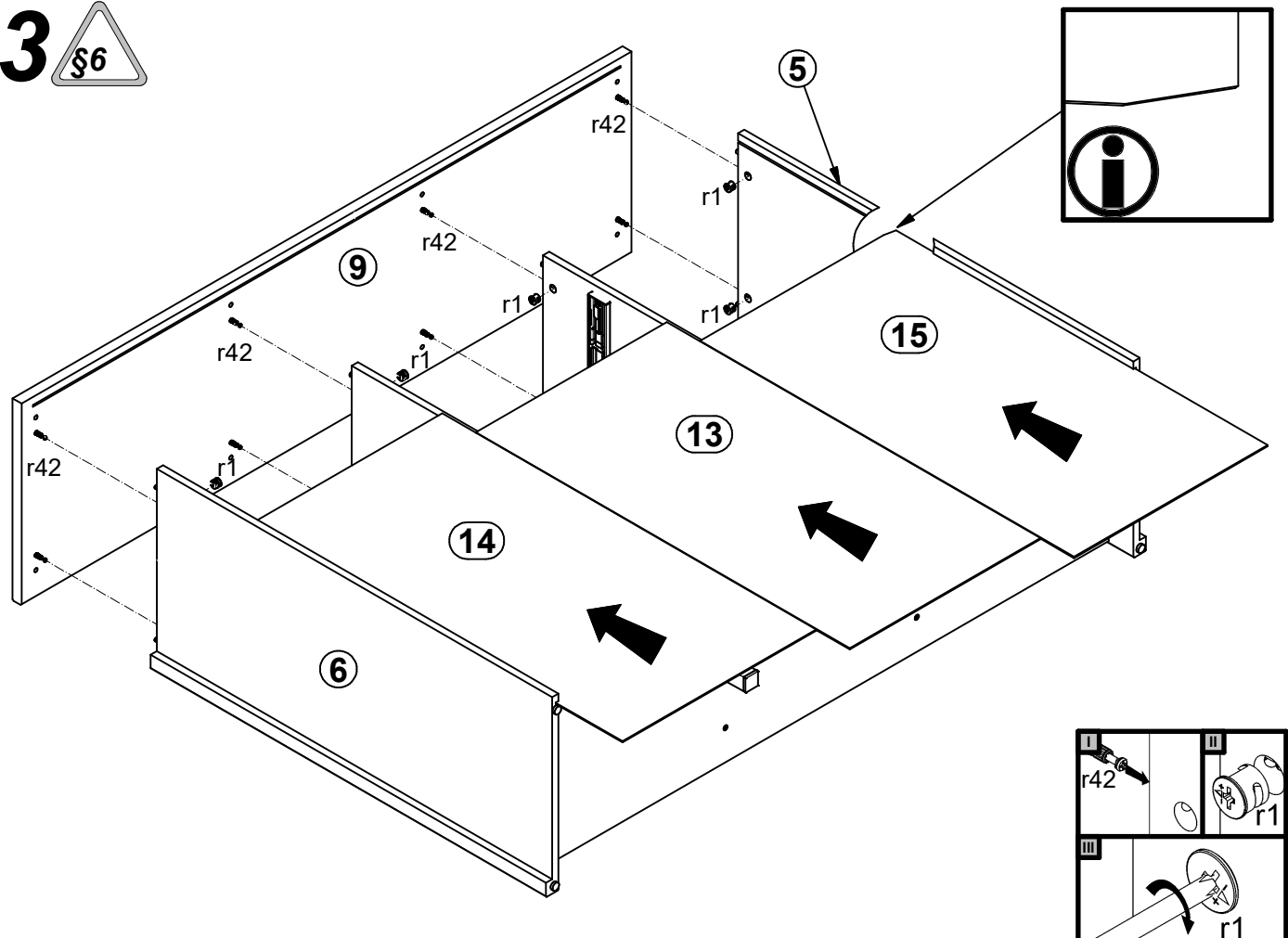
3x a133	2x a159	4x a160	4x b43	2x b78	4x c526	20x d1	4x e1	14x e2
16x f1	2x f9	4x f25	4x k1	2x k38/3	2x k38/8	15x l1	7x l2	8x n108
8x p9	11x p38	12x p51	8x p55	12x p140	12x r1	4x r15	16x r42	2x w210/1
2x w210/2	4x s2	1x z1				1x n26	1x p38	



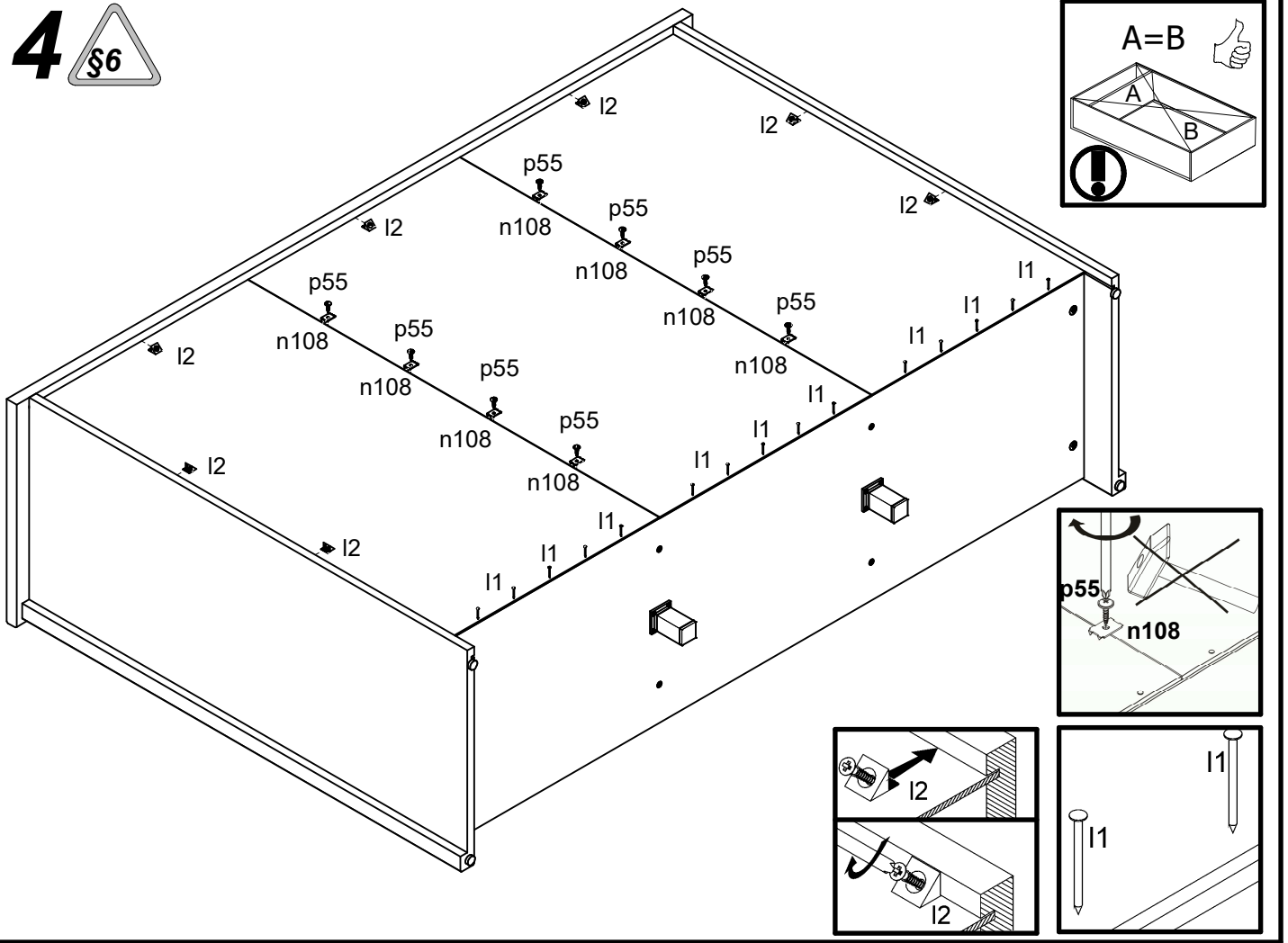
**2** §6



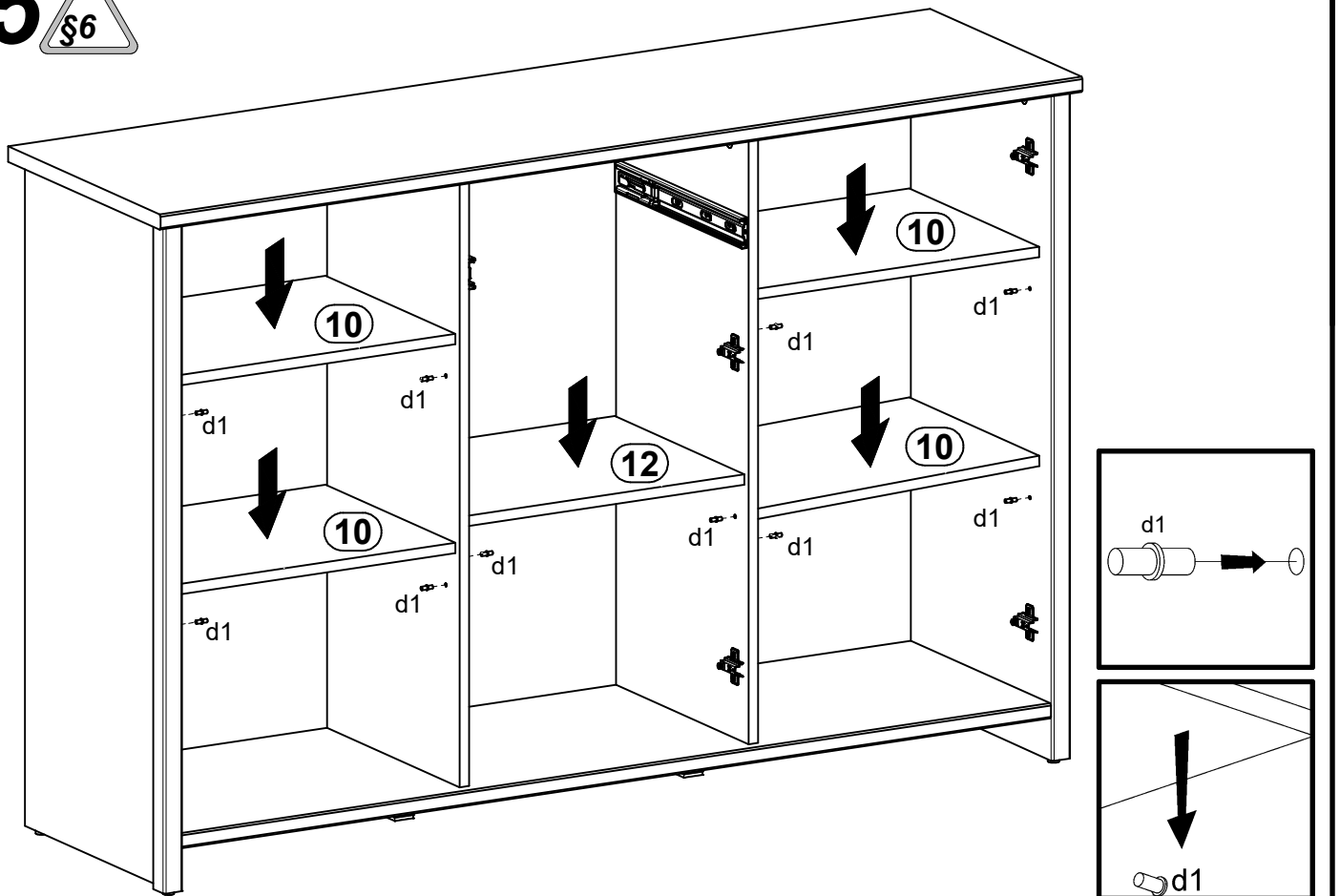
**3** §6



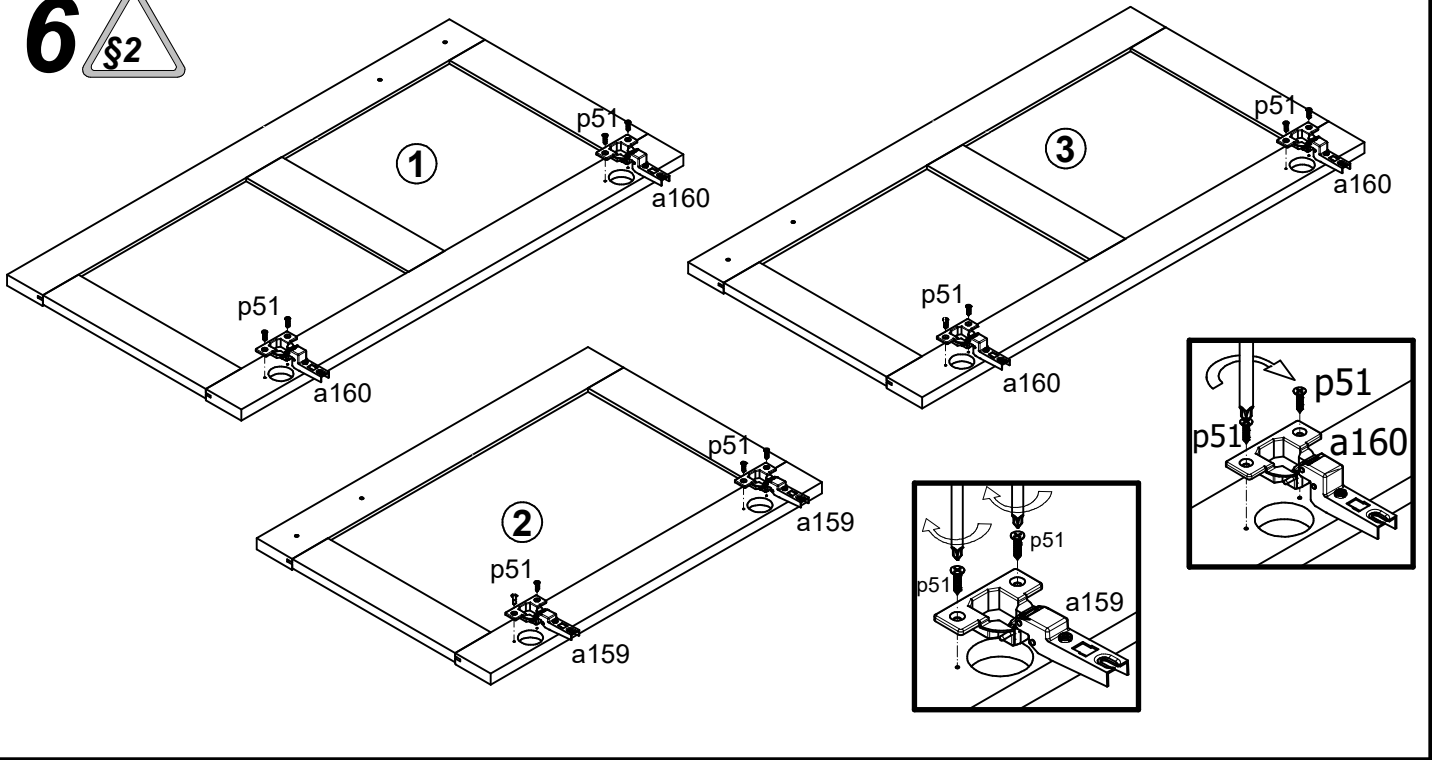
4 §6



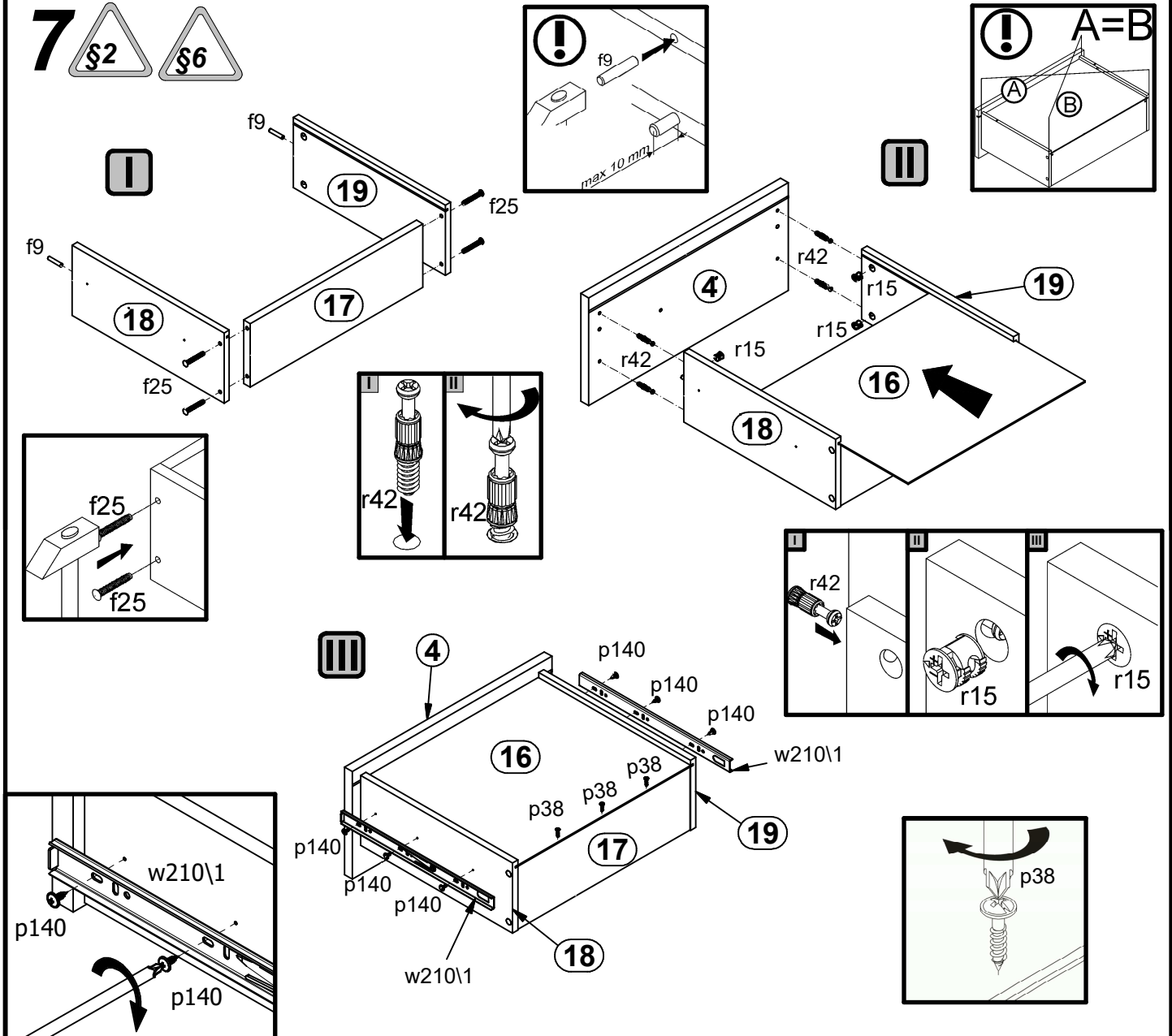
5 §6



# 6



# 7



8 §6

