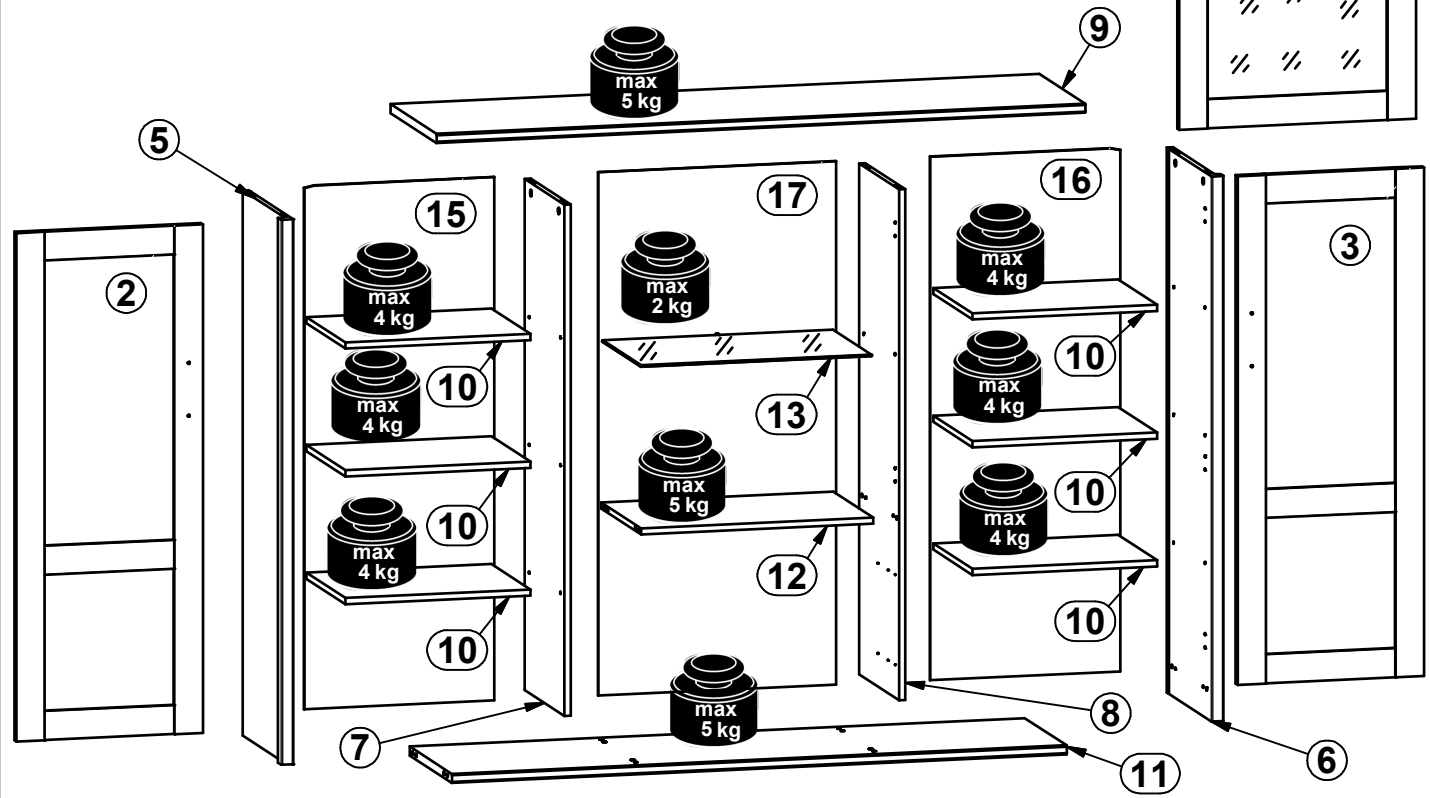
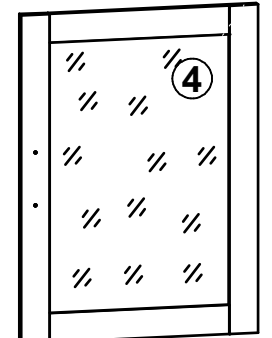
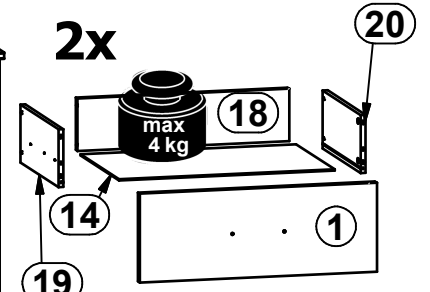
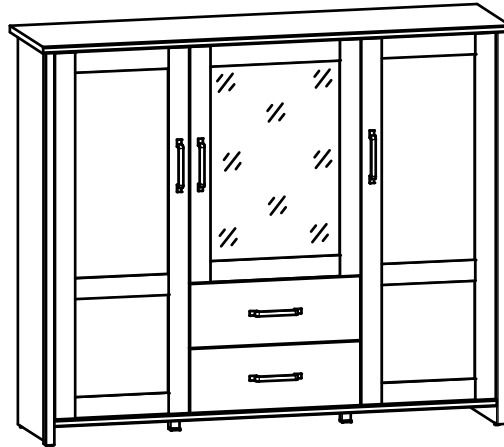
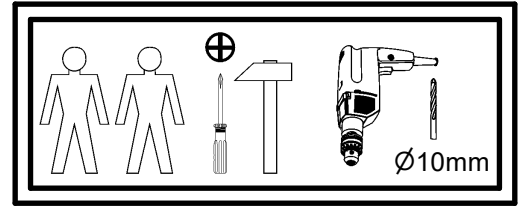


**A**

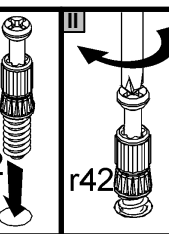
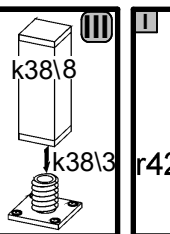
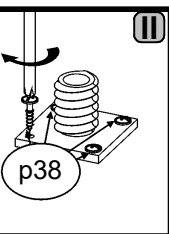
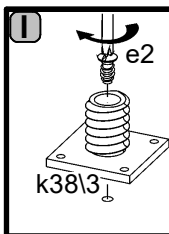
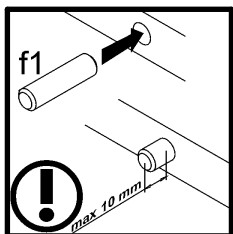
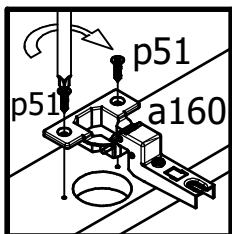
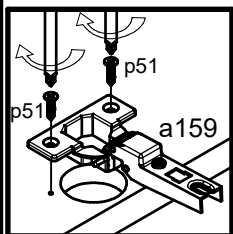
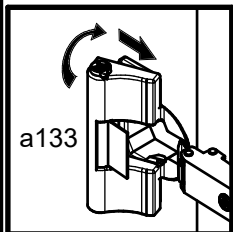
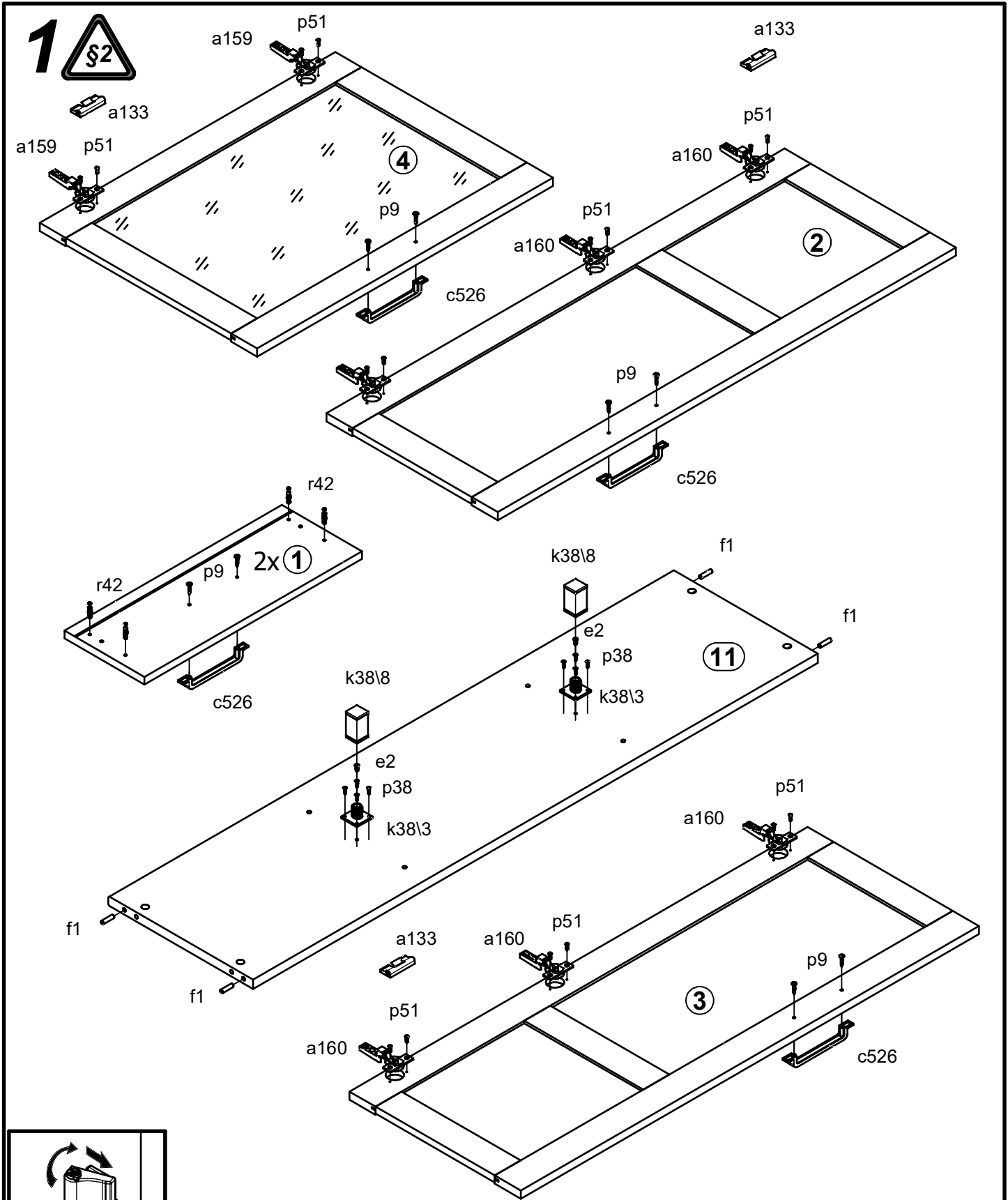
**LOKSA**

**S455-REG2D1W2S**

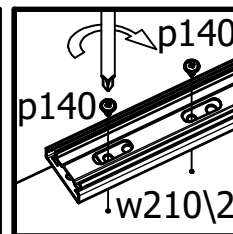
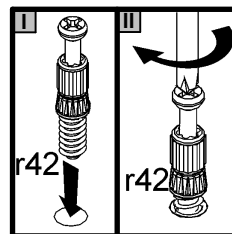
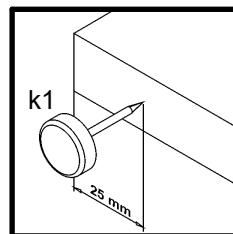
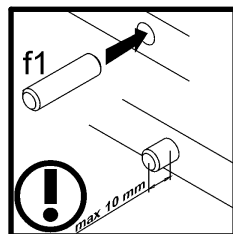
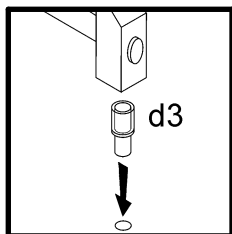
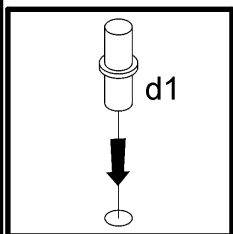
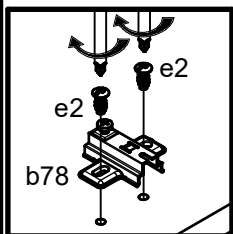
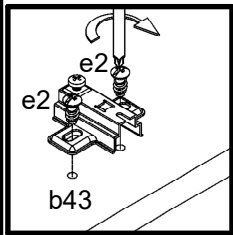
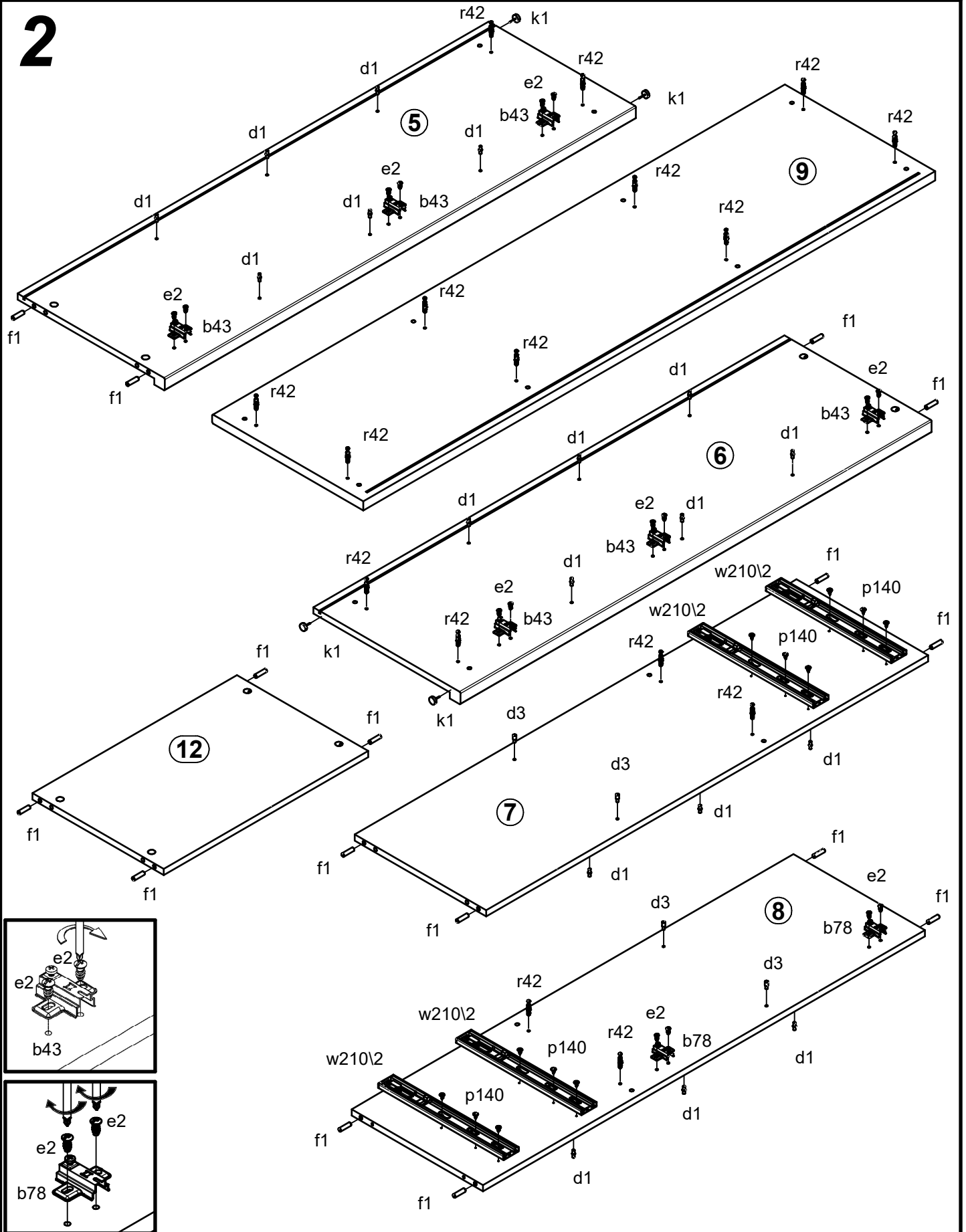
A	B	C	D	
1	S455-0019	584	215	3/3
2	S455-0022	1230	460	3/3
3	S455-0023	1230	460	3/3
4	S455-0024	794	584	3/3
5	S455-1027 A	1318	412	2/3
6	S455-1028 A	1318	412	2/3
7	S455-1029	1236	368	1/3
8	S455-1030	1236	368	1/3
9	S455-2012	1600	423	2/3
10	S455-3007	456	360	1/3
11	S455-3028	1516	389	2/3
12	S455-3029	572	367	1/3
13	S455-5055	570	355	1/3
14	S455-9013	532	355	1/3
15	S455-9014	1266	469	3/3
16	S455-9015	1266	469	3/3
17	S455-9016	1266	586	3/3
18	ZK3-5048	522	127	1/3
19	ZK4-513	350	140	1/3
20	ZK4-514	350	140	1/3



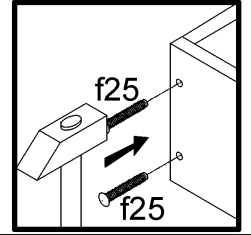
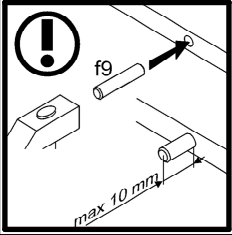
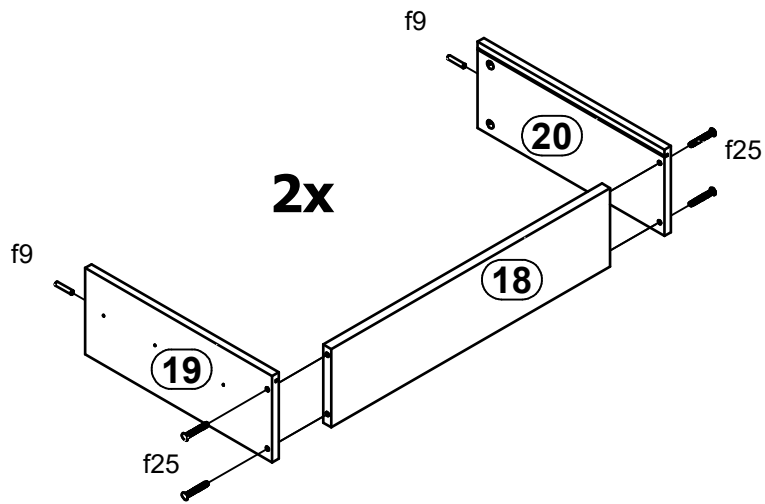
3x  a133	2x  a159	6x  a160	6x  b43	2x  b78	5x  c526	24x  d1	4x  d3	4x  e1
18x  e2	20x  f1	4x  f9	8x  f25	4x  k1	2x  k38/13	2x  k38/8	20x  l1	9x  l2
12x  n108	1x  o43/6	4x  o43/8	10x  p9	2x  p25	2x  p35	17x  p38	16x  p51	12x  p55
24x  p140	16x  r1	8x  r15	24x  r42	2x  t35	4x  w210/1	4x  w210/2	8x  s2	1x  z1
1x  n26								



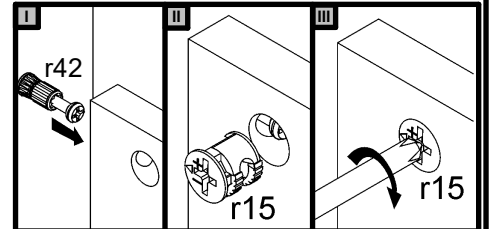
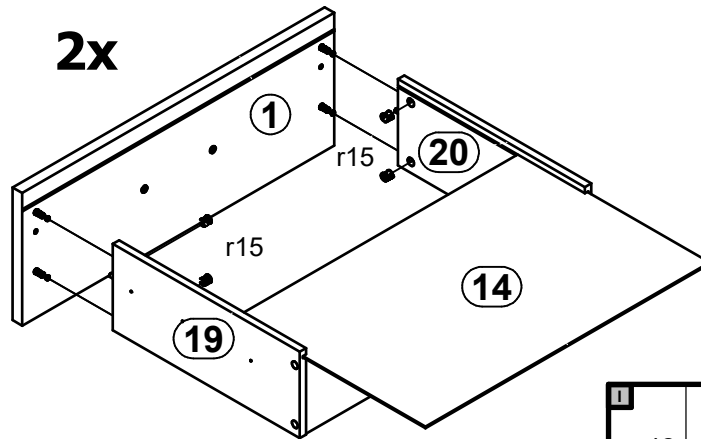
# 2



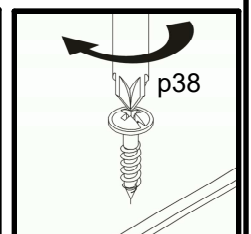
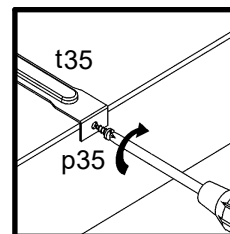
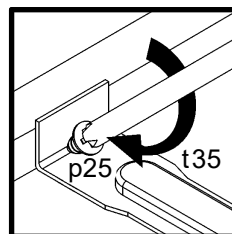
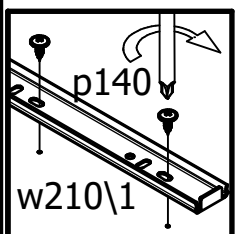
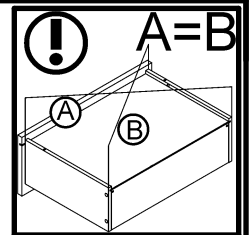
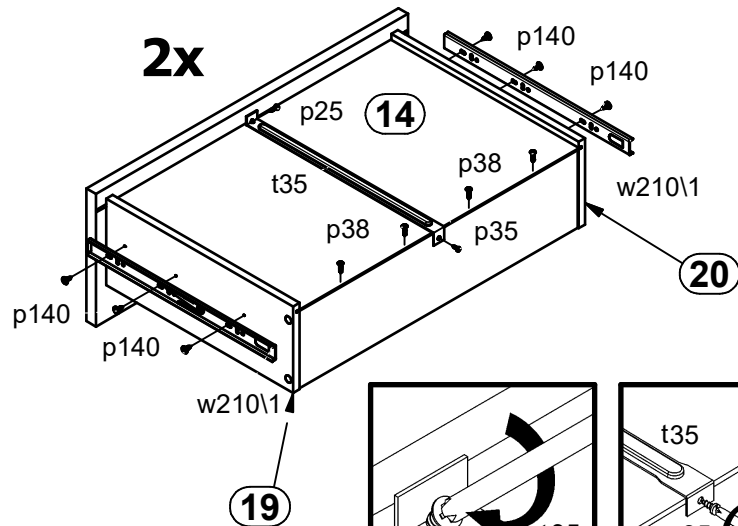
# 3



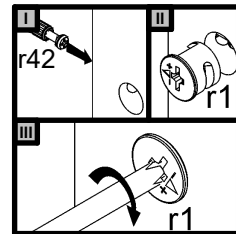
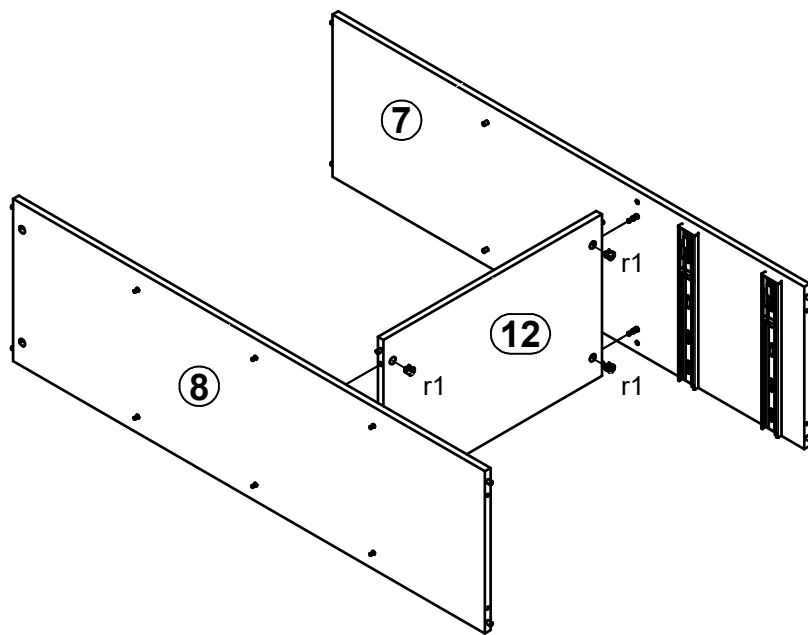
# 4



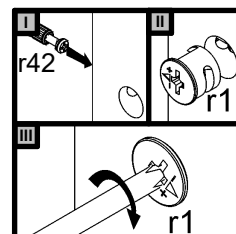
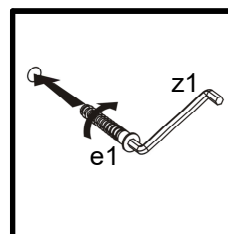
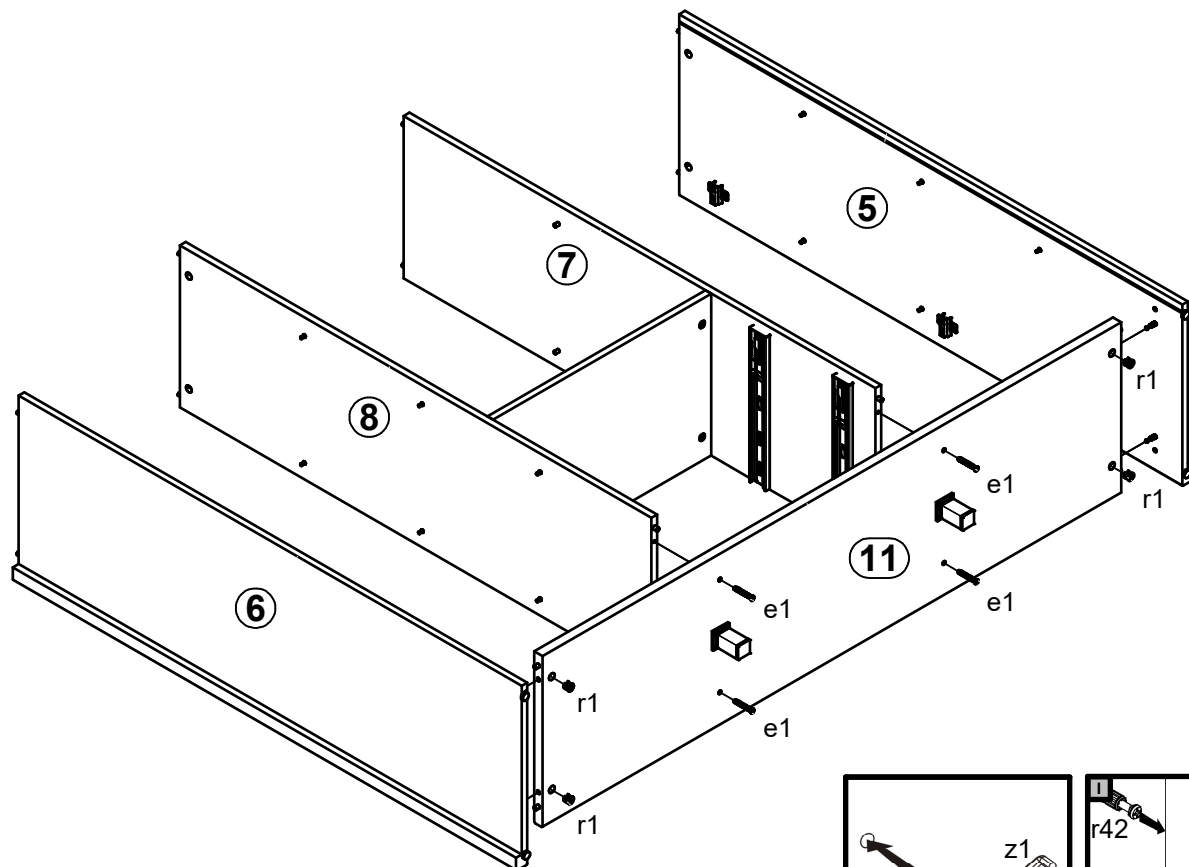
# 5



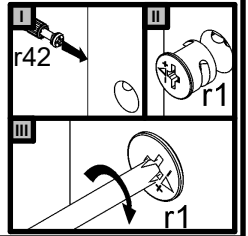
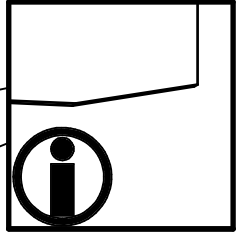
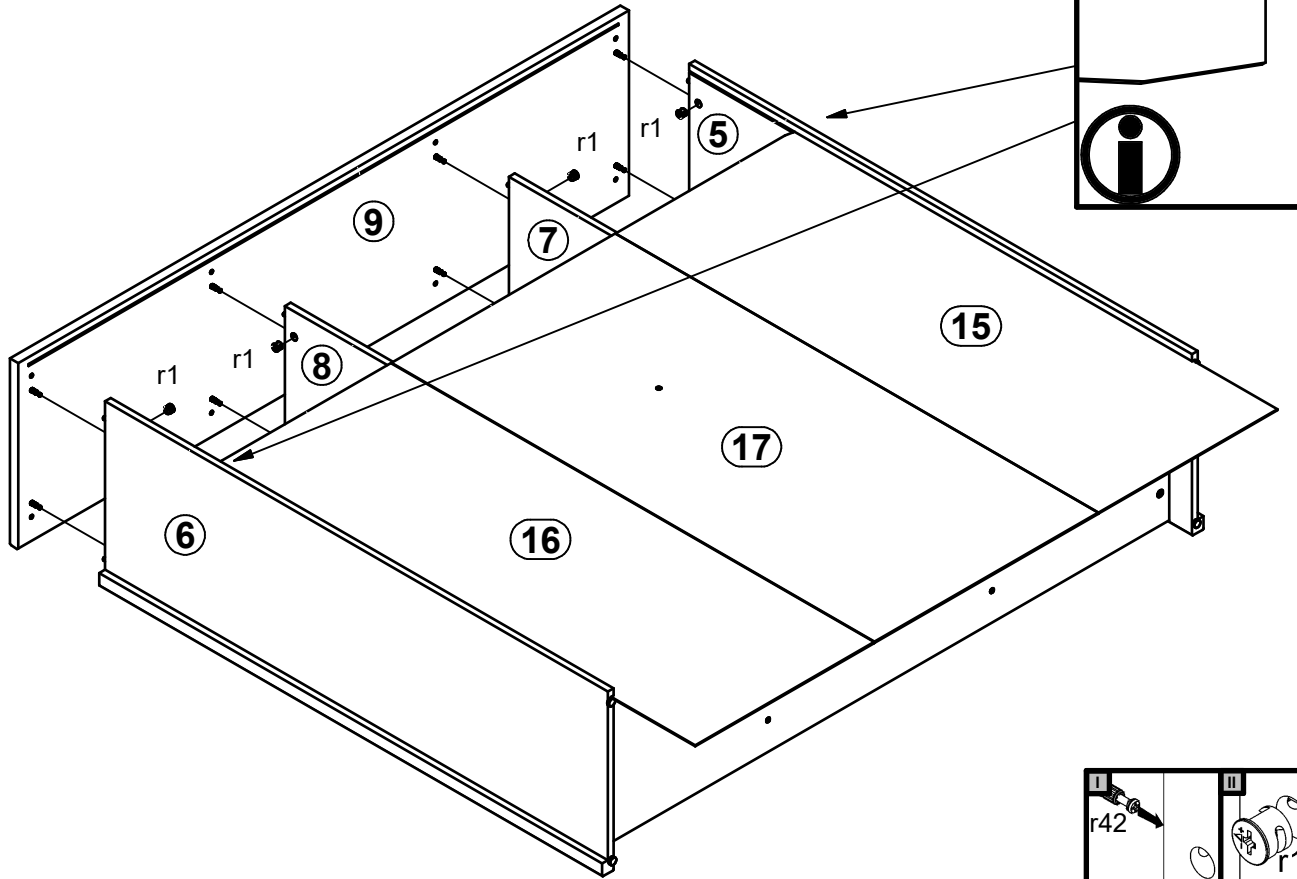
# 6



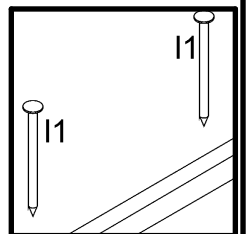
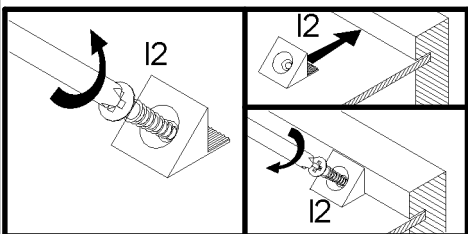
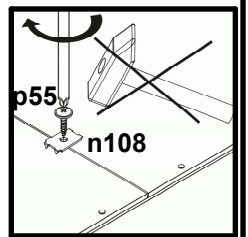
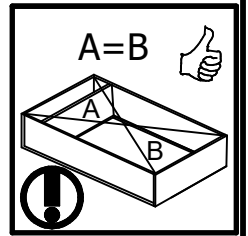
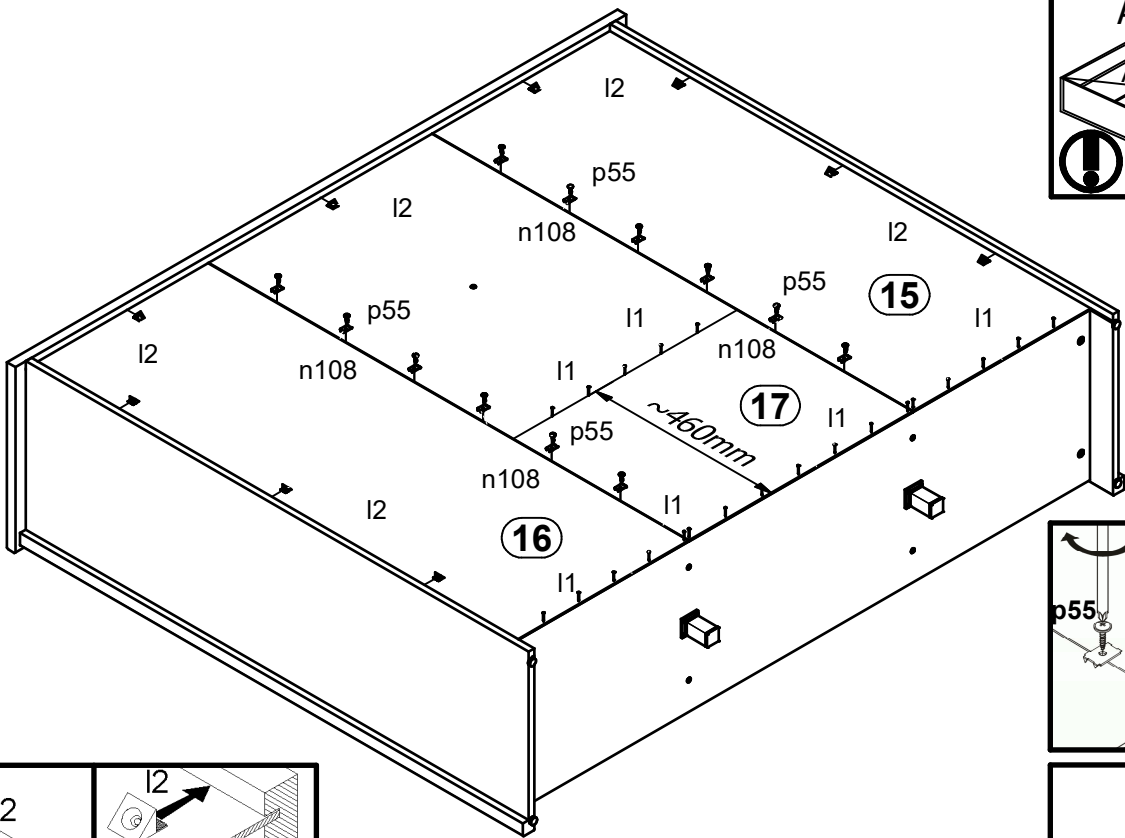
# 7



# 8



# 9



# 10

