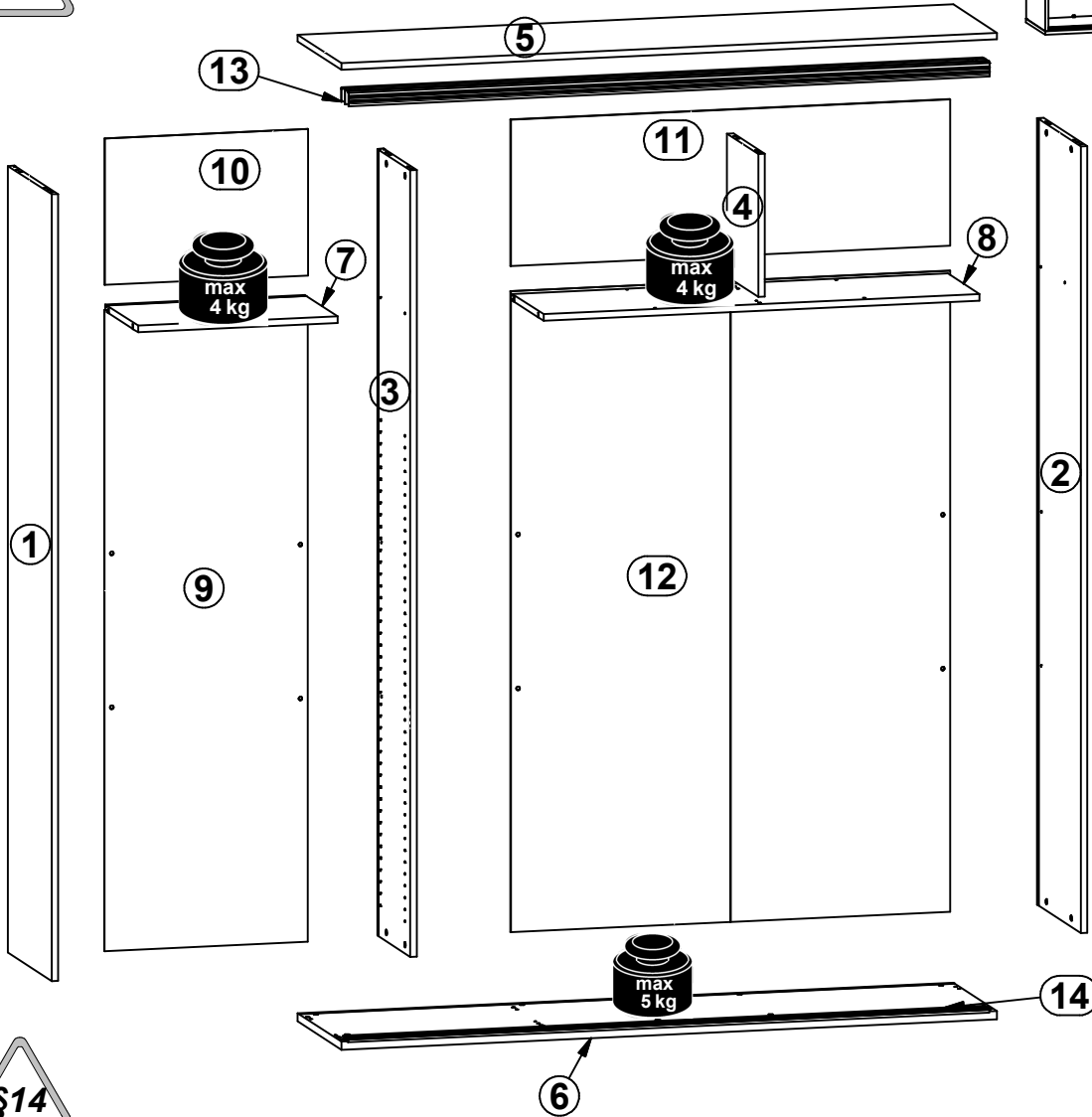
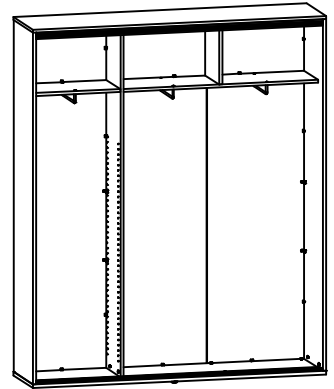
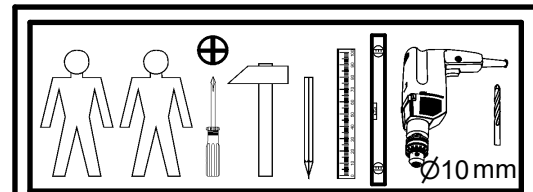


A	B	C	D	A	B	C	D	
1	F57-1022	2126	449	1/5	7	F57-3027	550 339	4/5
2	F57-1023	2126	449	1/5	8	F57-3036	1201 339	4/5
3	F57-1024	2126	340	2/5	9	F57-9001	1732 560	5/5
4	F57-1025	386	323	4/5	10	F57-9010	396 560	5/5
5	F57-2024	1807	450	3/5	11	F57-9014	396 1211	5/5
6	F57-2025	1807	450	3/5	12	F57-9304	1732 1211	5/5

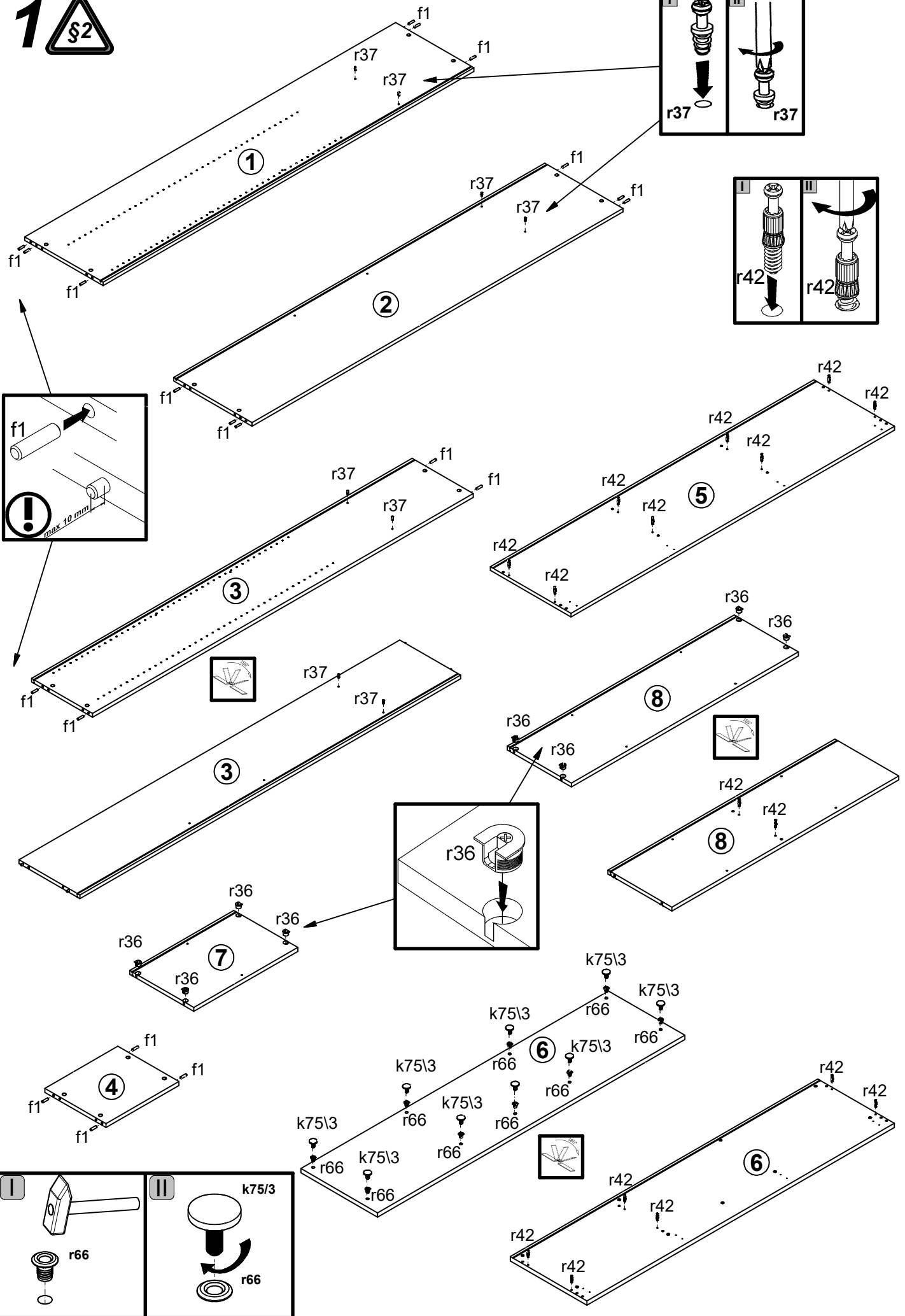


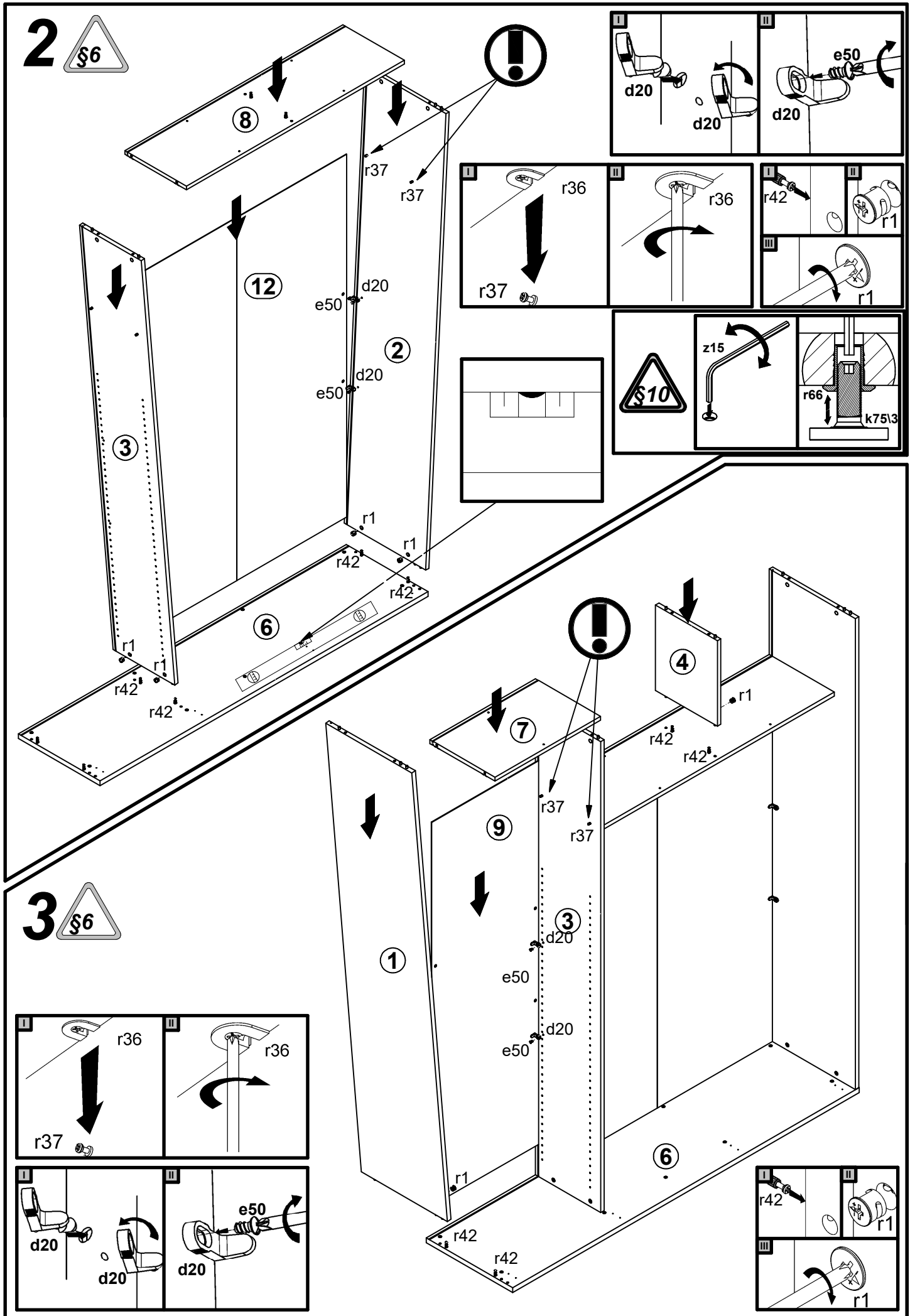
A	B	C	D
13	w106\7	1767	76 1/1
14	w107\7	1767	53 1/1



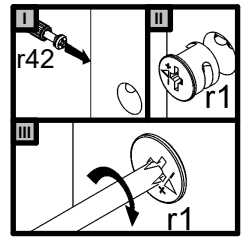
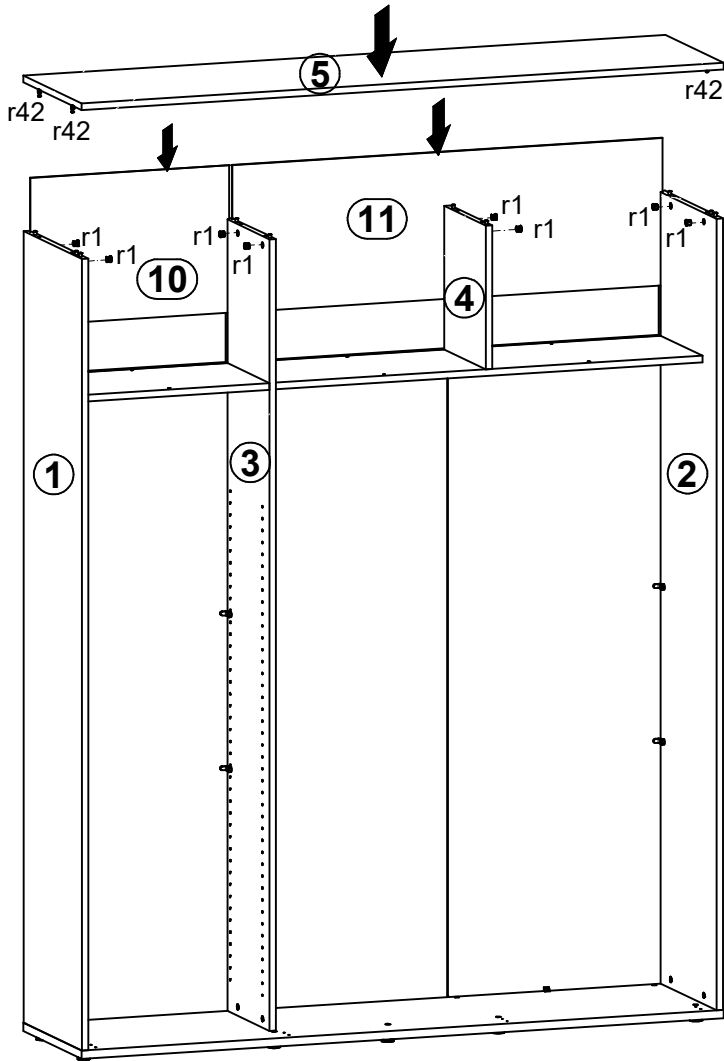
8x d20	8x e50 Ø6.3x10 mm	20x f1 Ø8x30 mm	3x g76\1 L-296x60	6x j53 M4x25 mm	9x k75\3 32 mm	24x l2	16x p51 Ø3.5x15 mm	16x r1 Ø15x12 mm #16
8x r36 Ø20x12 mm #16	8x r37 6,7/7,8	16x r42 20/11	9x r66 Ø12xM10x17mm	16x s2 Ø16	9x s41 Ø12x4 mm	1x z15 4 mm	2x n14\2 86x21x15/1,5	4x p38 Ø3,5x16 mm
							2x p17 Ø5x60 mm	2x f35 Ø10x50 mm

1 

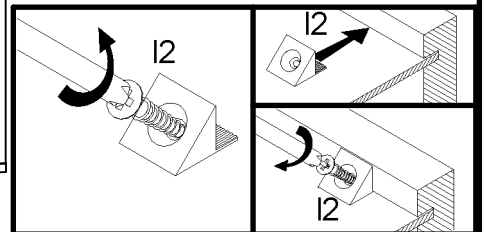
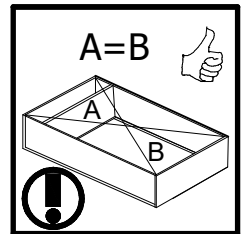
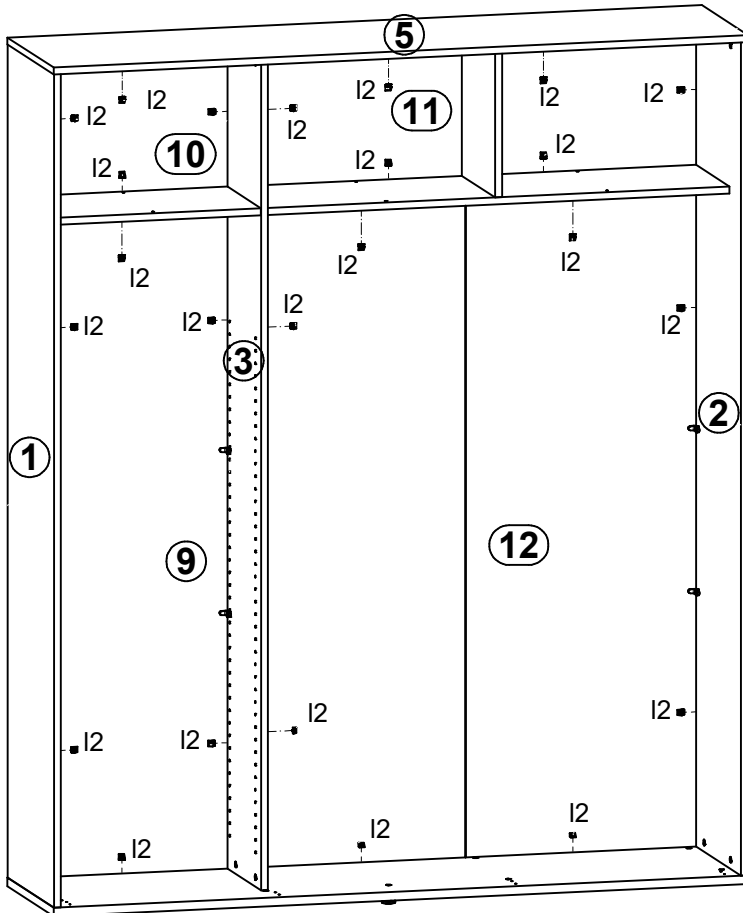




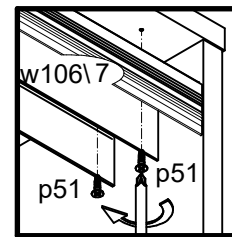
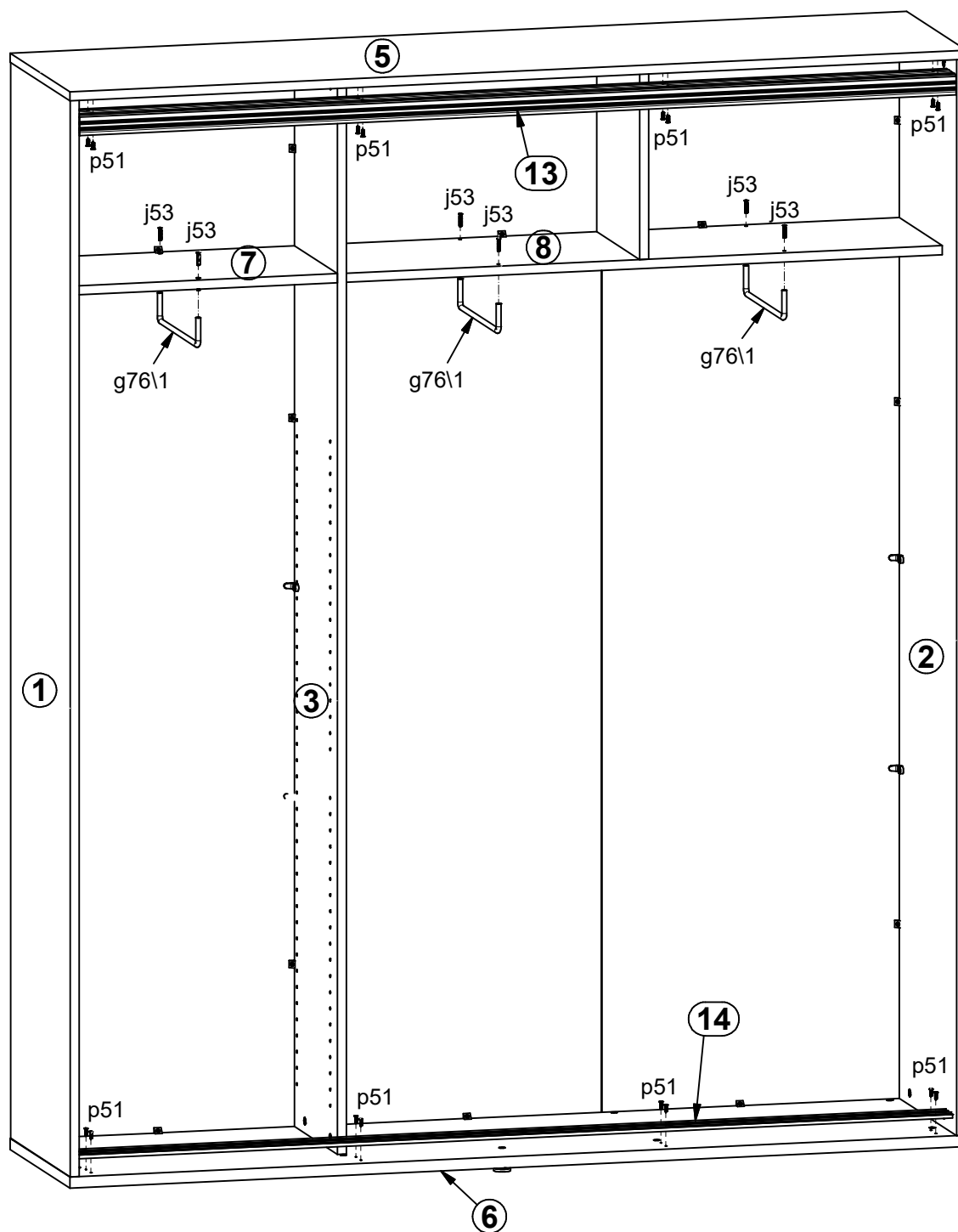
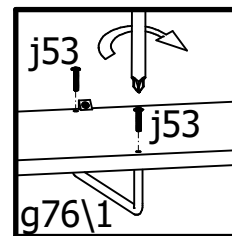
**4** §6



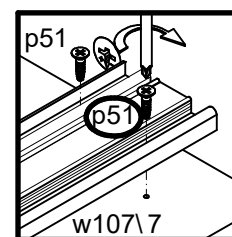
**5** §6



6 §6



§14



7 §6

