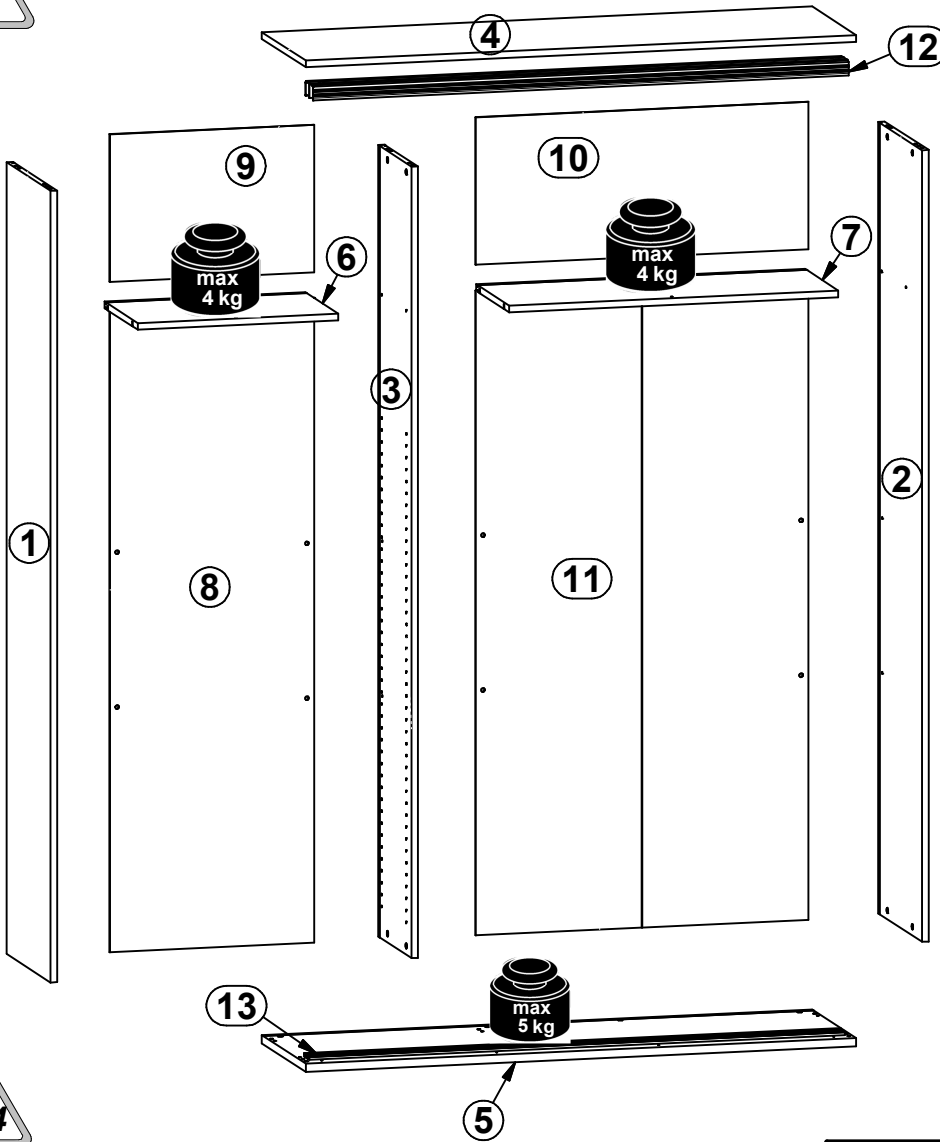
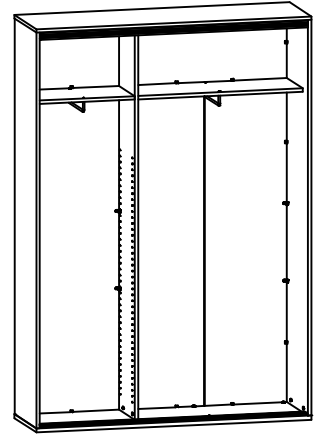


A

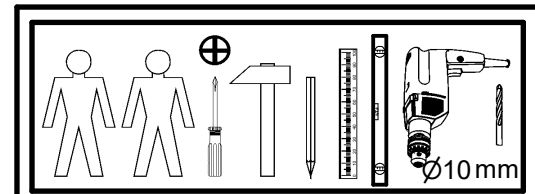
FLEX

F57-SZF/150/218/45

A	B	C	D	A	B	C	D	
1	F57-1022	2126	449	1/5	7	F57-3031	901 339	4/5
2	F57-1023	2126	449	1/5	8	F57-9001	1732 560	5/5
3	F57-1024	2126	340	2/5	9	F57-9010	396 560	5/5
4	F57-2019	1507	450	3/5	10	F57-9012	396 911	5/5
5	F57-2020	1507	450	3/5	11	F57-9302	1732 911	5/5
6	F57-3027	550	339	4/5				

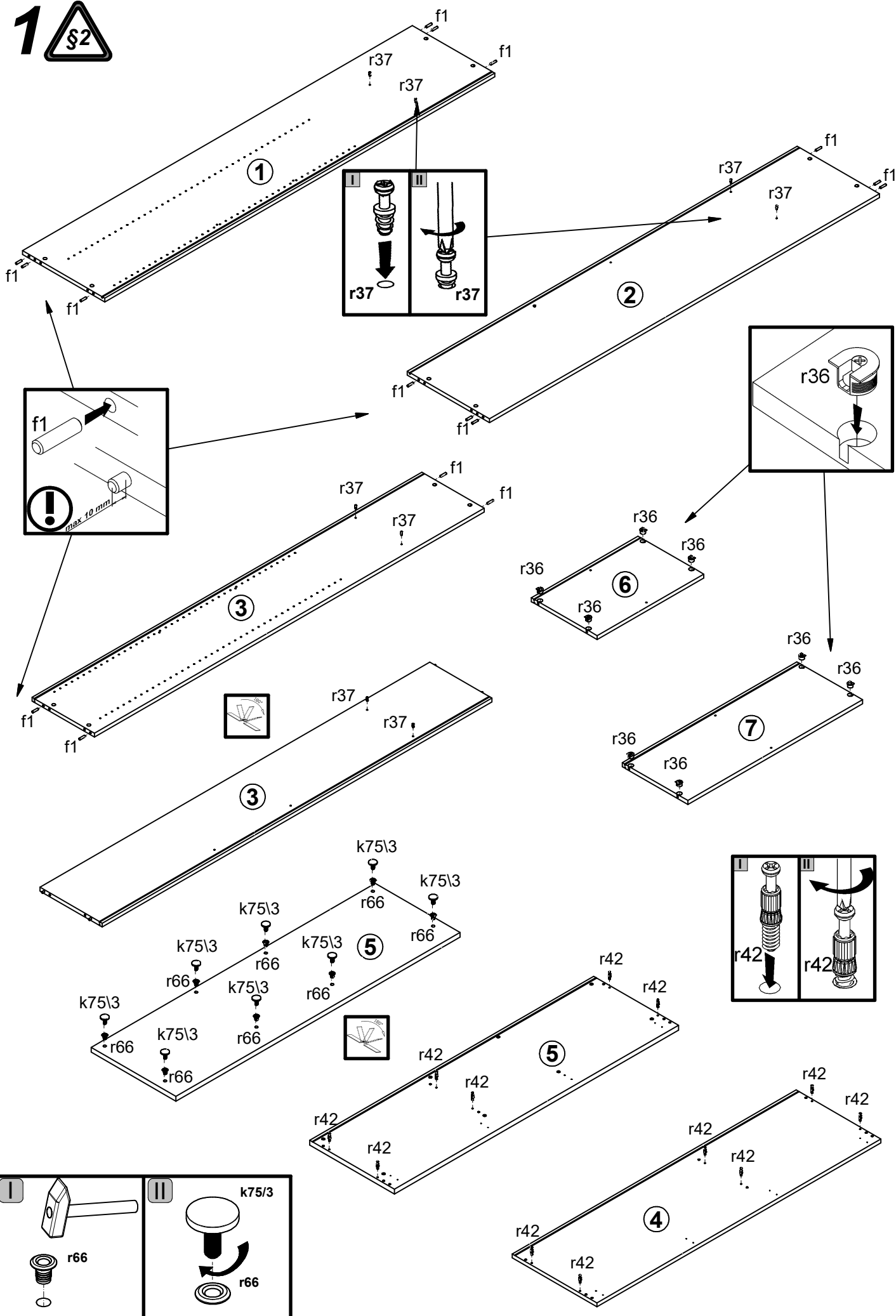


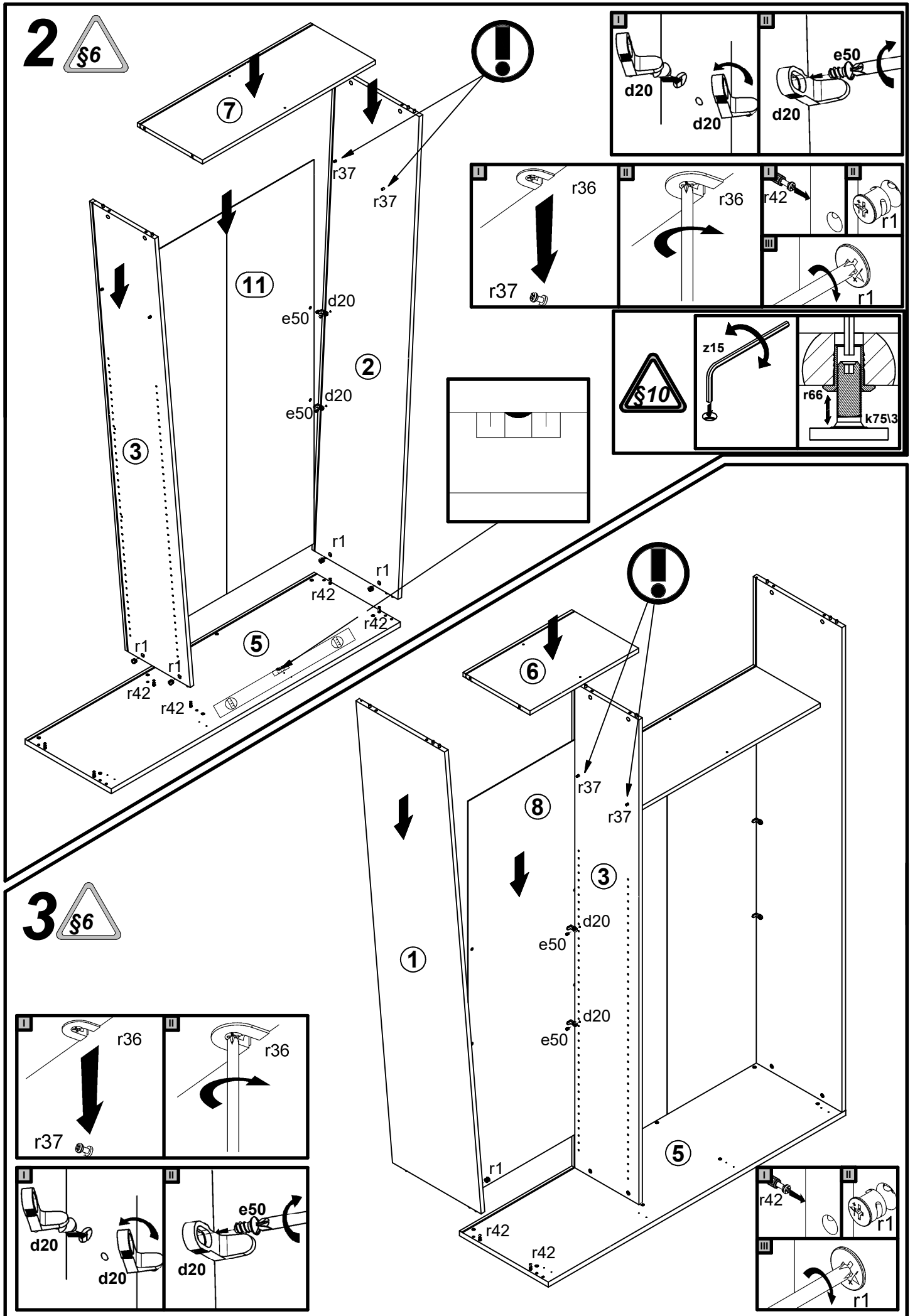
A	B	C	D
13	w107/4	1467	53 1/1
12	w106/4	1467	76 1/1



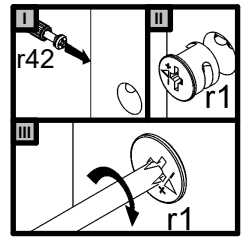
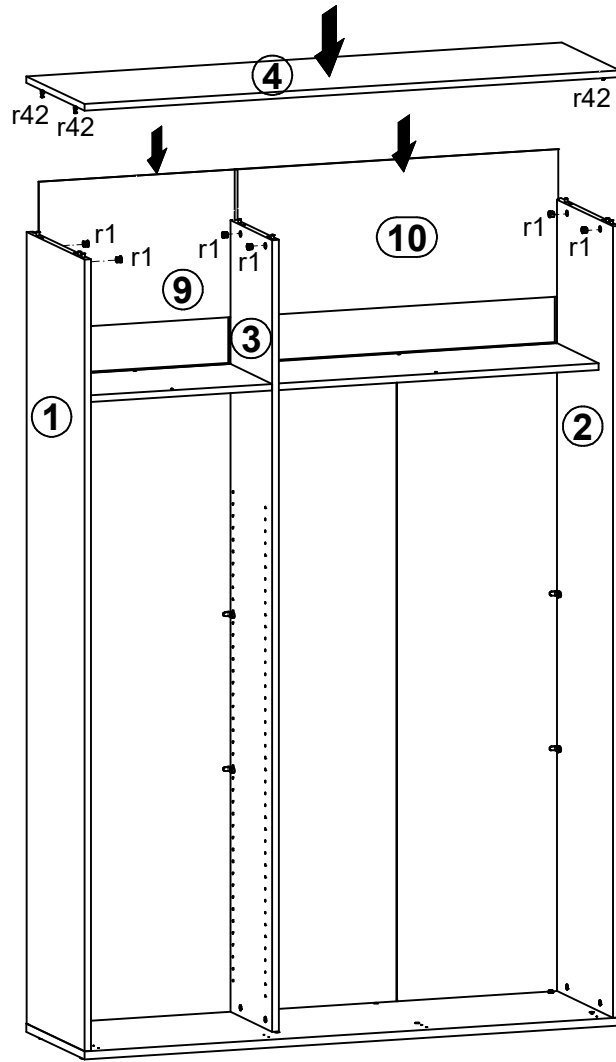
8x d20	8x Ø6.3x10 mm e50	16x Ø8x30 mm f1	2x L-296x60 g76/1	4x M4x25 mm j53	8x 32 mm k75/3	24x l2	16x Ø3.5x15 mm p51	12x Ø15x12 mm #16 r1
8x Ø20x12 mm #16 r36	8x 6,7/7,8 r37	12x 20/11 r42	8x Ø12xM10x17mm r66	12x Ø16 s2	8x Ø12x4 mm s41	1x 4 mm z15		
					2x 86x21x15/1,5 n14/2	4x Ø3,5x16 mm p38	2x Ø5x60 mm p17	2x Ø10x50 mm f35

1 

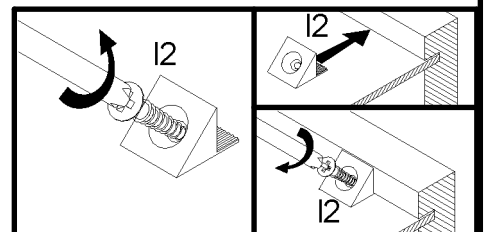
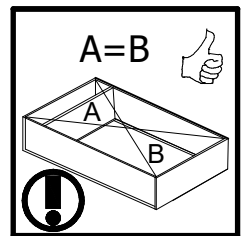
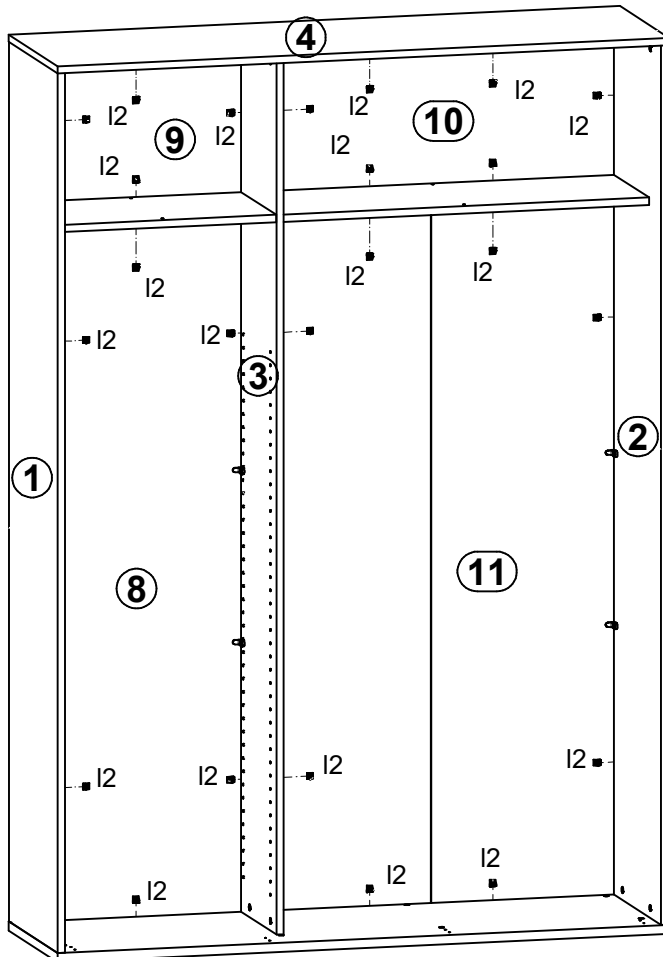




4 §6

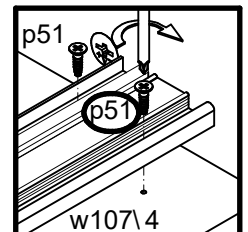
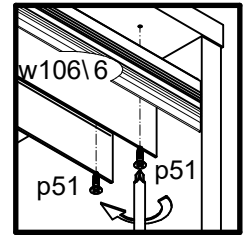
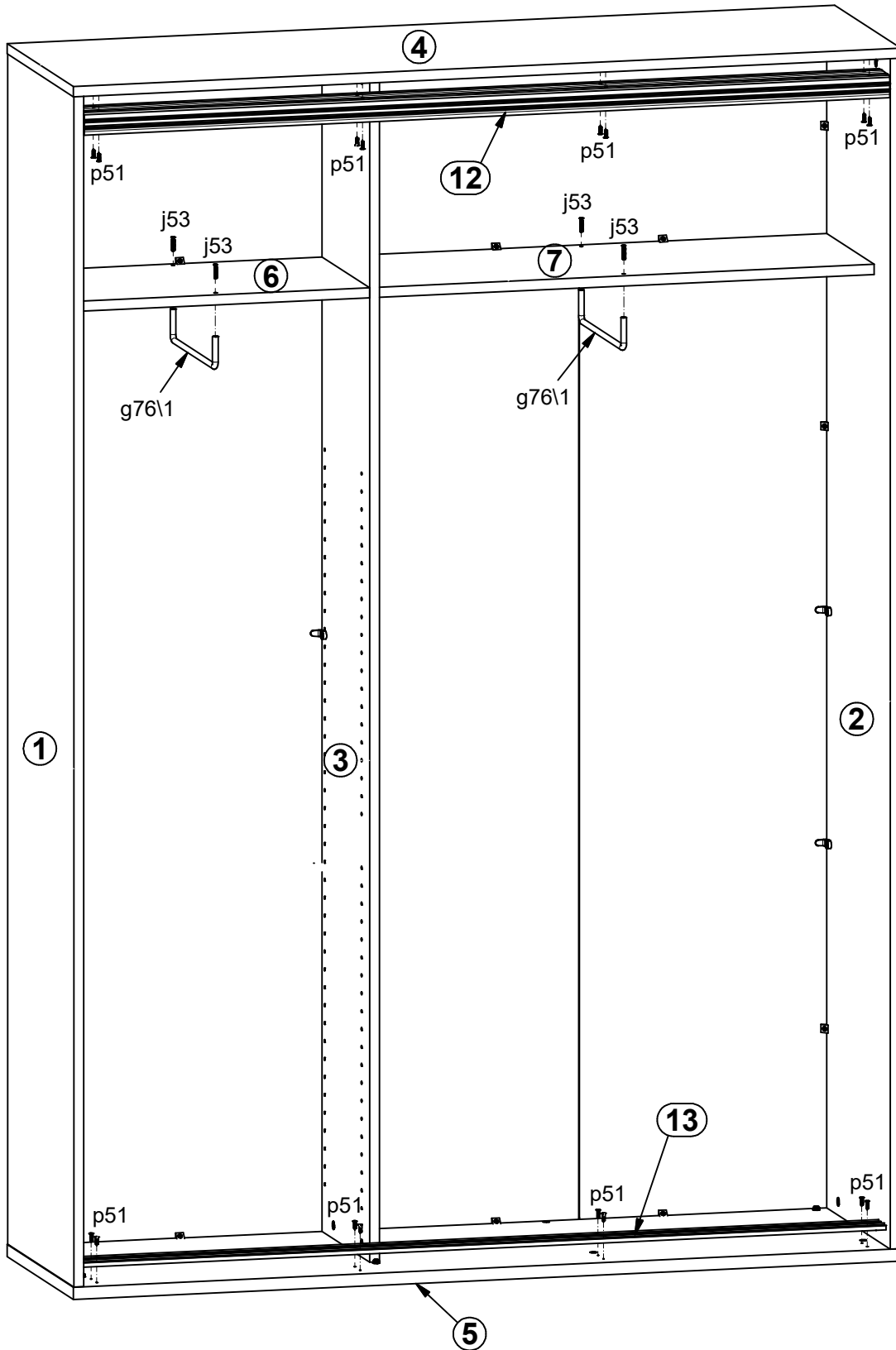
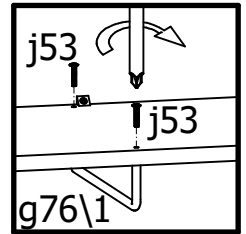


5 §6



6

§6



7 §6

