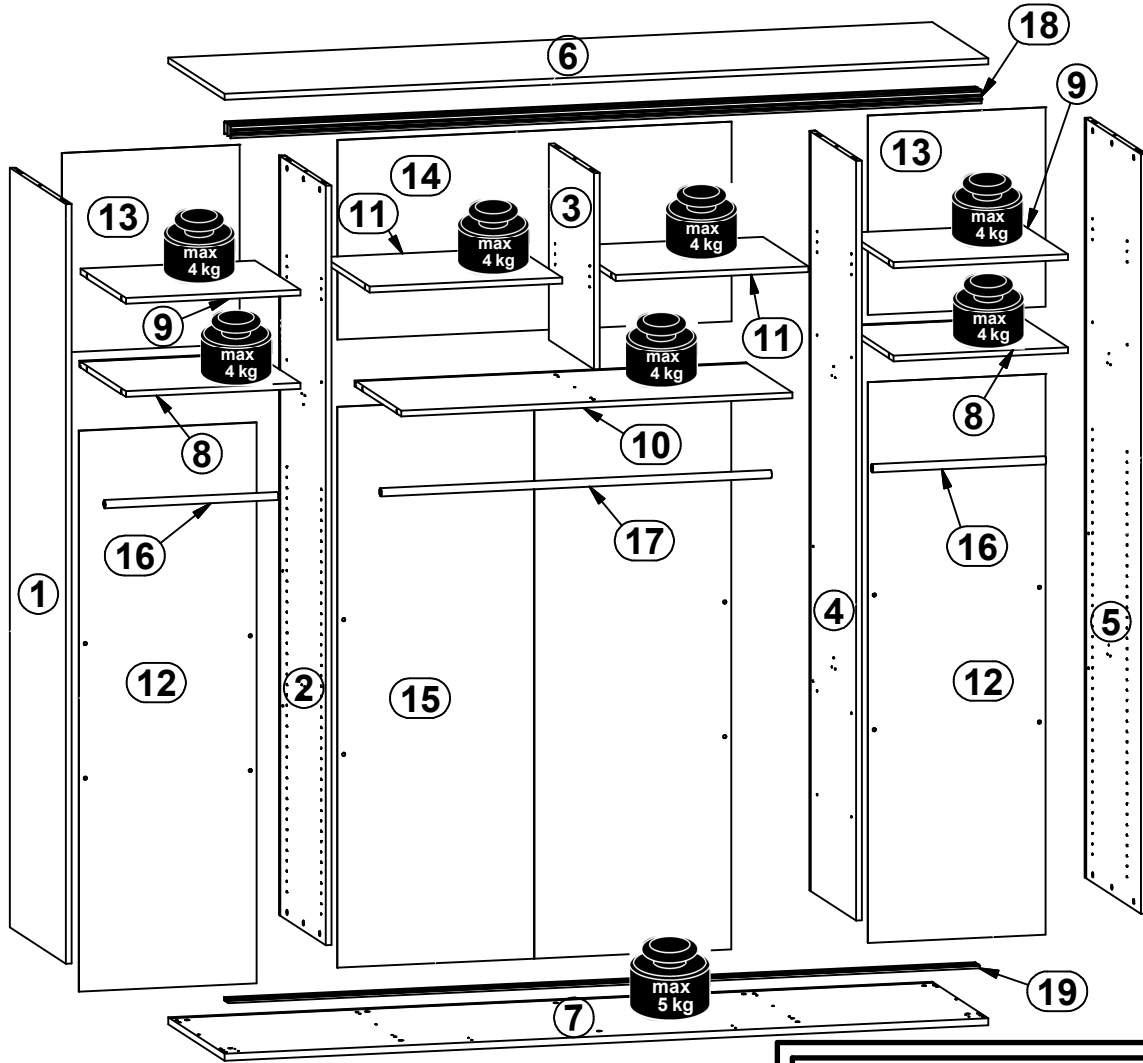
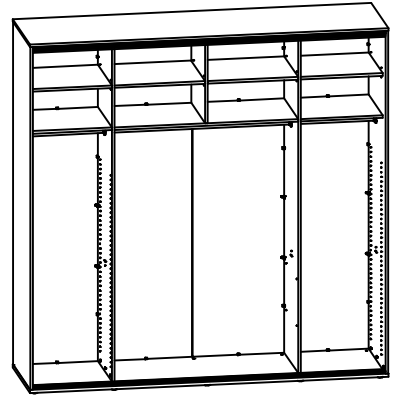


**A**

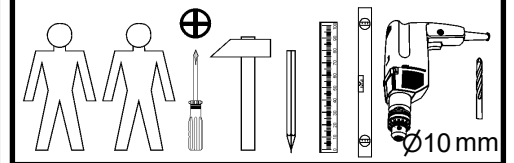
# FLEX

**F57-SZF/240/240/66**

A	B	C	D	A	B	C	D	
1	F57-1001	2346	659	1½	11	F57-3022	607 533	4½
2	F57-1003	2346	550	2½	12	F57-9001	1732 560	5½
3	F57-1005	606	533	4½	13	F57-9002	616 560	5½
4	F57-1006	2346	550	2½	14	F57-9009	616 1242	5½
5	F57-1010	2346	659	1½	15	F57-9307	1732 1241	5½
6	F57-2013	2407	660	3½	16	g47\19	545 0	4½
7	F57-2014	2407	660	3½	17	g47\4	1230 0	4½
8	F57-3001	550	549	4½				
9	F57-3002	550	533	4½				
10	F57-3021	1233	549	4½				

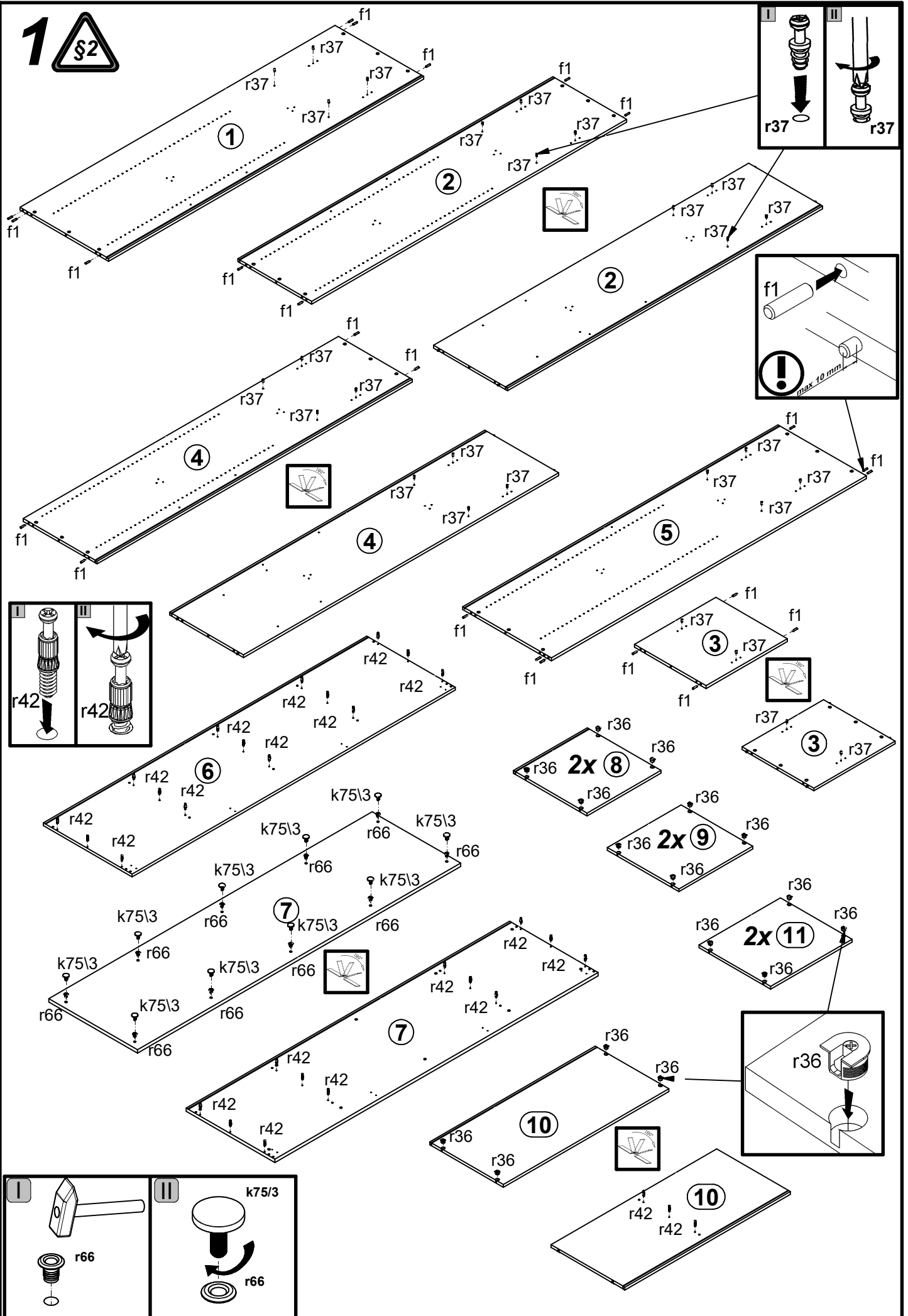


A	B	C	D
18	w106\11	2367	76 1\1
19	w107\11	2367	53 1\1

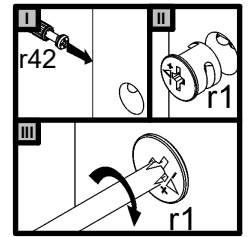
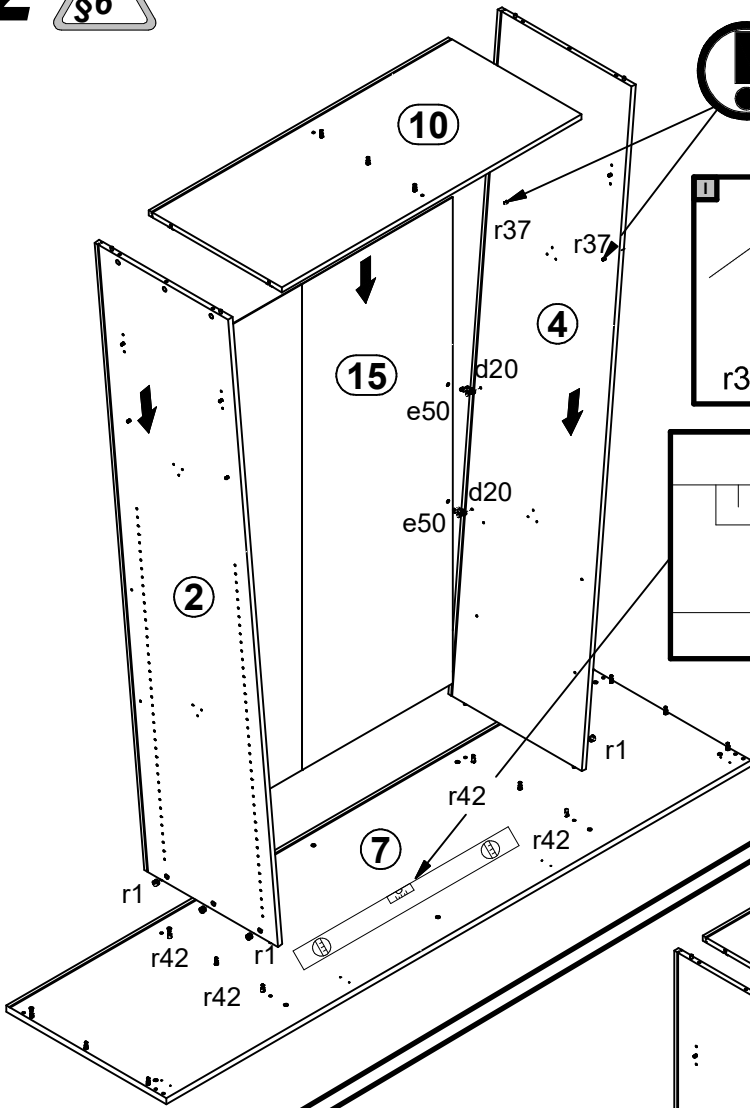
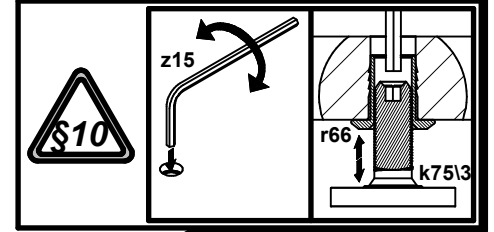
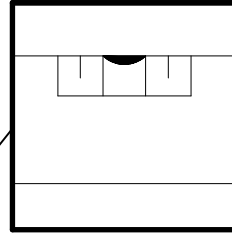
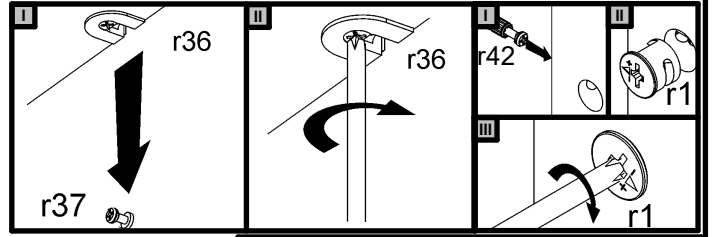
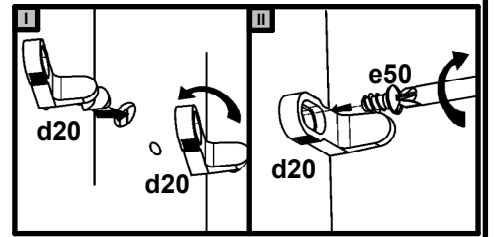


12x d20	18x Ø6x13 mm e3	12x Ø6,3x10 mm e50	24x Ø8x30 mm f1	2x Ø10x50 mm f35	6x g46	10x 32 mm k75\3	34x l2	2x 86x21x15/1,5 n14\2
2x Ø5x60 mm p17	4x Ø3,5x16 mm p38	16x Ø3,5x15 mm p51	30x Ø15x12 mm #16 r1	28x Ø20x12 mm #16 r36	28x 6,7/7,8 r37	30x 20/11 r42	10x Ø12xM10x17mm r66	30x Ø16 s2
10x Ø12x4 mm s41	1x 4 mm z15	1x 3 mm z22						

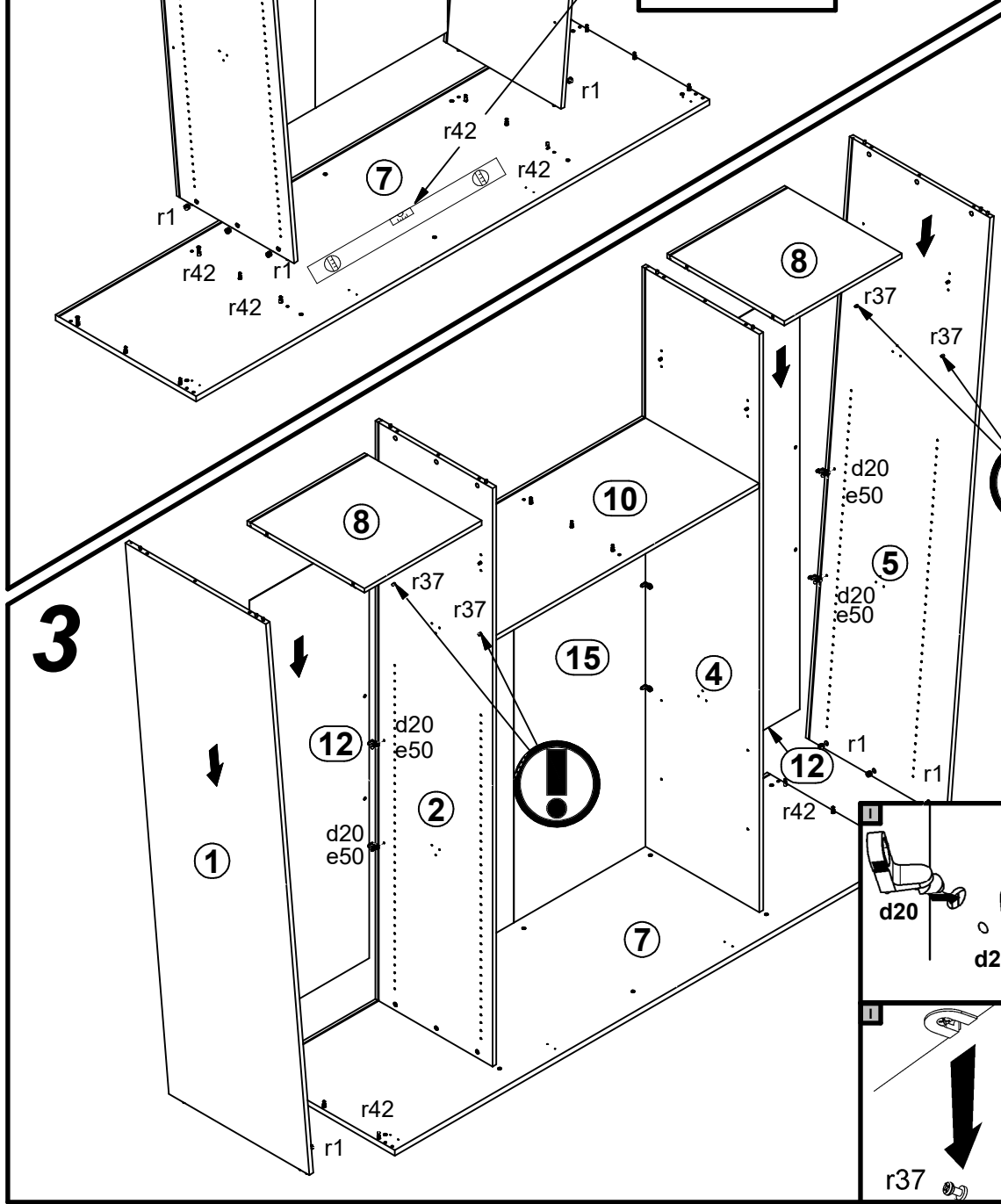
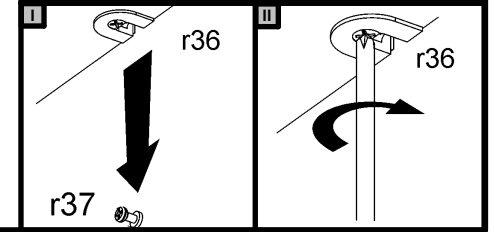
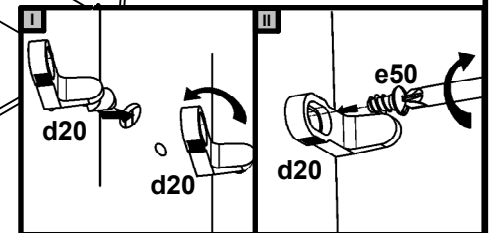
1 §2



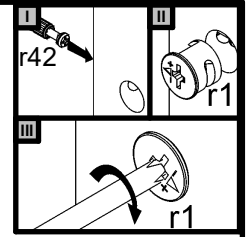
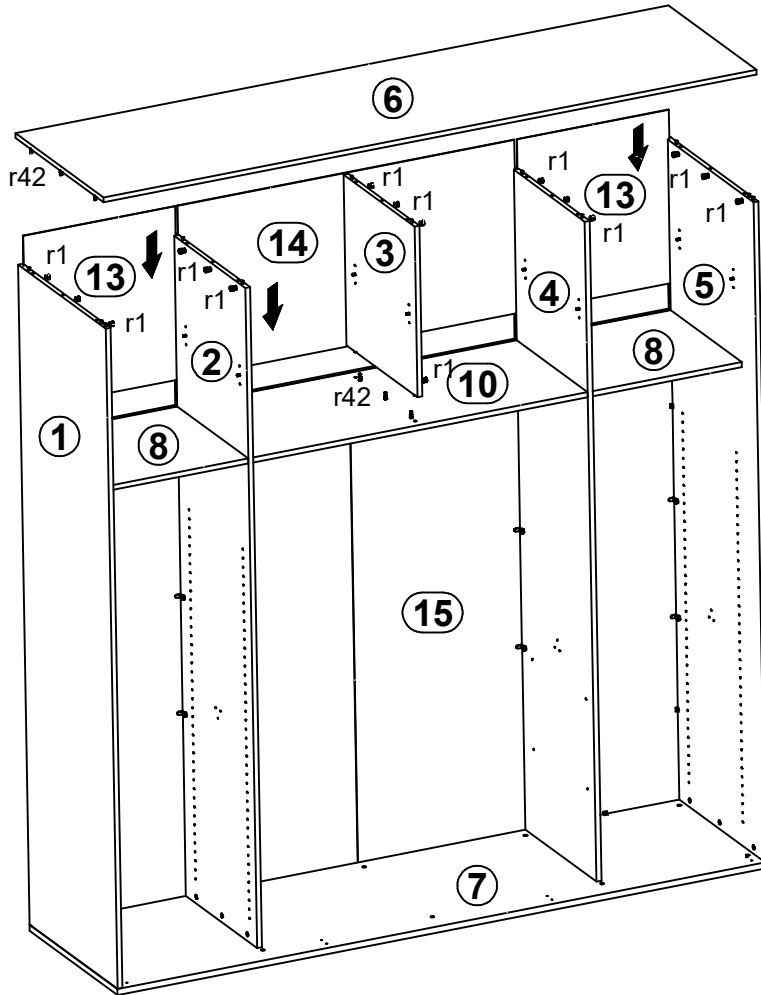
# 2



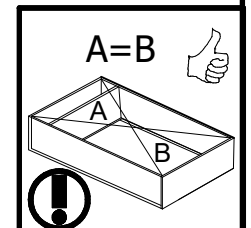
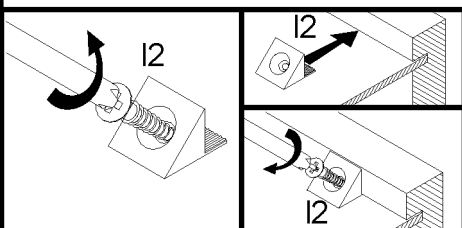
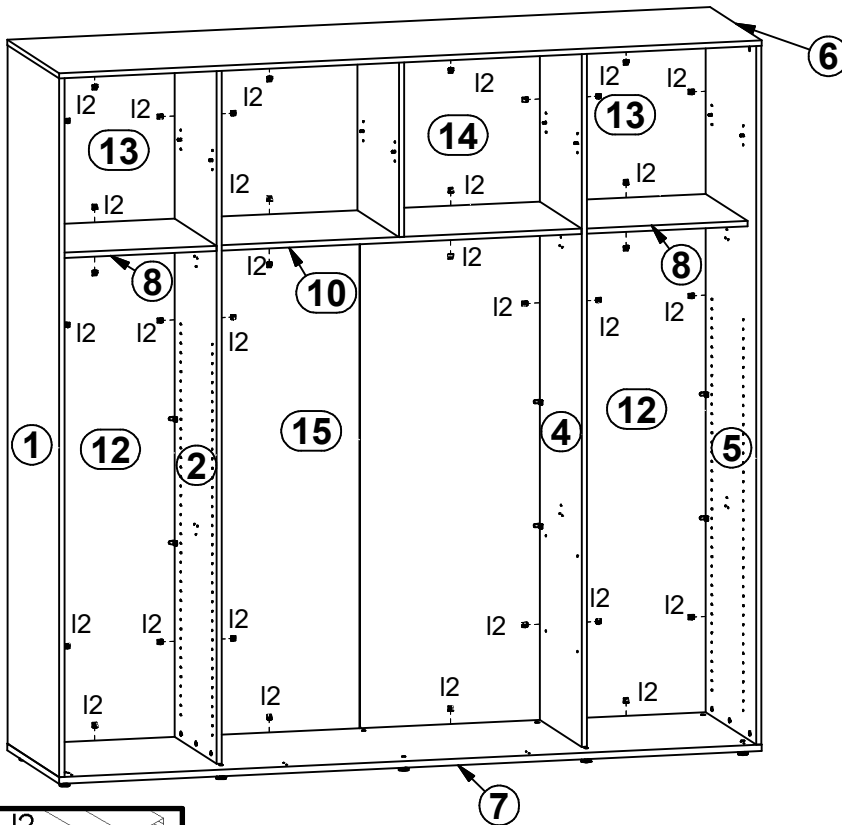
# 3



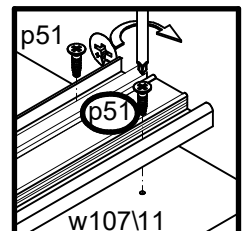
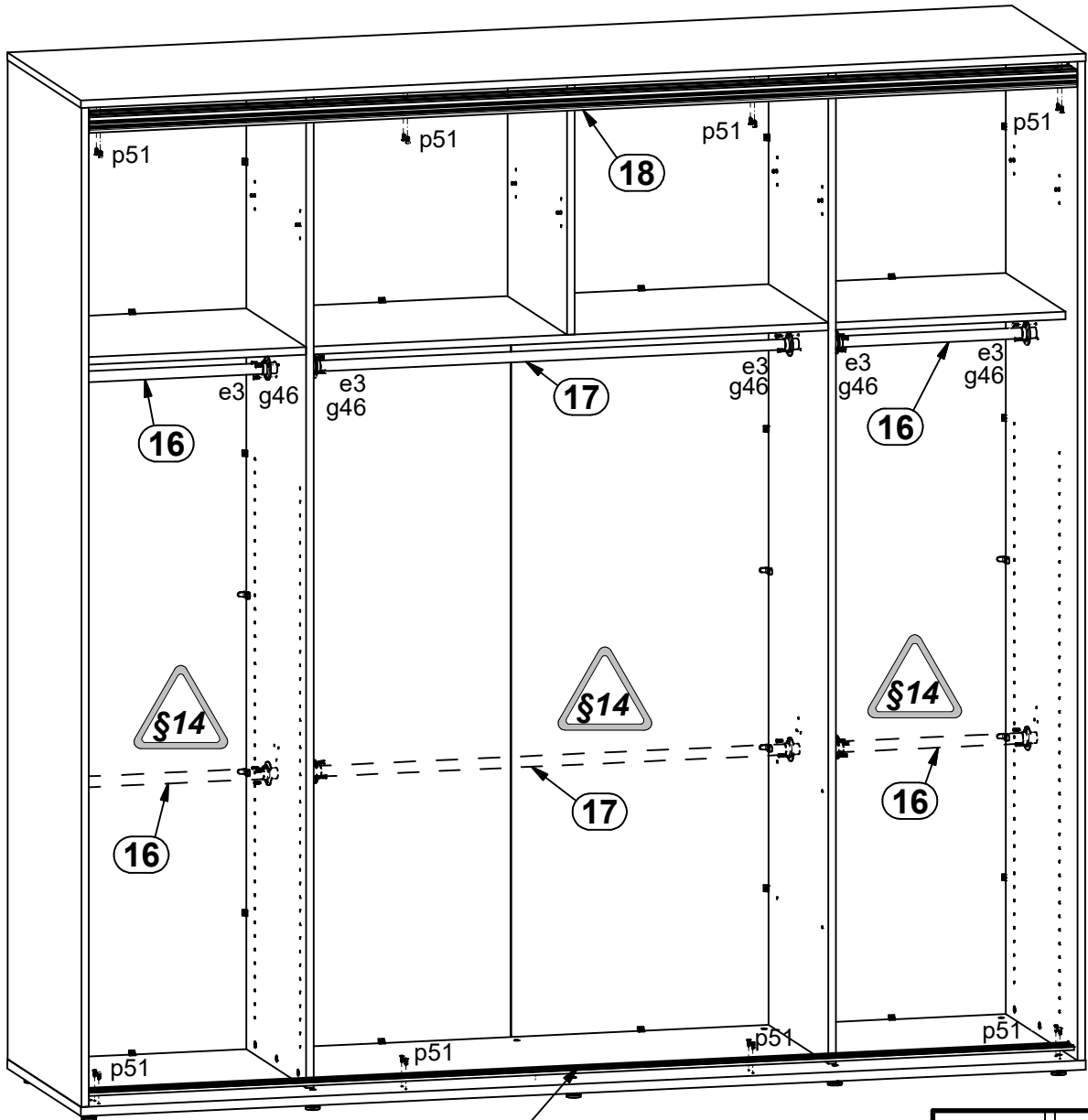
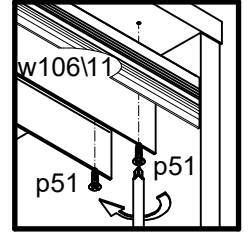
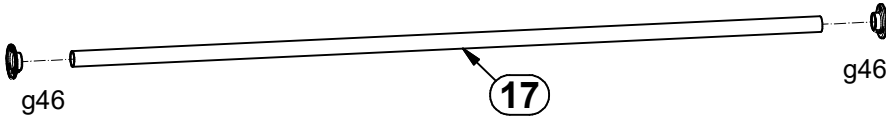
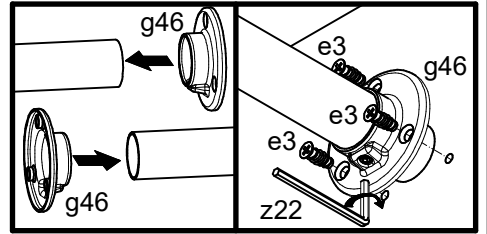
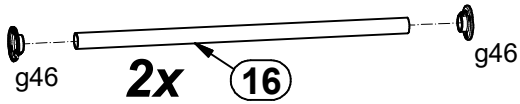
# 4



# 5



# 6



# 7

