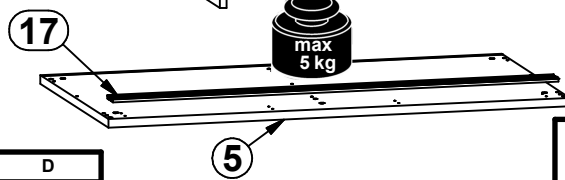
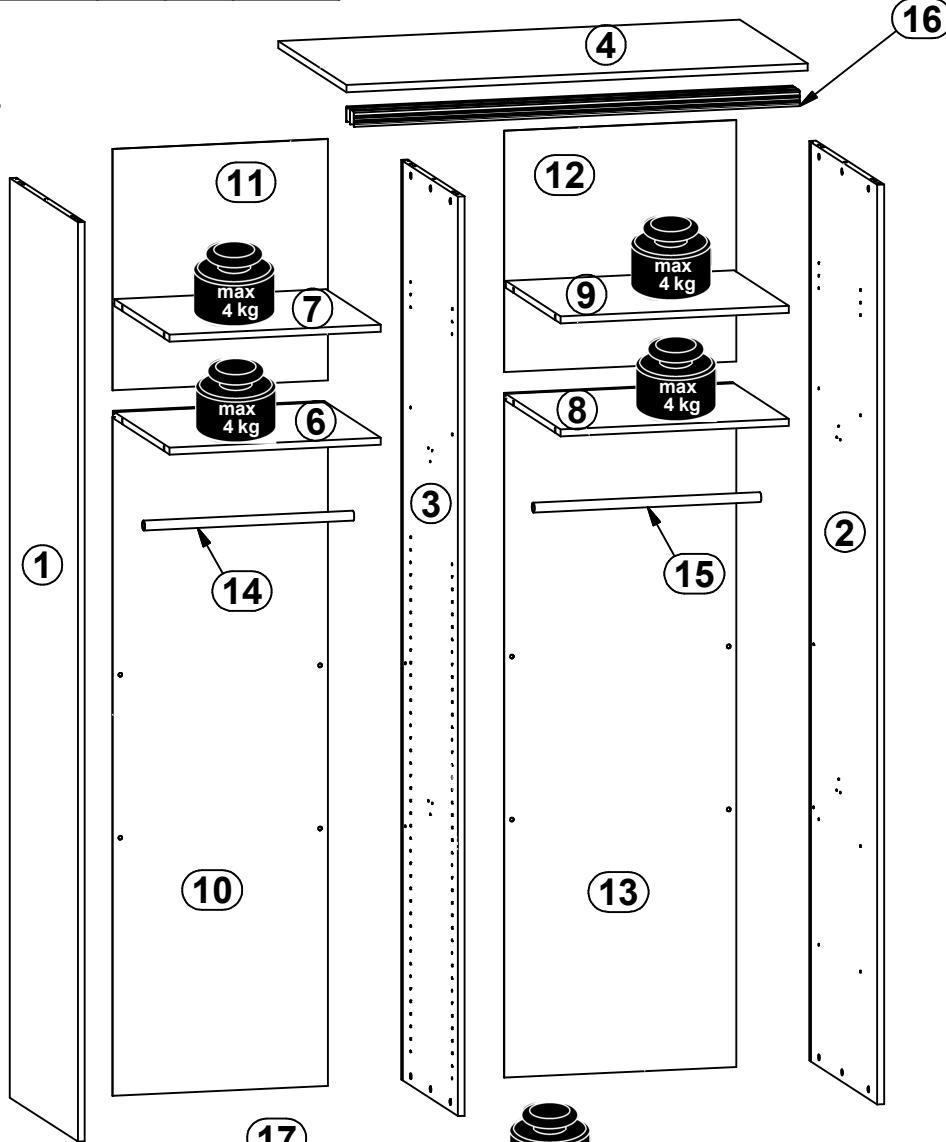
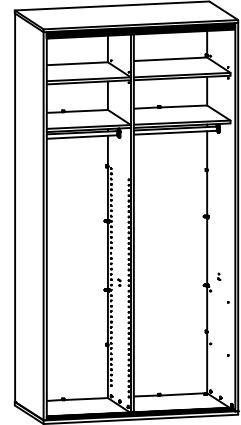
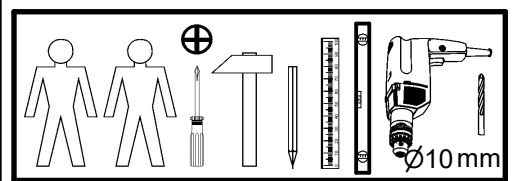


A	B	C	D	A	B	C	D		
1	F57-1001	2346	659	1/5	9	F57-3004	594	533	4/5
2	F57-1002	2346	659	1/5	10	F57-9001	1732	560	5/5
3	F57-1003	2346	550	2/5	11	F57-9002	616	560	5/5
4	F57-2001	1200	660	3/5	12	F57-9003	616	604	5/5
5	F57-2002	1200	660	3/5	13	F57-9038	1732	604	5/5
6	F57-3001	550	549	4/5	14	g47\19	545	0	4/5
7	F57-3002	550	533	4/5	15	g47\20	590	0	4/5
8	F57-3003	594	549	4/5					

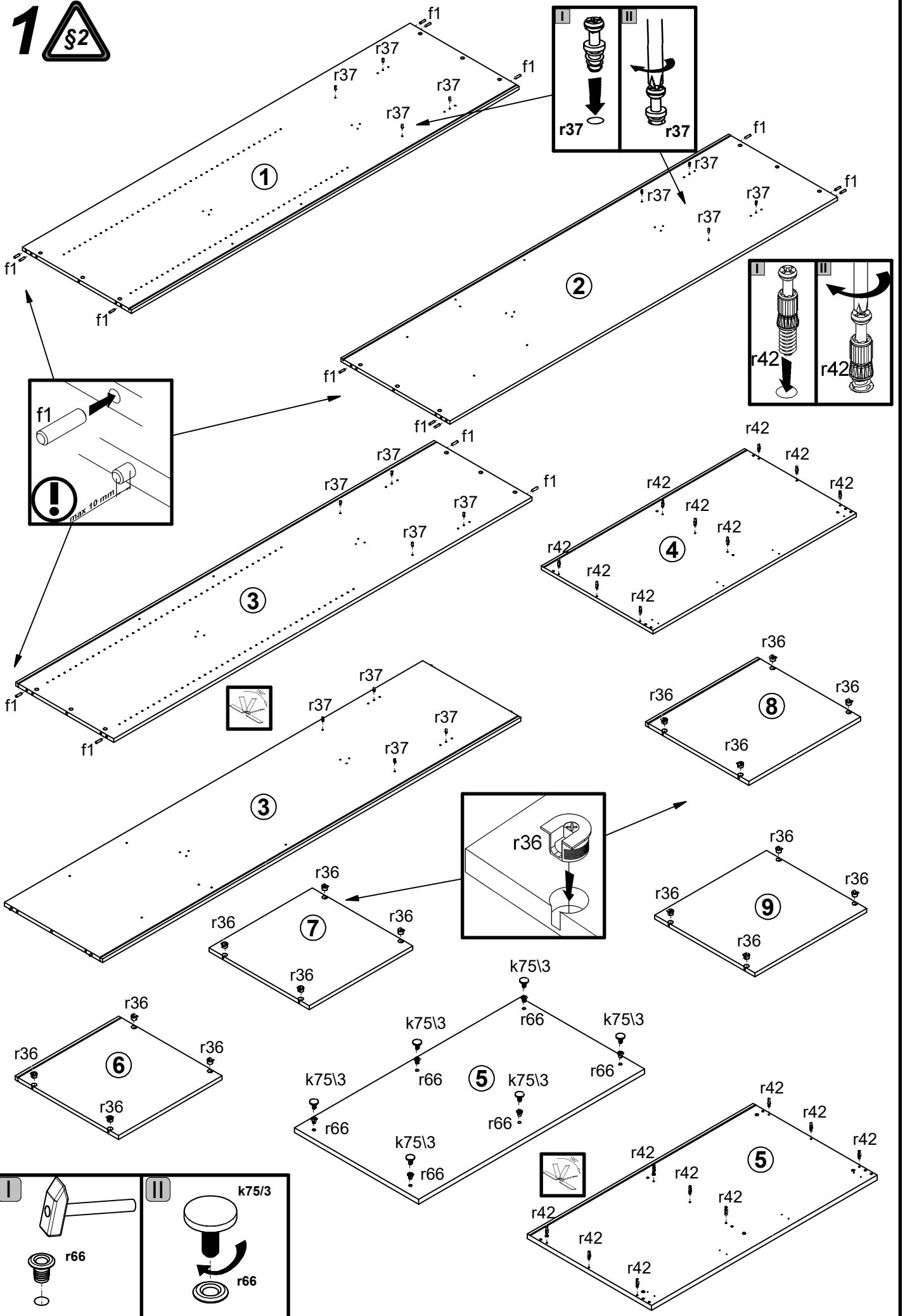


A	B	C	D	
16	w106_15	1160	76	1/1
17	w107\15	1160	53	1/1

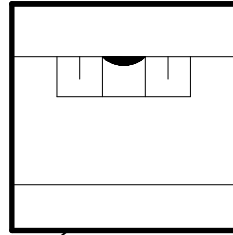
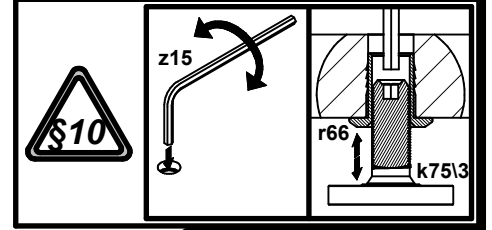
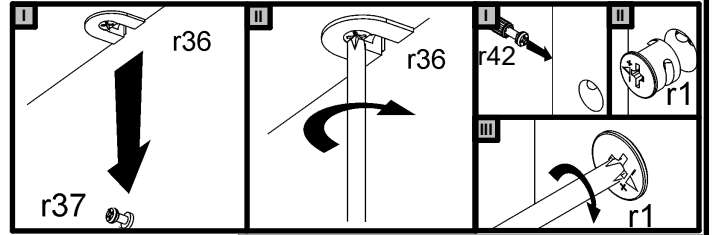
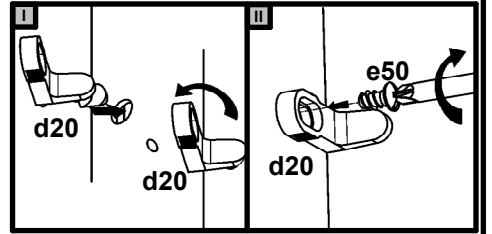
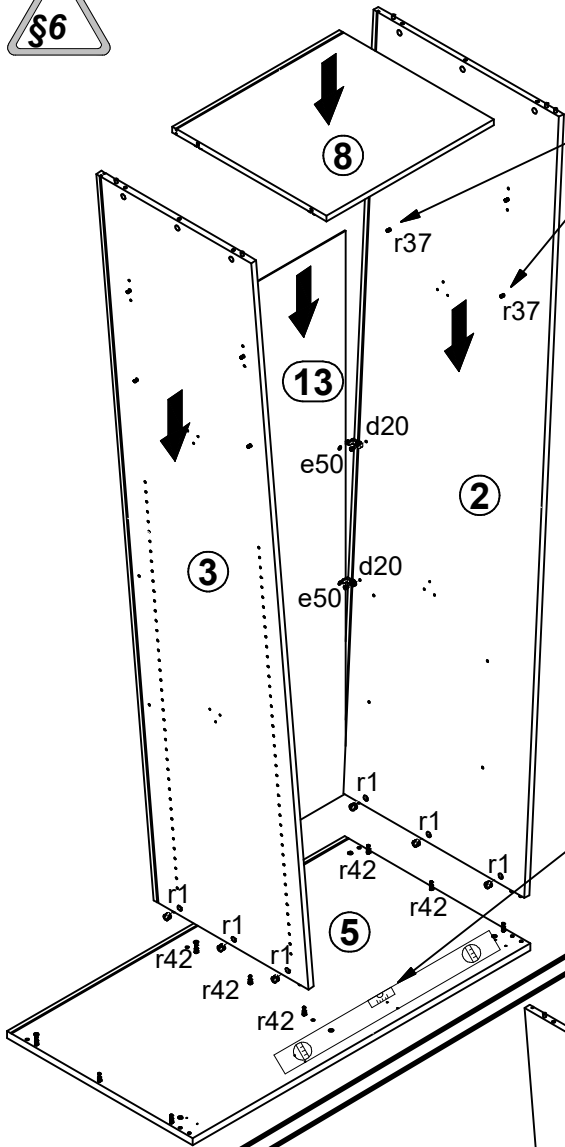


8x d20	12x Ø6x13 mm e3	8x Ø6.3x10 mm e50	16x Ø8x30 mm f1	4x g46	6x 32 mm k75\3	20x l2	16x Ø3.5x15 mm p51	18x Ø15x12 mm #16 r1
16x Ø20x12 mm #16 r36	16x 6,7/7,8 r37	18x 20/11 r42	6x Ø12xM10x17mm r66	18x Ø16 s2	6x Ø12x4 mm s41	1x 4 mm z15	1x 3 mm z22	
					2x 86x21x15/1,5 n14\2	4x Ø3,5x16 mm p38	2x Ø5x60 mm p17	2x Ø10x50 mm f35

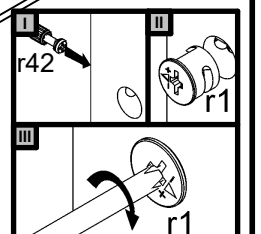
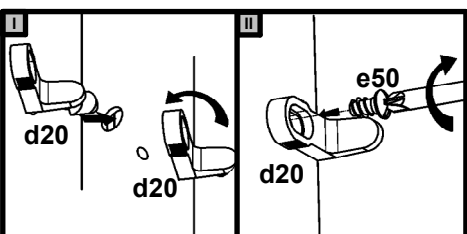
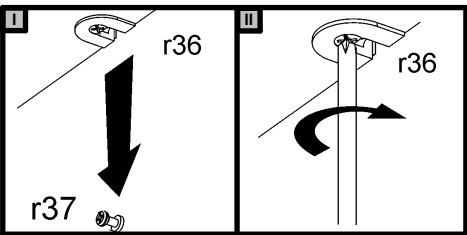
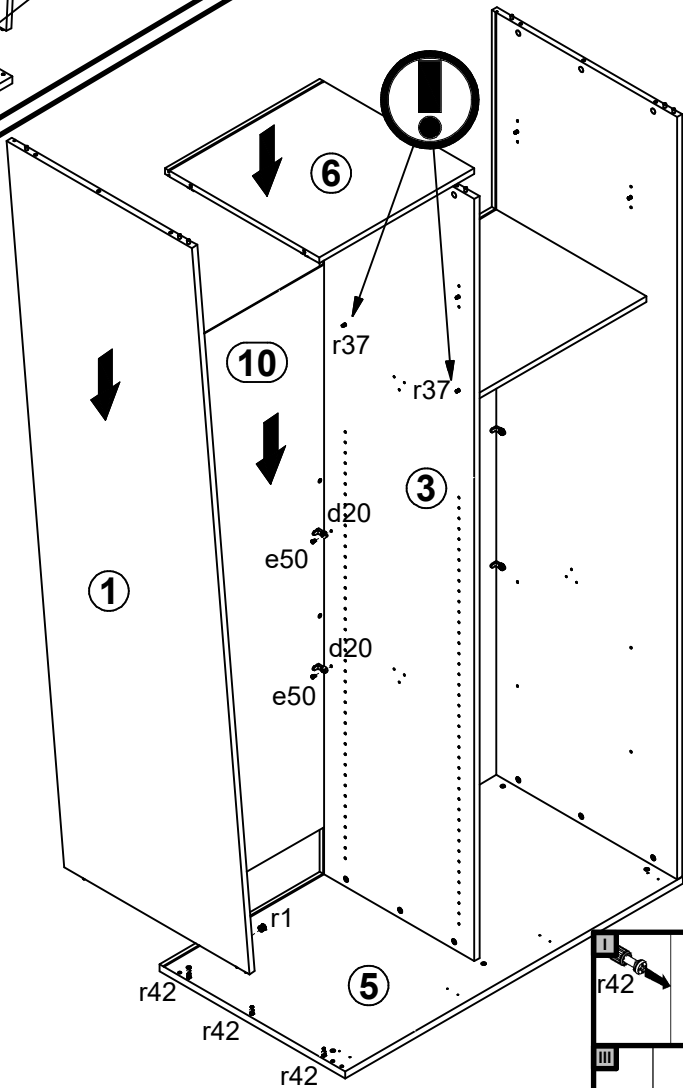
1 



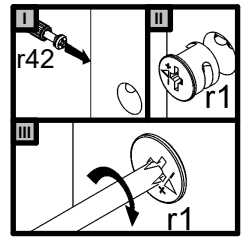
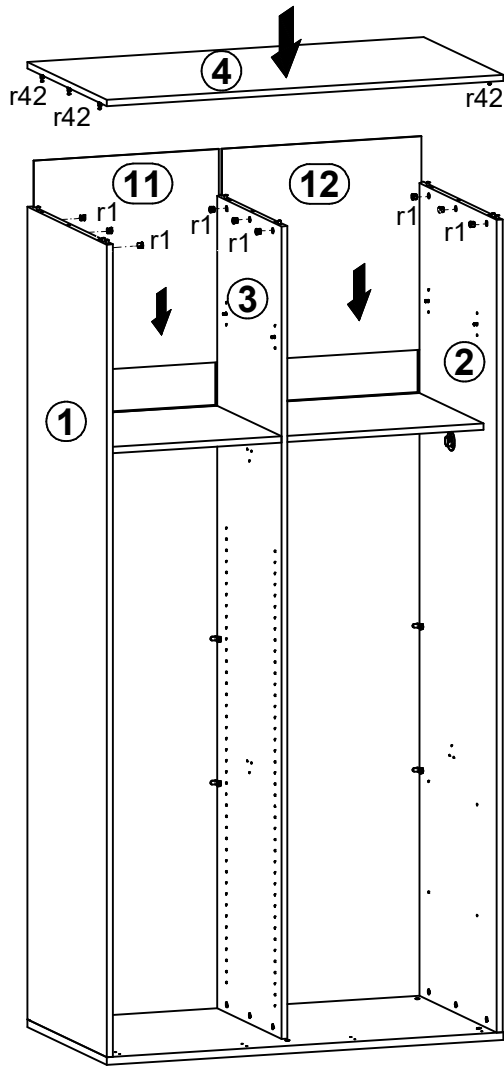
2 



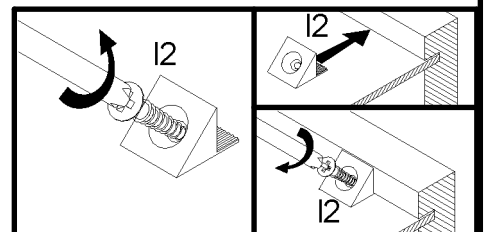
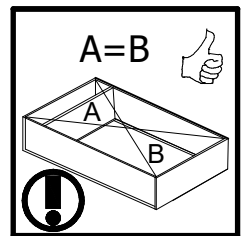
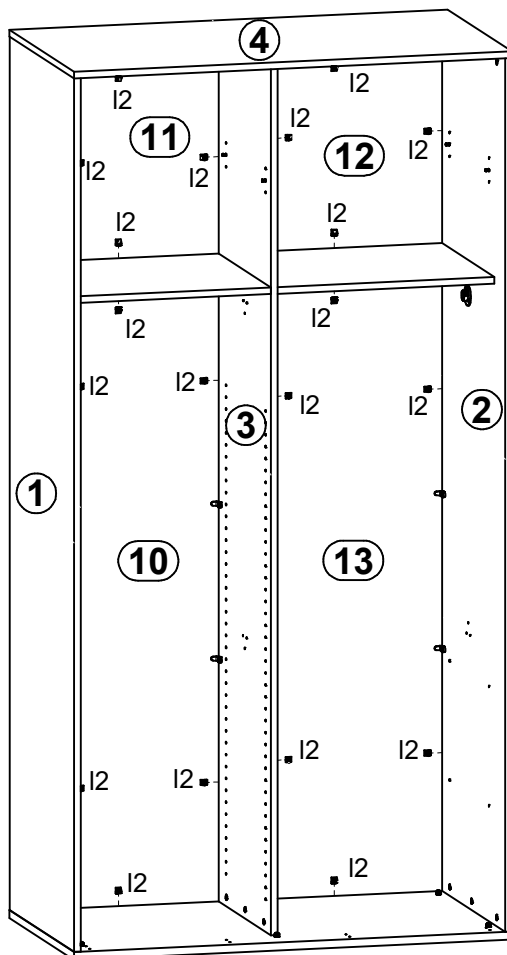
3 



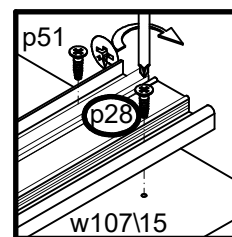
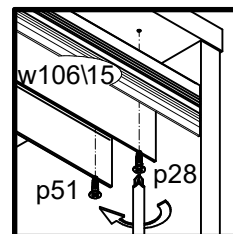
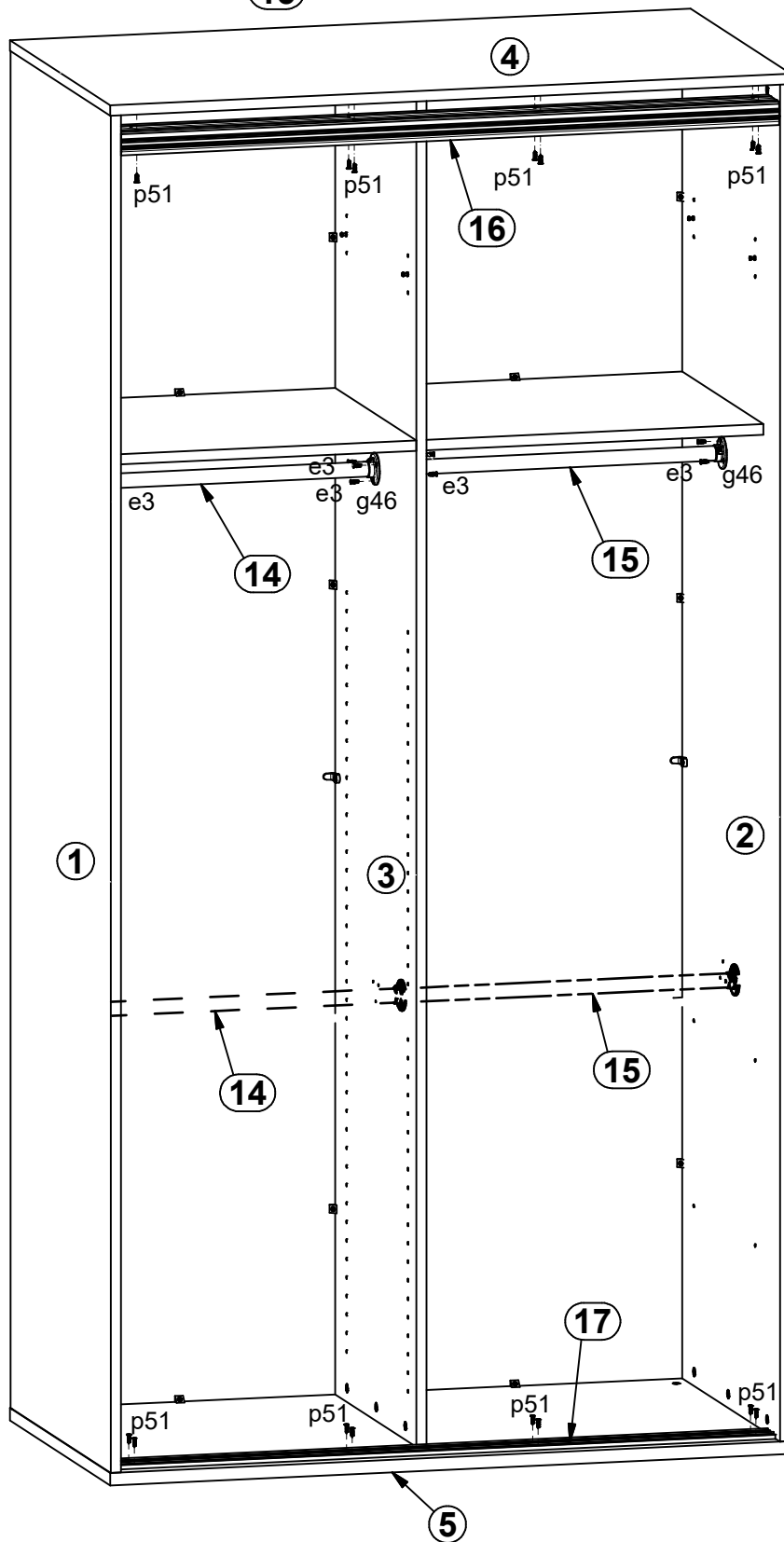
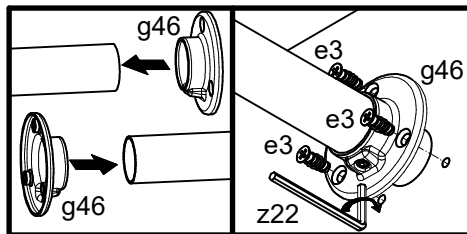
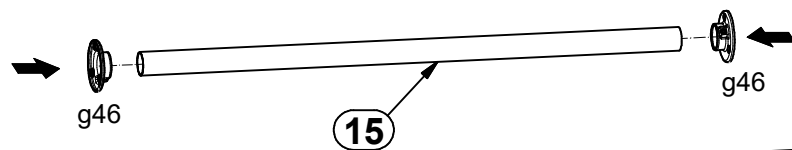
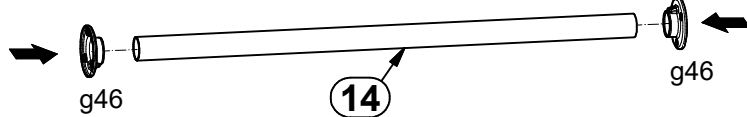
4 §6



5 §6



6



7 §6

