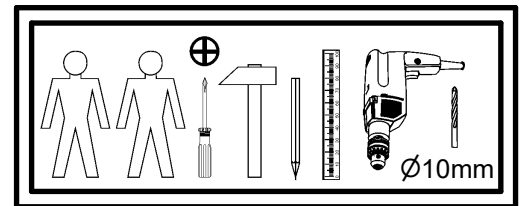
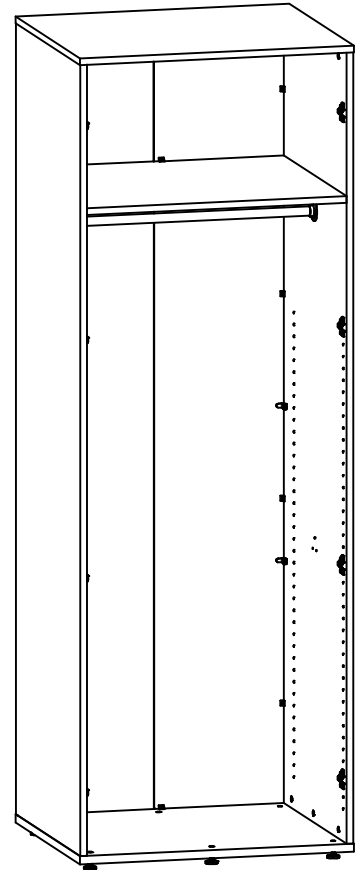
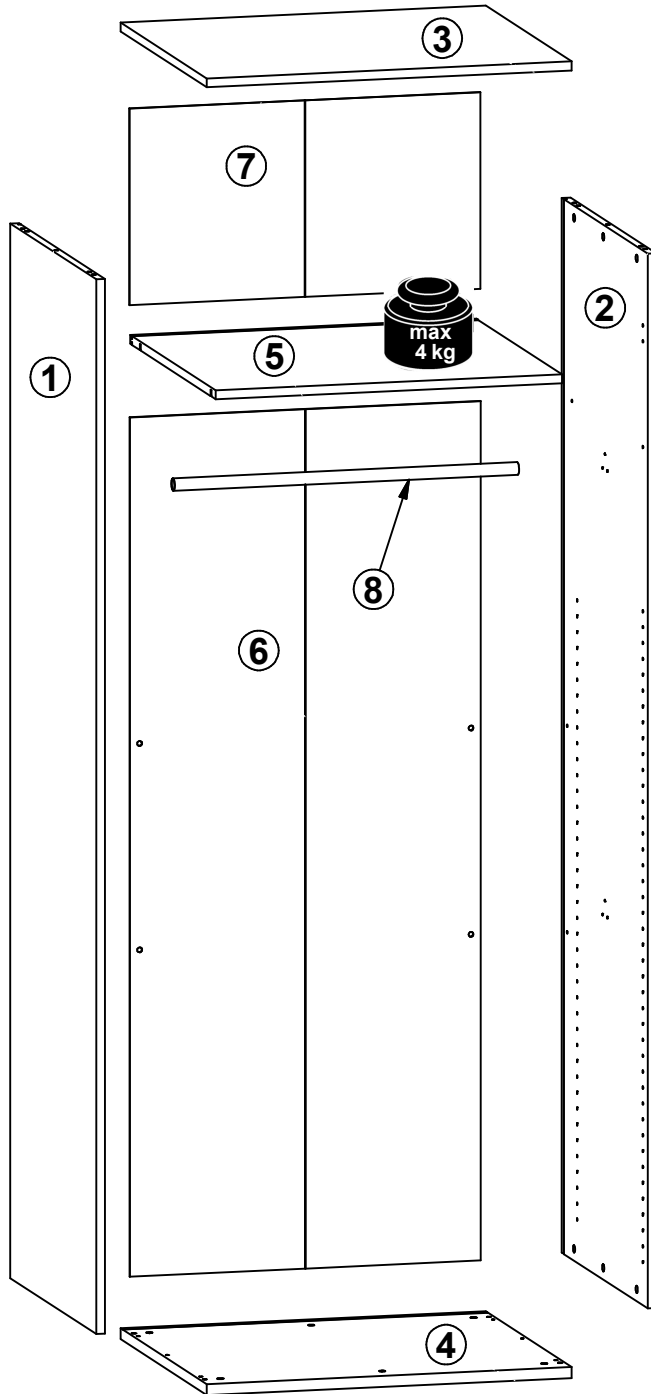
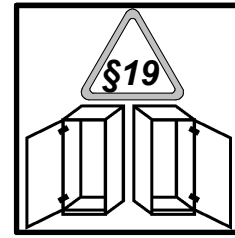
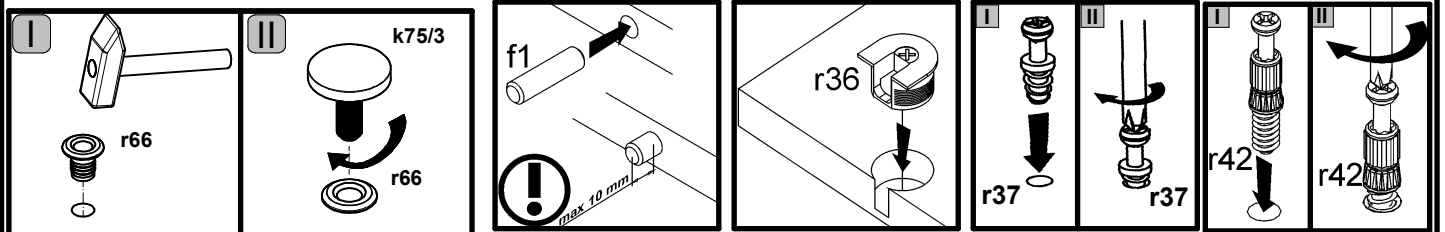
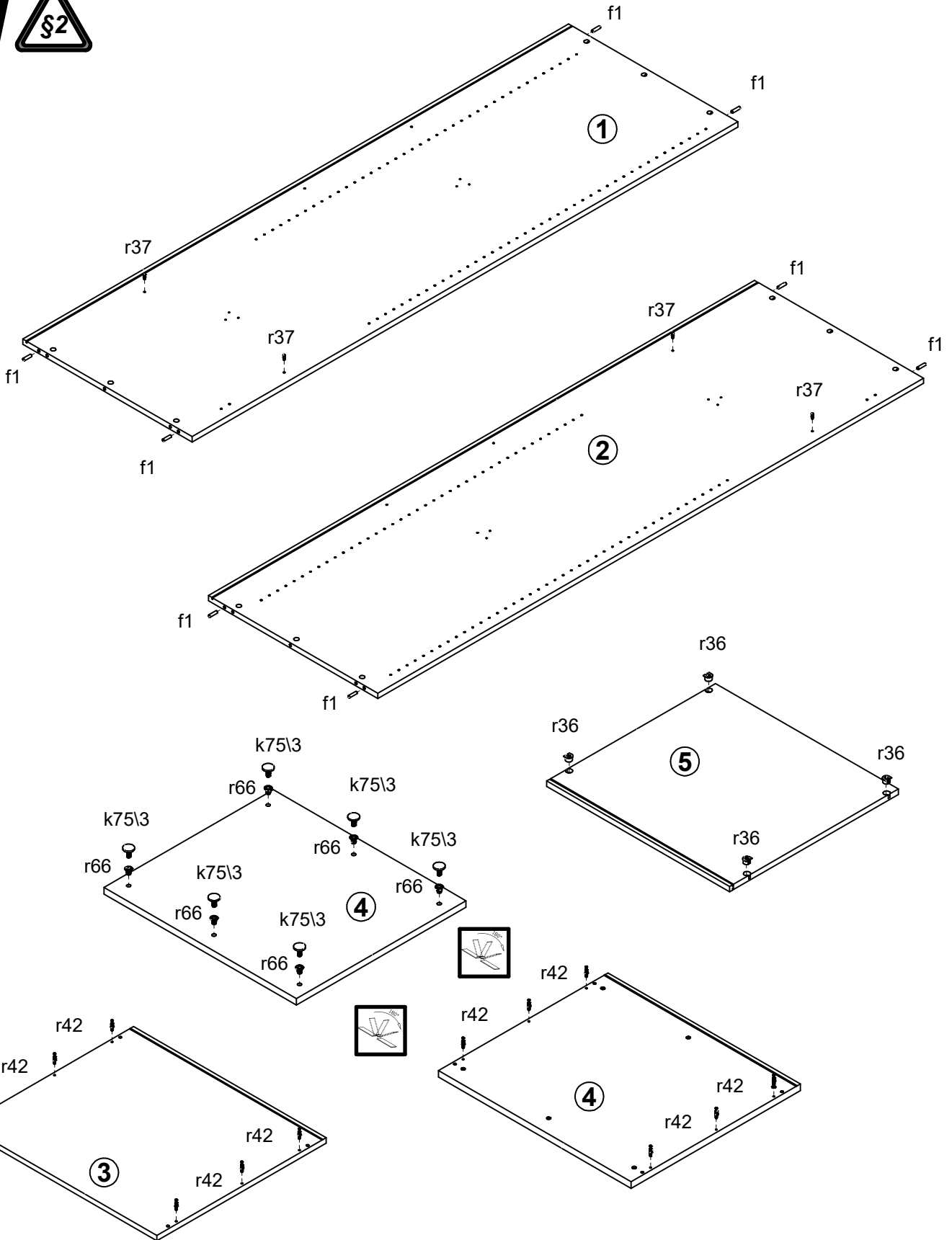


A	B	C	D
1	F57-1030	2126,	659, 1/2
2	F57-1031	2126,	659, 1/2
3	F57-2038	750	660 2/2
4	F57-2039	750	660 2/2
5	F57-3051	712	658 2/2
6	F57-9312	1732	721 1/2
7	F57-9318	396	721 1/2
8	g47/27	708,	0 2/2



8x K0: Ø35 a204	8x Ø2 b90	4x d20	6x Ø6x13 mm e3	4x Ø6,3x10 mm e50	8x Ø8x30 mm f1	2x g46	6x 32 mm k75/3	12x l2
16x Ø3,5x15 mm p51	12x Ø15x12 mm #16 r1	4x Ø20x12 mm #16 r36	4x 6,7/7,8 r37	12x 20/11 r42	6x Ø12xM10x17mm r66	12x Ø16 s2	6x Ø12x4 mm s41	1x 4 mm z15
1x 3 mm z22					1x 88x21x15/1,5 n14/2	2x Ø3,5x16 mm p38	1x Ø5x60 mm p17	1x Ø10x50 mm f35

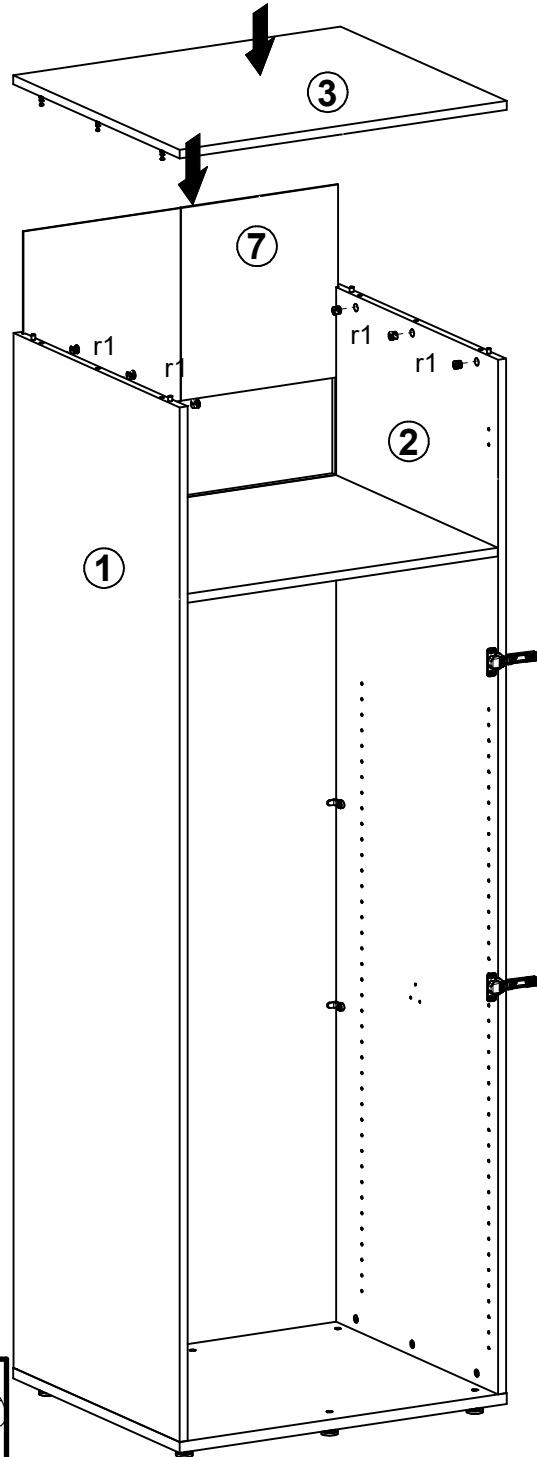
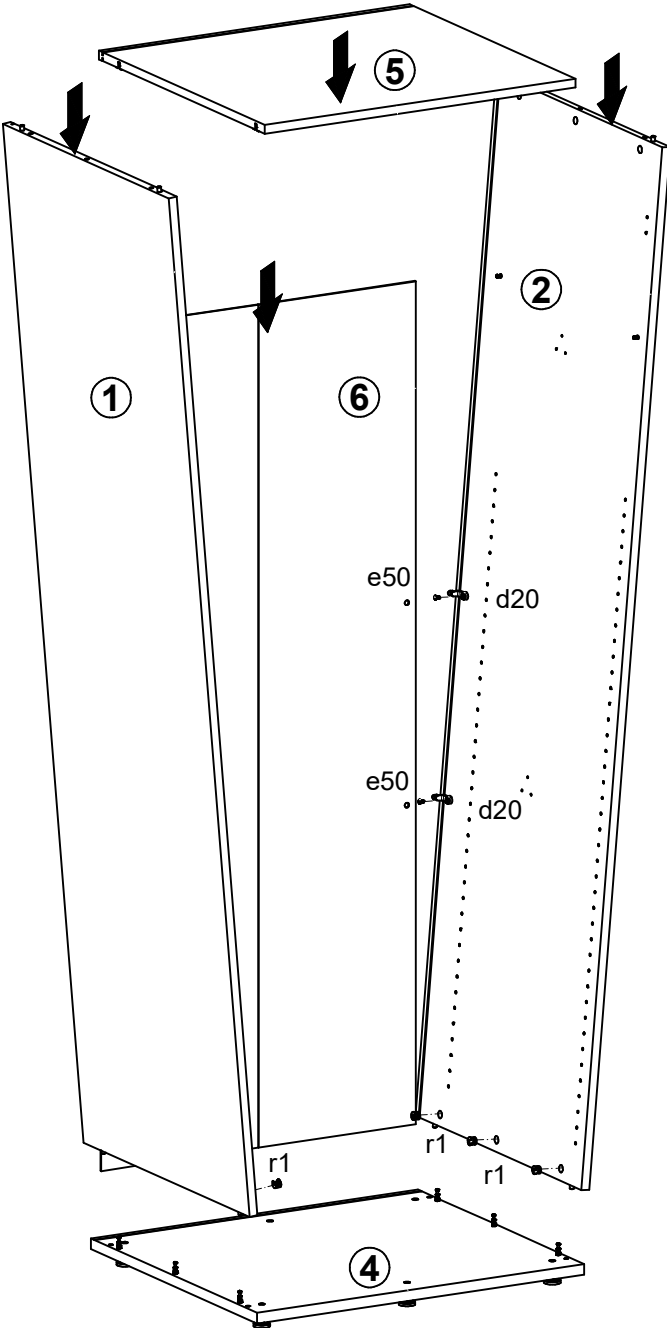
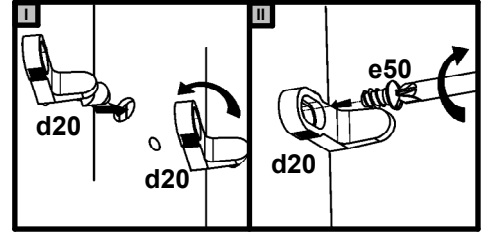
1 §2



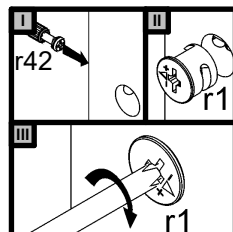
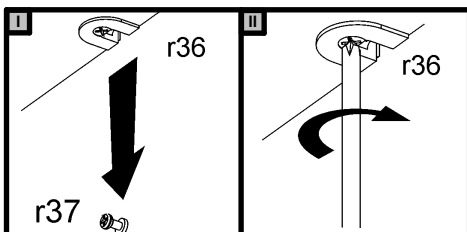
2



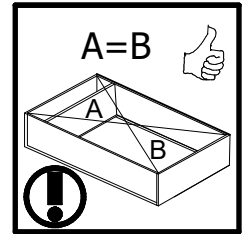
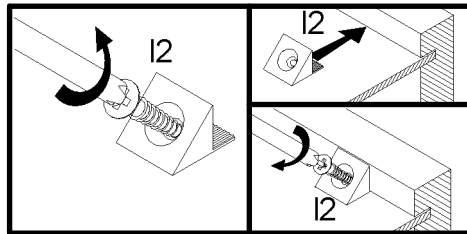
I



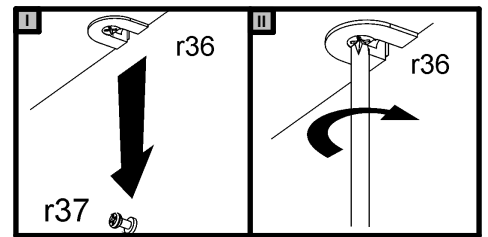
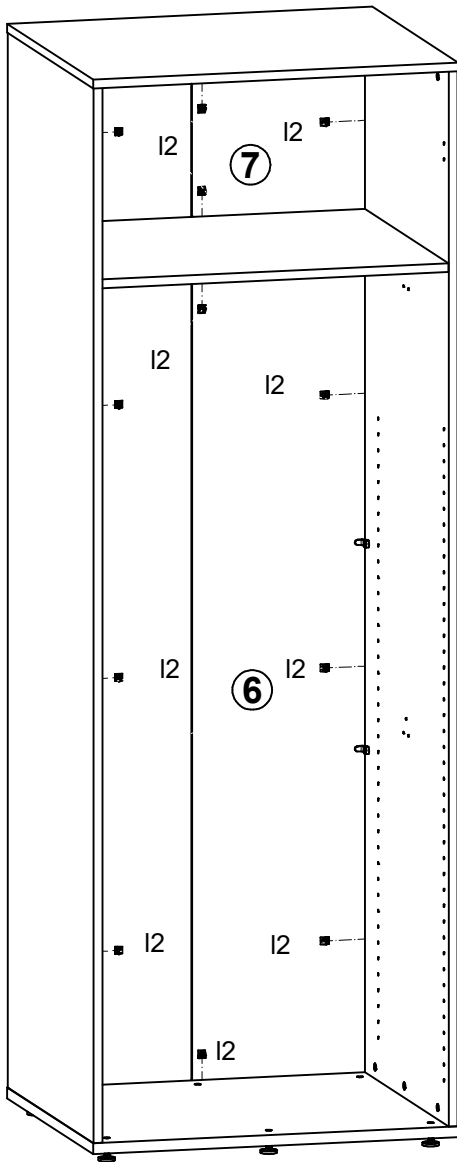
II



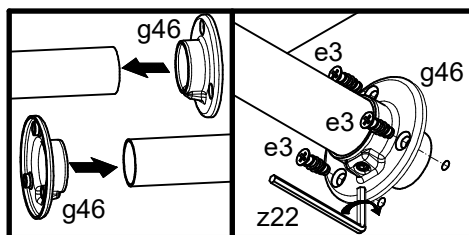
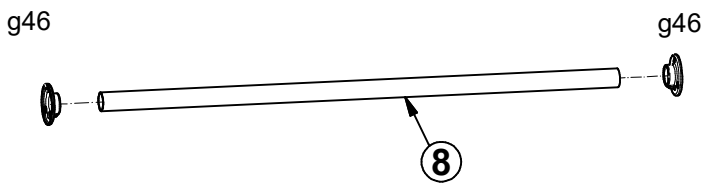
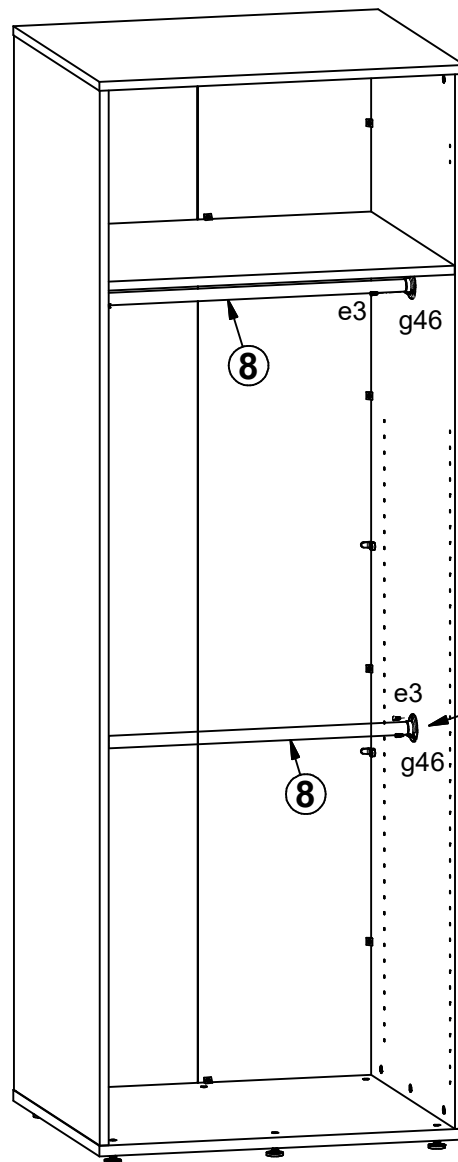
3



I



II





4

