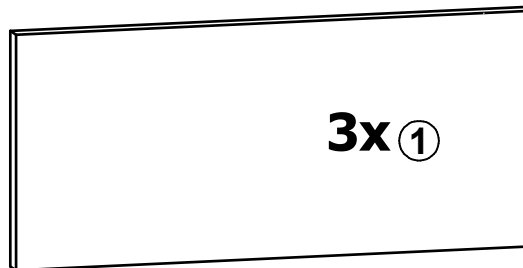
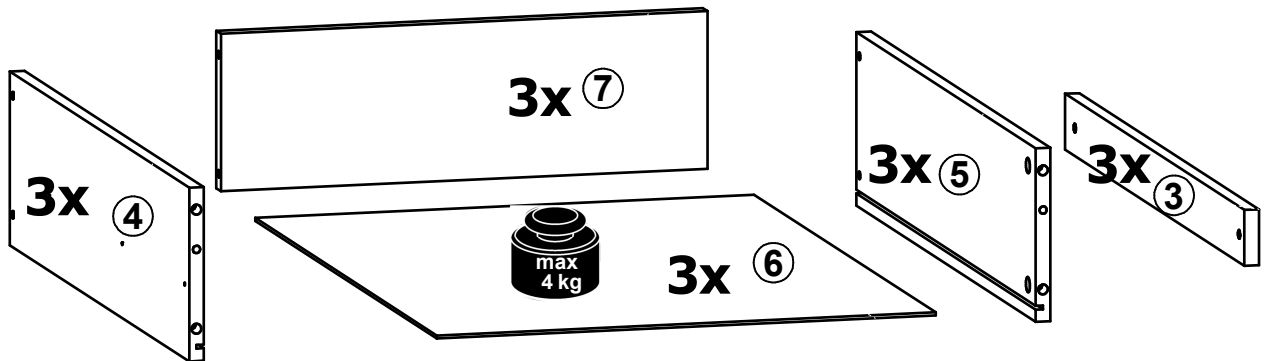
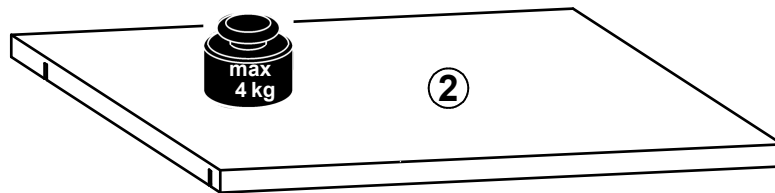
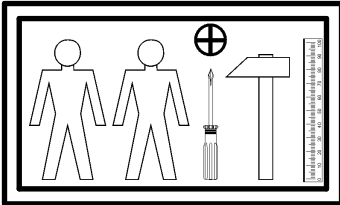
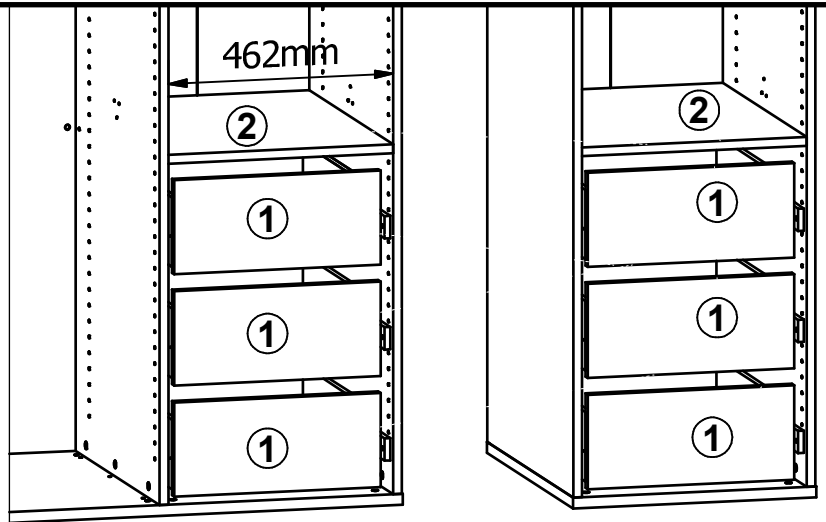


**A**

**FLEX**

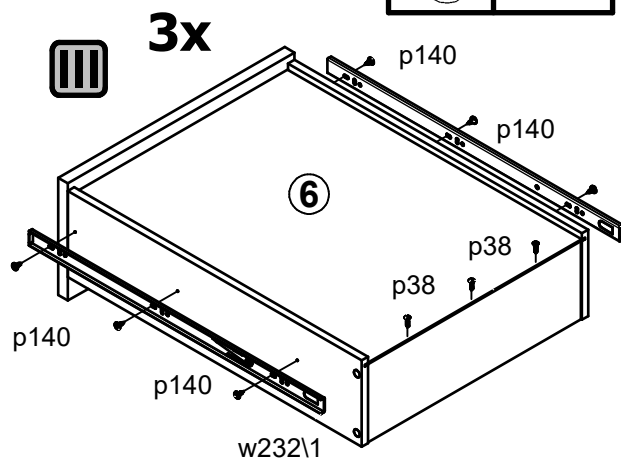
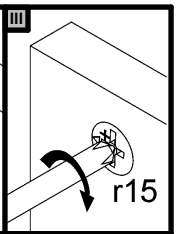
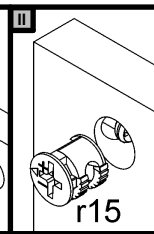
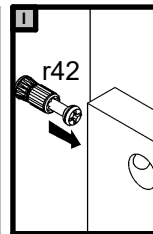
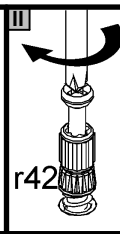
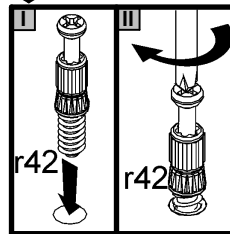
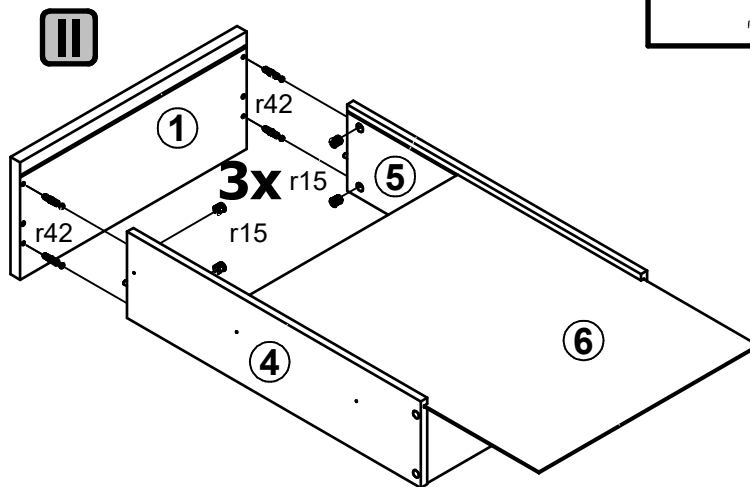
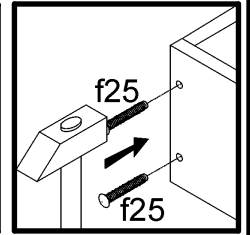
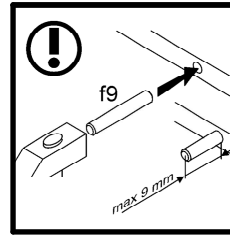
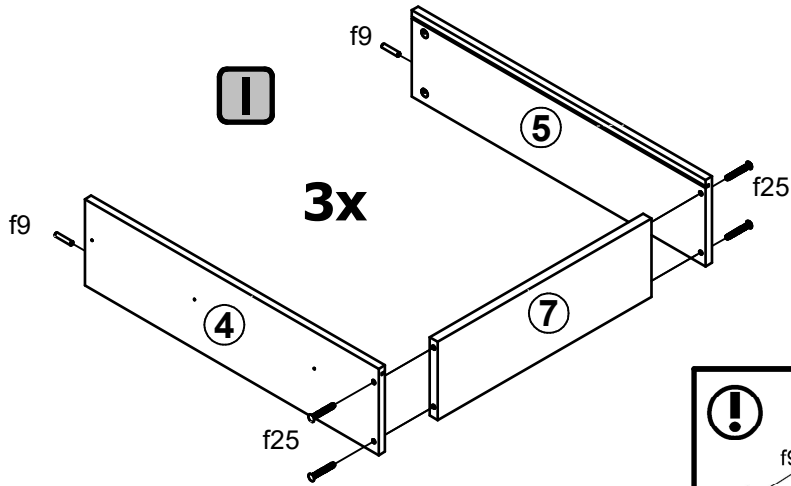
**F57-SZU3S/46/66**

A	B	C	D
1	F57-0137	424	190 1/1
2	F57-3081	462	642 1/1
3	F57-4008	550	45 1/1
4	F57-5014	550	140 1/1
5	F57-5015	550	140 1/1
6	F57-9032	410	557 1/1
7	ZK3-5054	400	127 1/1



6x Ø6x28 mm <b>e25</b>	6x Ø6x13 mm <b>e3</b>	12x Ø6.5x40 mm <b>f25</b>	6x Ø6x30 mm <b>f9</b>	18x Ø3.5x12 mm <b>p140</b>	9x Ø3.5x16 mm <b>p38</b>	12x Ø12x10.5 mm #12 <b>r15</b>	4x Ø20x12 mm #16 <b>r36</b>	4x 6,7/7,8 <b>r37</b>	
12x 20/11 <b>r42</b>	6x <b>w232/1</b>	6x L-550 mm <b>w232/2</b>							

1 



w232/1

