

A

FLEX

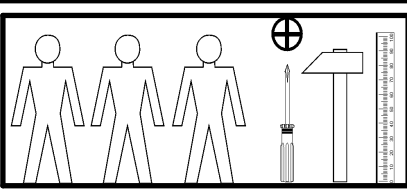
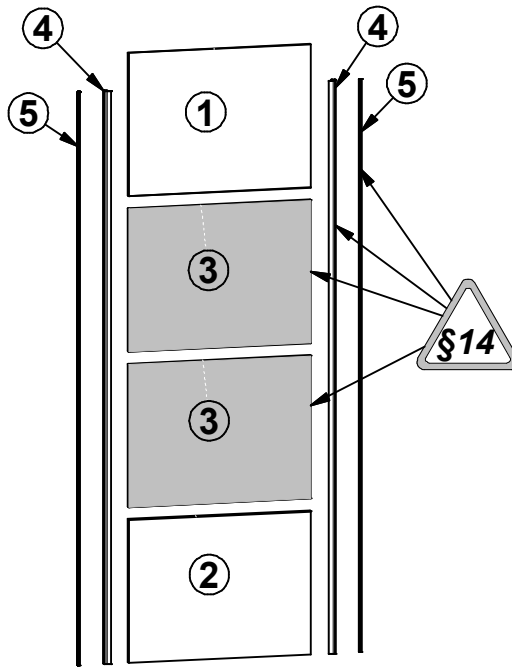
F57-FRN-150/240/Z

A	B	C	D
1	F57-0004	748	577
2	F57-0006	748	577



3		748	577
---	--	-----	-----

4	w108\2	2310	-	1/2
5	Eg-sp_2310	2310	-	2/2



2x M5x8 mm j80	6x 90x50\1,5 mm n148	2x n153	2x n154\1	2x n154\2		2x 2310 mm w108\2
1x 2 mm z27	2x i56	16x Ø3,5x13 mm p27	24x Ø4x13 mm p93	10x Ø2,5x13 mm p15		2x EG-sp_2310

1

2

