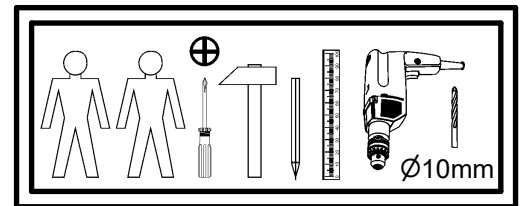
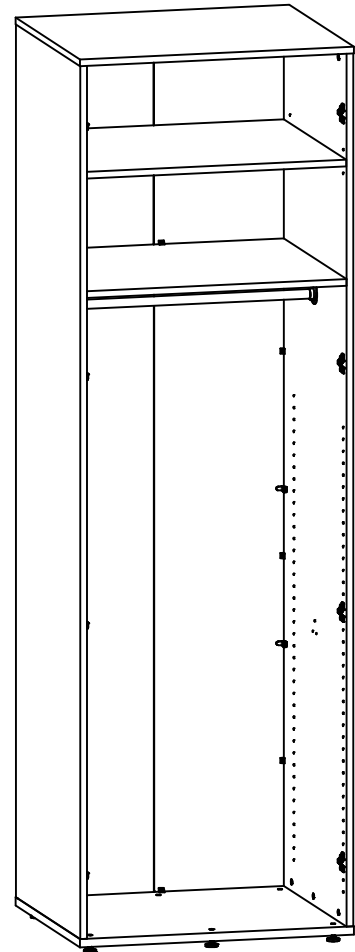
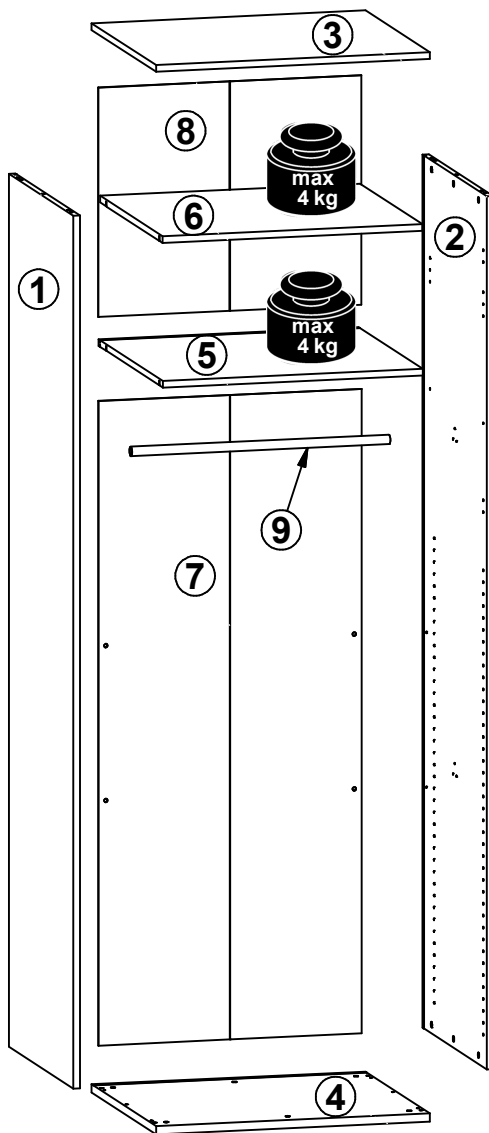
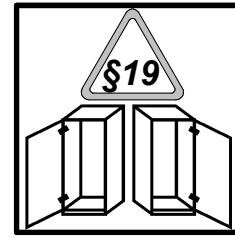
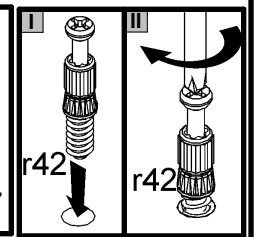
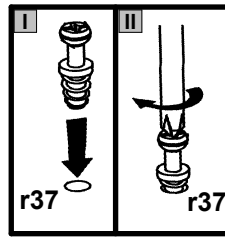
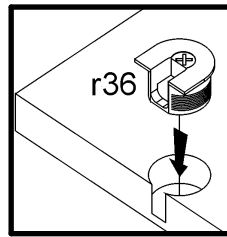
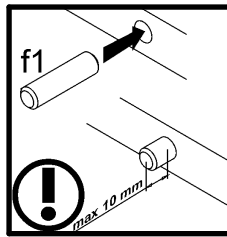
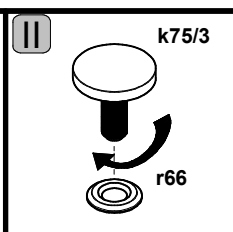
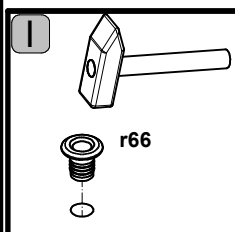
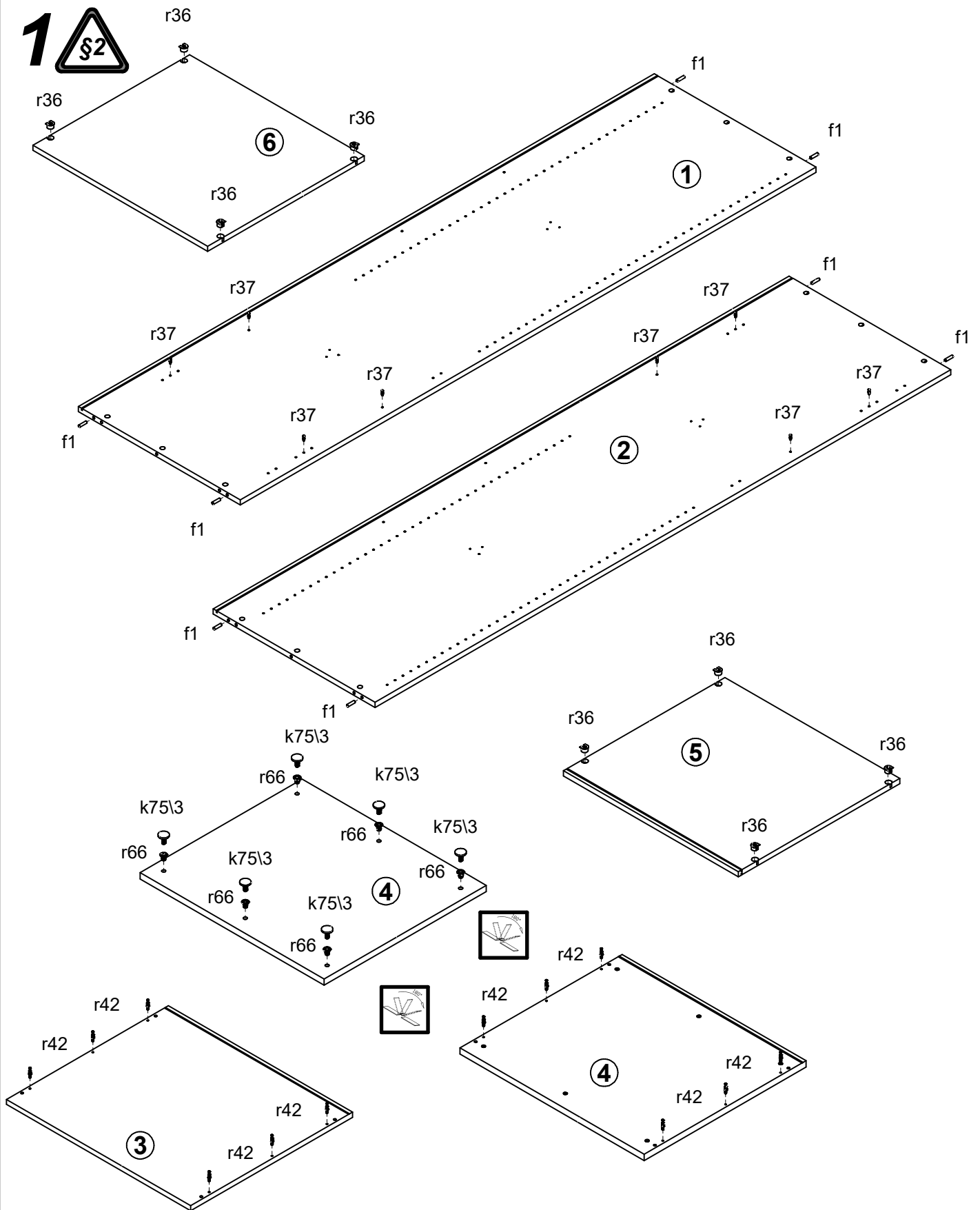


A	B	C	D
1	F57-1028	2346,	659, 1/2
2	F57-1029	2346,	659, 1/2
3	F57-2038	750	660 2/2
4	F57-2039	750	660 2/2
5	F57-3051	712	658 2/2
6	F57-3052	712	638 2/2
7	F57-9312	1732	721 1/2
8	F57-9317	616	721 1/2
9	g47/27	708,	0 2/2

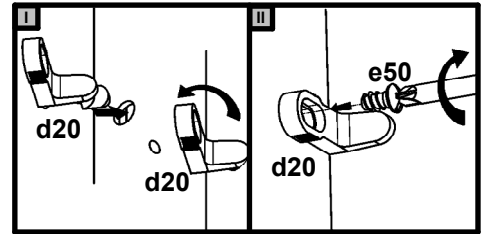


8x  a204	8x  b90	4x  d20	6x  e3 Ø6x13 mm	4x  e50 Ø6,3x10 mm	8x  f1 Ø8x30 mm	2x  g46	6x  k75/3 32 mm	12x  l2
16x  p51 Ø3,5x15 mm	12x  r1 Ø15x12 mm #16	8x  r36 Ø20x12 mm #16	8x  r37 6,7/7,8	12x  r42 20/13	6x  r66 Ø12xM10x17mm	12x  s2 Ø16	6x  s41 Ø12x4 mm	1x  z15 4 mm
1x  z22 3 mm					1x  n14/2 88x21x15/1,5	2x  p38 Ø3,5x16 mm	1x  p17 Ø5x60 mm	1x  f35 Ø10x50 mm

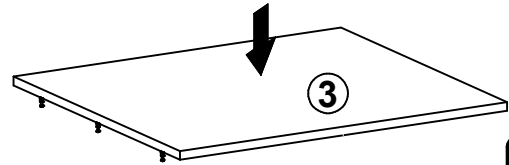
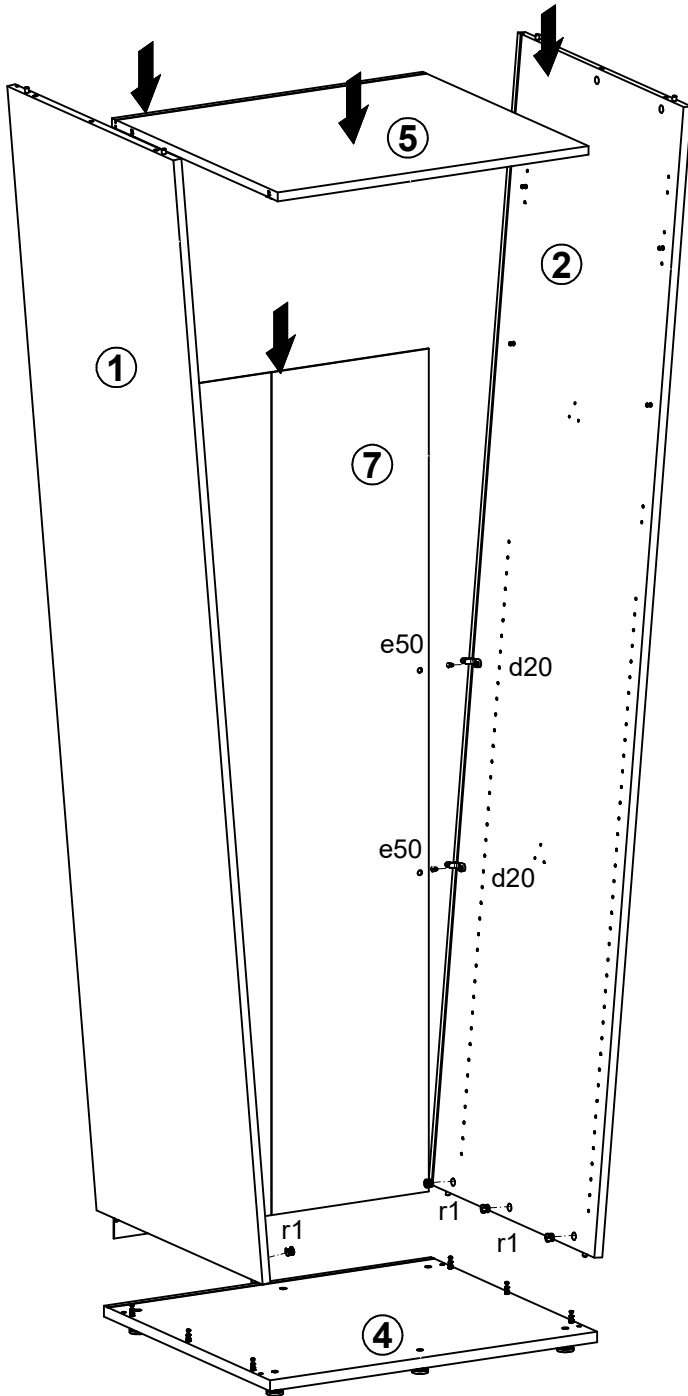
1 



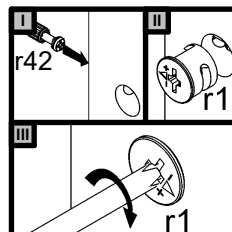
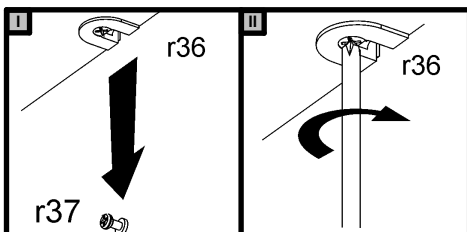
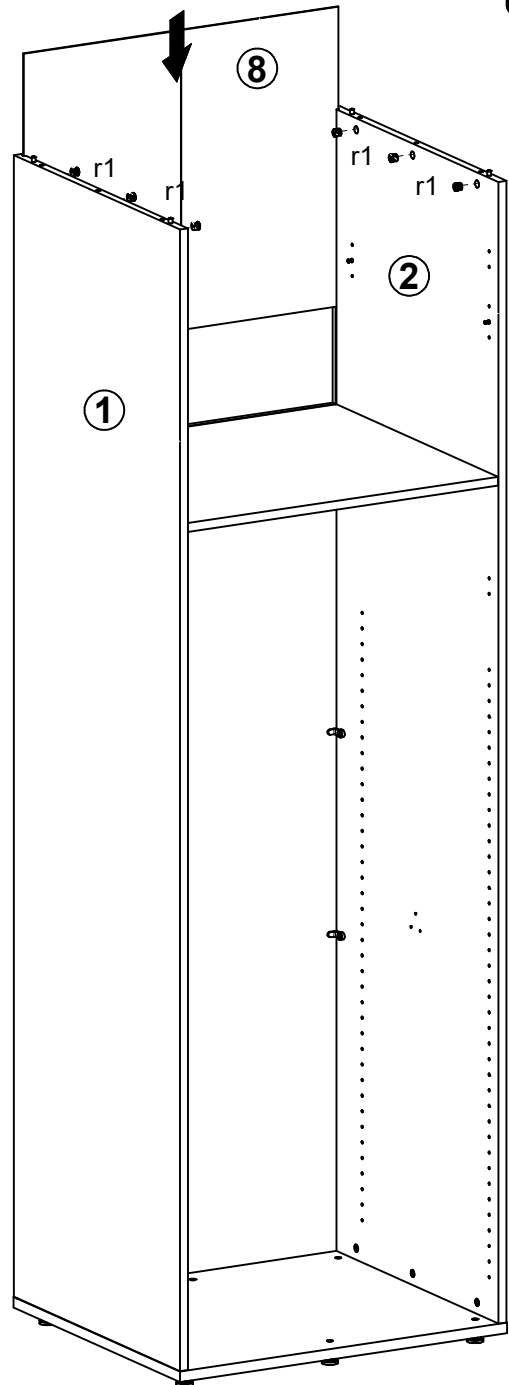
# 2



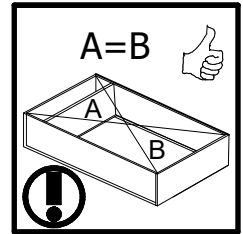
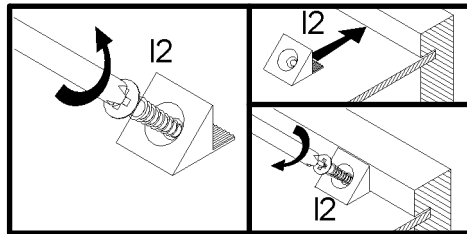
## I



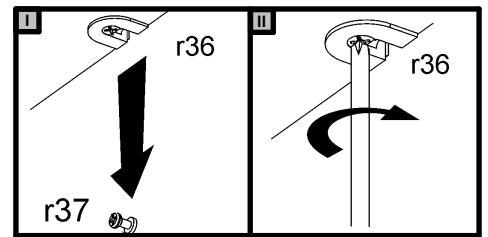
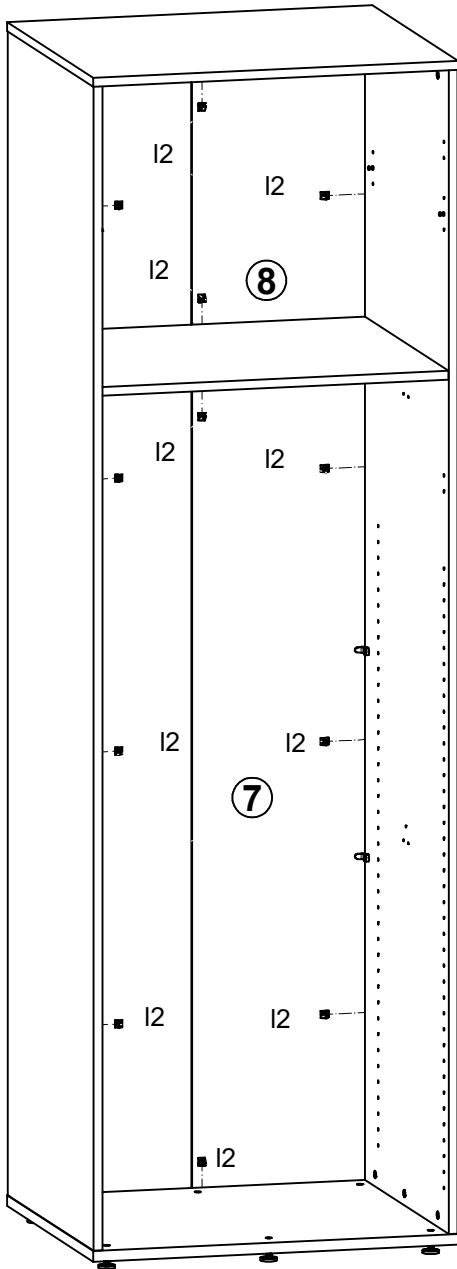
## II



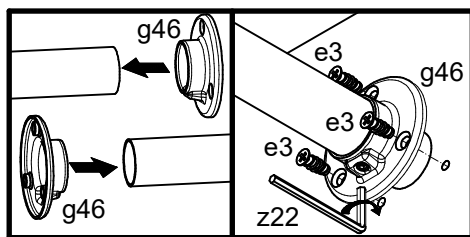
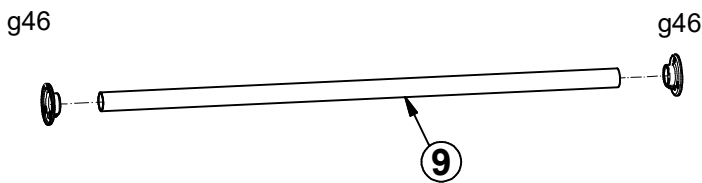
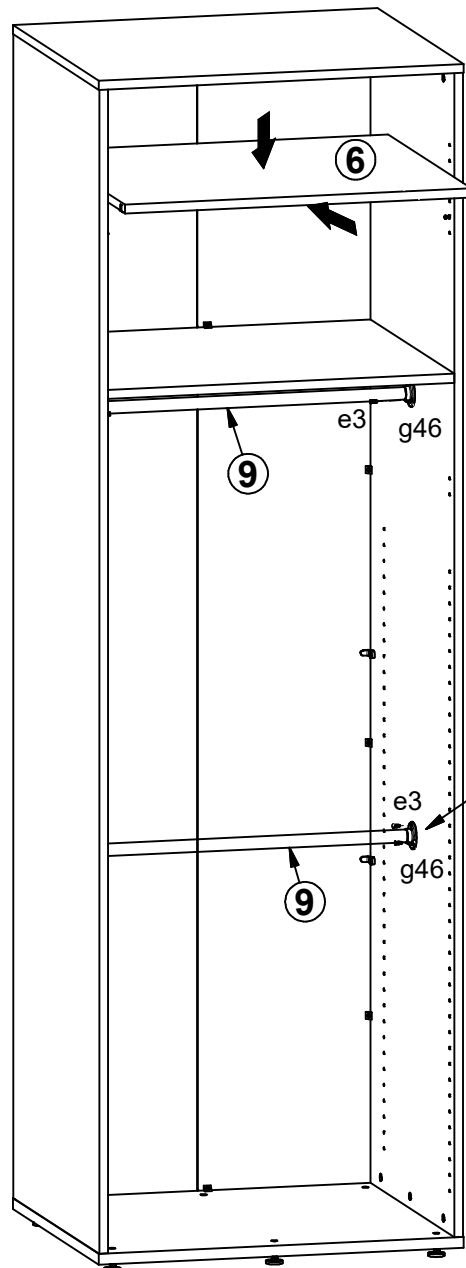
# 3



I



II





# 4

