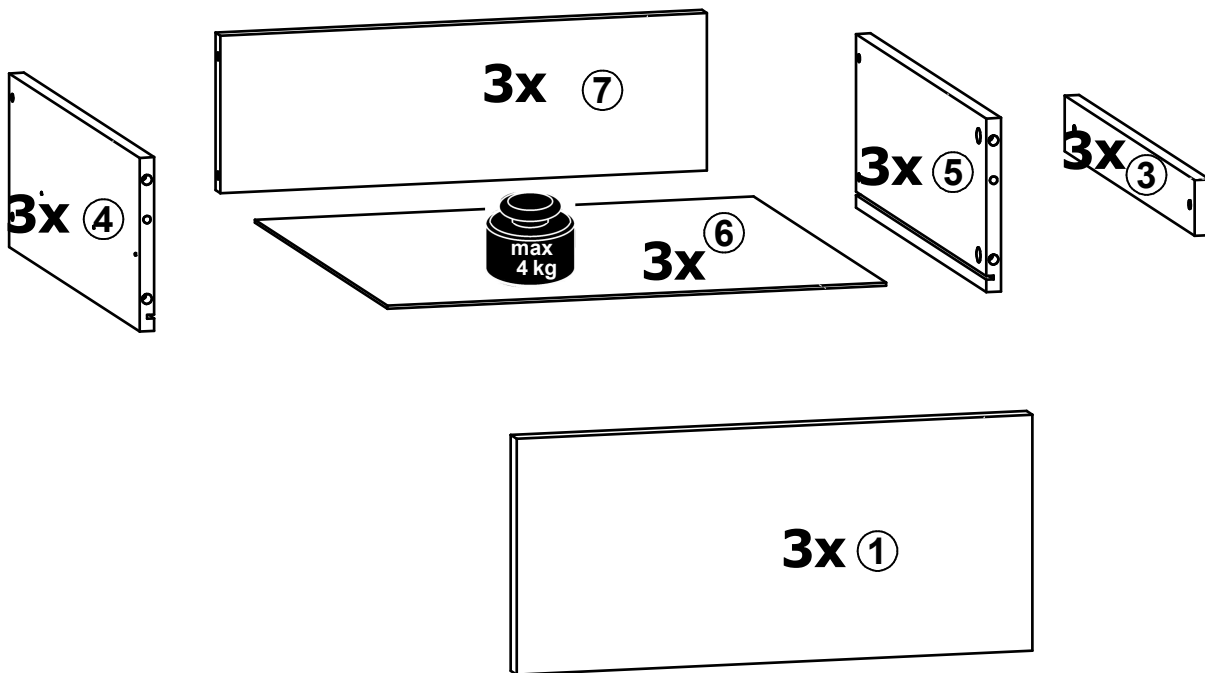
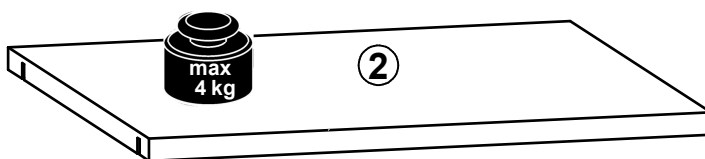
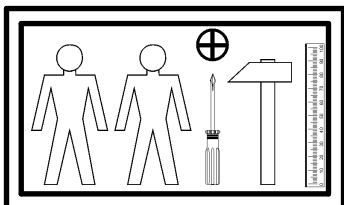
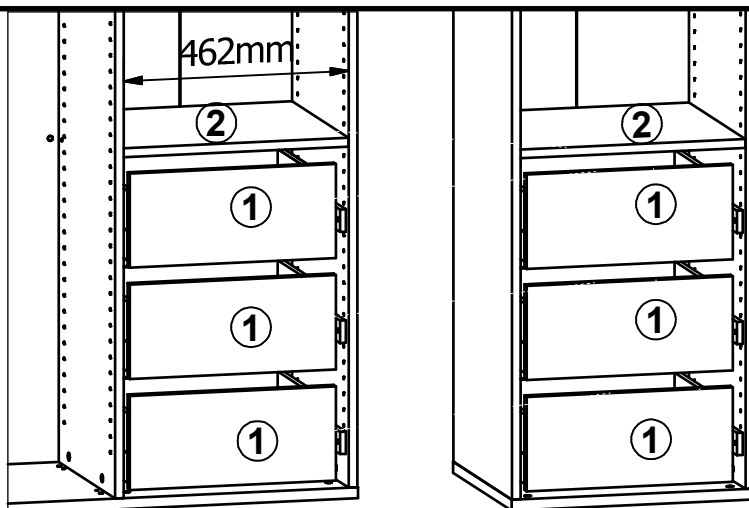


# A

# FLEX

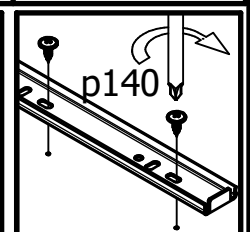
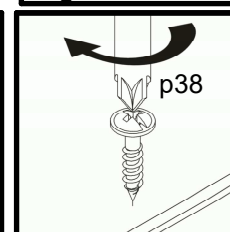
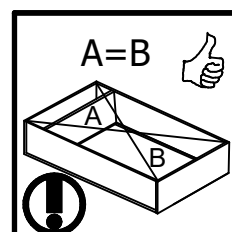
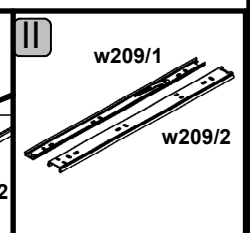
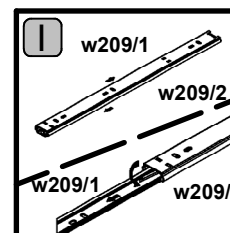
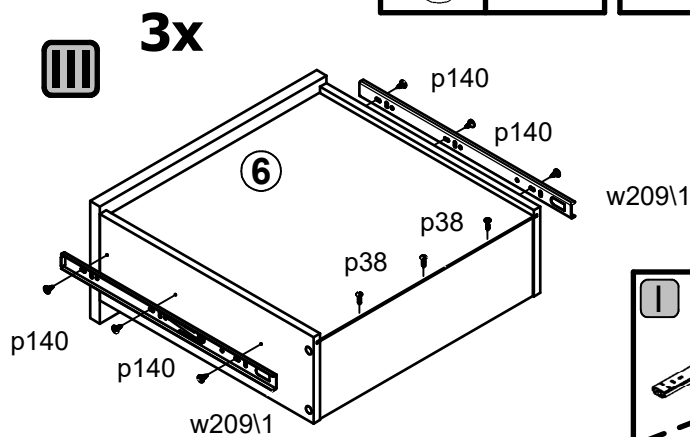
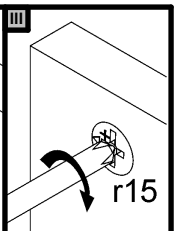
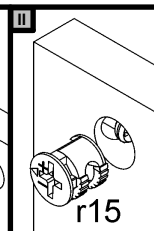
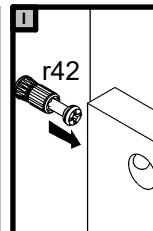
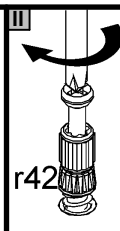
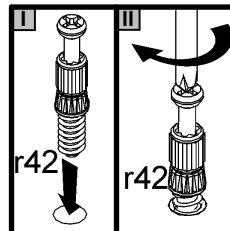
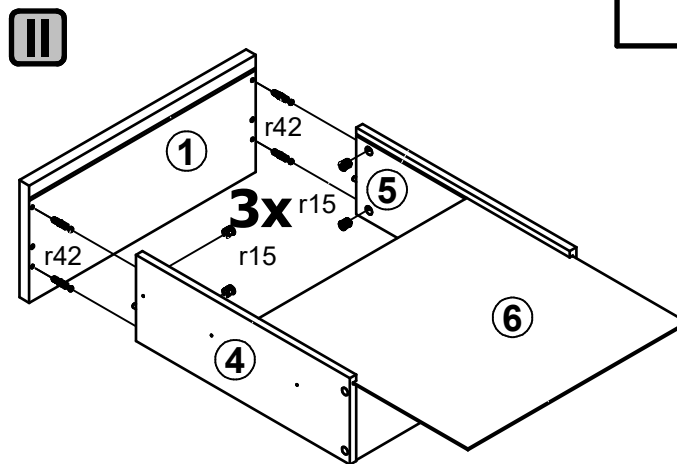
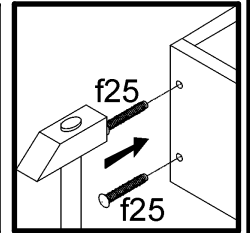
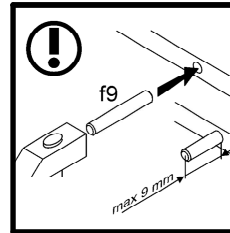
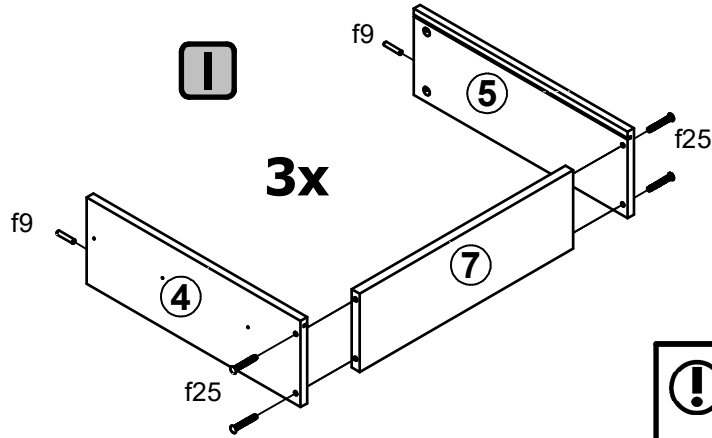
# F57-SZU3S/46/45

A	B	C	D
1	F57-0137	424	190
2	F57-3080	462	432
3	F57-4009	400	45
4	F57-5016	400	140
5	F57-5017	400	140
6	F57-9033	410	407
7	ZK3-5054	400	127

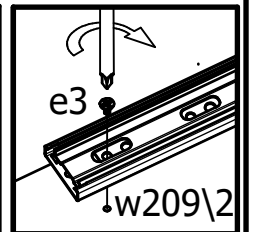
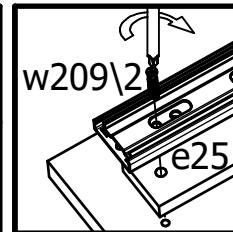
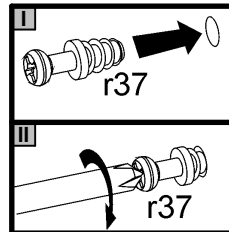
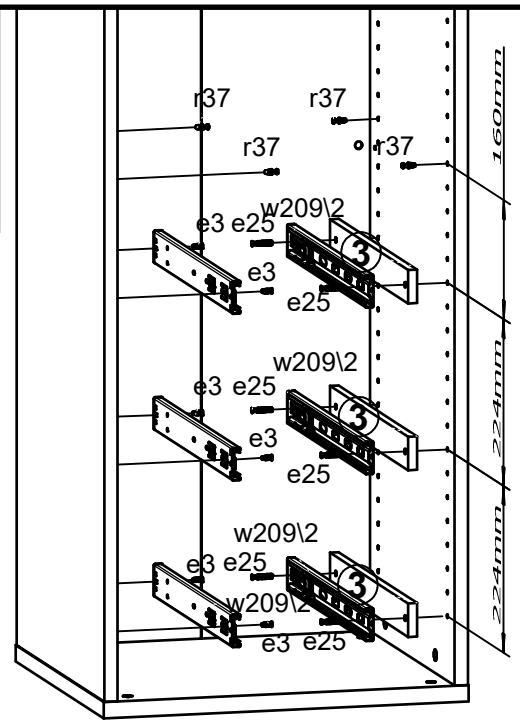
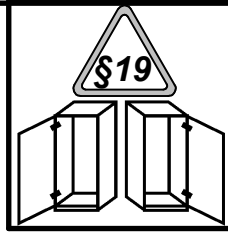
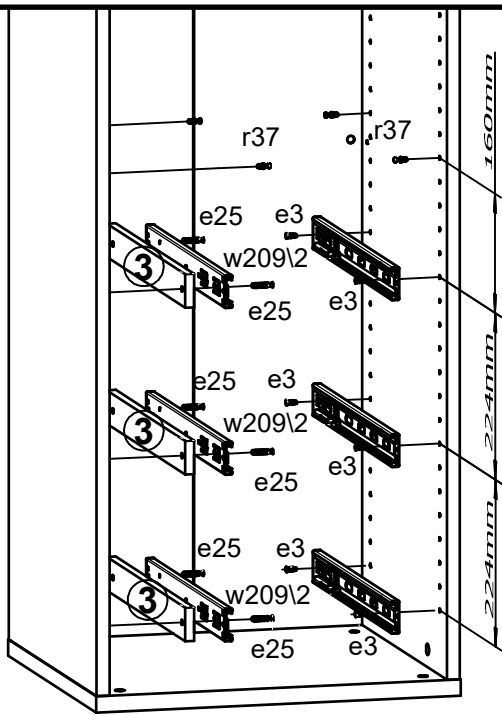


6x Ø6x28 mm e25	6x Ø6x13 mm e3	12x Ø6.5x40 mm f25	6x Ø6x30 mm f9	18x Ø3.5x12 mm p140	9x Ø3.5x16 mm p38	12x Ø12x10.5 mm #12 r15	4x Ø20x12 mm #16 r36	4x 6,7/7,8 r37
12x 20/11 r42	6x L-200 mm w209\1	6x L-400 mm w209\2						

1 



# 2



# 3

