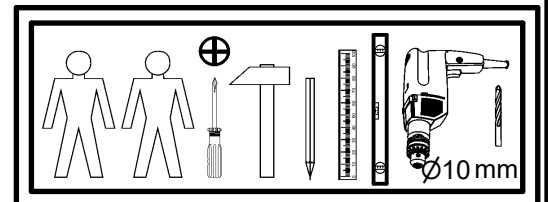
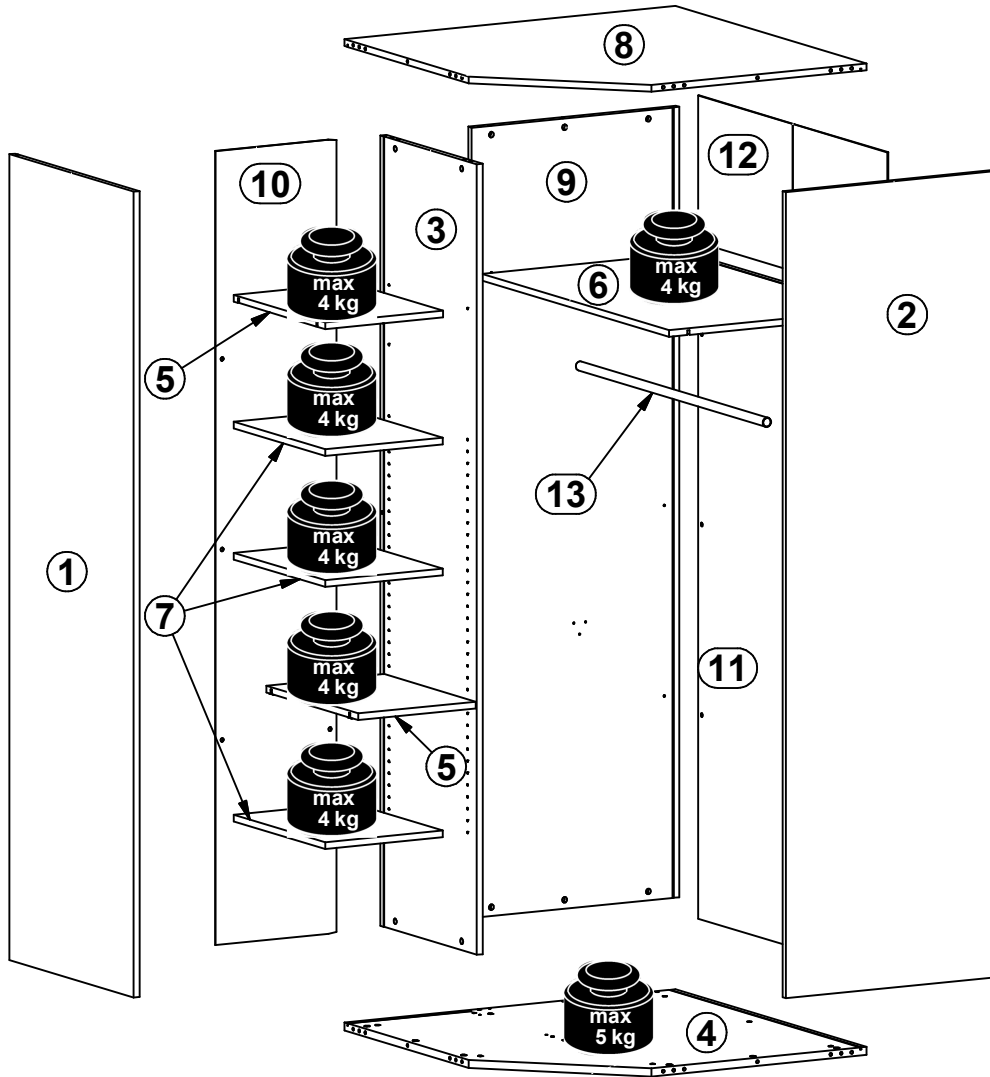
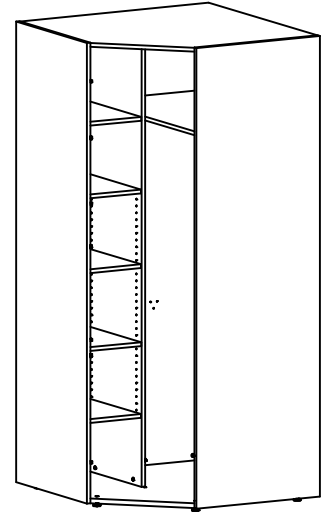
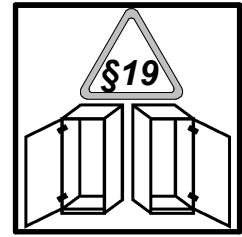
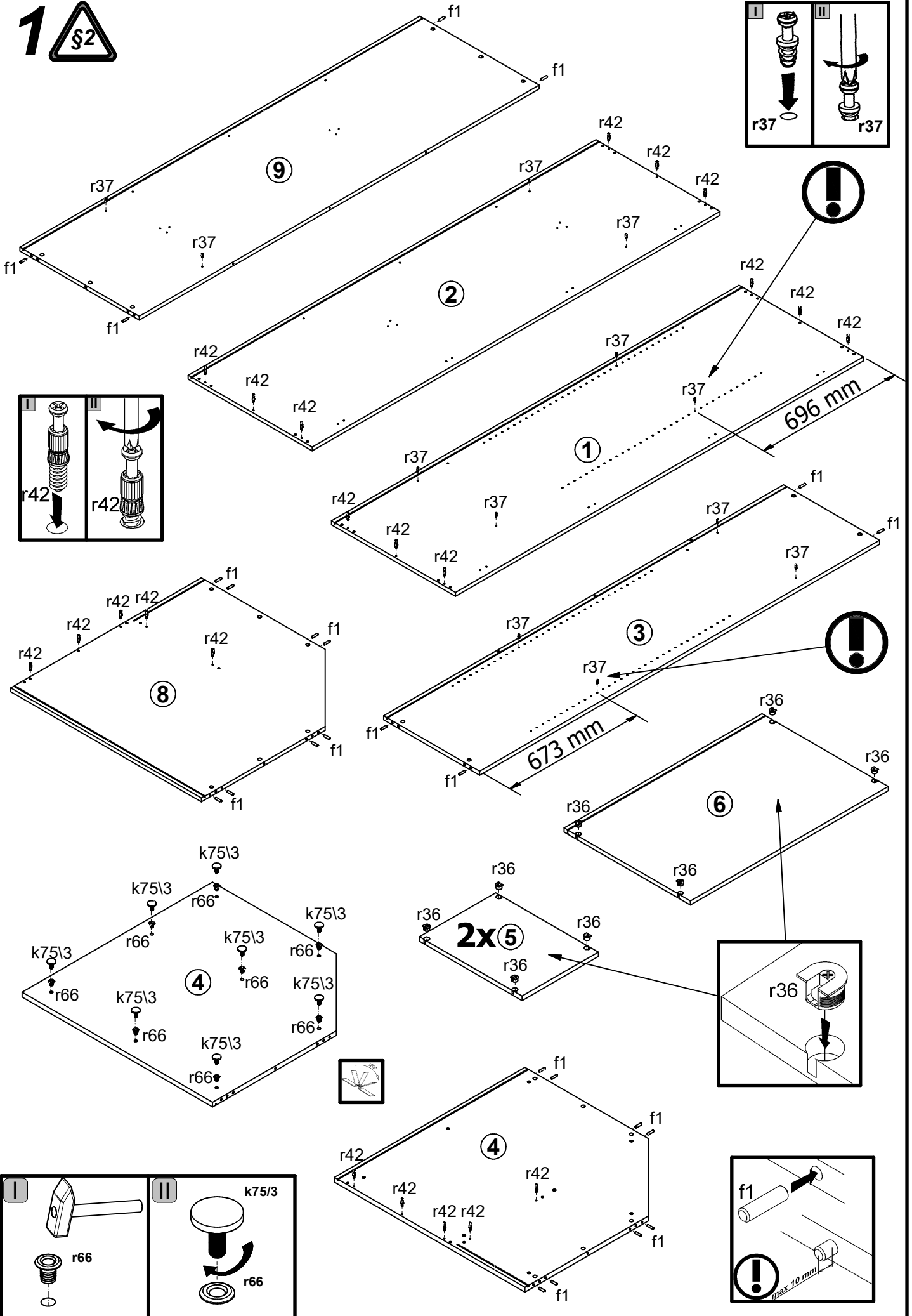
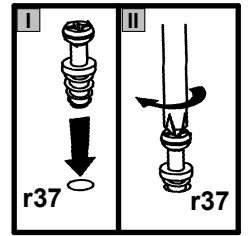


A	B	C	D	A	B	C	D		
1	F57-1039	2166	659	1/4	8	F57-3079	1012	1012	3/4
2	F57-1040	2166	659	1/4	9	F57-4011	2124	634	2/4
3	F57-1041	2124	510	2/4	10	F57-9036	2134	370	2/4
4	F57-3075	1012	1012	3/4	11	F57-9320	1731	1003	2/4
5	F57-3076	360	485	4/4	12	F57-9330	395	1003	2/4
6	F57-3077	993	633	3/4	13	g47/29	990	0	3/4
7	F57-3078	359	485	4/4					



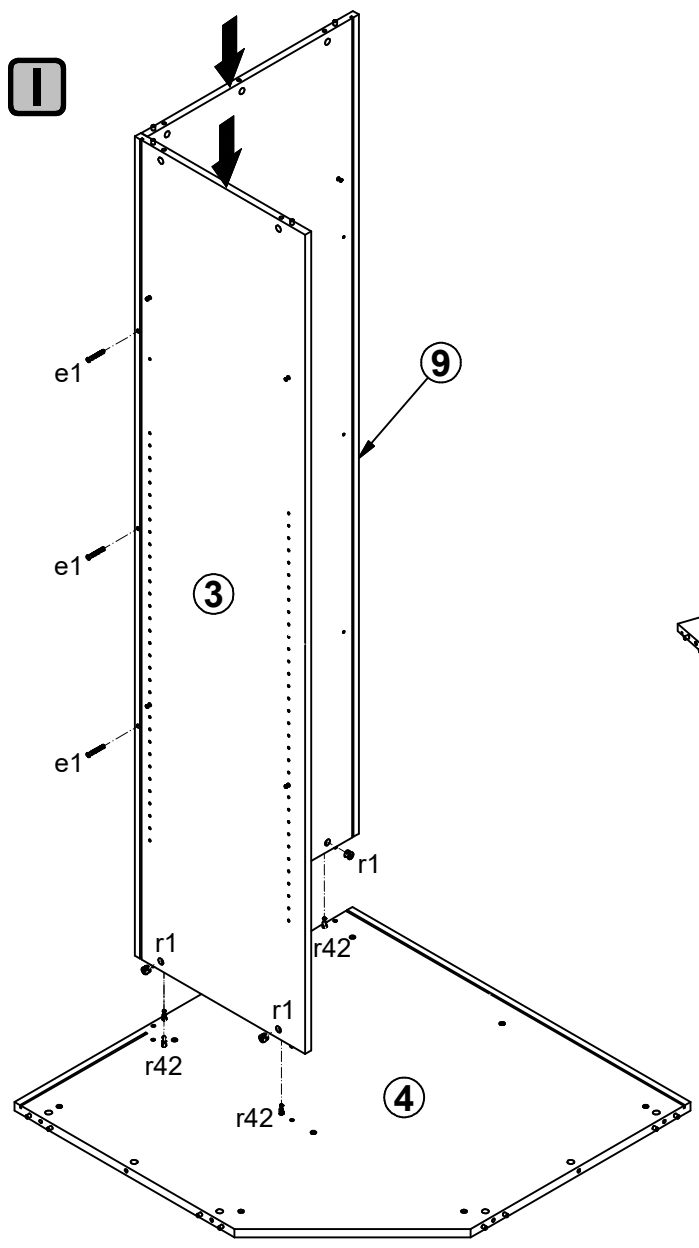
4x a10	2x a133	4x H4 b82	12x Ø5x17 mm d1	12x d20	3x Ø7x50 mm e1	6x Ø6x13 mm e3	12x Ø6,3x10 mm e50	24x Ø8x30 mm f1
2x g46	8x 32 mm k75/3	26x l2	8x Ø3,5x15 mm p51	22x Ø15x12 mm #16 r1	12x Ø20x12 mm #16 r36	12x 6,7/7,8 r37	22x 20/11 r42	8x Ø12xM10x17mm r66
22x Ø16 s2	8x Ø12x4 mm s41	1x 4 mm z15	1x 3 mm z22	1x 88x21x15/1,5 n14/2	2x Ø3,5x16 mm p38	1x Ø5x60 mm p17	1x Ø10x50 mm f35	

1 §2

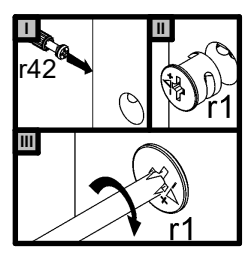
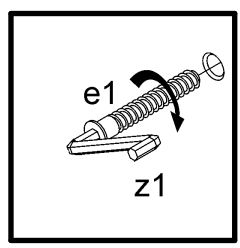
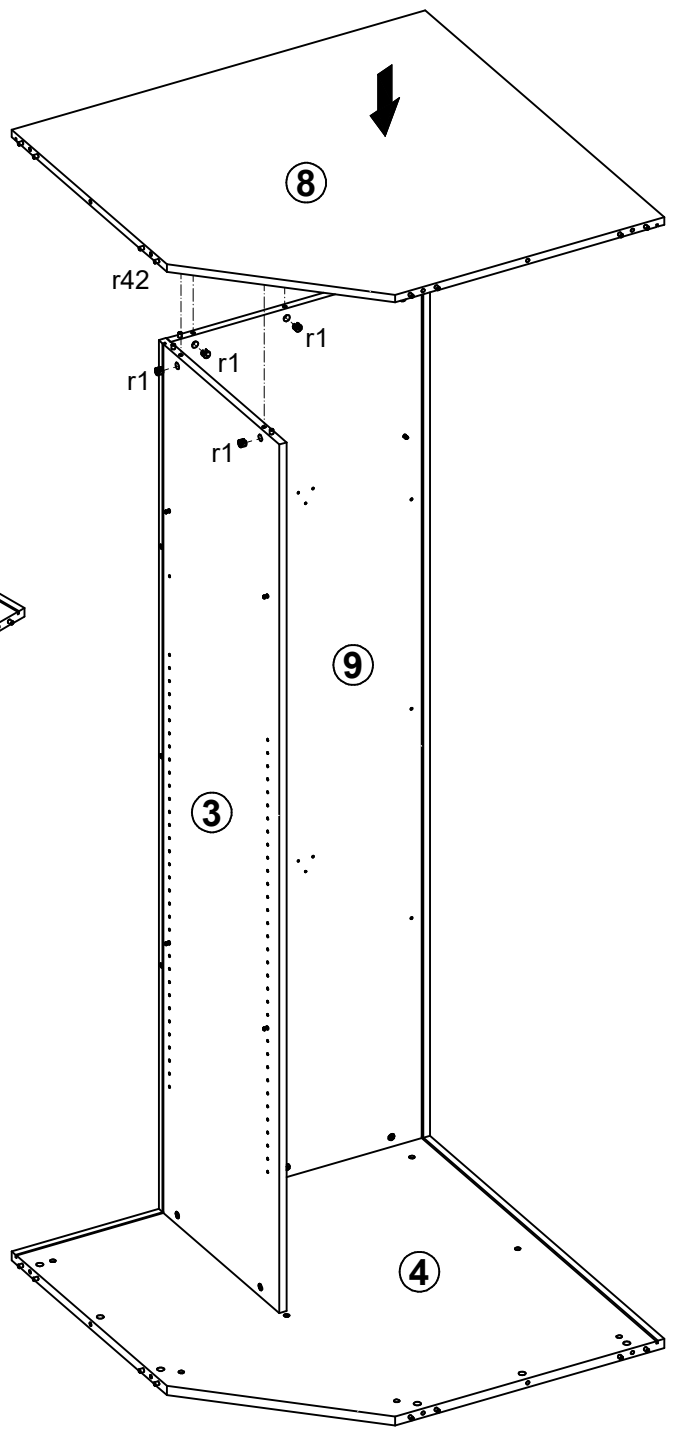


2

I

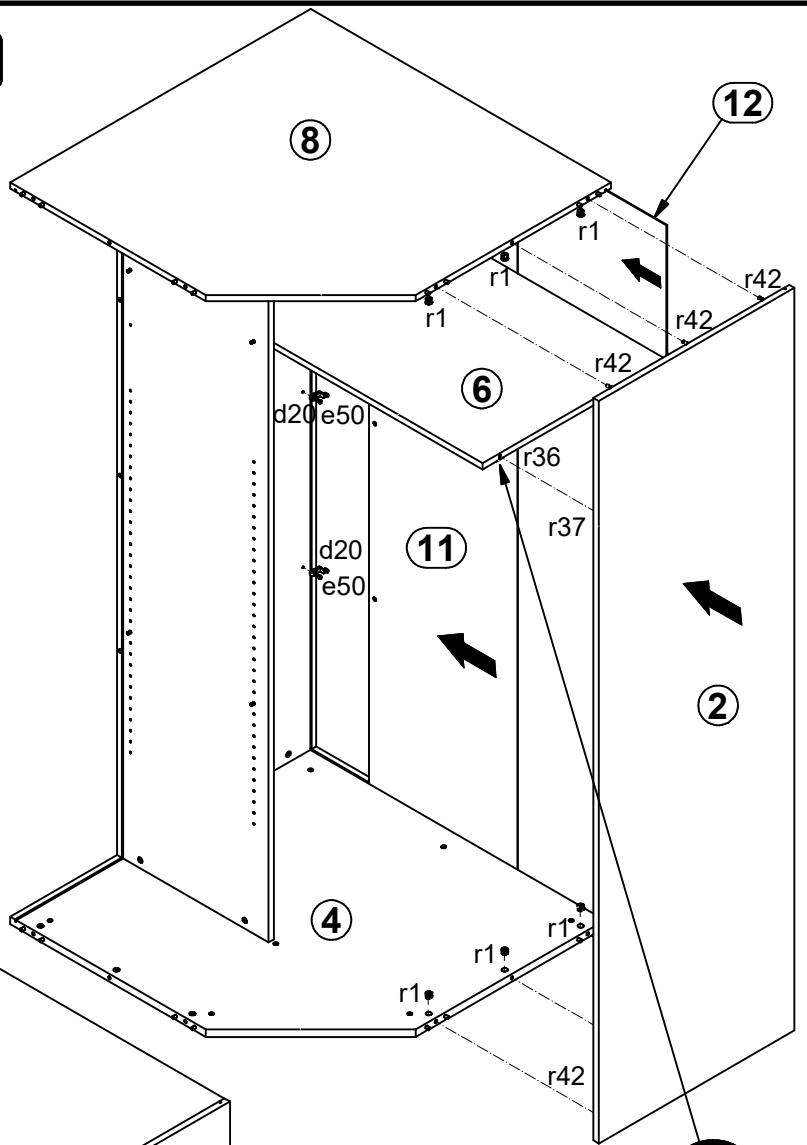
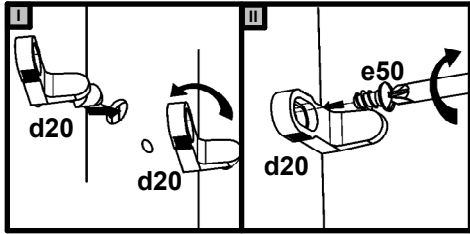


II

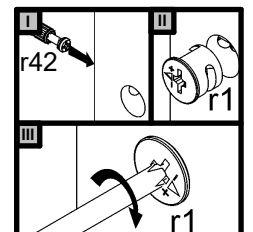
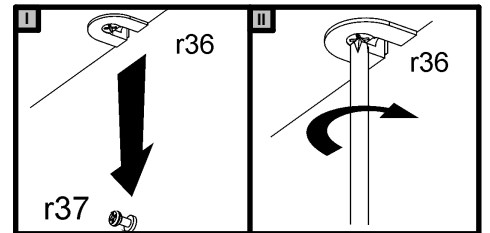
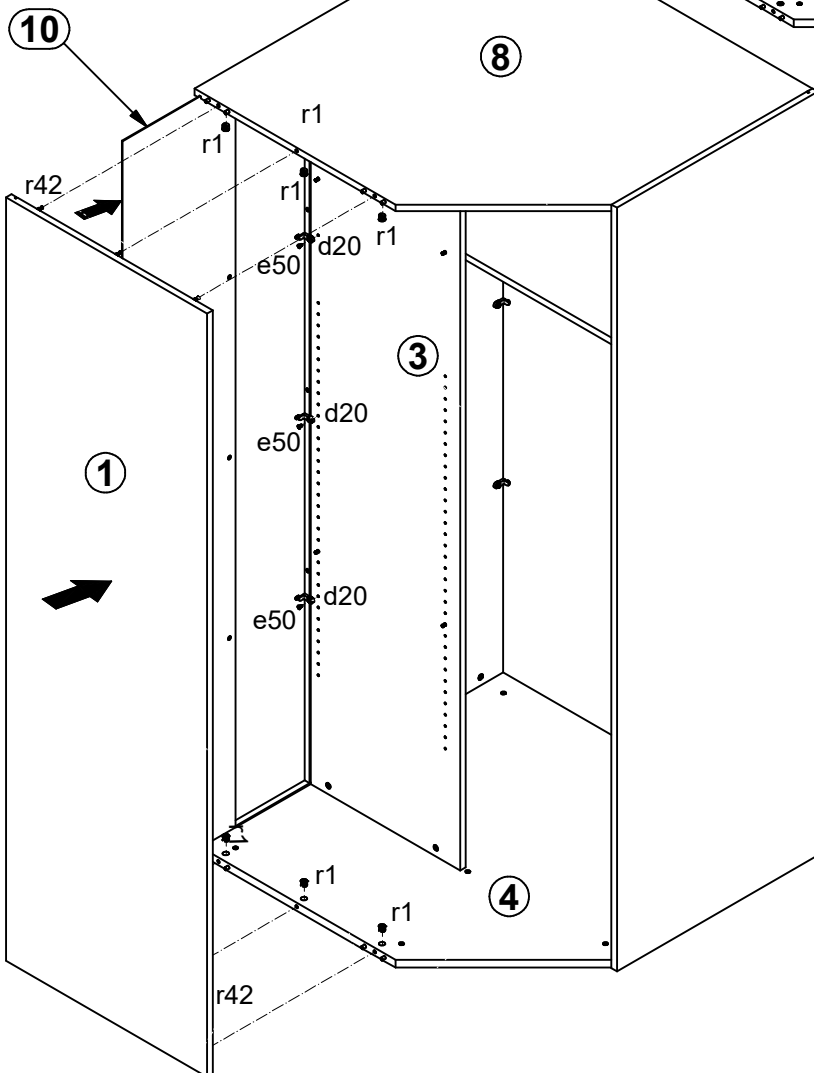


3  S6

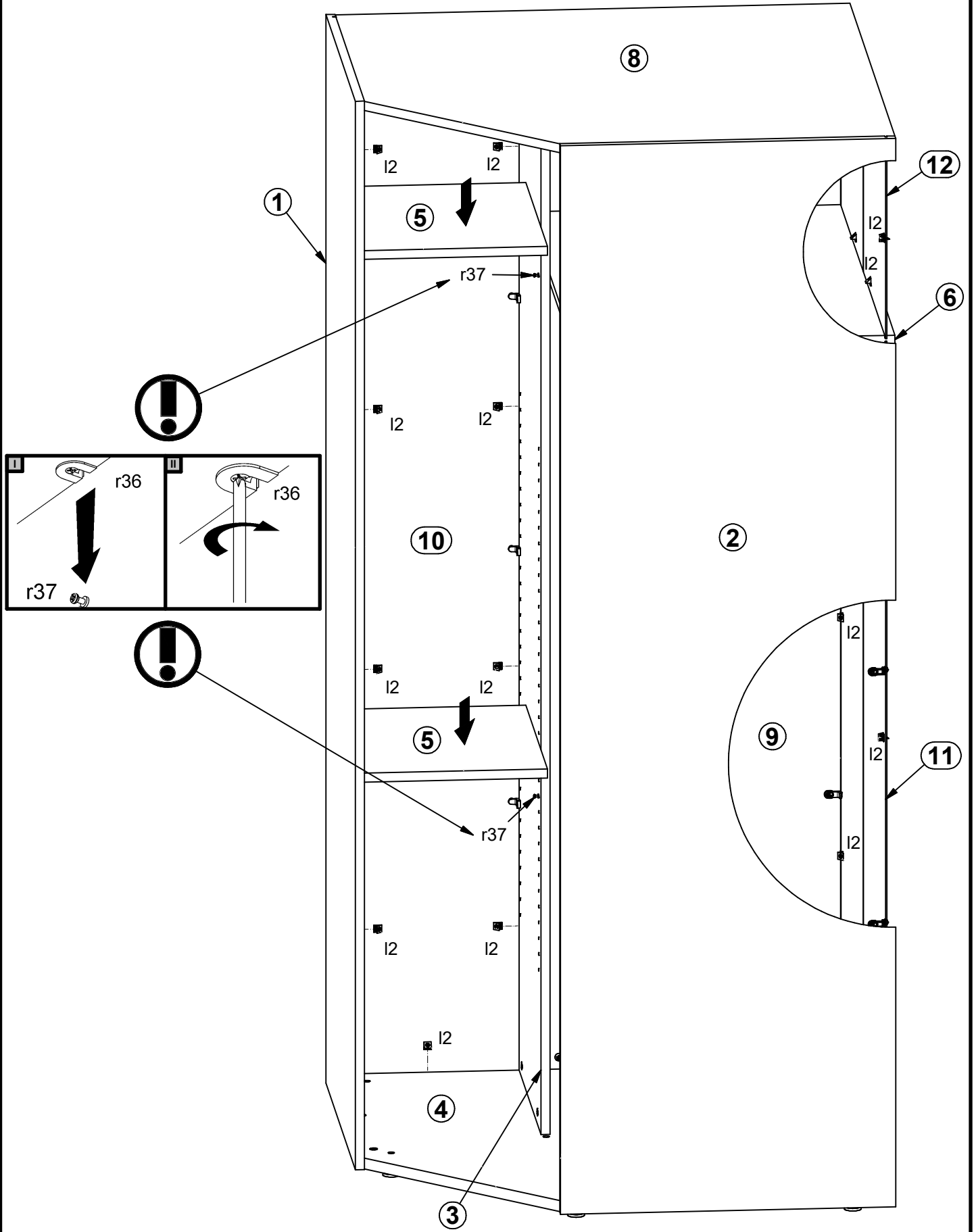
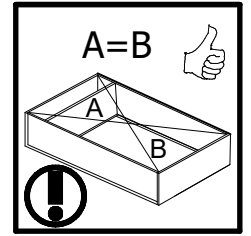
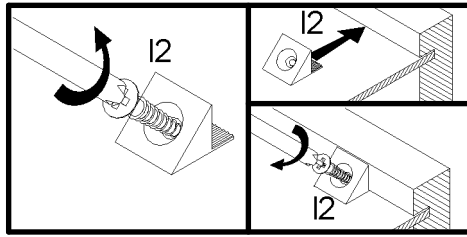
I



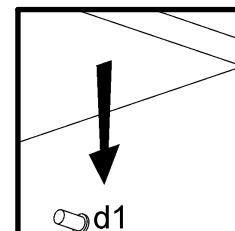
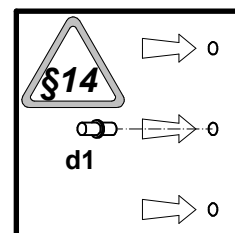
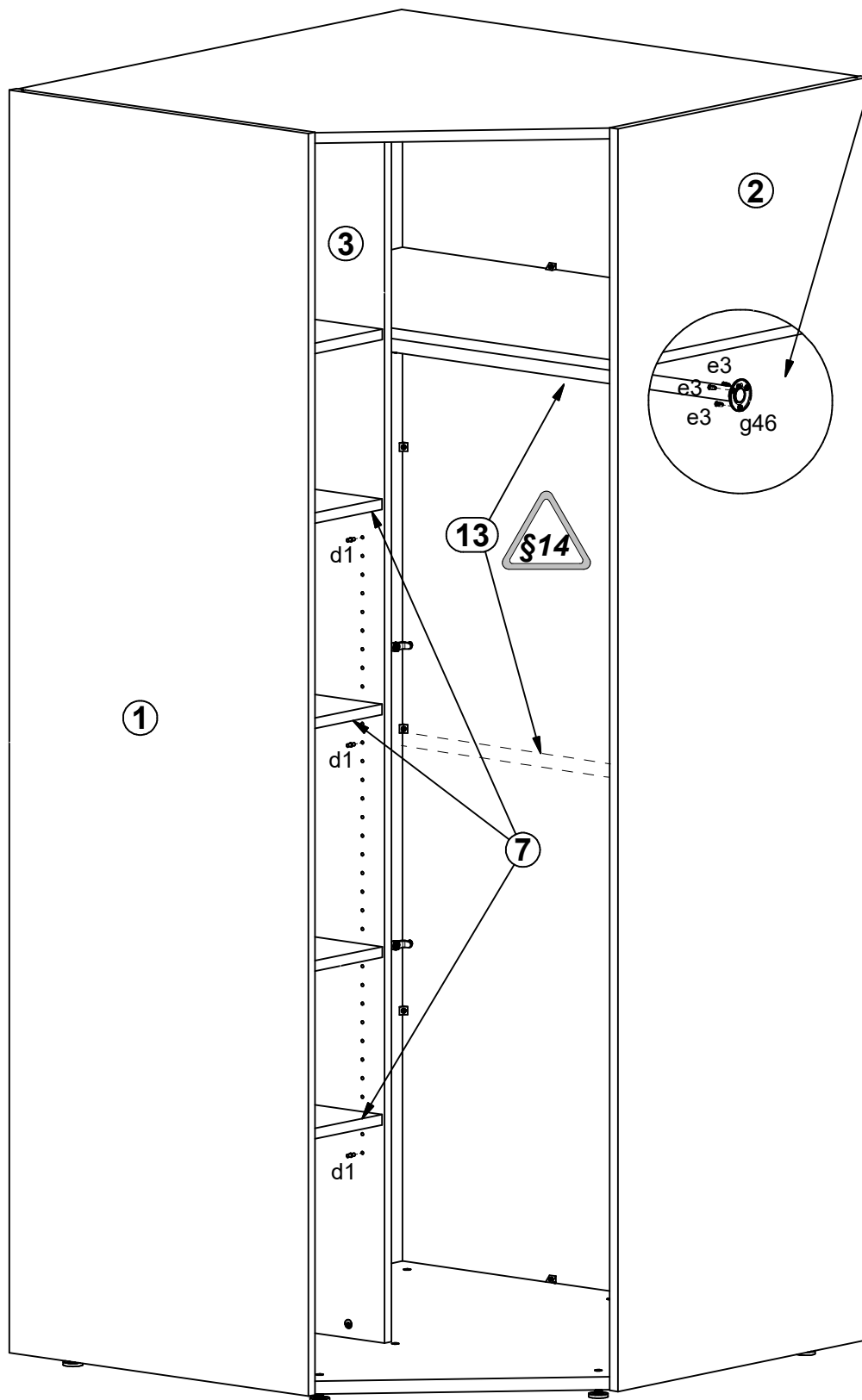
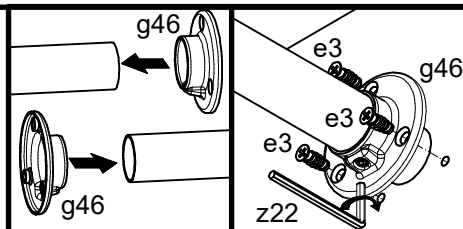
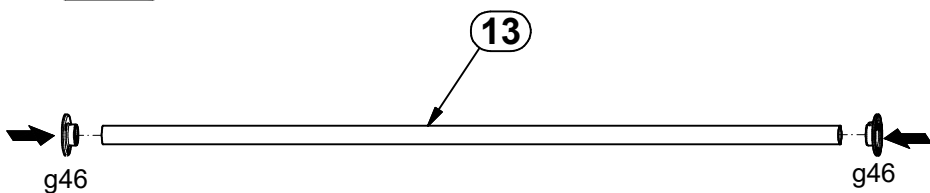
II



4 §6



5



6A

6B

