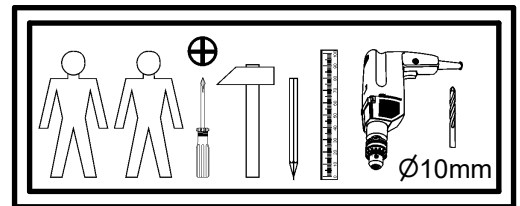
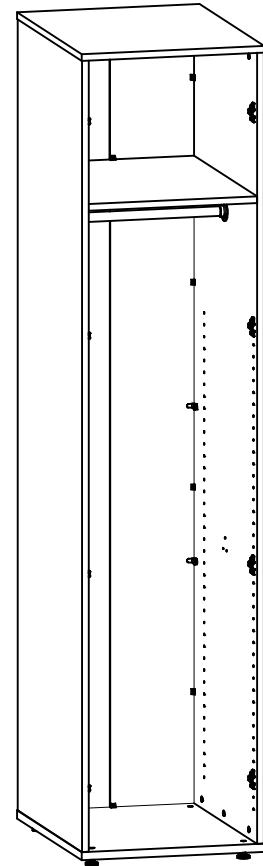
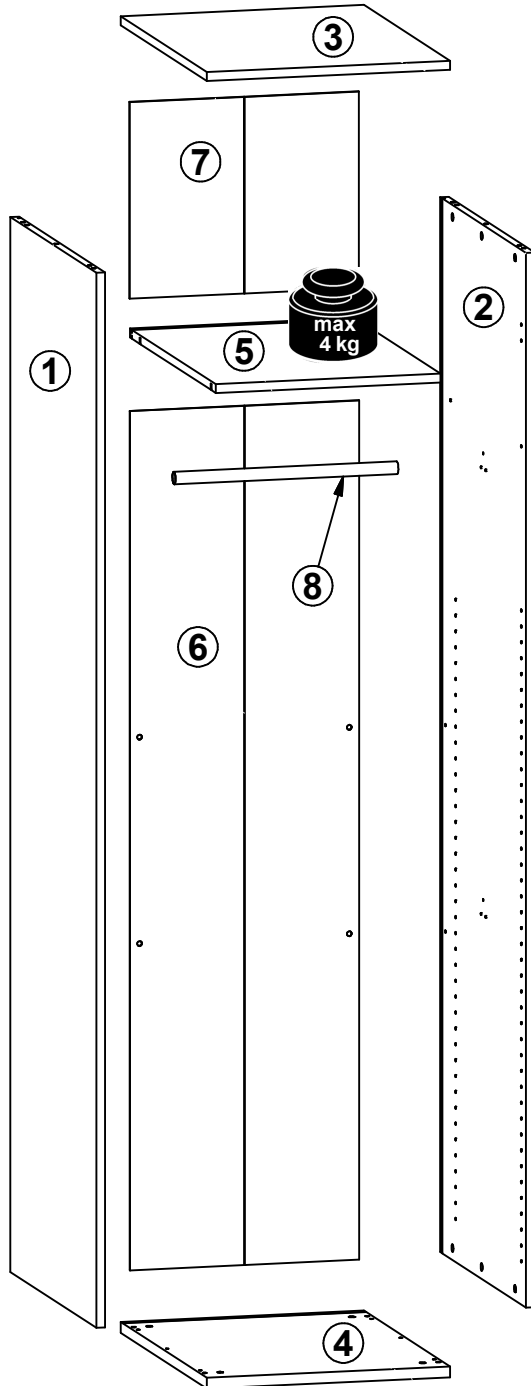
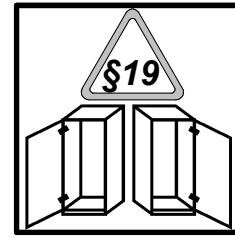
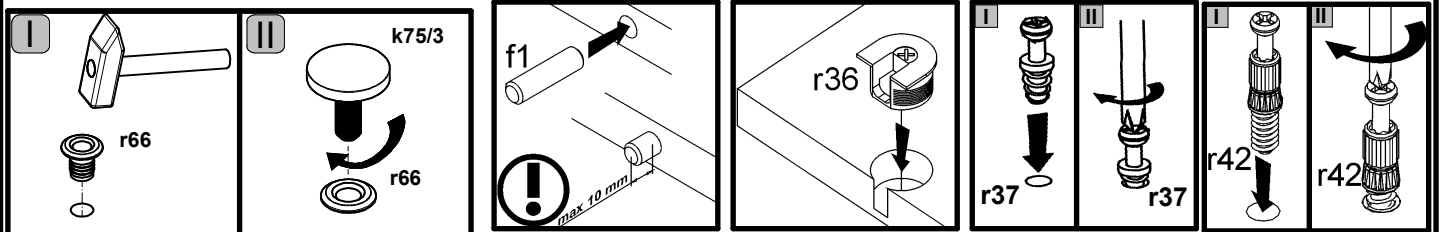
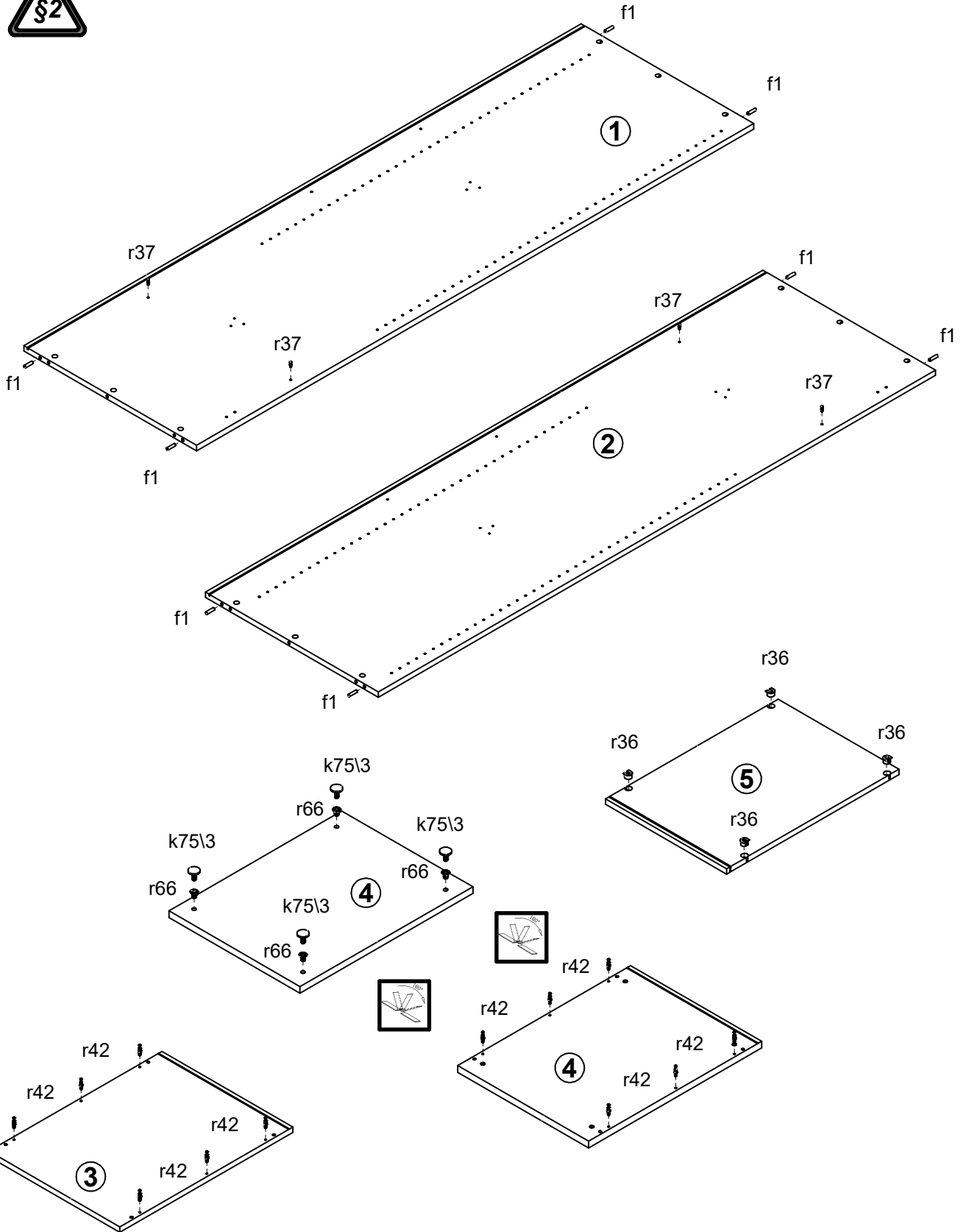


A	B	C		D
1	F57-1030	2126,	659,	1/2
2	F57-1031	2126,	659,	1/2
3	F57-2040	500	660	2/2
4	F57-2041	500	660	2/2
5	F57-3056	462	658	2/2
6	F57-9313	1732	471	1/2
7	F57-9316	396	471	1/2
8	g47/25	458,	0	2/2



4x a204	4x b90	4x d20	6x Ø6x13 mm e3	4x Ø6.3x10 mm e50	8x Ø8x30 mm f1	2x 32 mm g46	4x 32 mm k75/3	12x l2
8x Ø3.5x15 mm p51	12x Ø15x12 mm #16 r1	4x Ø20x12 mm #16 r36	4x 6.7/7.8 r37	12x 20/11 r42	4x Ø12xM10x17 mm r66	12x Ø16 s2	4x Ø12x4 mm s41	1x 4 mm z15
1x 3 mm z22					1x 86x21x15/1.5 n14/2	2x Ø3.5x16 mm p38	1x Ø5x60 mm p17	1x Ø10x50 mm f35

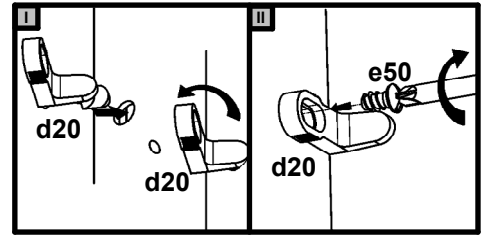
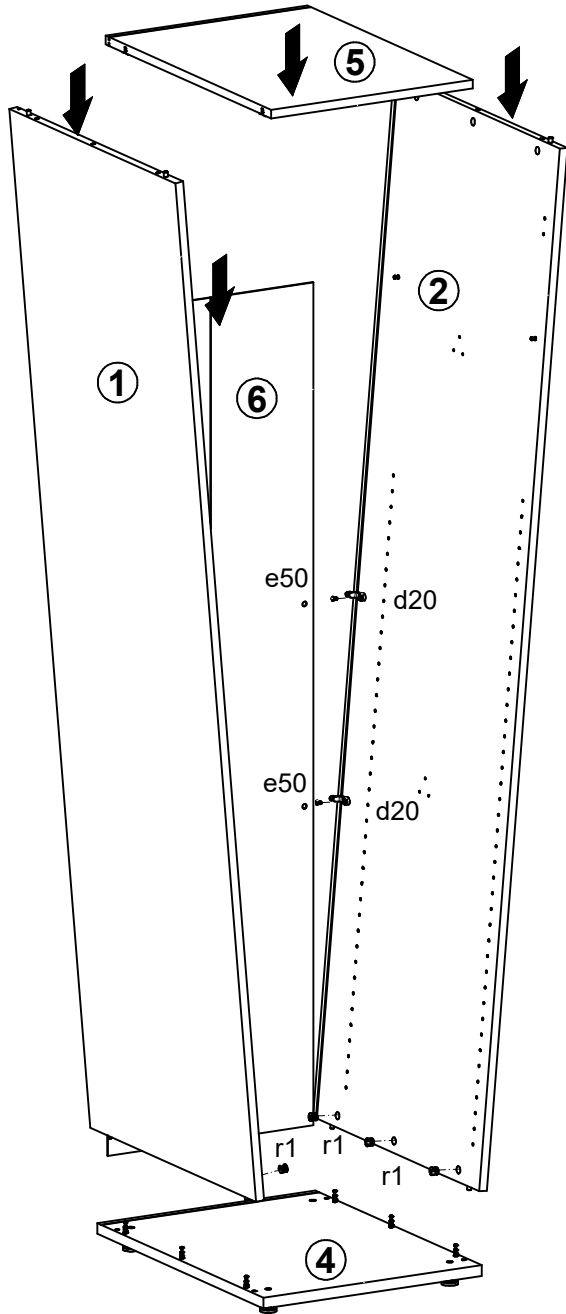
1 §2



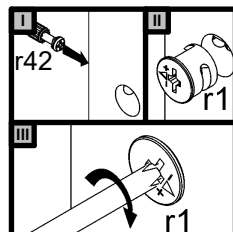
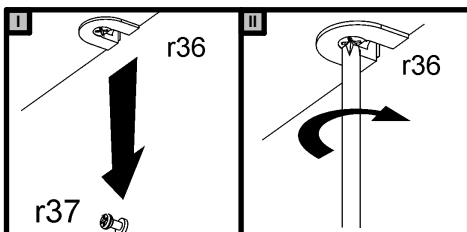
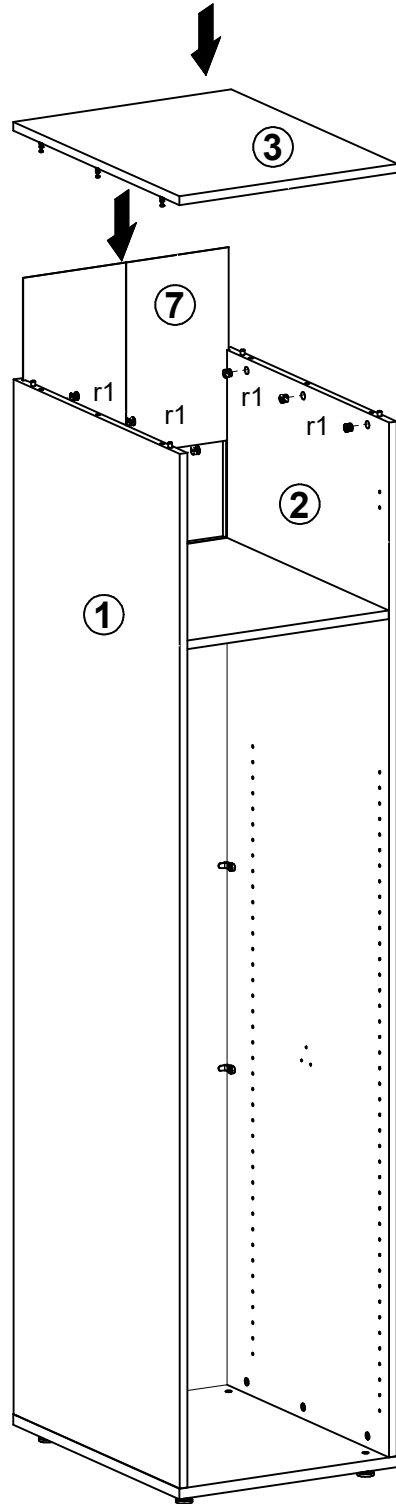
2



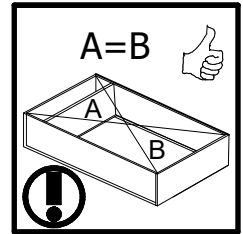
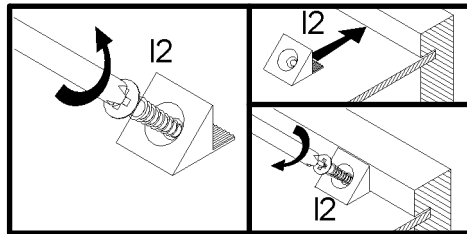
I



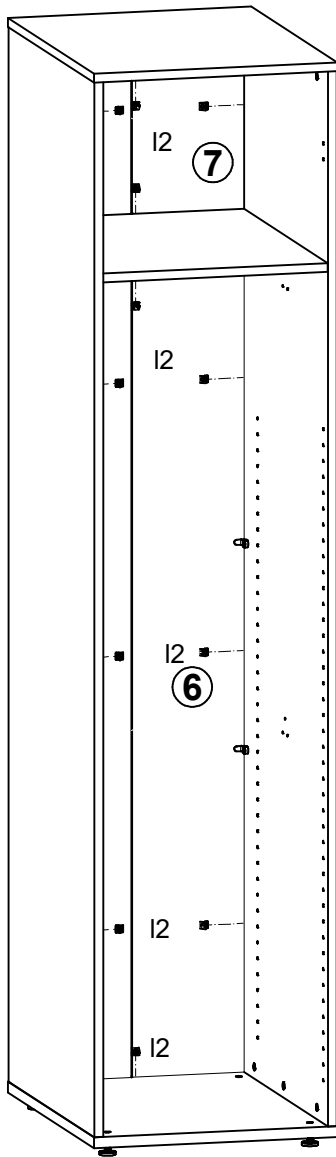
II



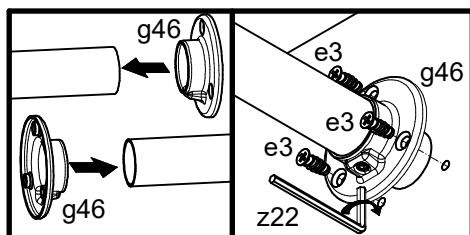
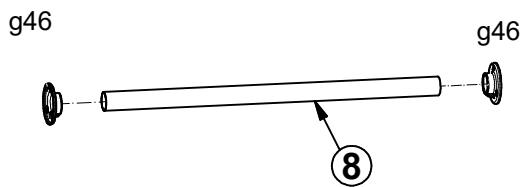
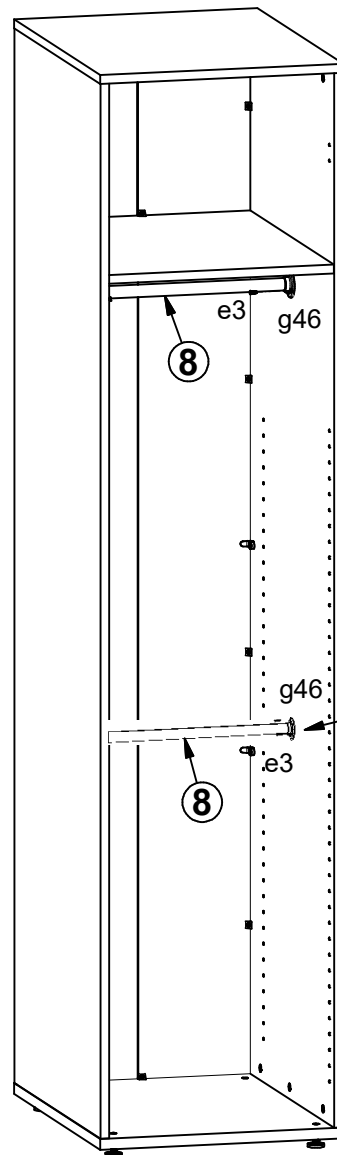
3 §6



I



II



4A

4B

