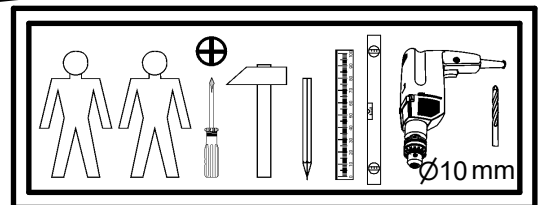
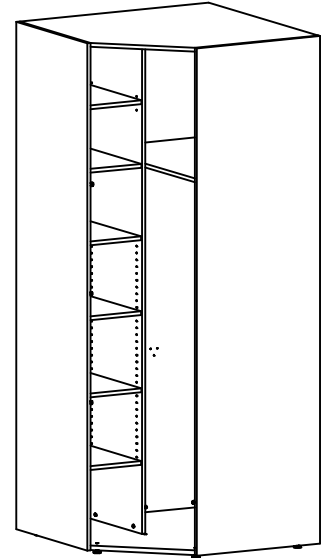
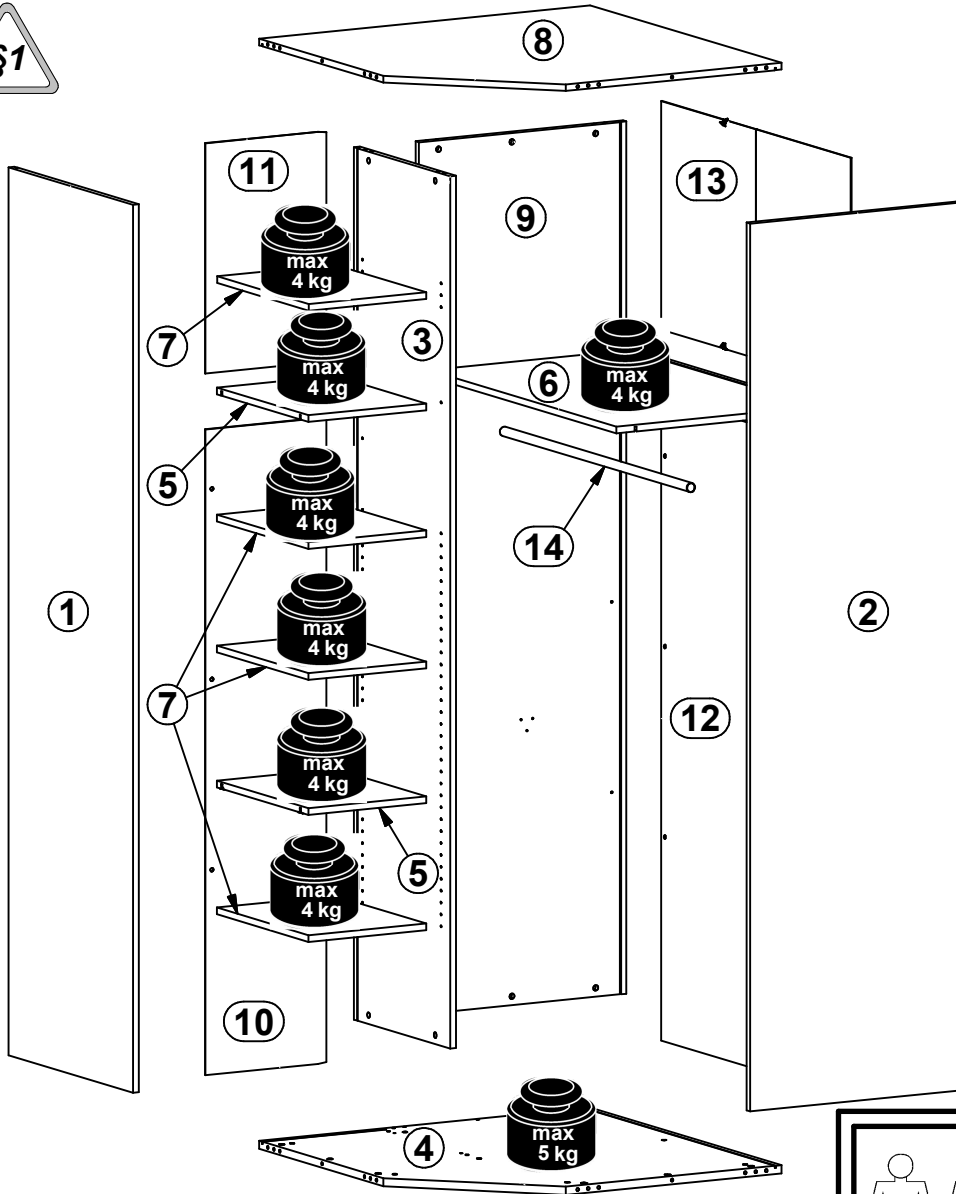
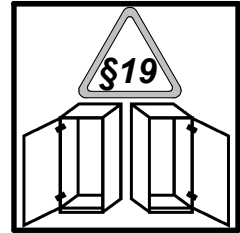
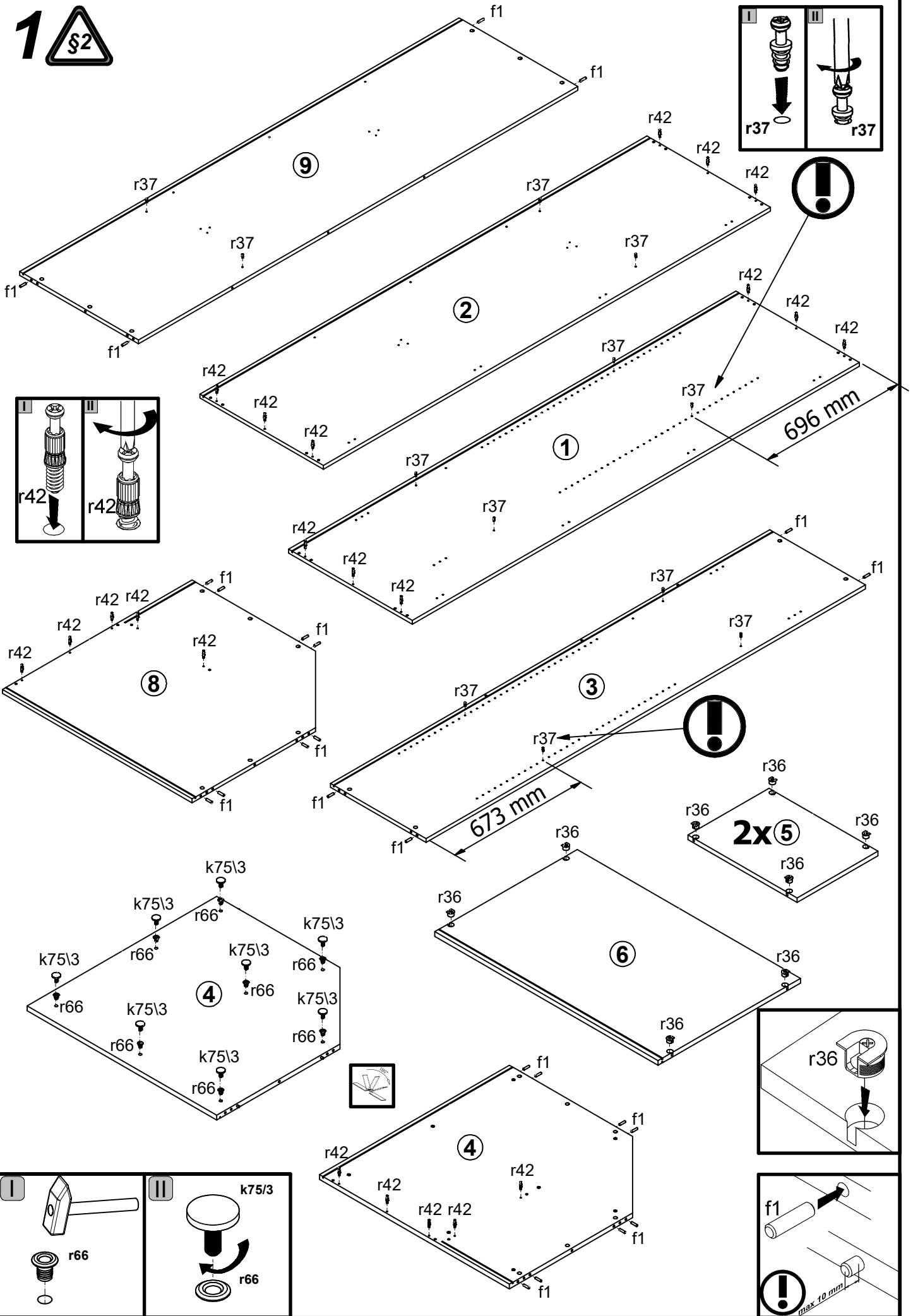
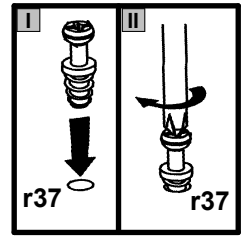


A	B	C	D	A	B	C	D		
1	F57-1043	2386	659	1/4	8	F57-3079	1012	1012	3/4
2	F57-1044	2386	659	1/4	9	F57-4012	2344	634	2/4
3	F57-1045	2344	510	2/4	10	F57-9037	1735	370	2/4
4	F57-3075	1012	1012	3/4	11	F57-9039	619	370	2/4
5	F57-3076	360	485	4/4	12	F57-9320	1731	1003	2/4
6	F57-3077	993	633	3/4	13	F57-9329	615	1003	2/4
7	F57-3078	359	485	4/4	14	g47\29	990	0	3/4



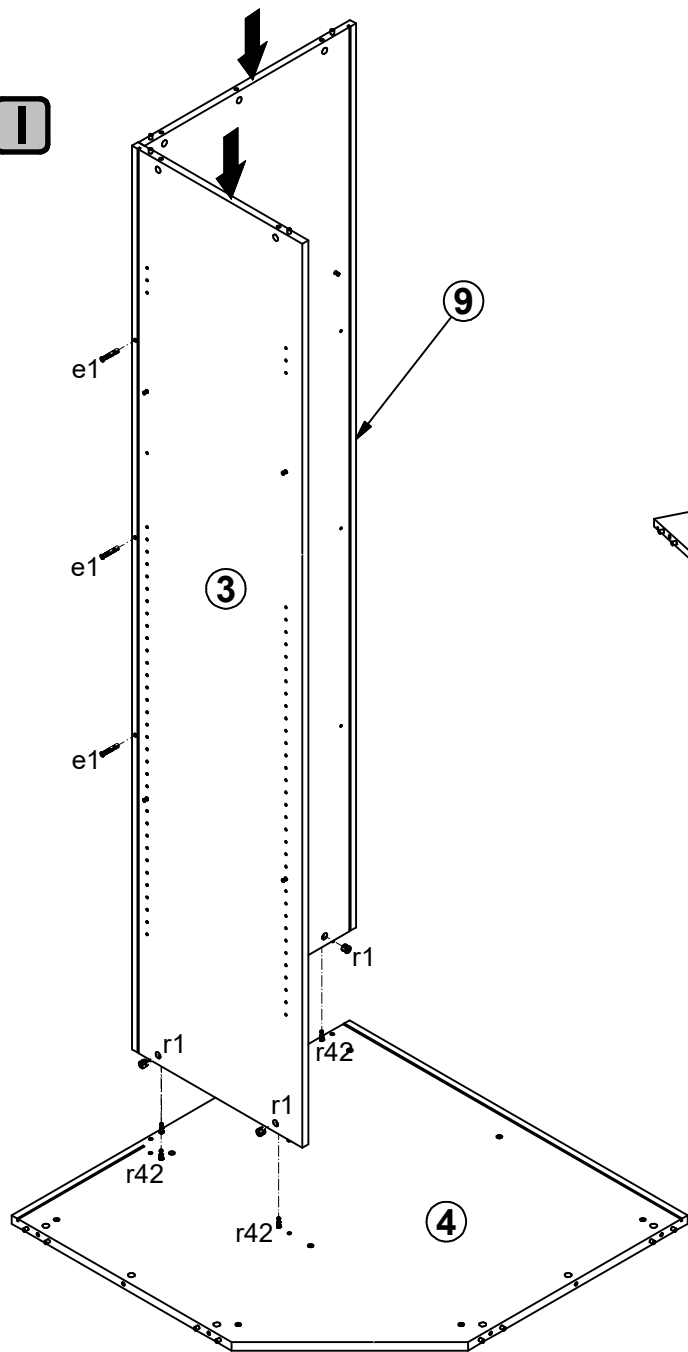
4x a10	2x a133	4x H4 b82	16x d1 Ø5x17 mm	12x d20	3x e1 Ø7x50 mm	6x e3 Ø6x13 mm	12x e50 Ø6,3x10 mm	24x f1 Ø8x30 mm
2x g46	8x k75\3 32 mm	26x l2	3x n108 22x9,5x210,7 mm	8x p51 Ø3,5x15 mm	3x p55 Ø2,9x16 mm	22x r1 Ø15x12 mm #16	12x r36 Ø20x12 mm #16	12x r37 6,7/7,8
22x r42	8x r66 Ø12xM10x17mm	22x s2 Ø16	8x s41 Ø12x4 mm	1x z15 4 mm	1x z22 3 mm			

1 

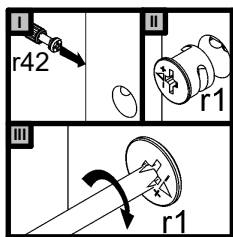
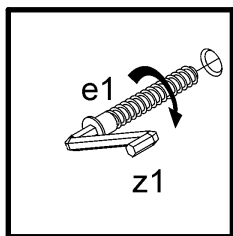
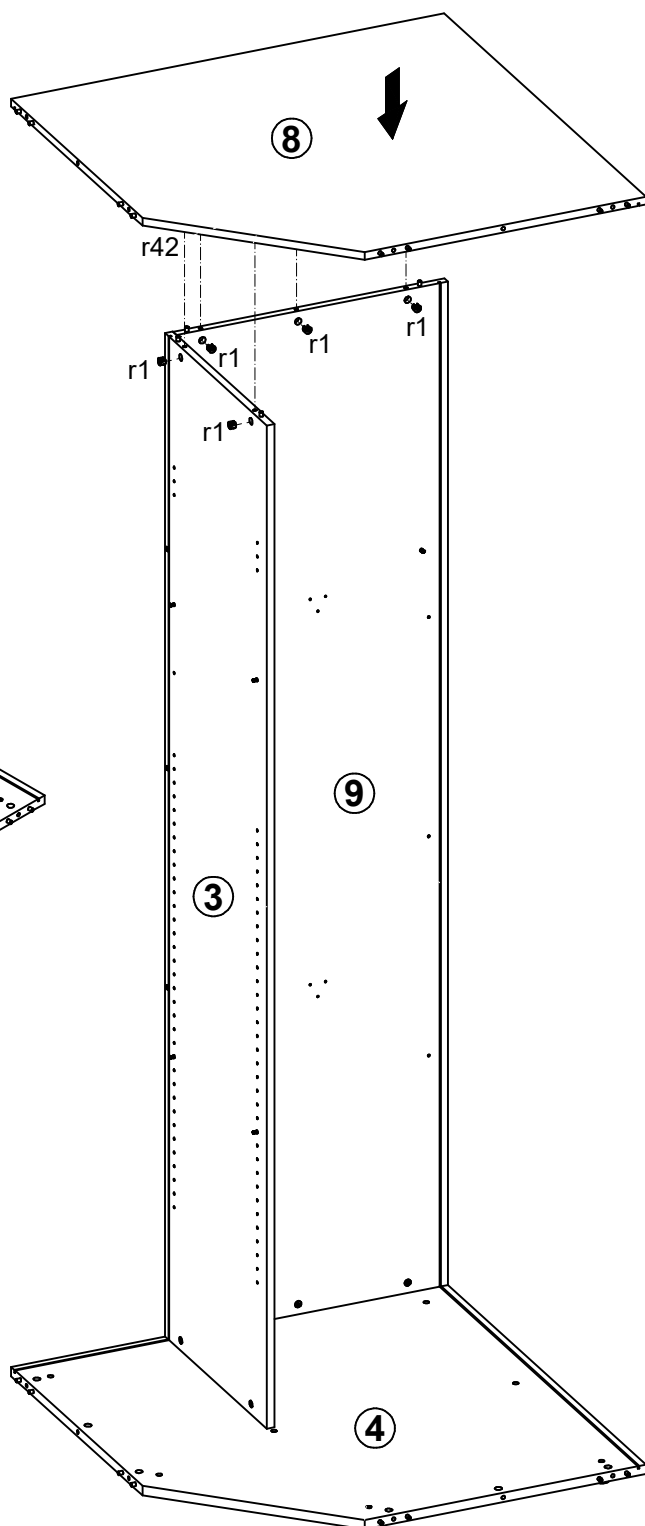


2

I

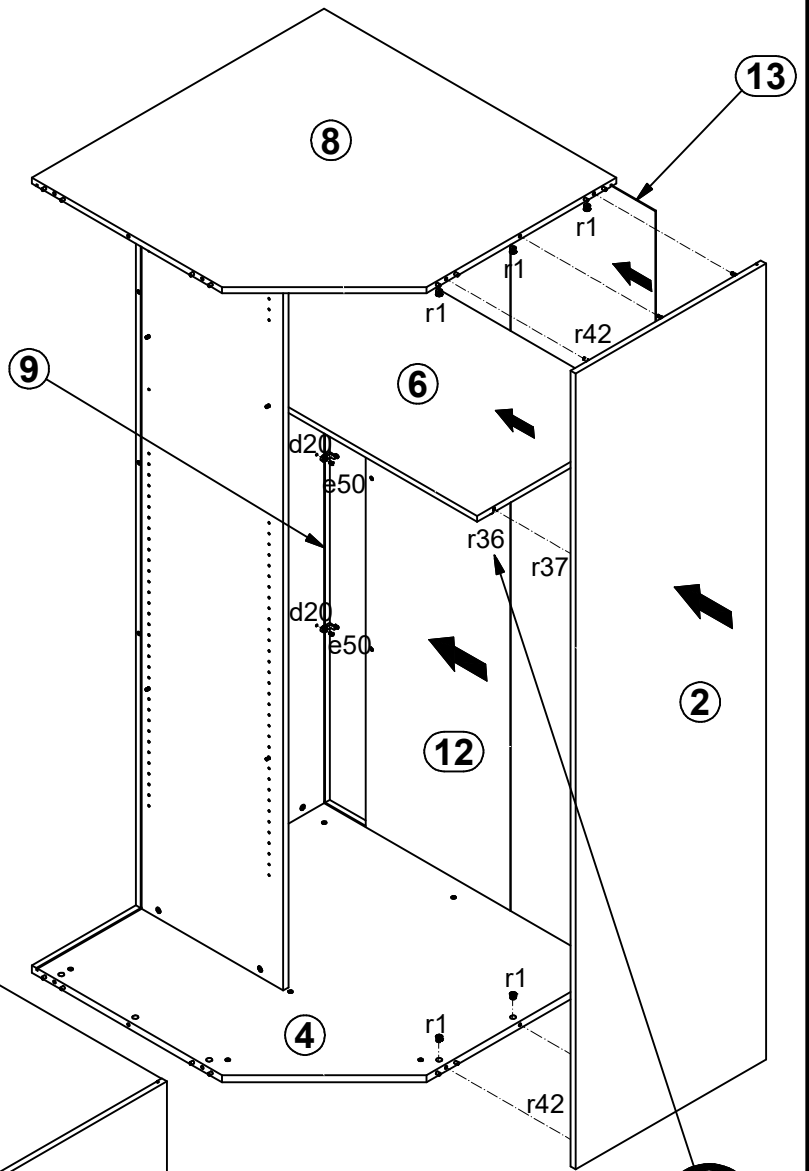
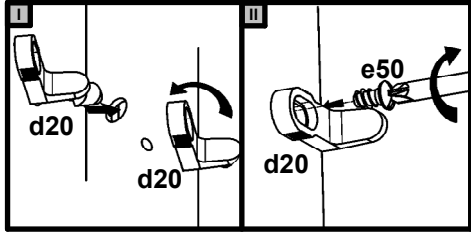


II

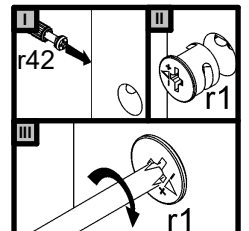
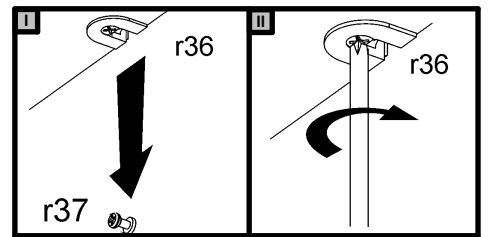
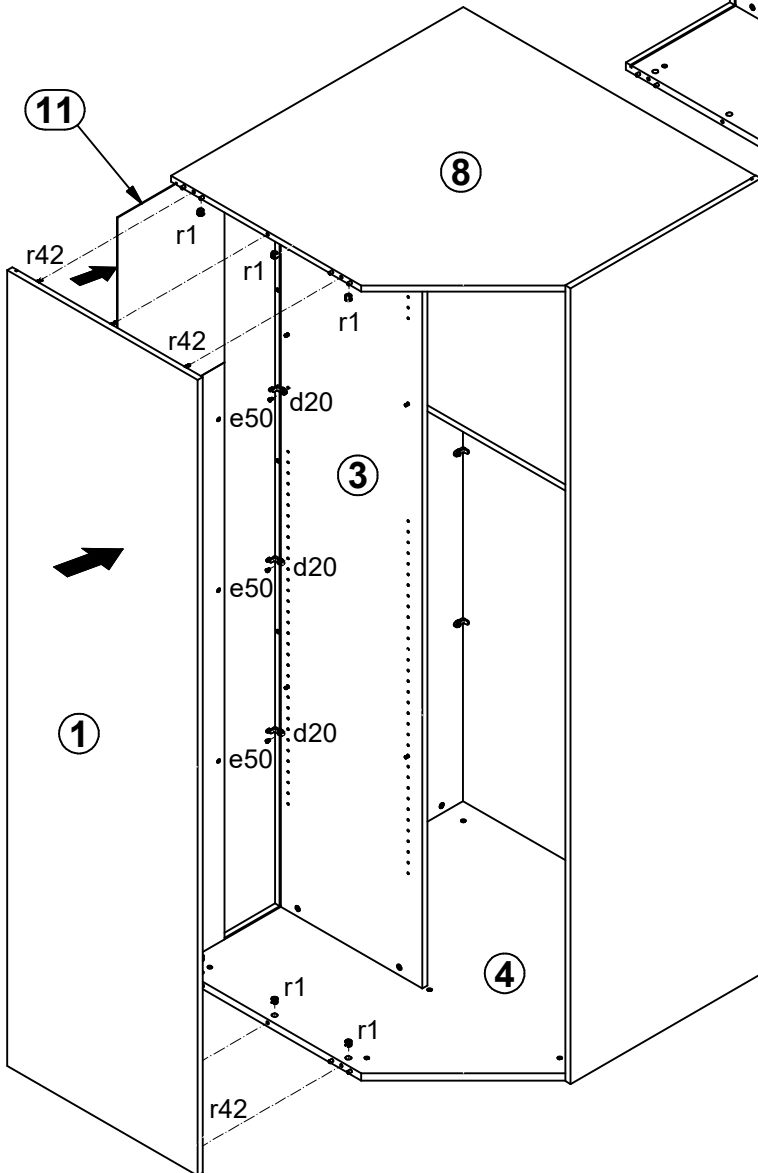


3 

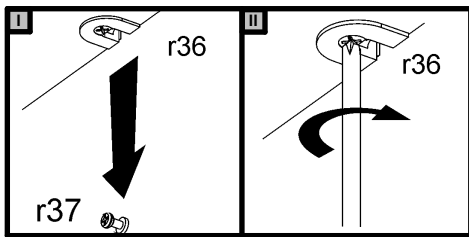
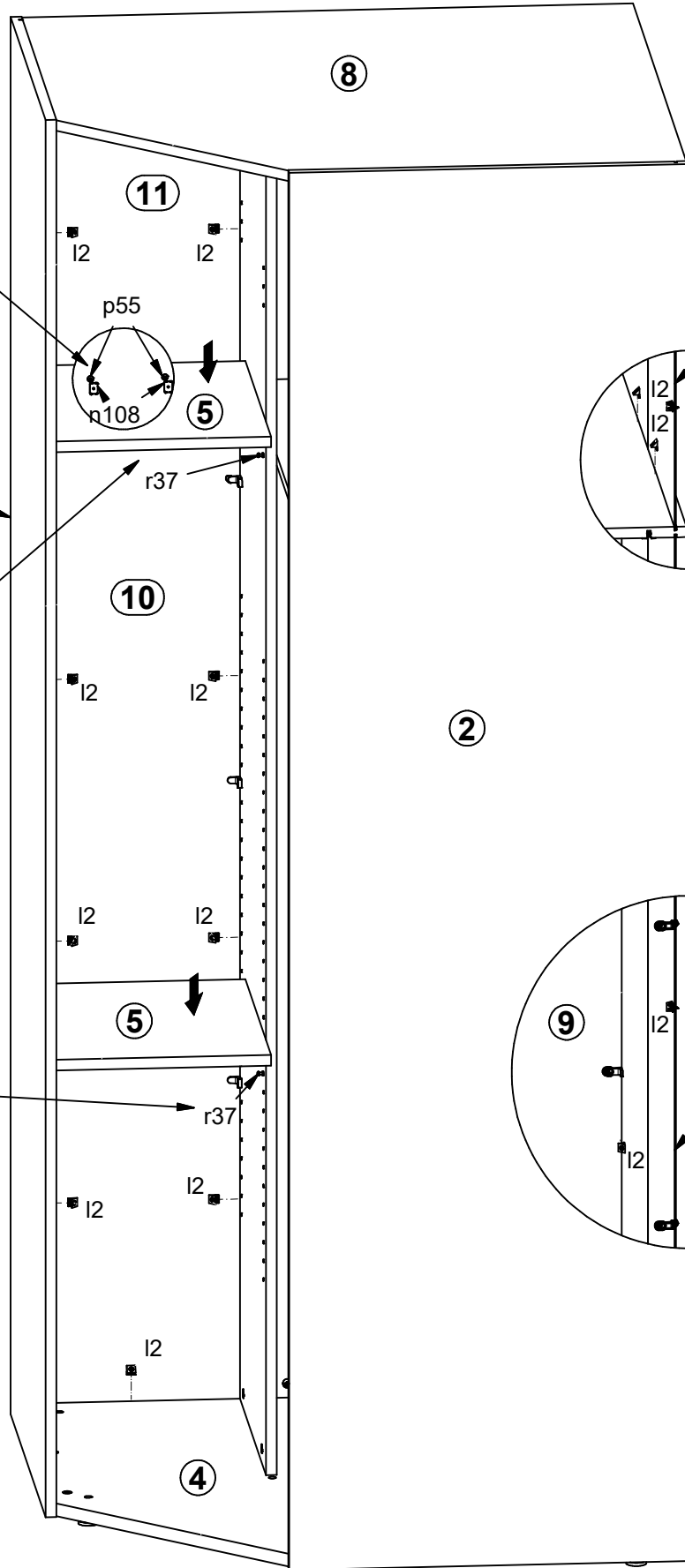
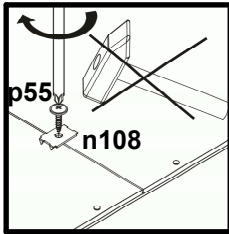
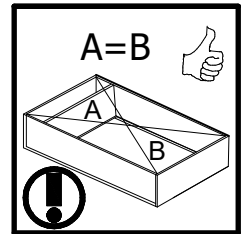
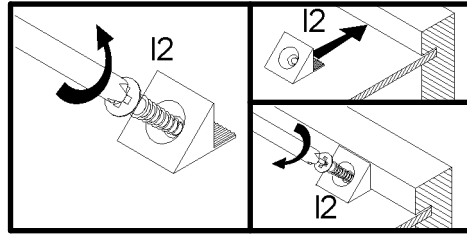
I



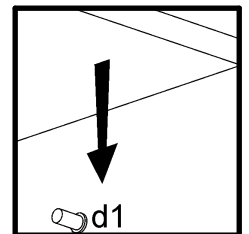
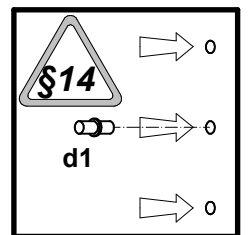
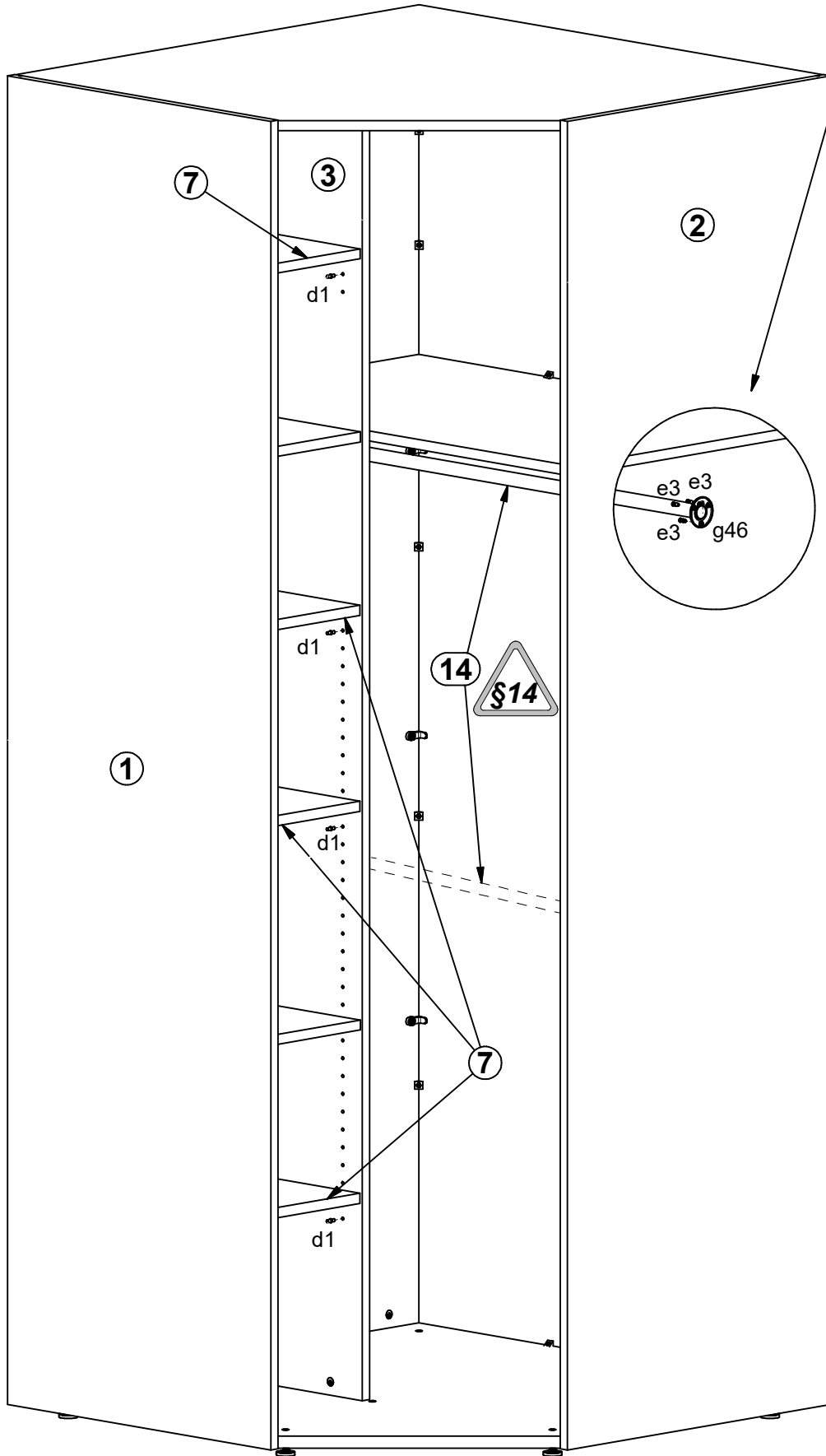
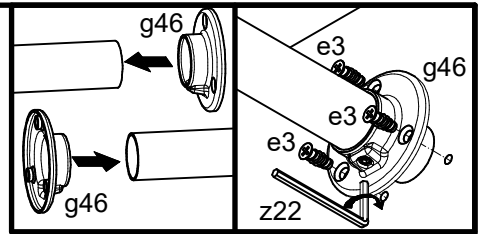
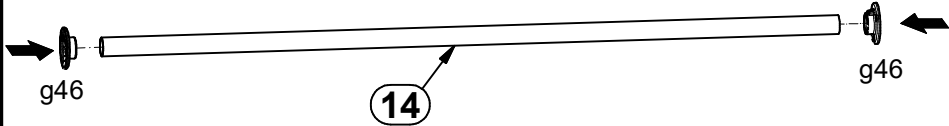
II



4 §6



5 §6



6A

6B

