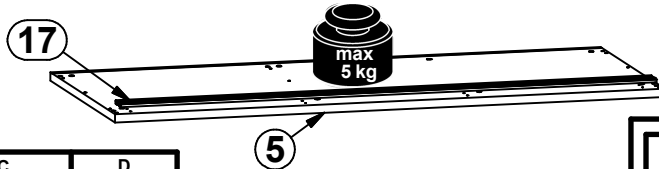
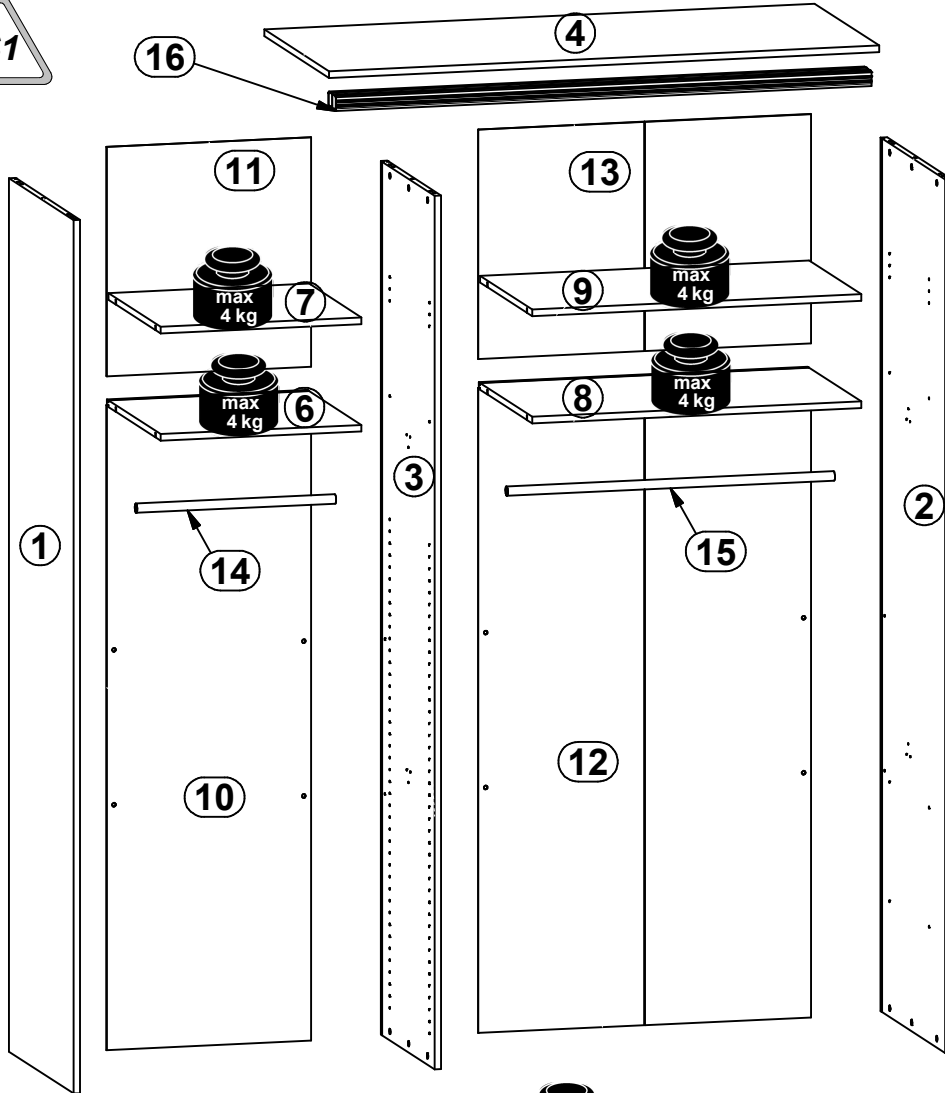
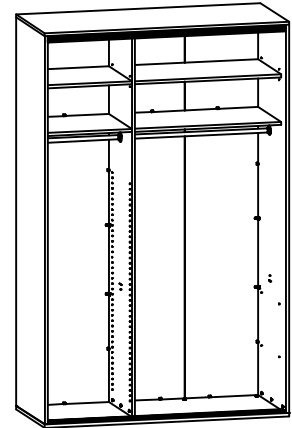
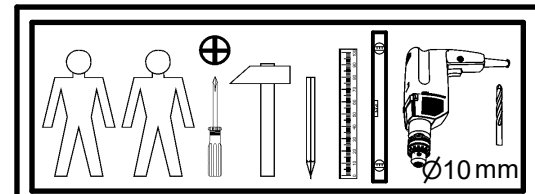


A	B	C	D	A	B	C	D		
1	F57-1001	2346	659	1/5	9	F57-3007	901	533	4/5
2	F57-1002	2346	659	1/5	10	F57-9001	1732	560	5/5
3	F57-1003	2346	550	2/5	11	F57-9002	616	560	5/5
4	F57-2003	1507	660	3/5	12	F57-9302	1732	911	5/5
5	F57-2004	1507	660	3/5	13	F57-9324	616	911	5/5
6	F57-3001	550	549	4/5	14	g47\19	545	0	4/5
7	F57-3002	550	533	4/5	15	g47\21	896	0	4/5
8	F57-3006	901	549	4/5					

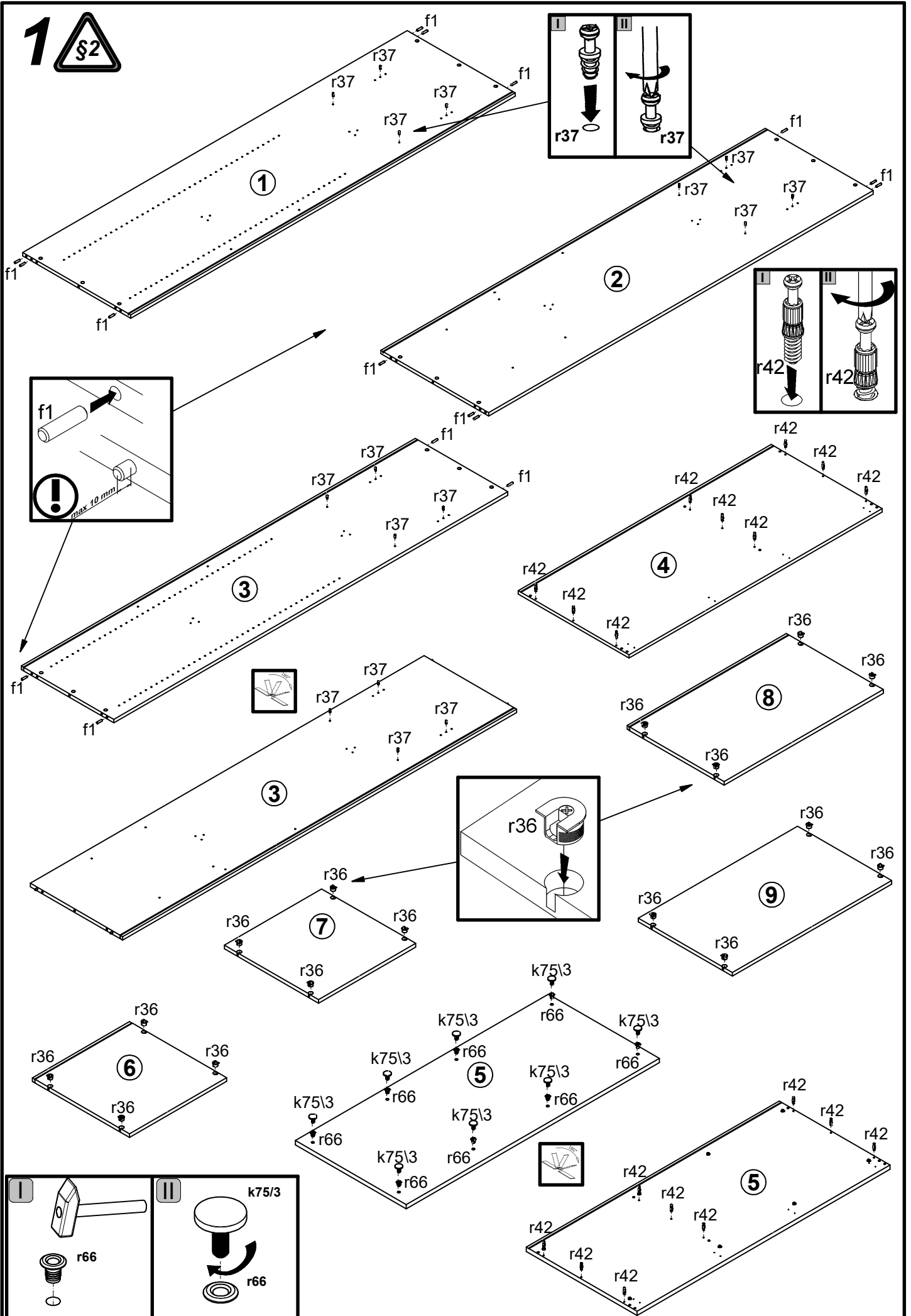


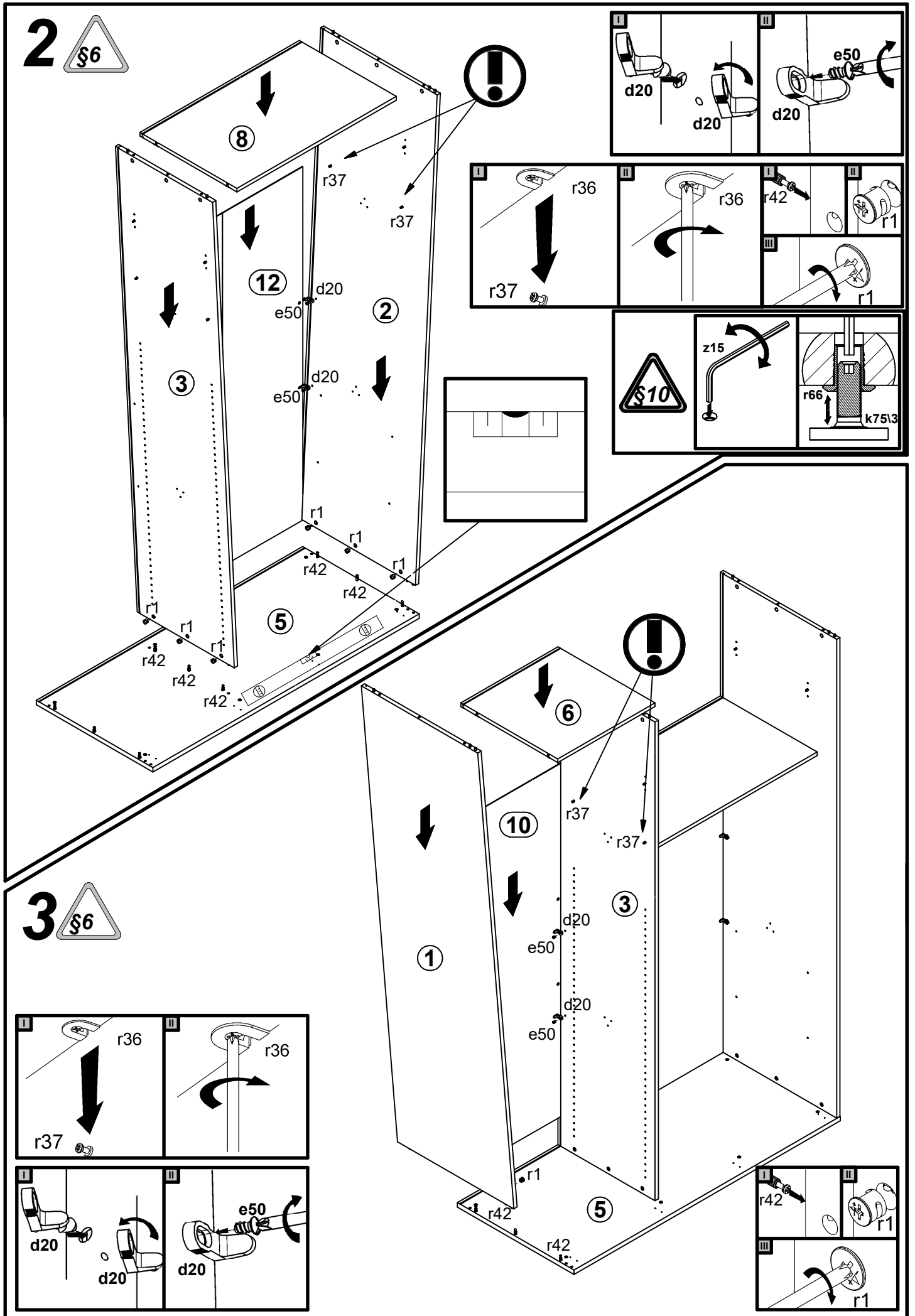
A	B	C	D	
16	w106\4	1467	76	1/1
17	w107\4	1467	53	1/1



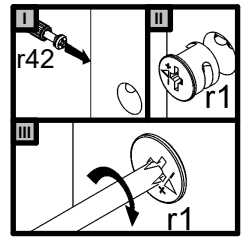
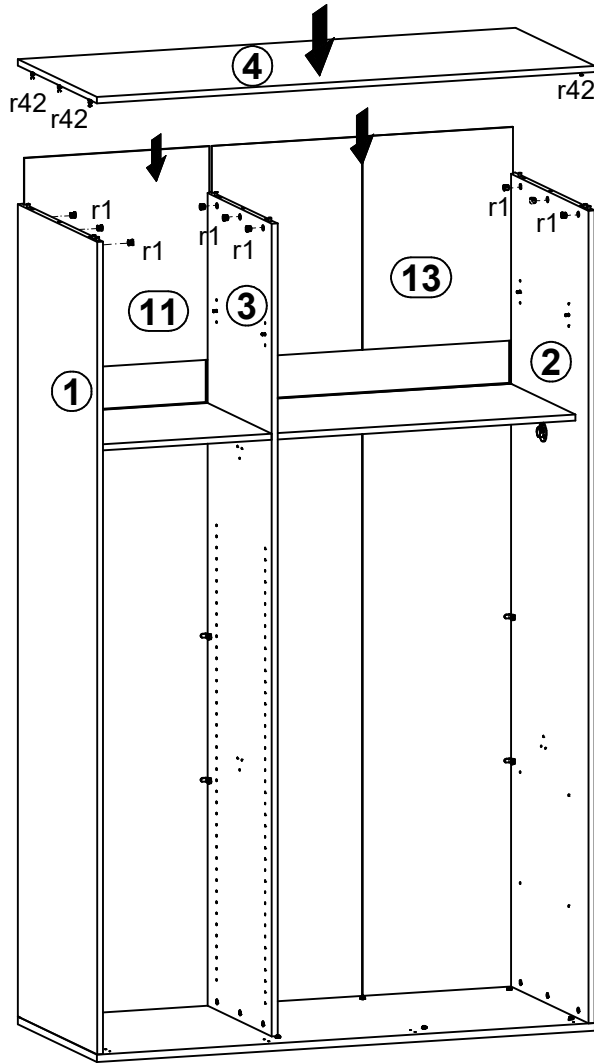
8x d20	12x Ø6x13 mm e3	8x Ø6.3x10 mm e50	16x Ø8x30 mm f1	4x g46	8x 32 mm k75\3	24x l2	16x Ø3.5x15 mm p51	18x Ø15x12 mm #16 r1
16x Ø20x12 mm #16 r36	16x 6.7/7.8 r37	18x 20/11 r42	8x Ø12xM10x17mm r66	18x Ø16 s2	8x Ø12x4 mm s41	1x 4 mm z15	1x 3 mm z22	
					2x 88x21x15\1.5 n14\2	4x Ø3.5x16 mm p38	2x Ø5x60 mm p17	2x Ø10x50 mm f35

1 

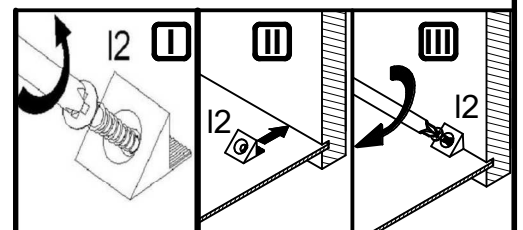
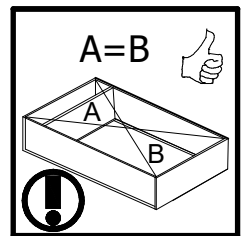
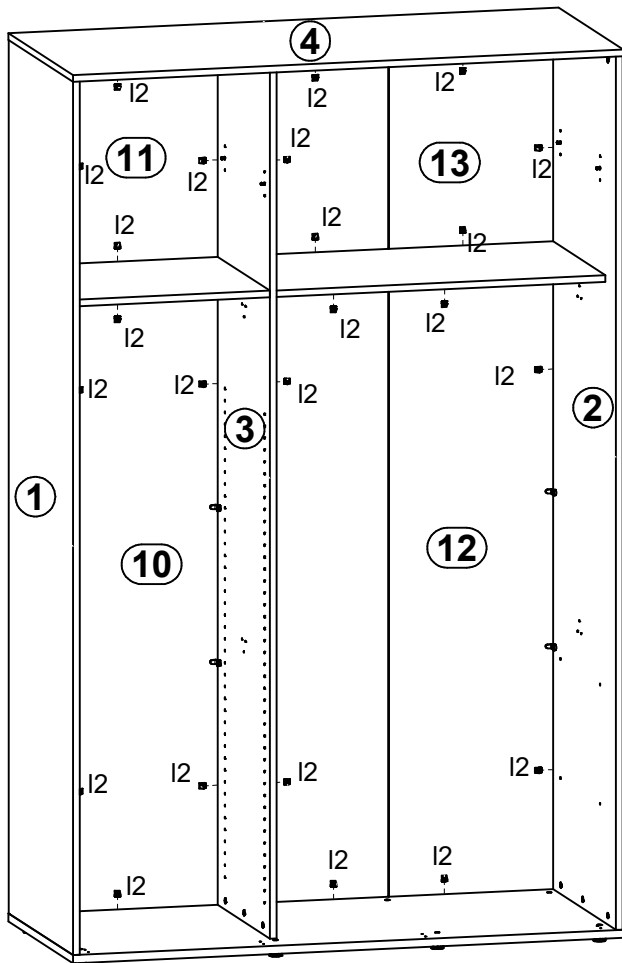




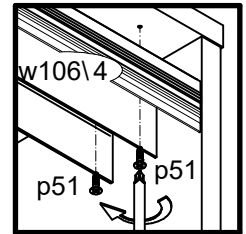
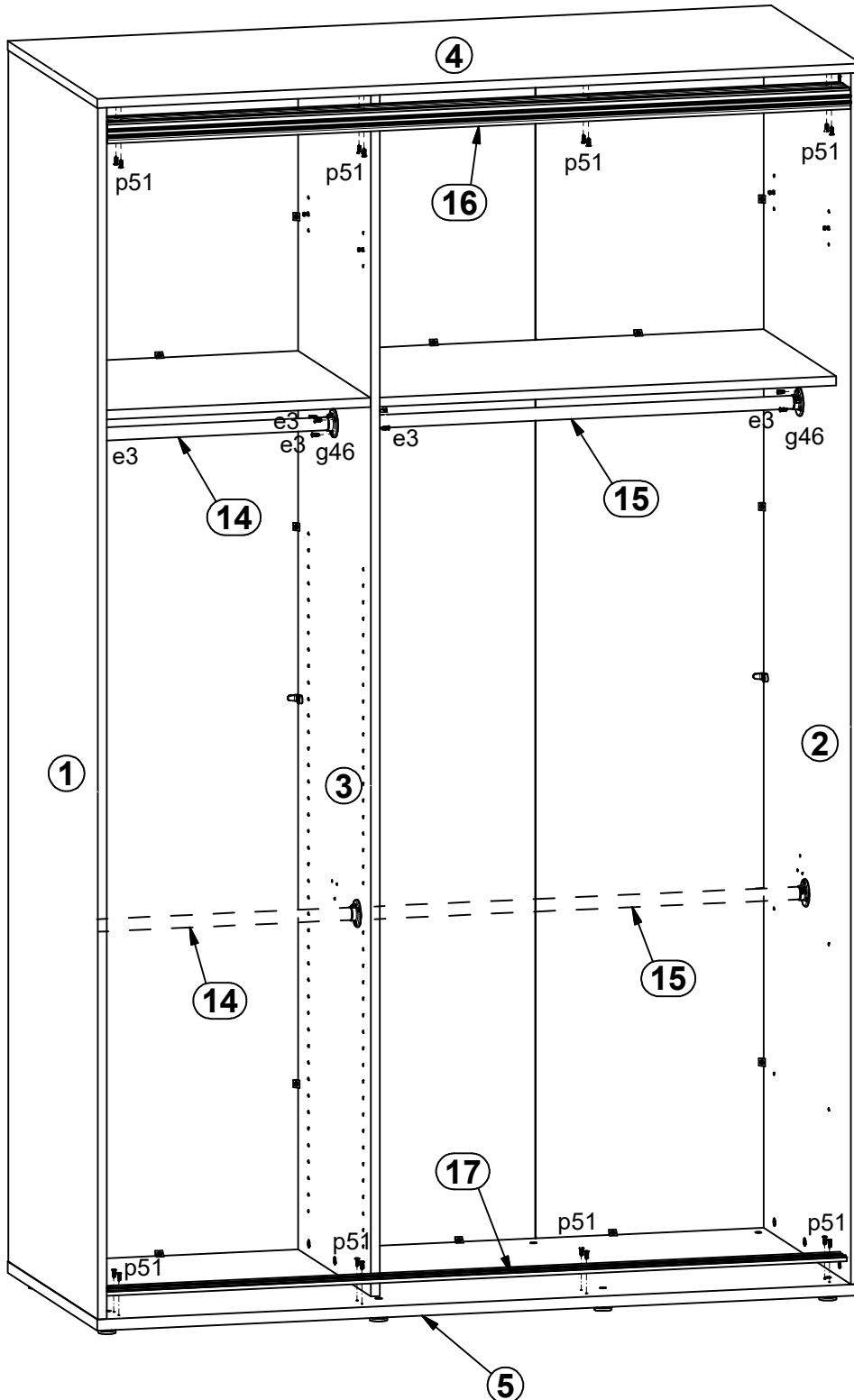
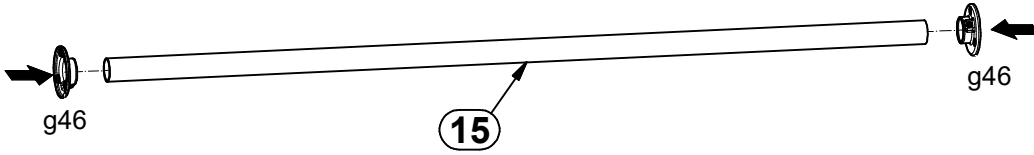
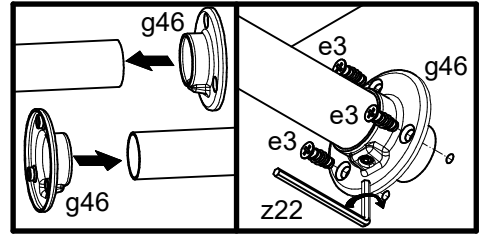
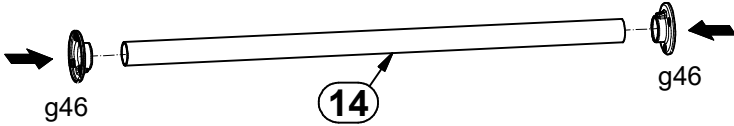
4 §6



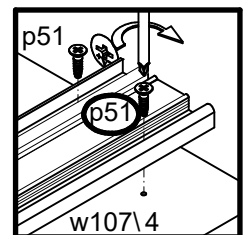
5 §6



6 §6



§14



7 §6

