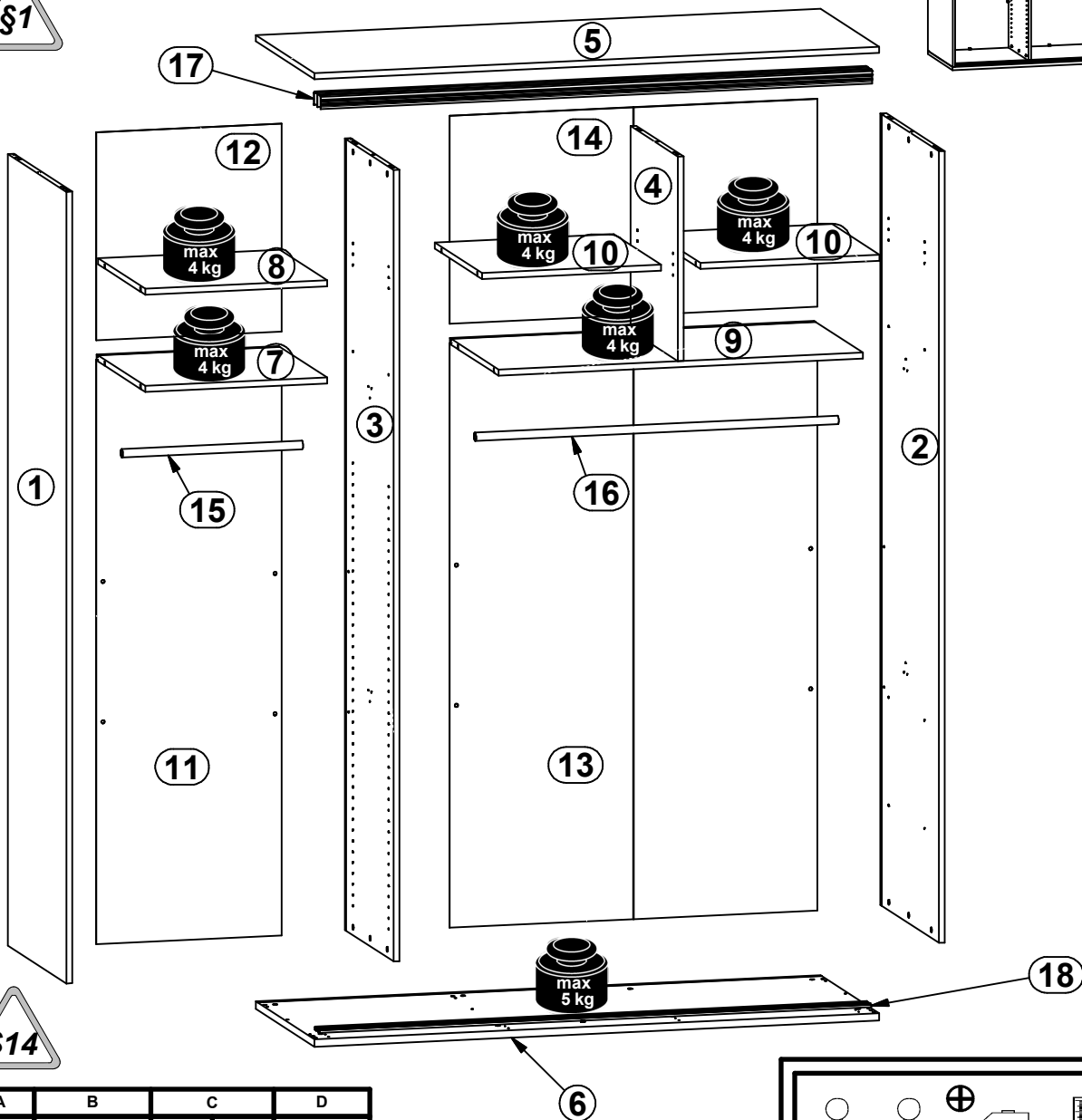
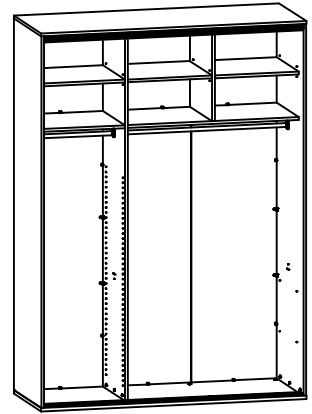


A

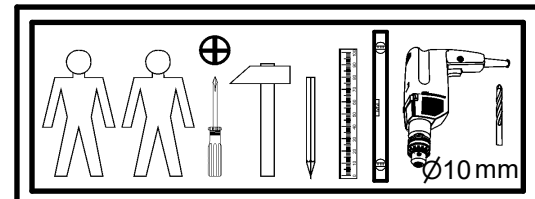
FLEX

F57-SZF/170/240/66

A	B	C	D	A	B	C	D		
1	F57-1001	2346	659	1/5	9	F57-3009	1101	549	4/5
2	F57-1002	2346	659	1/5	10	F57-3010	541	533	4/5
3	F57-1003	2346	550	2/5	11	F57-9001	1732	560	5/5
4	F57-1005	606	533	4/5	12	F57-9002	616	560	5/5
5	F57-2005	1707	660	3/5	13	F57-9303	1732	1111	5/5
6	F57-2006	1707	660	3/5	14	F57-9325	616	1111	5/5
7	F57-3001	550	549	4/5	15	g47/19	545	0	4/5
8	F57-3002	550	533	4/5	16	g47/22	1096	0	4/5

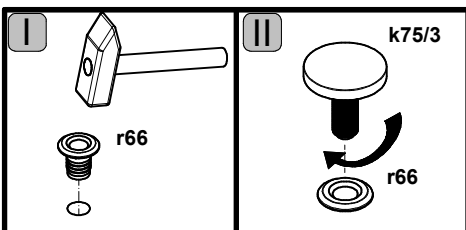
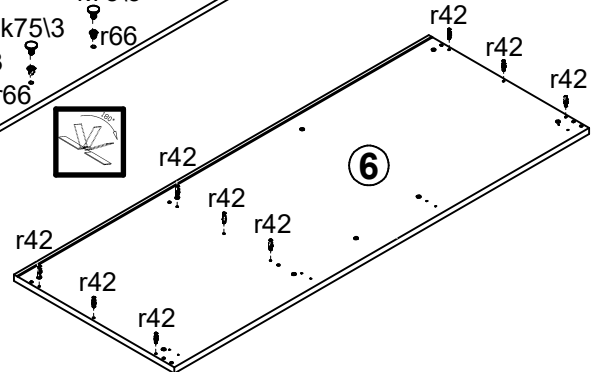
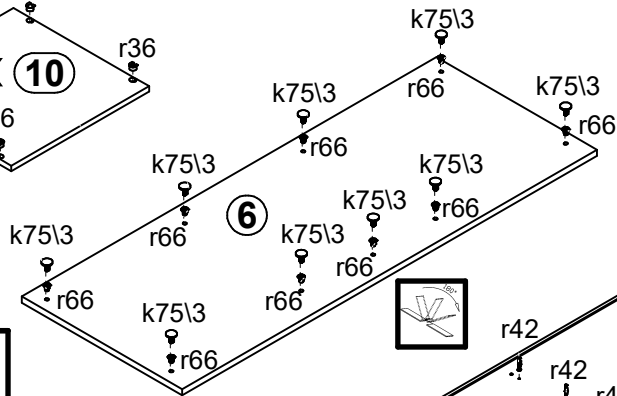
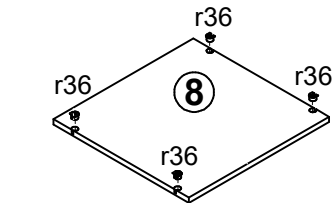
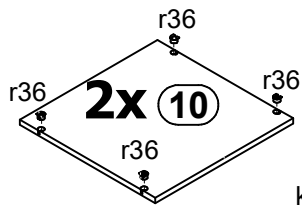
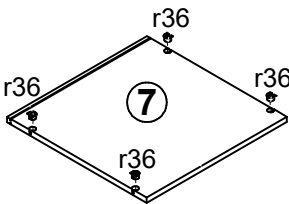
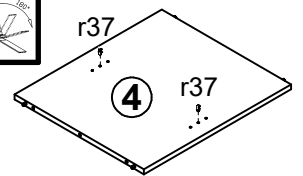
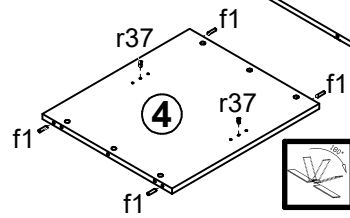
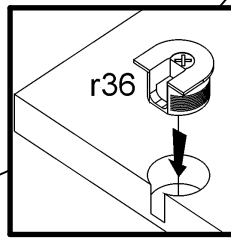
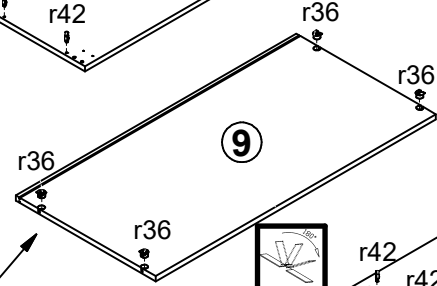
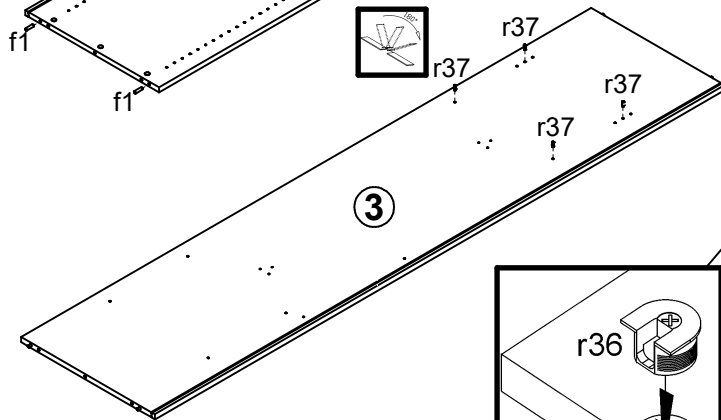
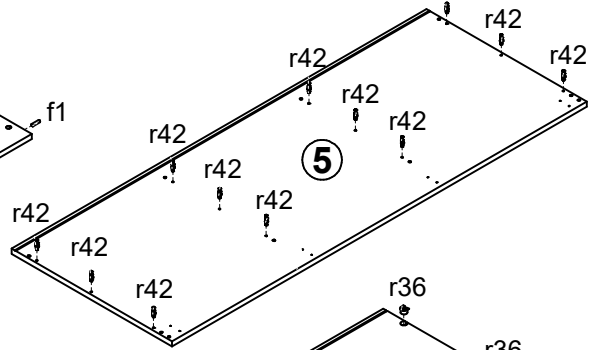
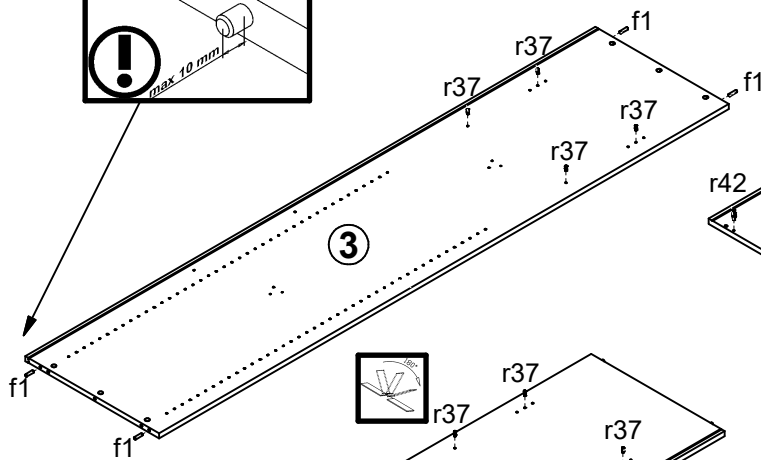
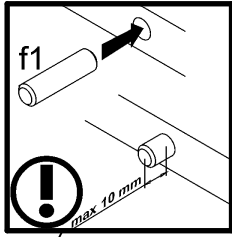
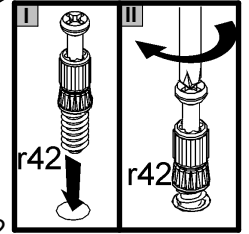
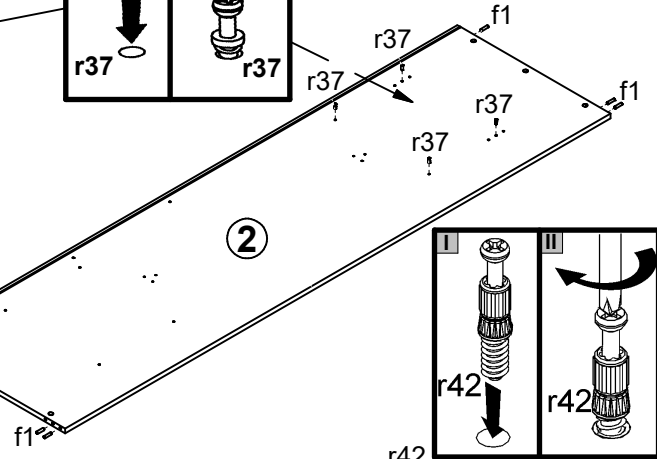
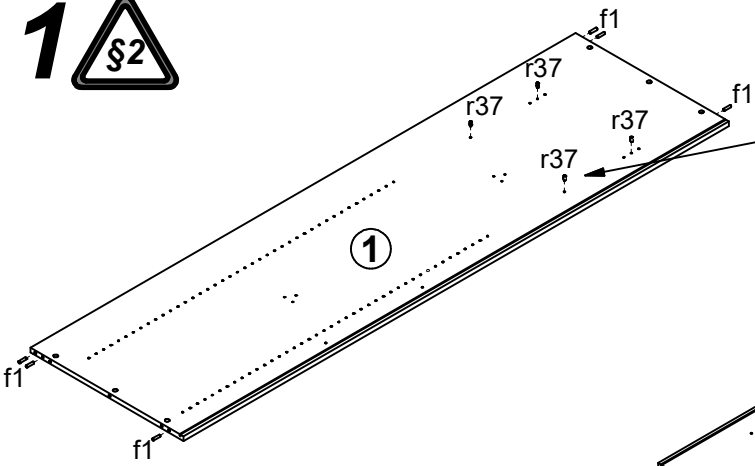
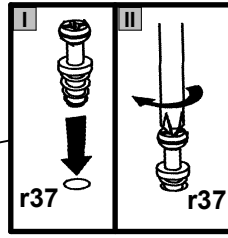


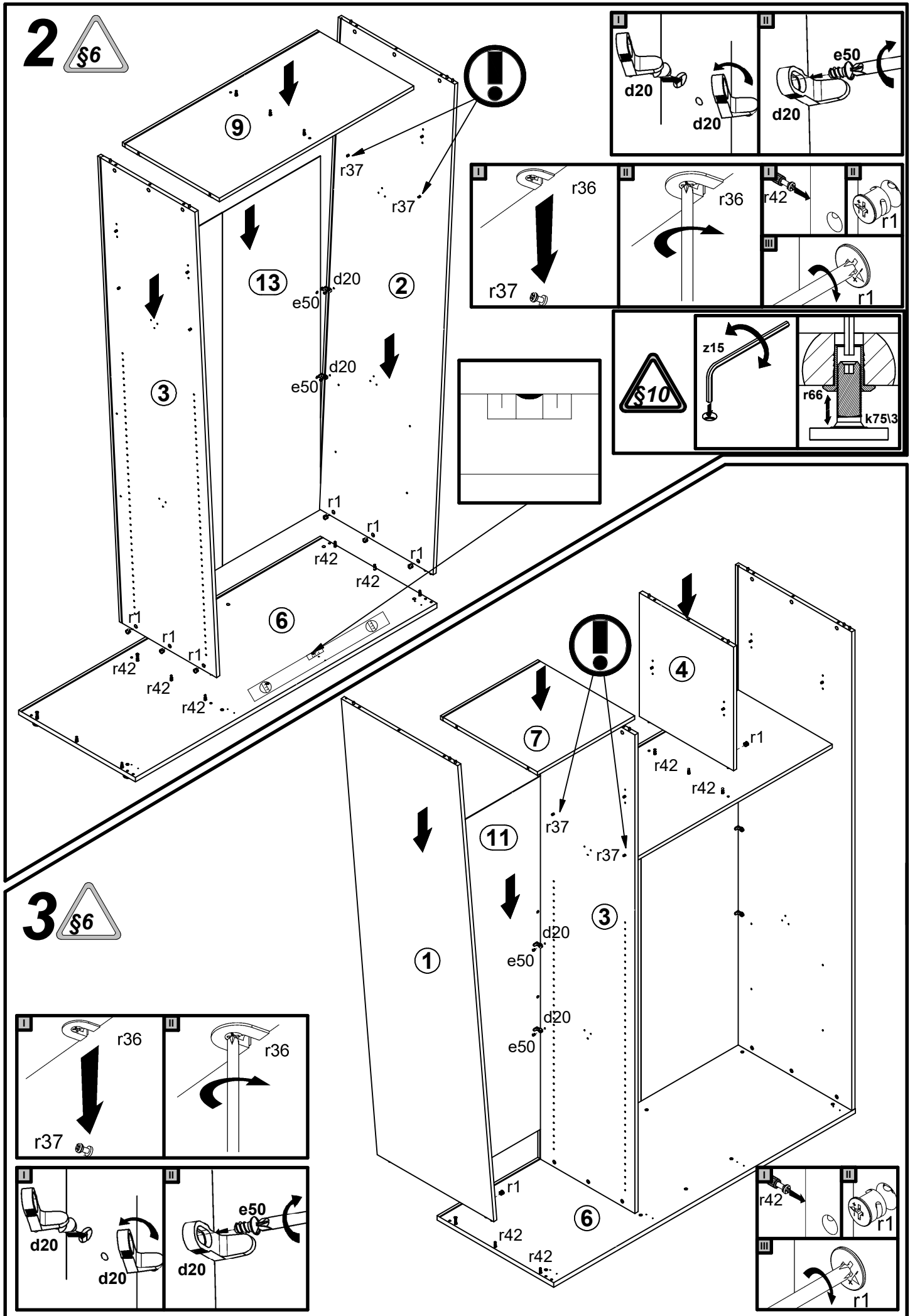
A	B	C	D	
17	w106/6	1667	76	1/1
18	w107/6	1667	53	1/1



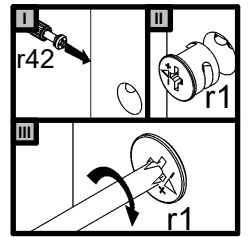
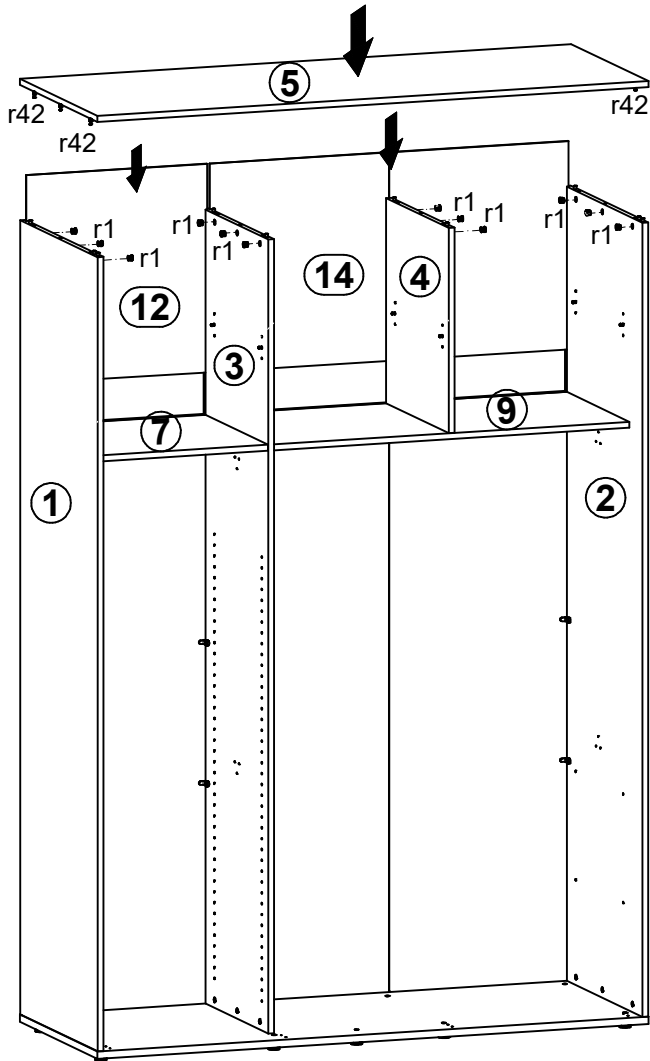
8x d20	12x Ø6x13 mm e3	8x Ø6.3x10 mm e50	20x Ø8x30 mm f1	4x g46	9x 32 mm k75/3	24x l2	16x Ø3.5x15 mm p51	24x Ø15x12 mm #16 r1
20x Ø20x12 mm #16 r36	20x 6.7/7.8 r37	24x 20/11 r42	9x Ø12xM10x17mm r66	24x Ø16 s2	9x Ø12x4 mm s41	1x 4 mm z15	1x 3 mm z22	
				2x 88x21x15/1.5 n14/2	4x Ø3.5x16 mm p38	2x Ø5x60 mm p17	2x Ø10x50 mm f35	

1 

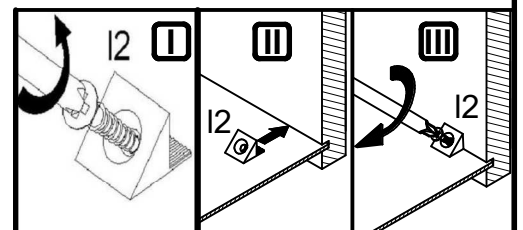
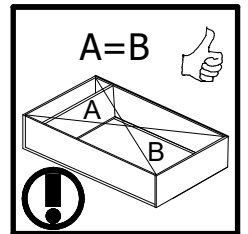
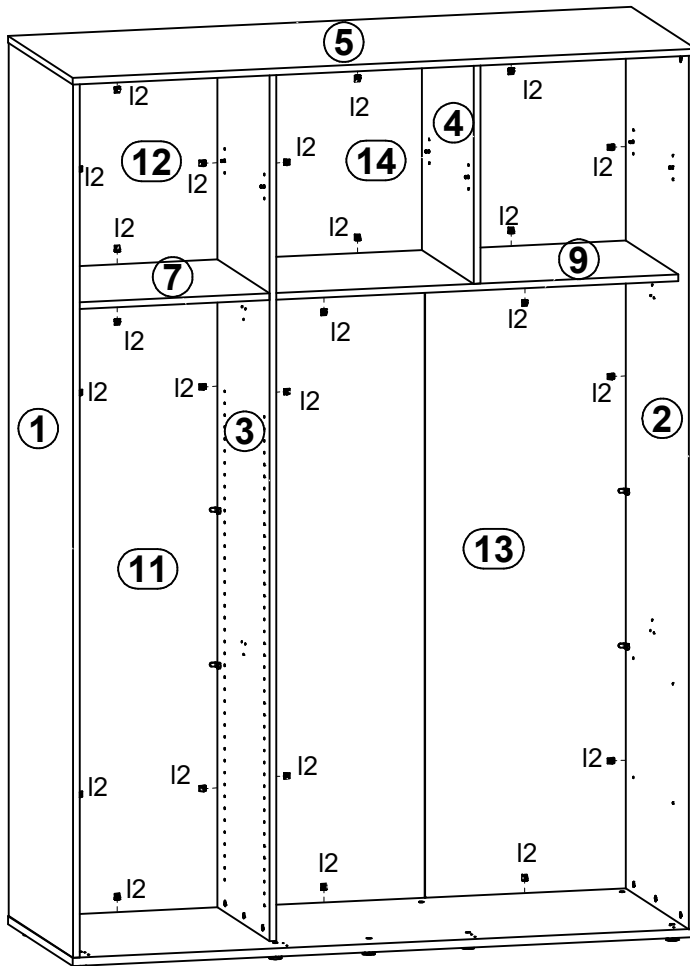




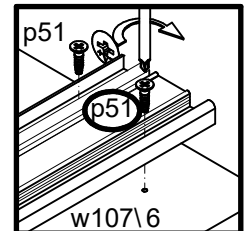
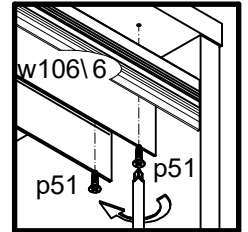
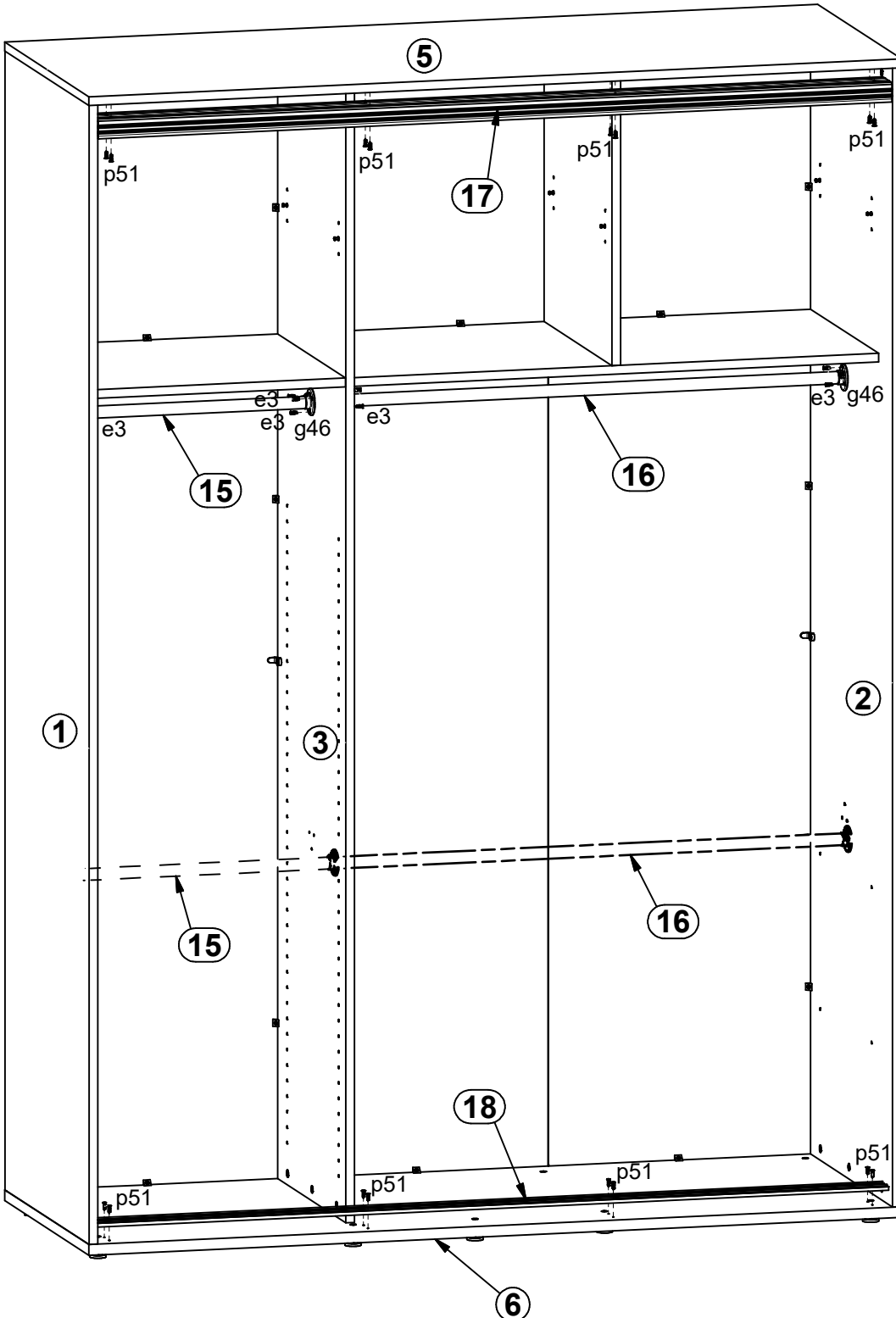
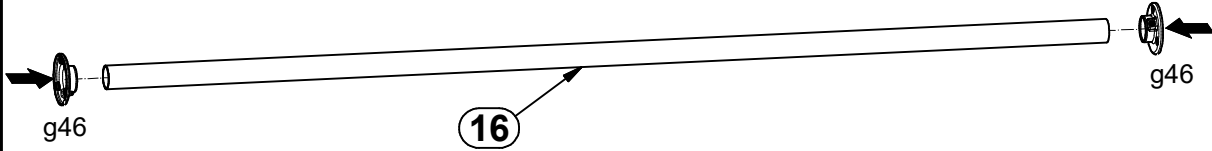
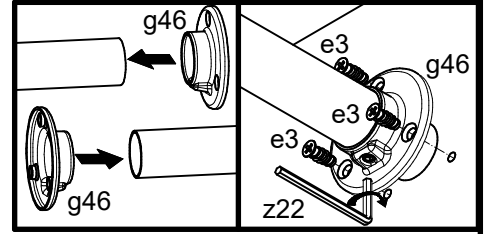
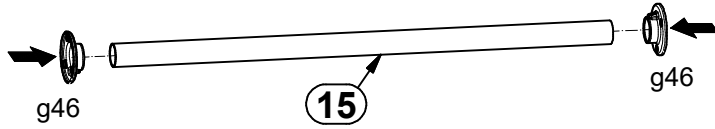
4 §6



5 §6



6



7 §6

