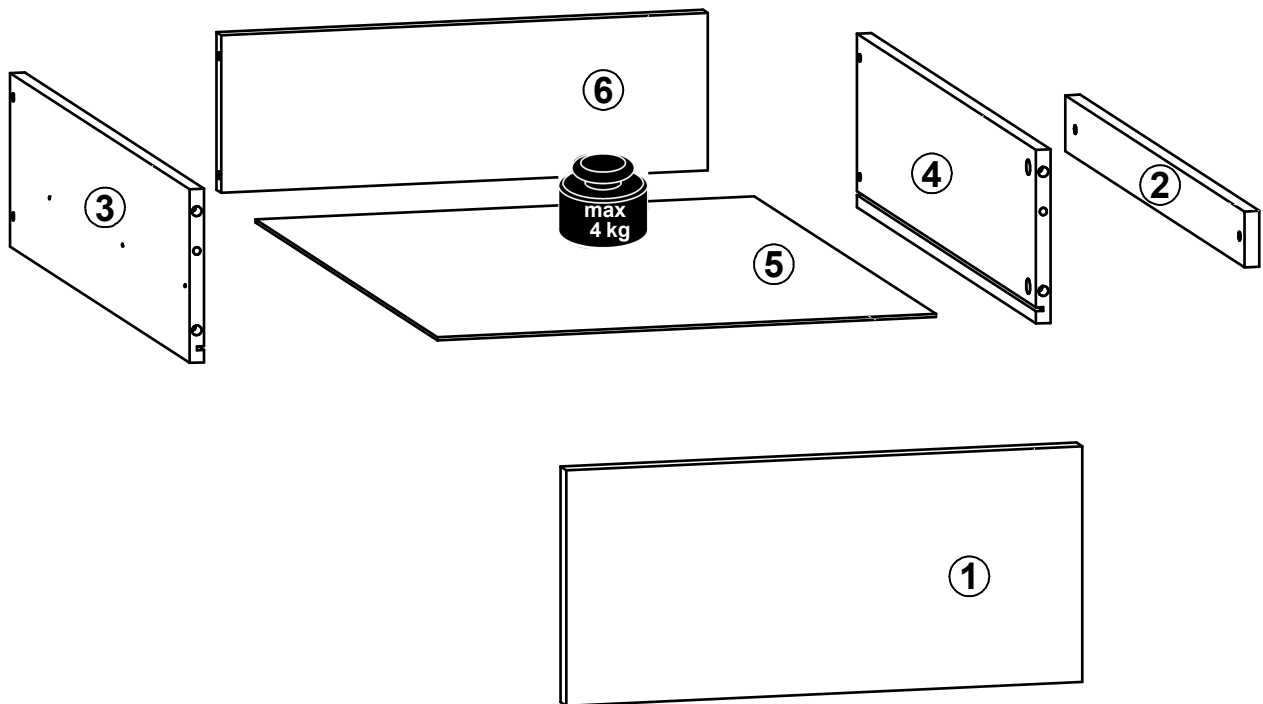
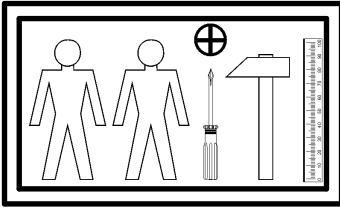
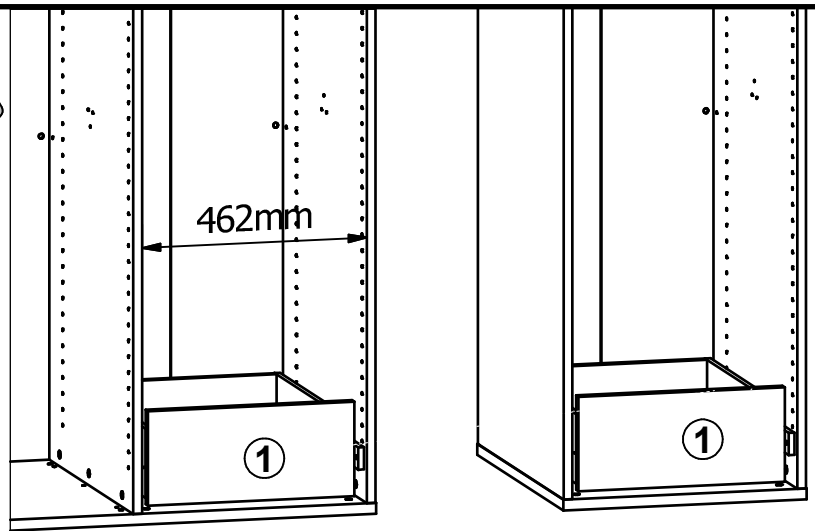


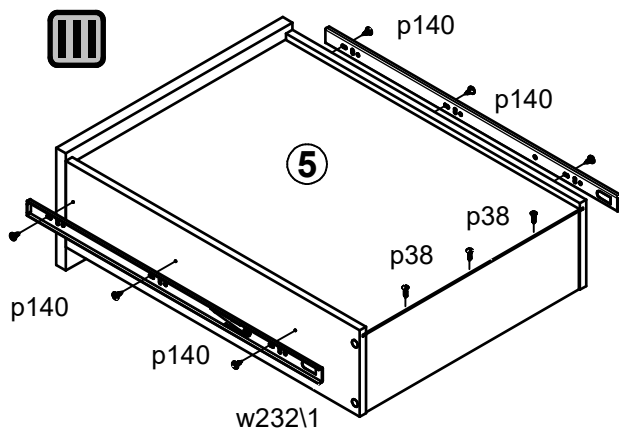
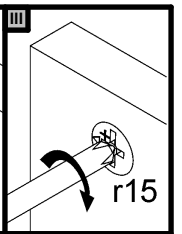
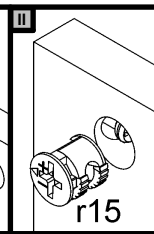
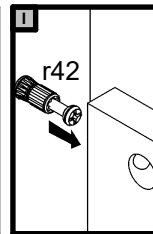
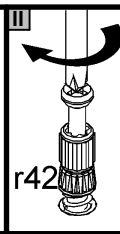
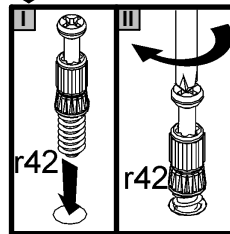
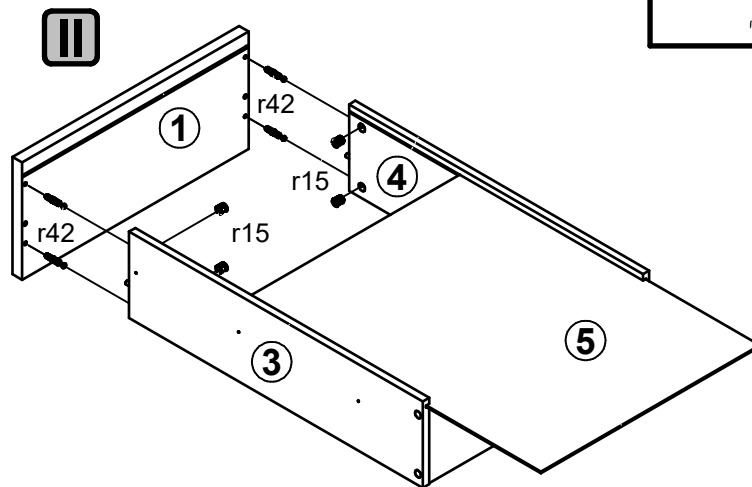
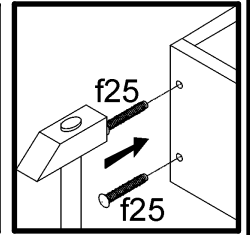
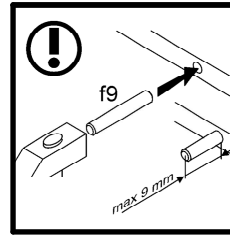
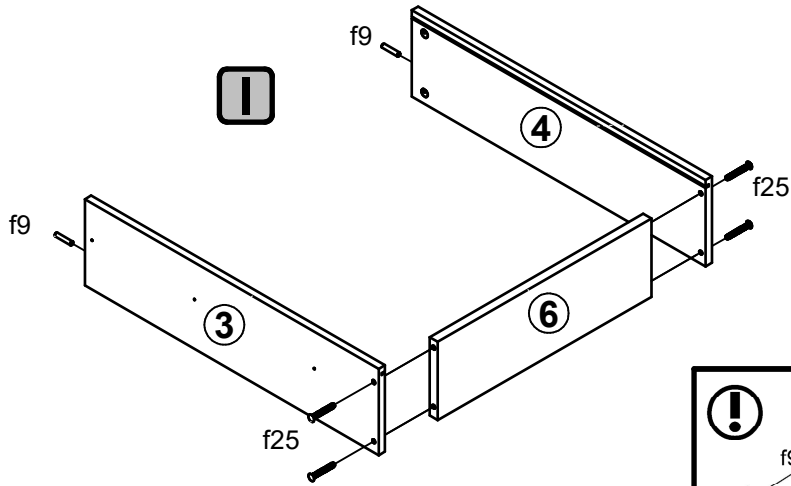
A**FLEX****F57-SZU1S/46/66**

A	B	C	D
1	F57-0137	424	190
2	F57-4008	550	45
3	F57-5014	550	140
4	F57-5015	550	140
5	F57-9032	410	557
6	ZK3-5054	400	127

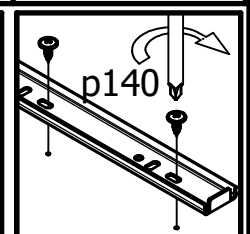
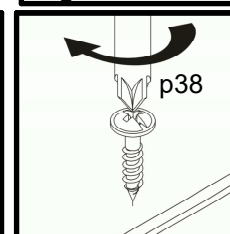
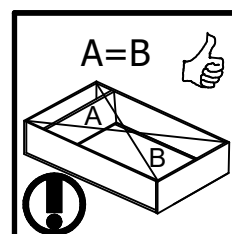
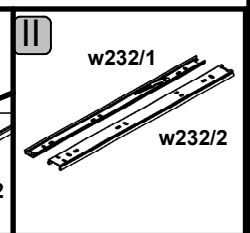
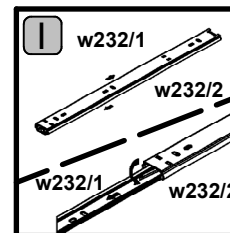


2x Ø6x13 mm e3	2x Ø6x28 mm e25	4x Ø6.5x40 mm f25	2x Ø6x30 mm f9	6x Ø3.5x12 mm p140	3x Ø3.5x16 mm p38	4x Ø12x10.5 mm #12 r15	4x r42 20/11	2x L-550 mm w232\2
2x L-550 mm w232\1								

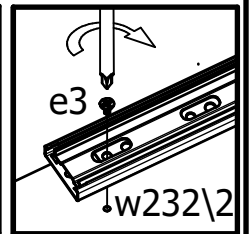
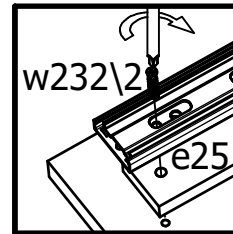
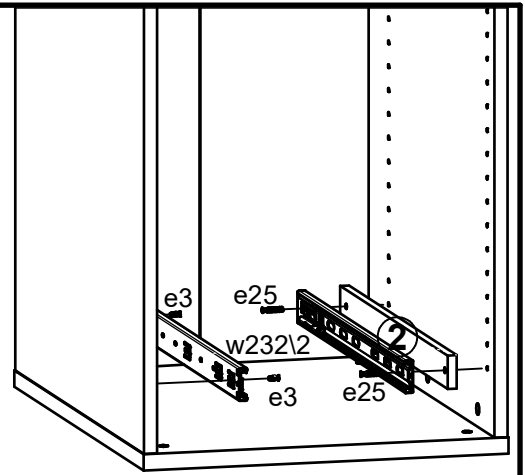
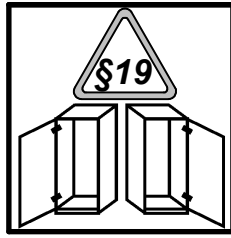
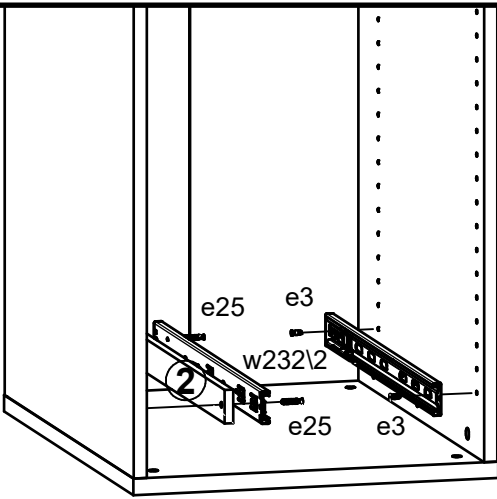
1 



w232/1



2



3

