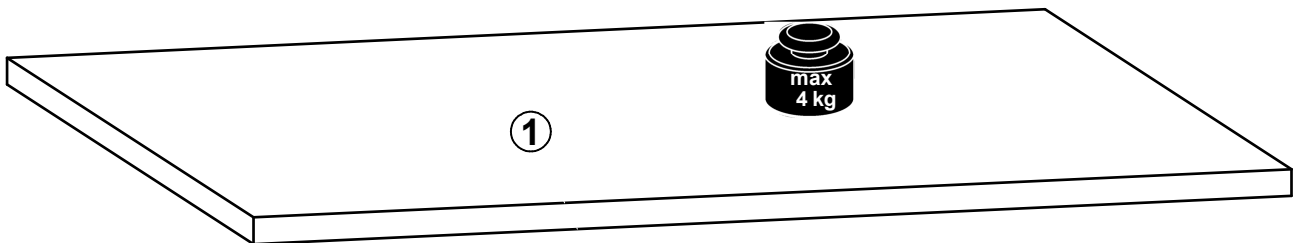
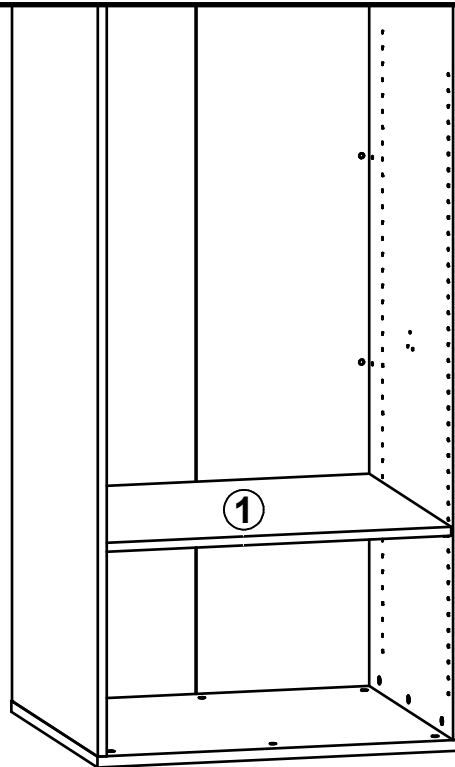
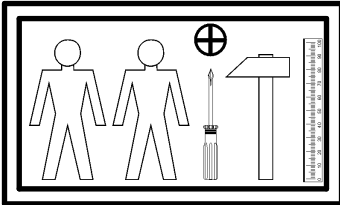


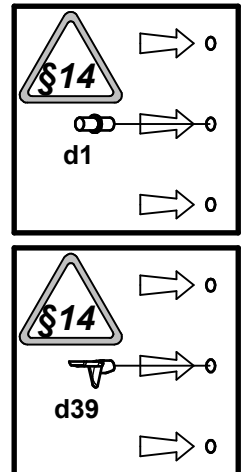
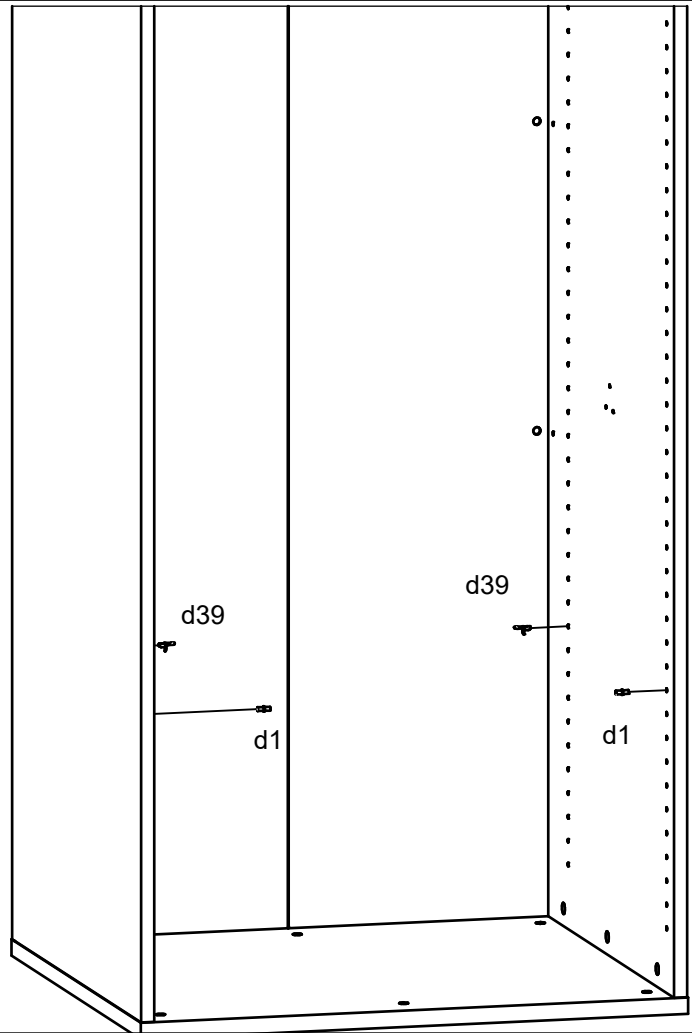
A**FLEX****F57-POL/71/66**

A	B	C	D
1	F57-3053	711	630 1/1



2x Ø5x17 mm d1	2x d39	2x Ø2.5x13 mm p15
----------------------	-----------	-------------------------

1



2

