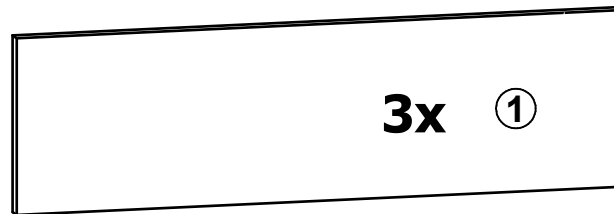
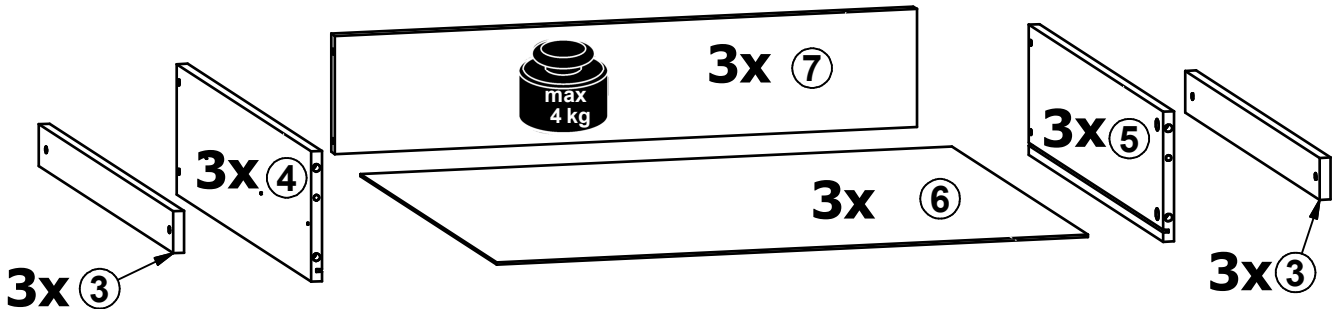
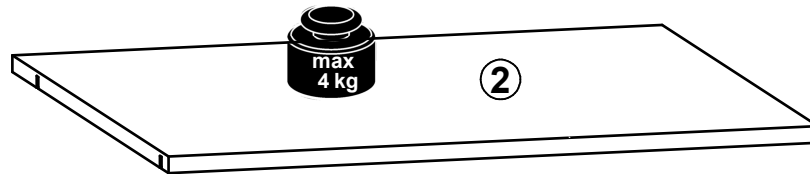
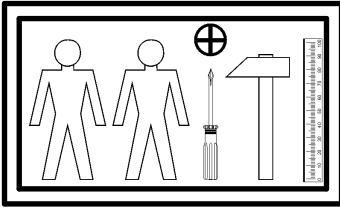
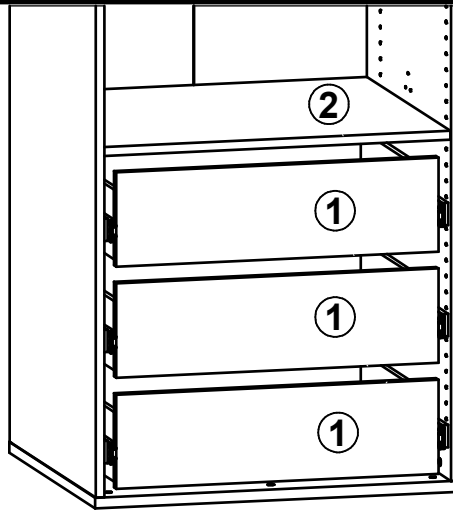


A

FLEX

F57-SZU3S/71/66

| A | B | C | D |
|---|----------|-----|-----|
| 1 | F57-0138 | 662 | 190 |
| 2 | F57-3082 | 712 | 638 |
| 3 | F57-4008 | 550 | 45 |
| 4 | F57-5014 | 550 | 140 |
| 5 | F57-5015 | 550 | 140 |
| 6 | F57-9034 | 648 | 557 |
| 7 | ZK3-5055 | 638 | 127 |



| | | | | | | | | |
|--------------------------|--------------------------|----------------------|---------------------------|--------------------------|-------------------------------|----------------------------|----------------------|---------------------|
| 12x Ø6x28 mm e25 | 12x Ø6.5x40 mm f25 | 6x Ø6x30 mm f9 | 18x Ø3.5x12 mm p140 | 12x Ø3.5x16 mm p38 | 12x Ø12x10.5 mm #12 r15 | 4x Ø20x12 mm #16 r36 | 4x 6.7/7.8 r37 | 12x 20/11 r42 |
| 6x L 550 mm w232/1 | 6x L 550 mm w232/2 | 3x 550 mm t42 | 3x Ø3.5x16 mm p25 | 3x Ø3.5x10 mm p35 | | | | |

1 

