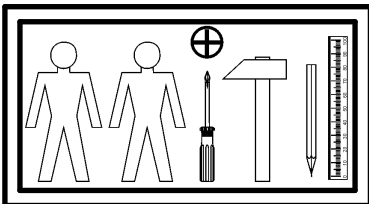
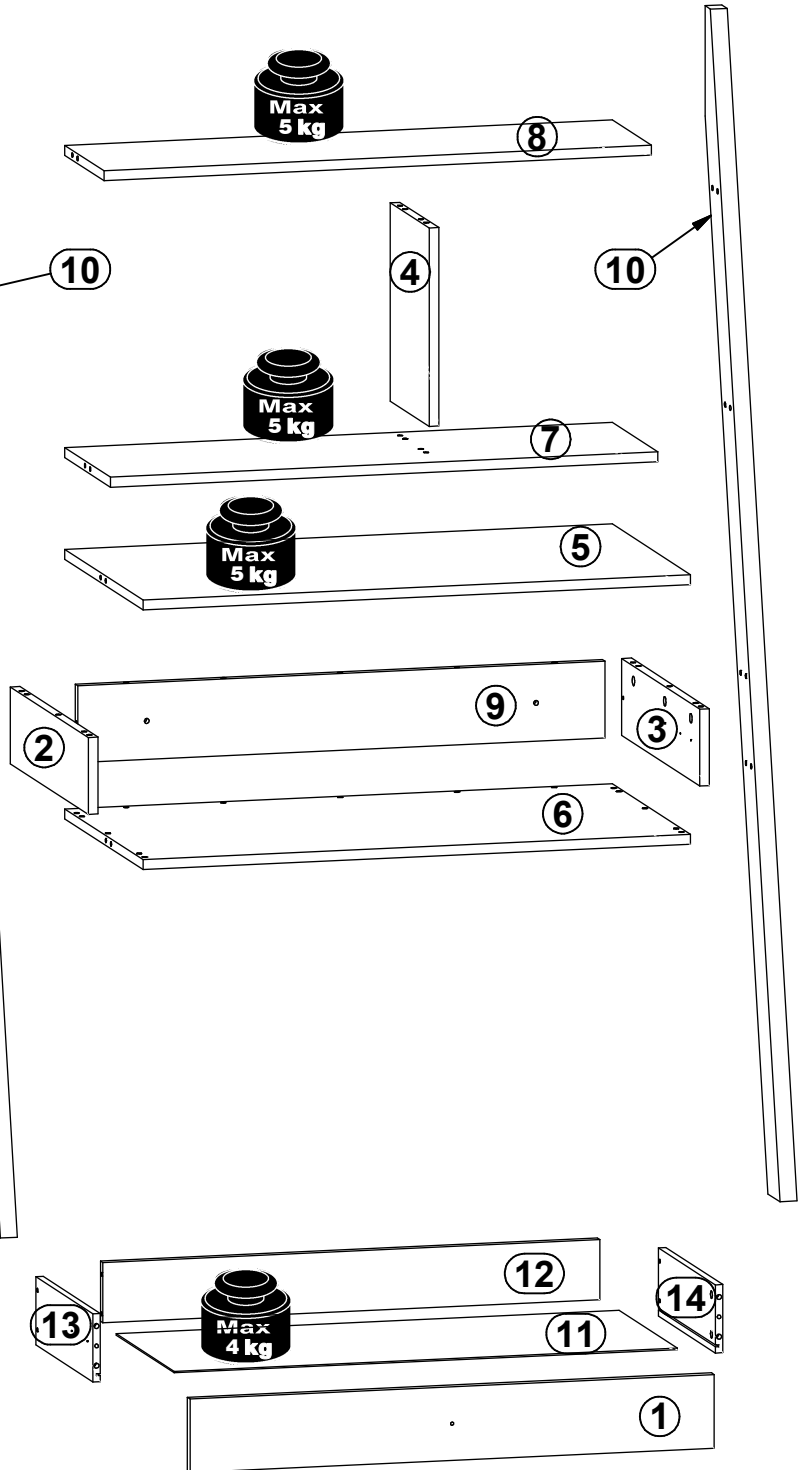
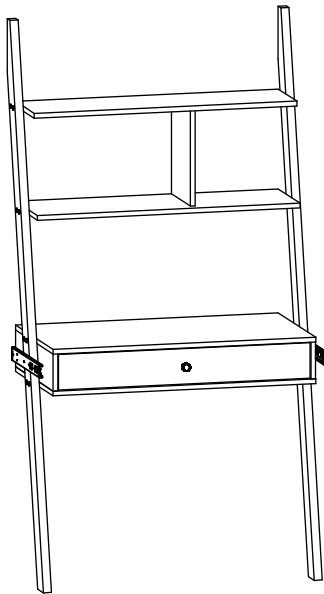
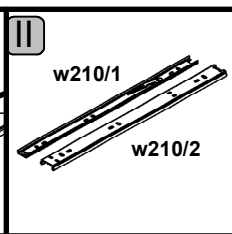
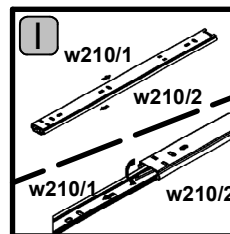
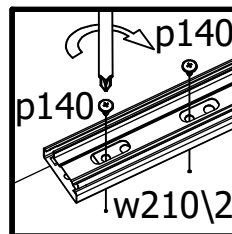
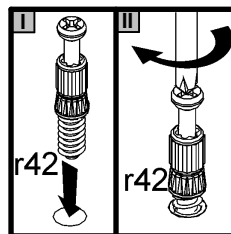
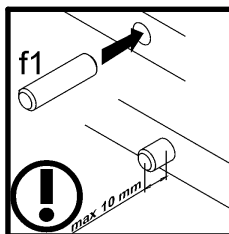
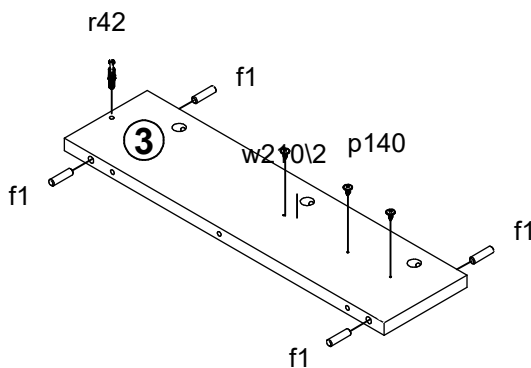
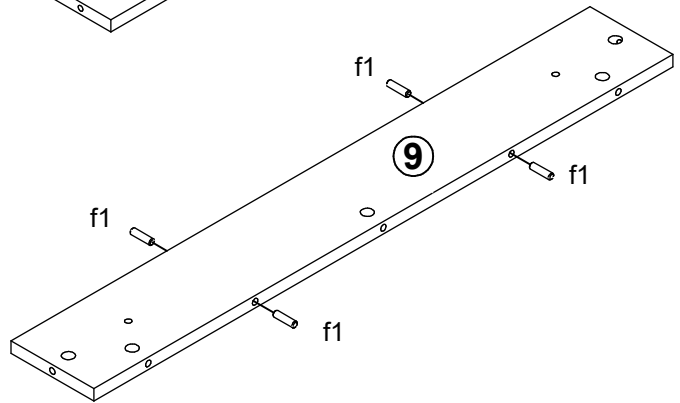
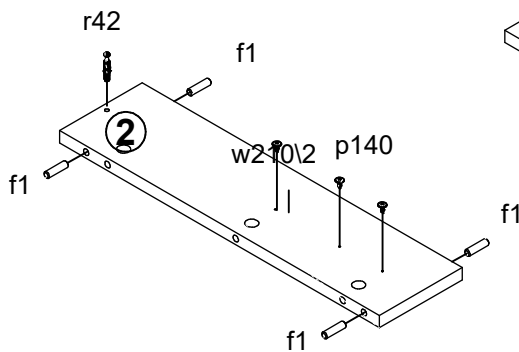
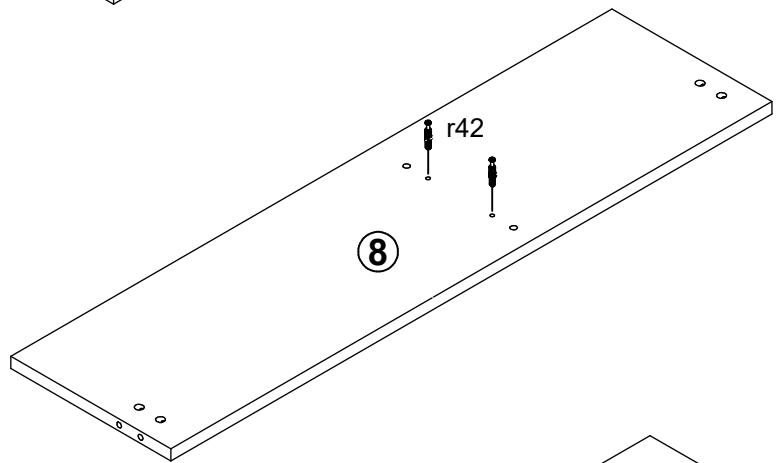
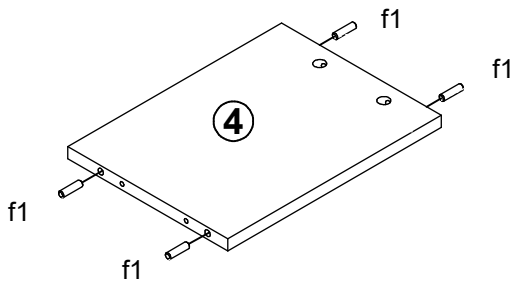
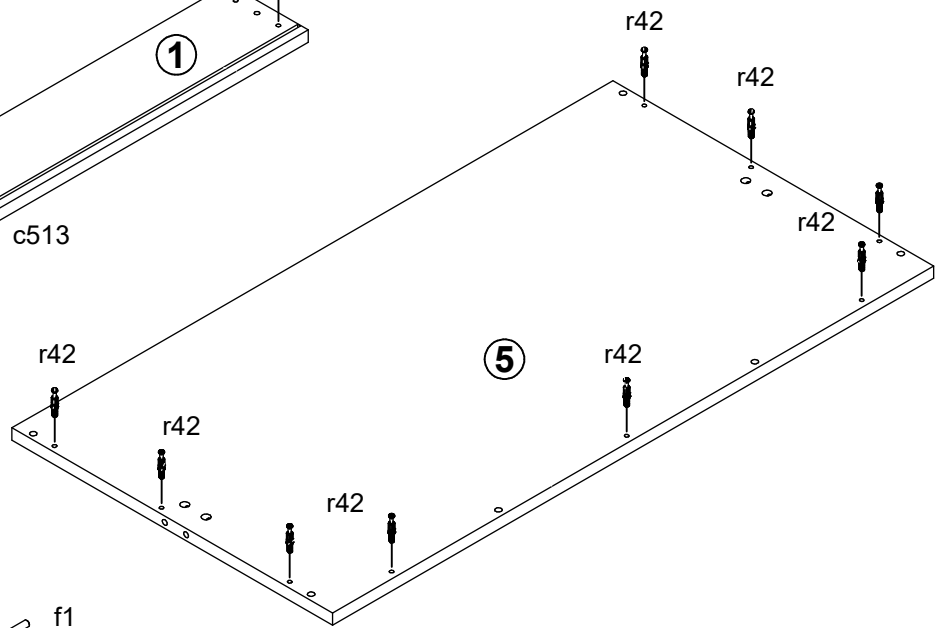
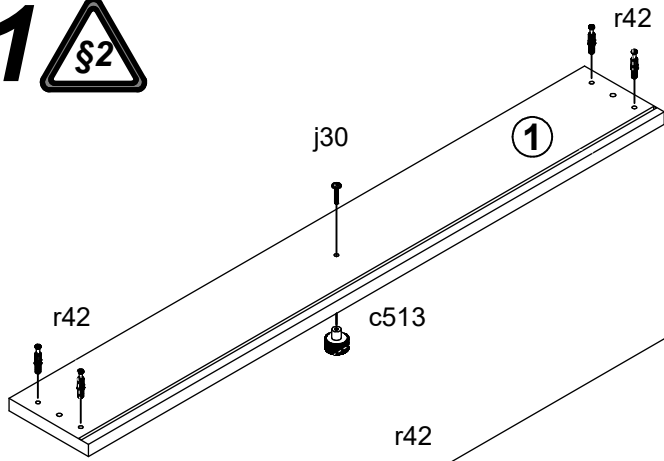


A	B	C	D	
1	B13-0001	862	119	1/2
2	B13-1001	124	479	1/2
3	B13-1002	124	479	1/2
4	B13-1003	320	239	1/2
5	B13-2001	900	480	1/2
6	B13-2002	900	480	1/2
7	B13-3001	900	280	1/2
8	B13-3002	900	240	1/2
9	B13-4001	867	124	1/2
10	B13-5001	1906	72	2/2
11	B13-9001	827	357	1/2
12	ZK3-5132	817	97	1/2
13	ZK4-523	350	110	1/2
14	ZK4-524	350	110	1/2

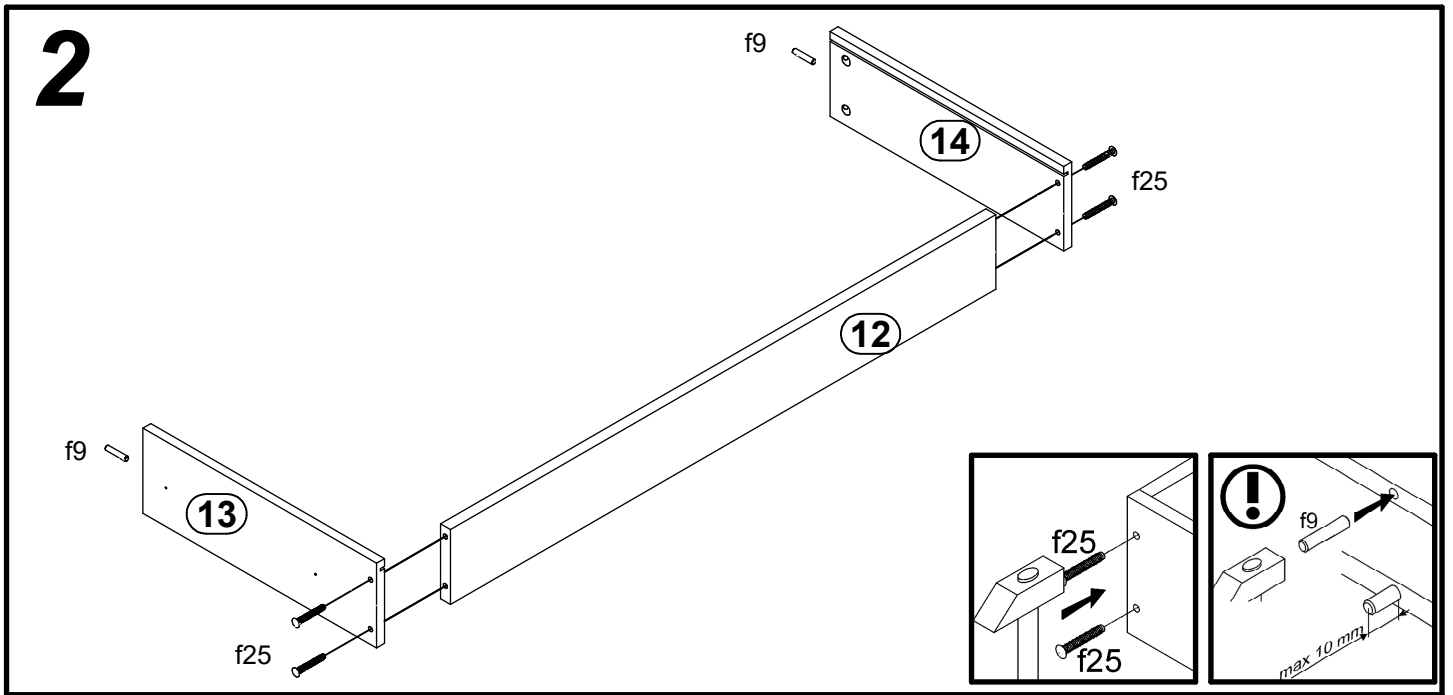


1x c513	11x Ø7x50 mm e1	16x Ø8x30 mm f1	4x Ø6.5x40 mm f25	2x Ø10x50 mm f35	2x Ø6x30 mm f9	16x M6x70 mm j171	1x M4x22 mm j30	2x Ø20x3mm k103
12x Ø3.5x12 mm p140	2x Ø5x60 mm p17	1x Ø3.5x16 mm p25	1x Ø3.5x10 mm p35	6x Ø3.5x16 mm p38	13x Ø15x12 mm #16 r1	4x Ø12x10.5 mm #12 r15	17x 20/11 r42	16x Ø10x13 mm r51
1x 350 mm t35	2x L=350 mm w210\1	2x L=350 mm w210\2	2x Ø 20mm s68	1x 4 mm z1				

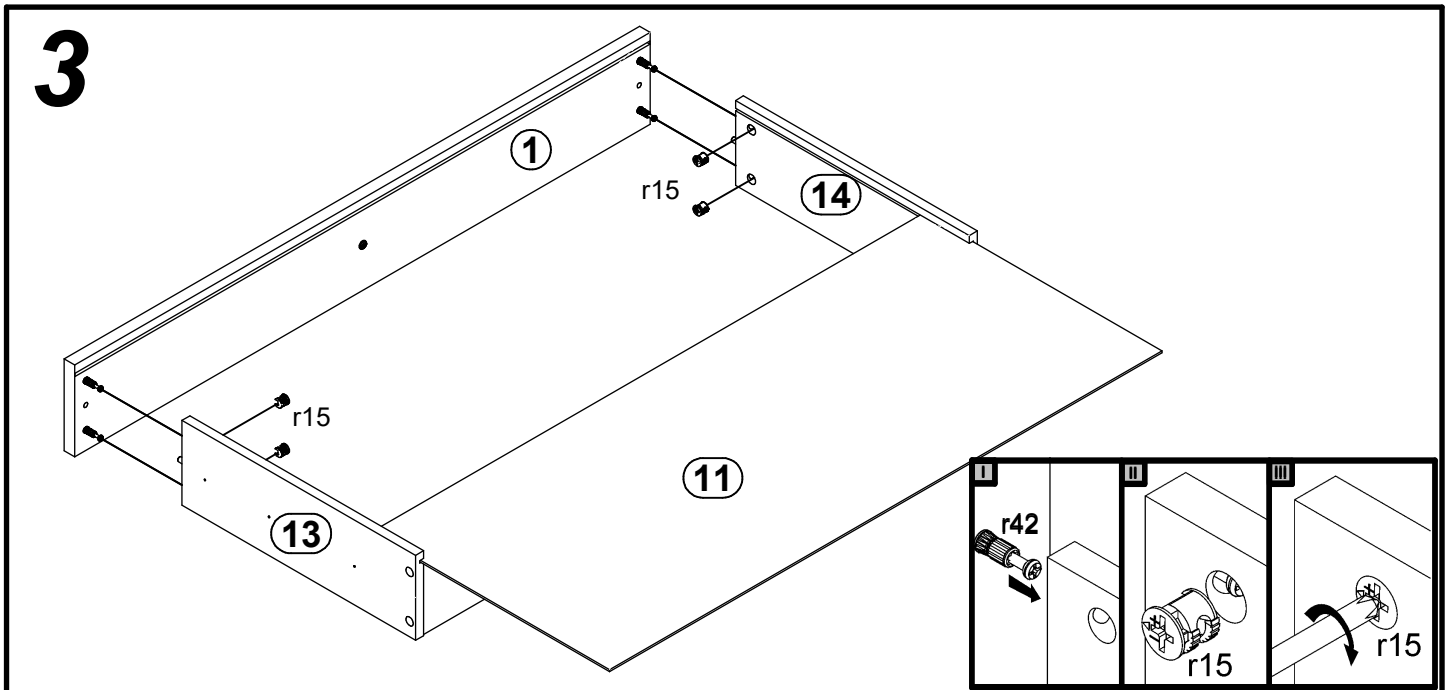
1 



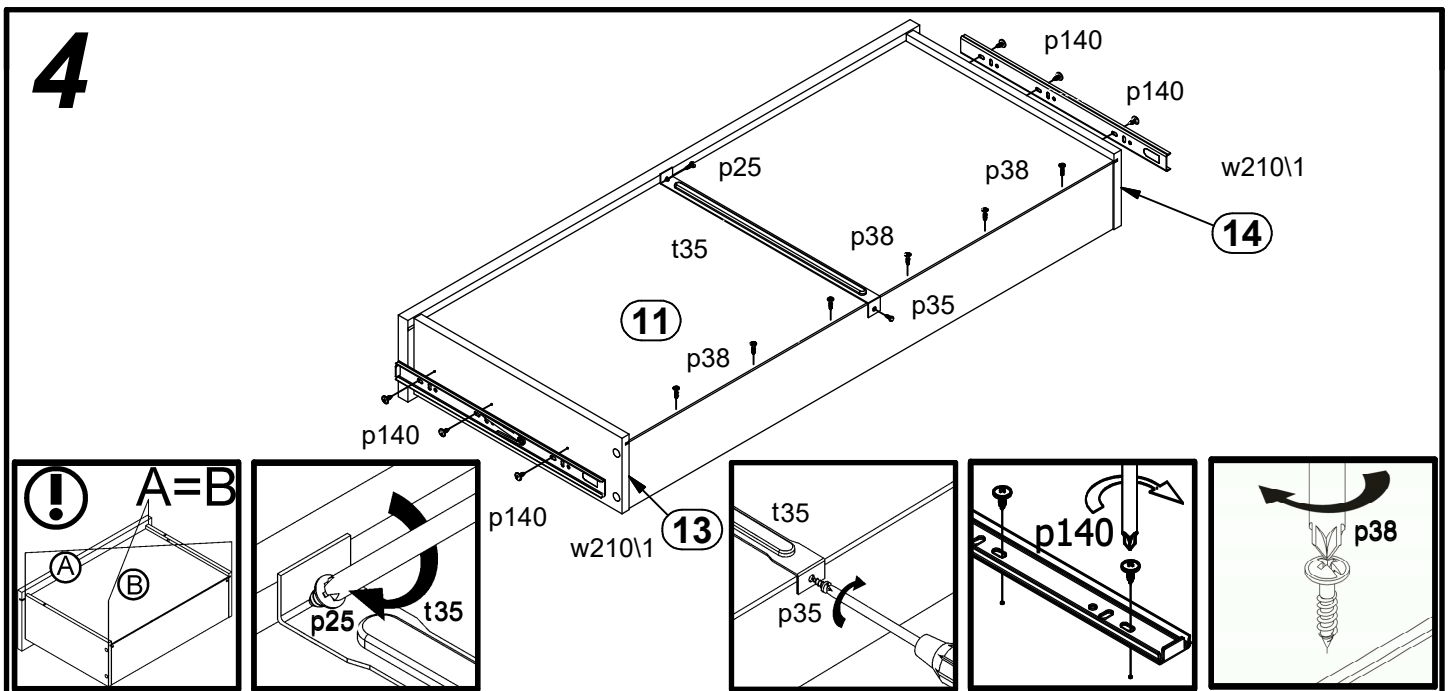
2



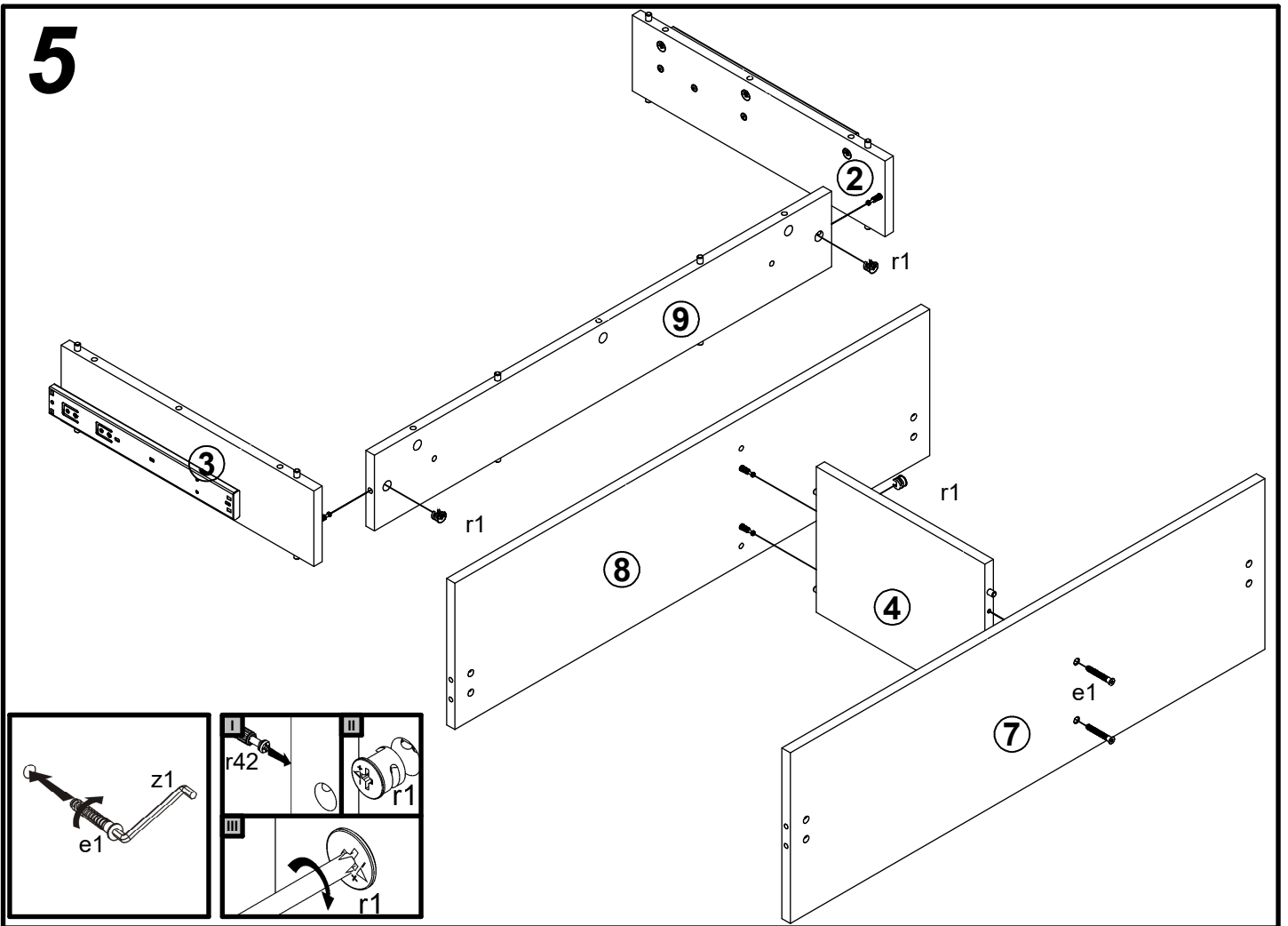
3



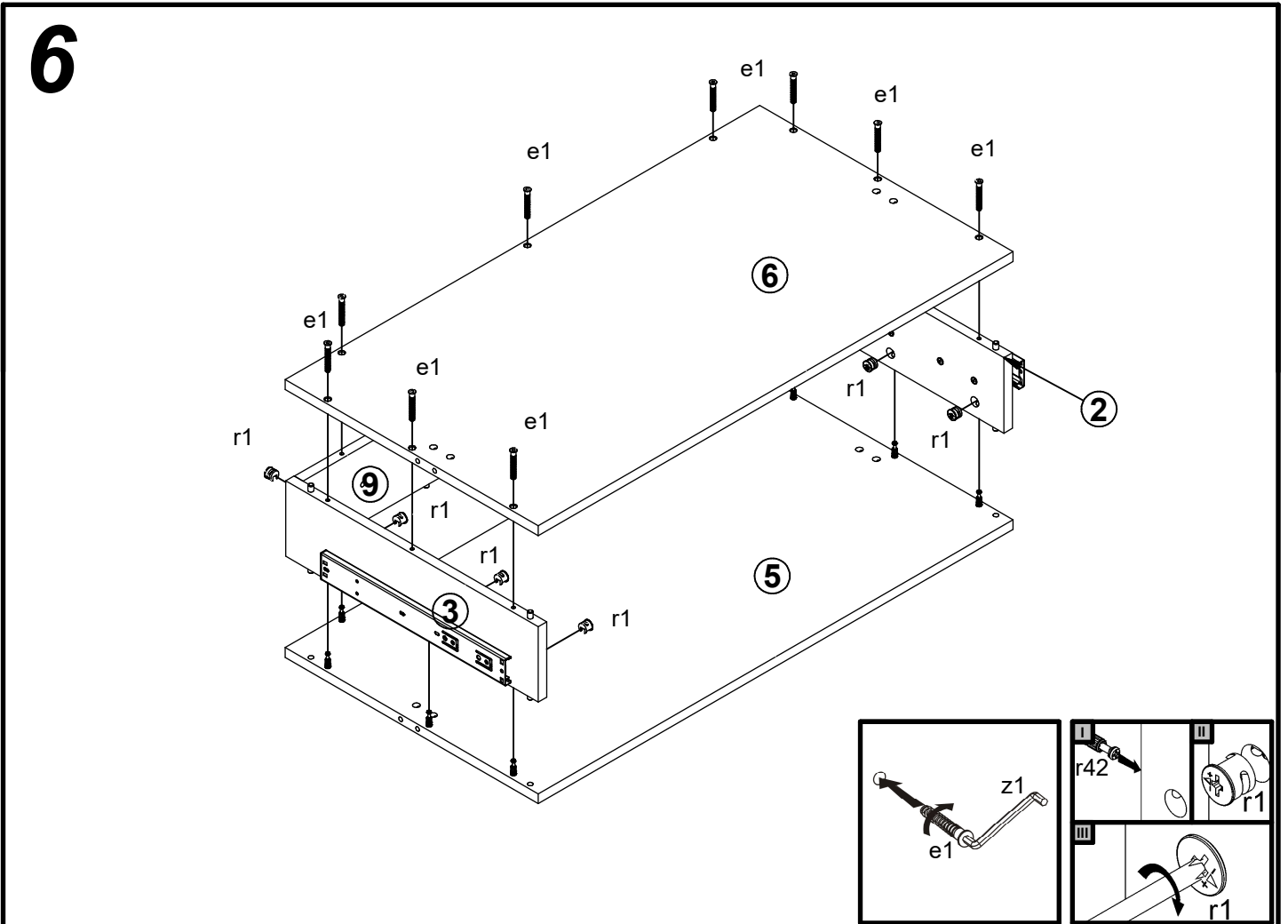
4



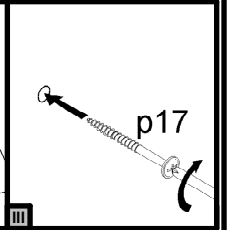
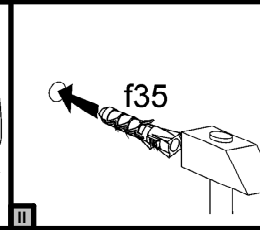
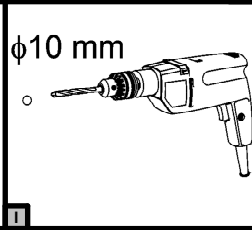
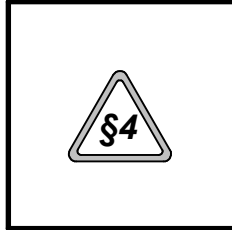
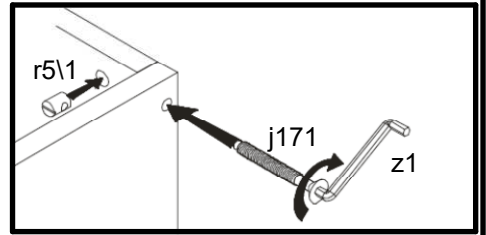
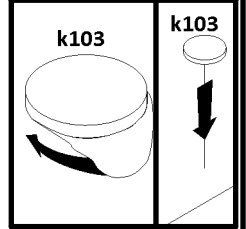
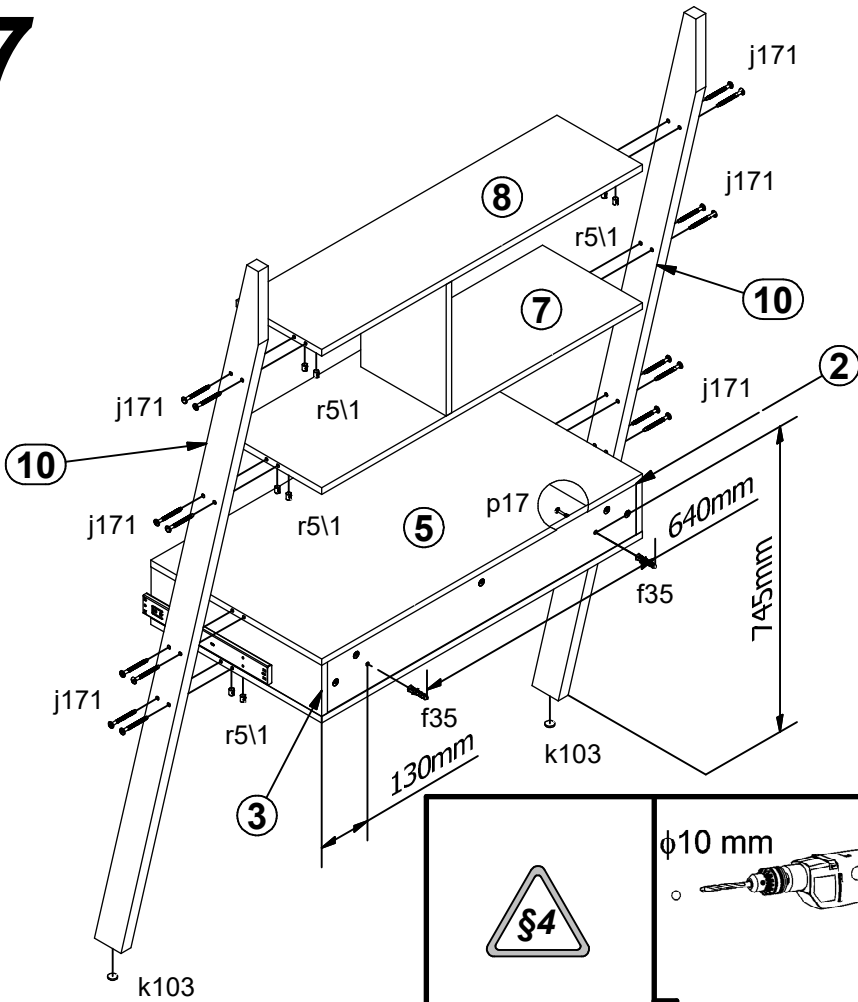
5



6



7



8

