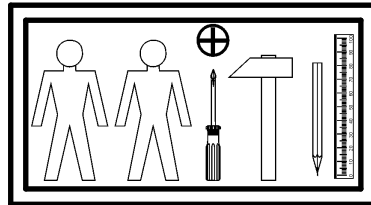
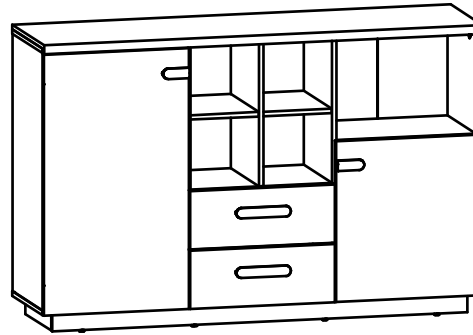
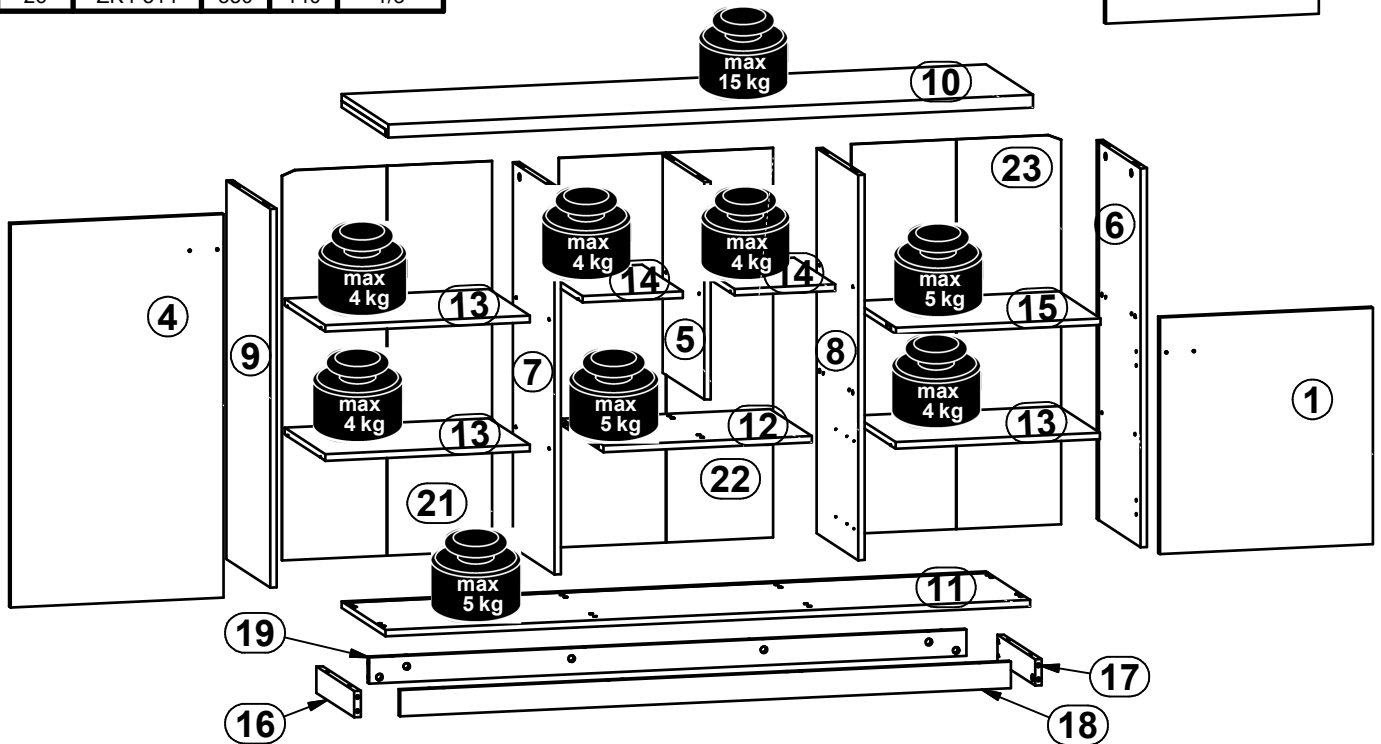
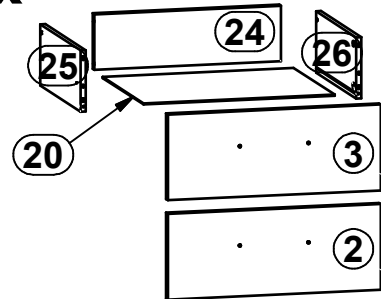


A	B	C	D	
1	S464-0004	540	496	3/3
2	S464-0005	496	196	3/3
3	S464-0006	496	196	3/3
4	S464-0007	876	496	3/3
5	S464-1004	497	360	2/3
6	S464-1005	865	382	1/3
7	S464-1006	880	362	1/3
8	S464-1007	880	362	1/3
9	S464-1008	865	382	1/3
10	S464-2003	1501	407	2/3
11	S464-2004	1501	382	2/3
12	S464-3004	485	361	2/3
13	S464-3005	476	356	2/3
14	S464-3006	234	356	2/3
15	S464-3008	477	361	2/3
16	S464-4003	329	60	2/3
17	S464-4004	329	60	2/3
18	S464-4005	1422	60	2/3
19	S464-4006	1391	60	2/3
20	S464-9004	445	357	3/3
21	S464-9301	890	489	3/3
22	S464-9302	890	499	3/3
23	S464-9305	890	489	3/3
24	ZK3-5093	435	127	2/3
25	ZK4-513	350	140	1/3
26	ZK4-514	350	140	1/3

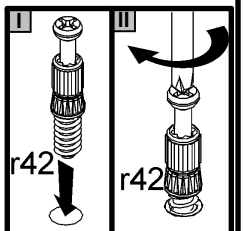
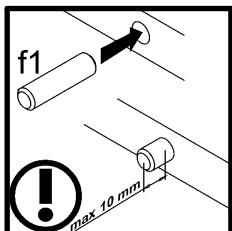
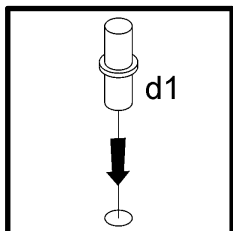
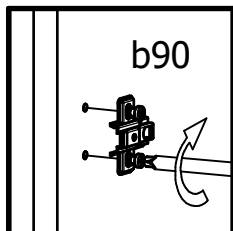
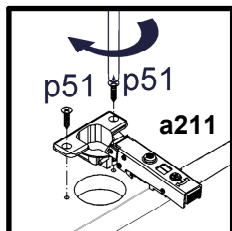
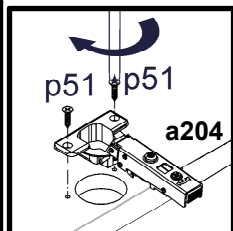
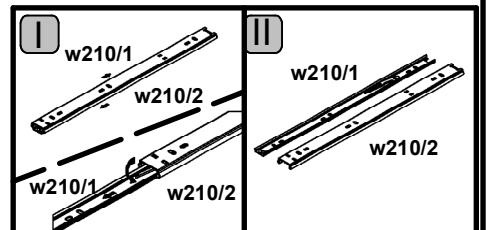
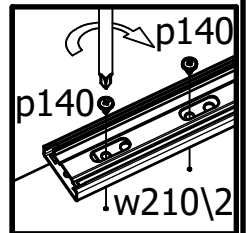
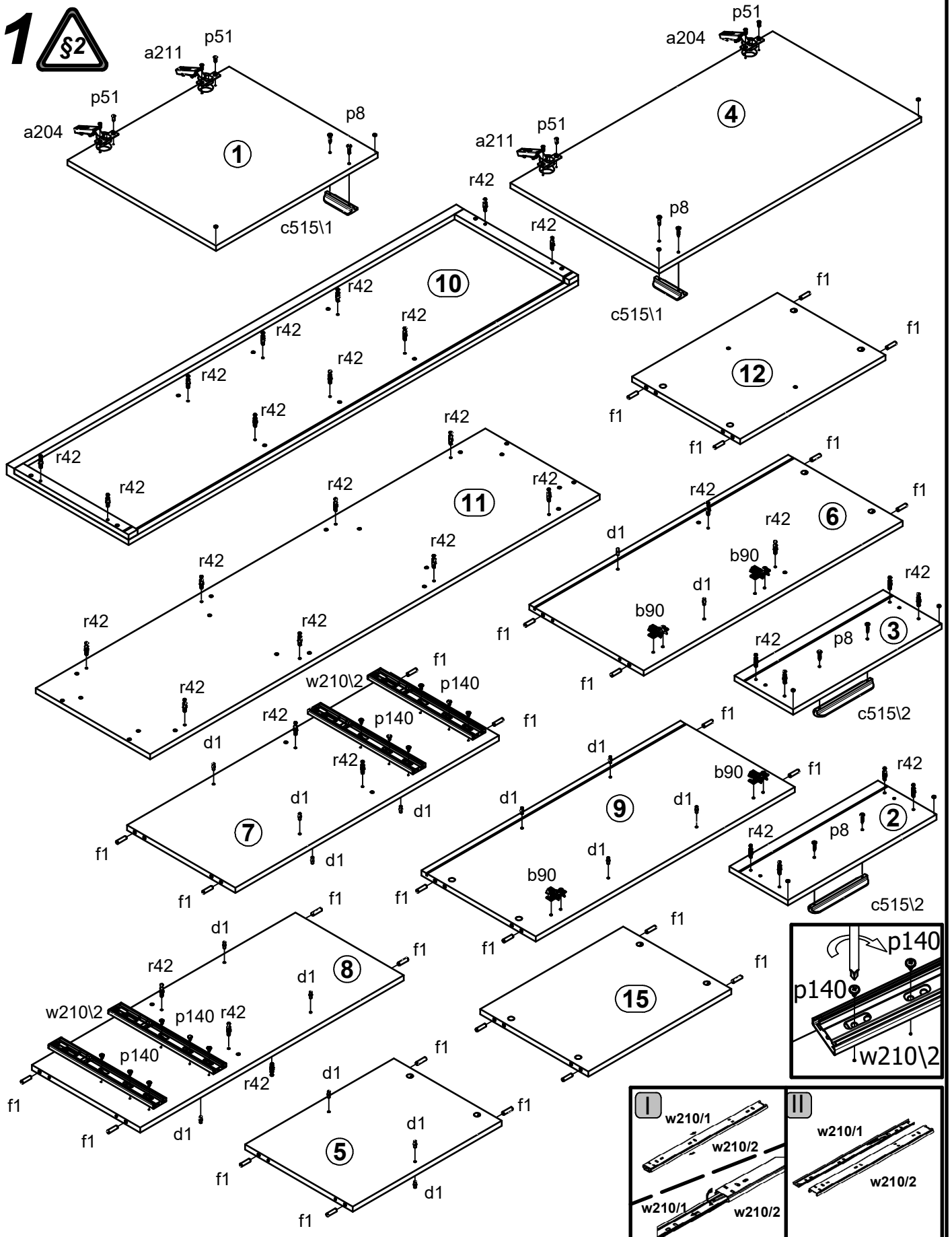


2x

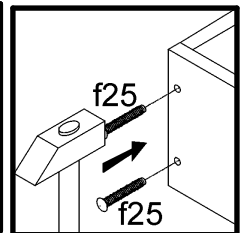
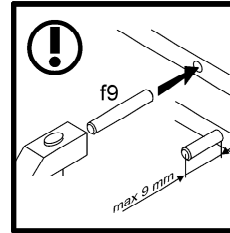
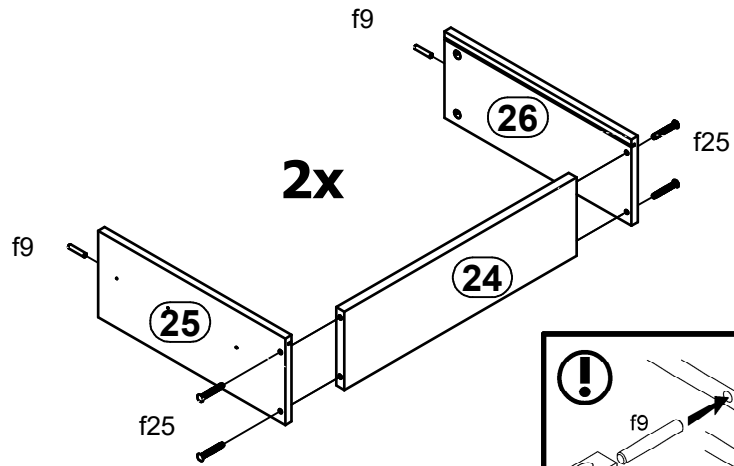


2x Ø35 a204	2x Ø35 a211	4x b90	2x 64mm c515\1	2x 160mm c515\2	20x Ø5x17 mm d1	10x Ø7x50 mm e1	44x Ø8x30 mm f1	4x Ø6x30 mm f9
8x Ø6,5x40 mm f25	8x k1	10x l2	8x 22x9,5x20,7 mm n108	8x silikon o21	8x Ø4x25 mm p8	7x Ø3,5x16 mm p38	8x Ø3,5x15 mm p51	14x Ø2,9x16 mm p55
24x Ø3,5x12 mm p140	30x Ø15x12 mm #16 r1	8x Ø12x10,5 mm #12 r15	38x 20/11 r42	4x L-300mm w210\1	4x L-350 mm w210\2	10x Ø 20mm s68	1x 4 mm z1	1x n26\1

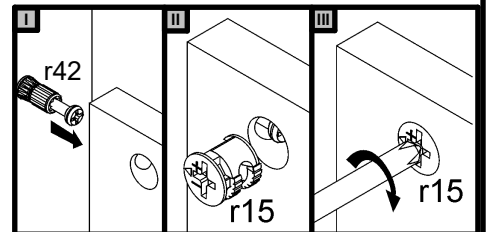
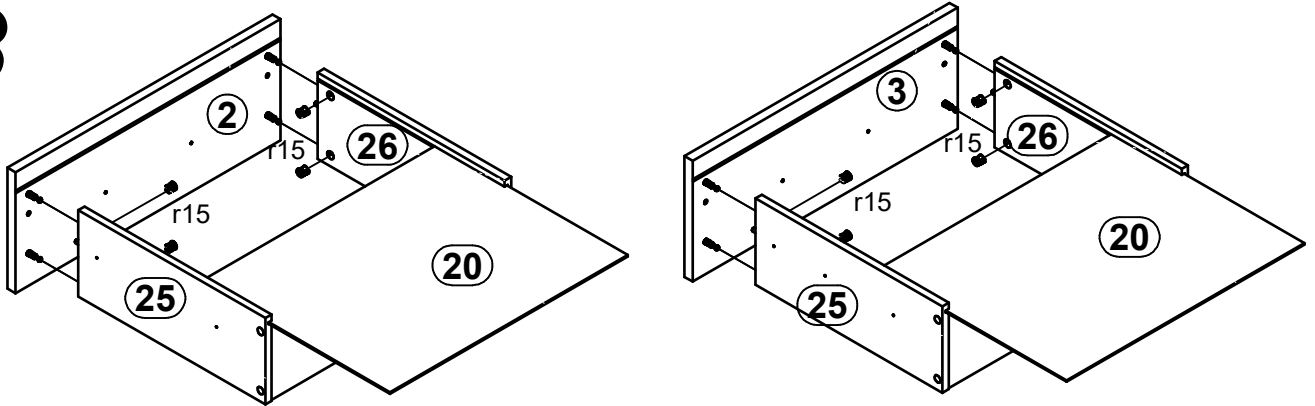
1 



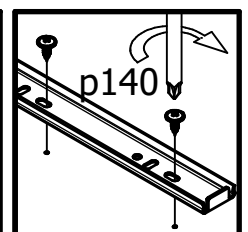
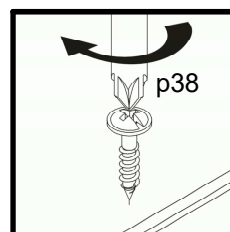
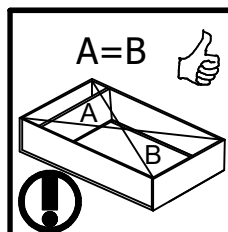
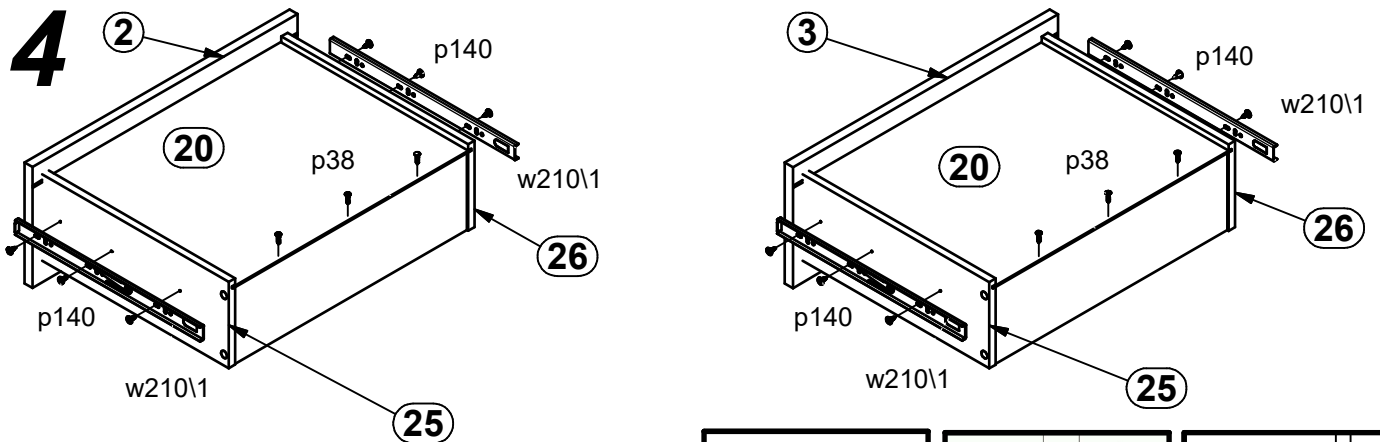
2



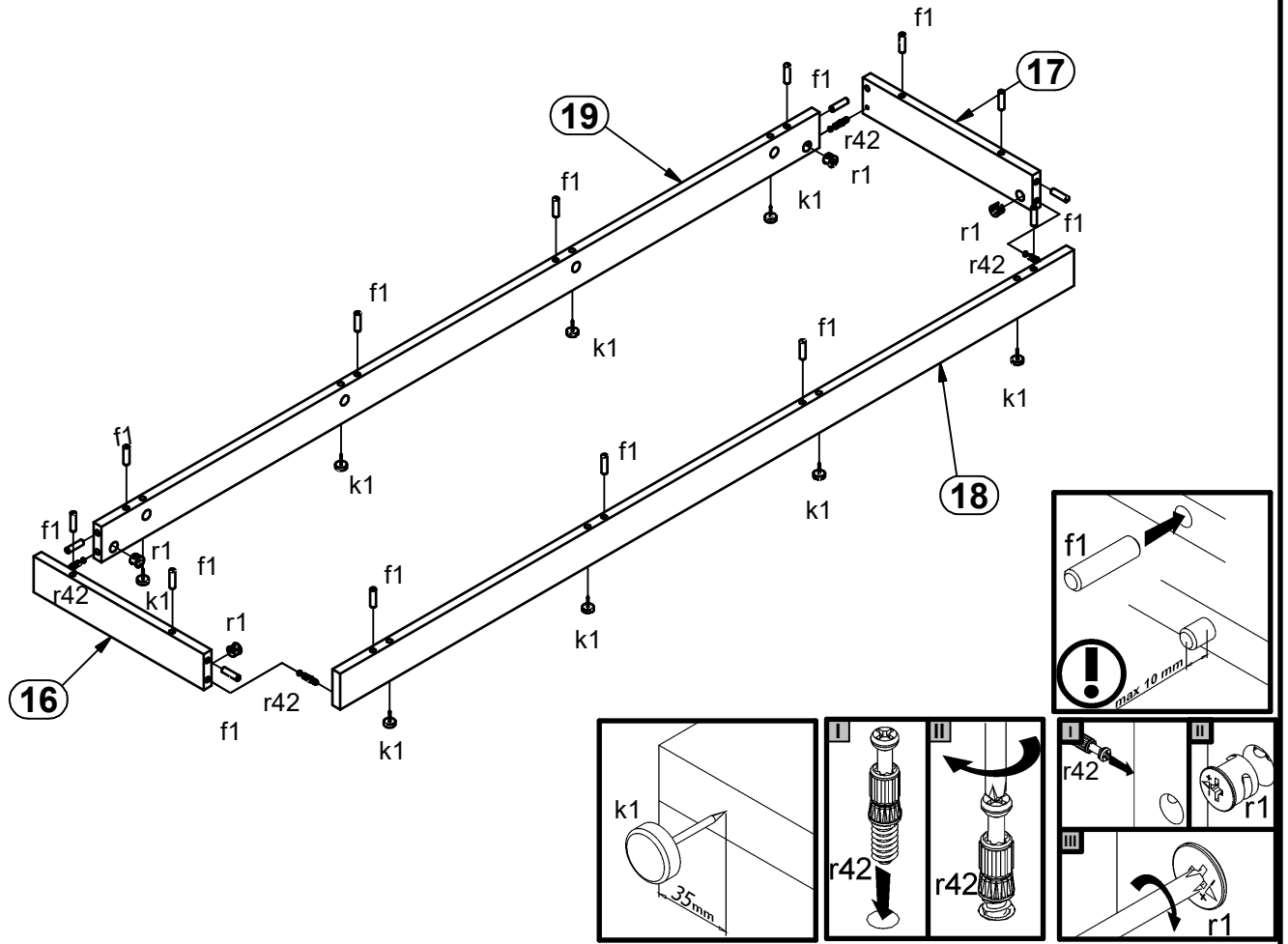
3



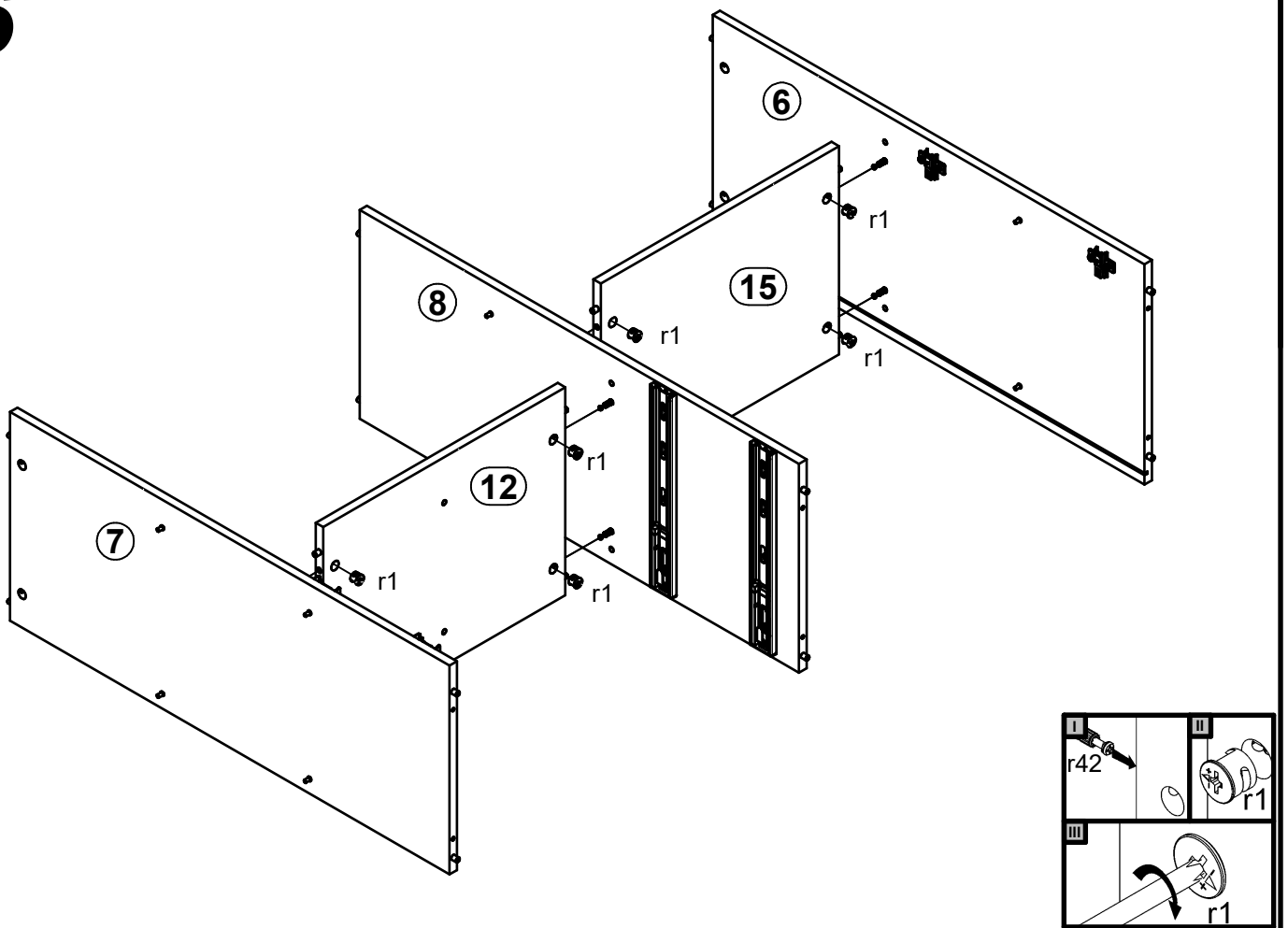
4



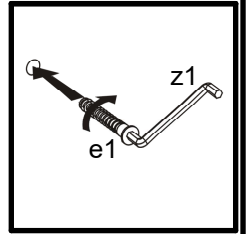
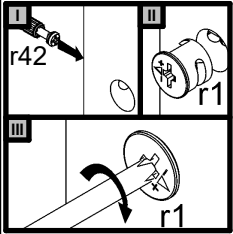
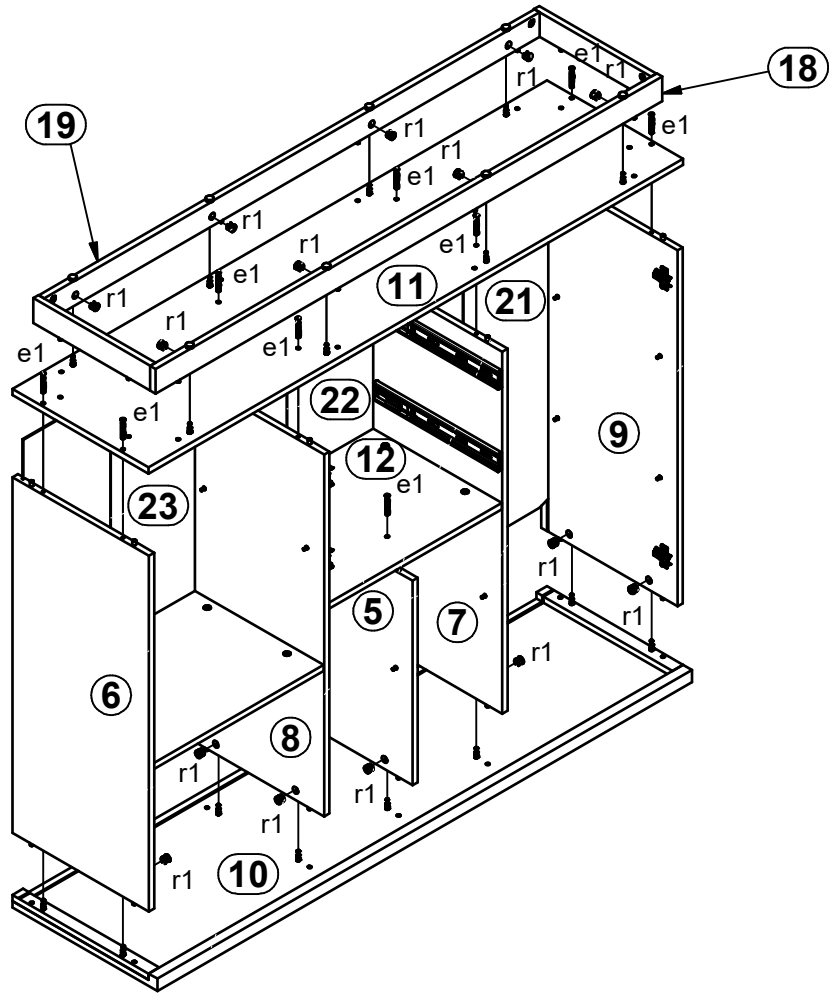
5



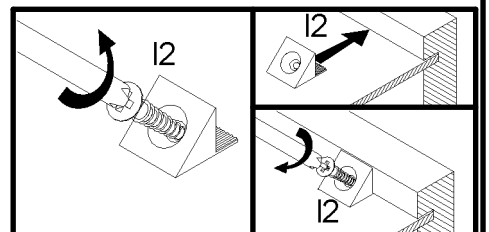
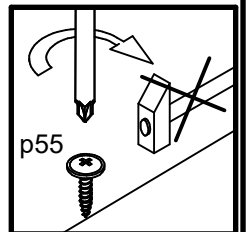
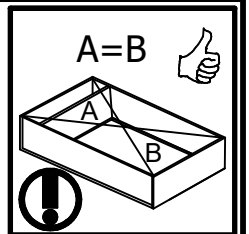
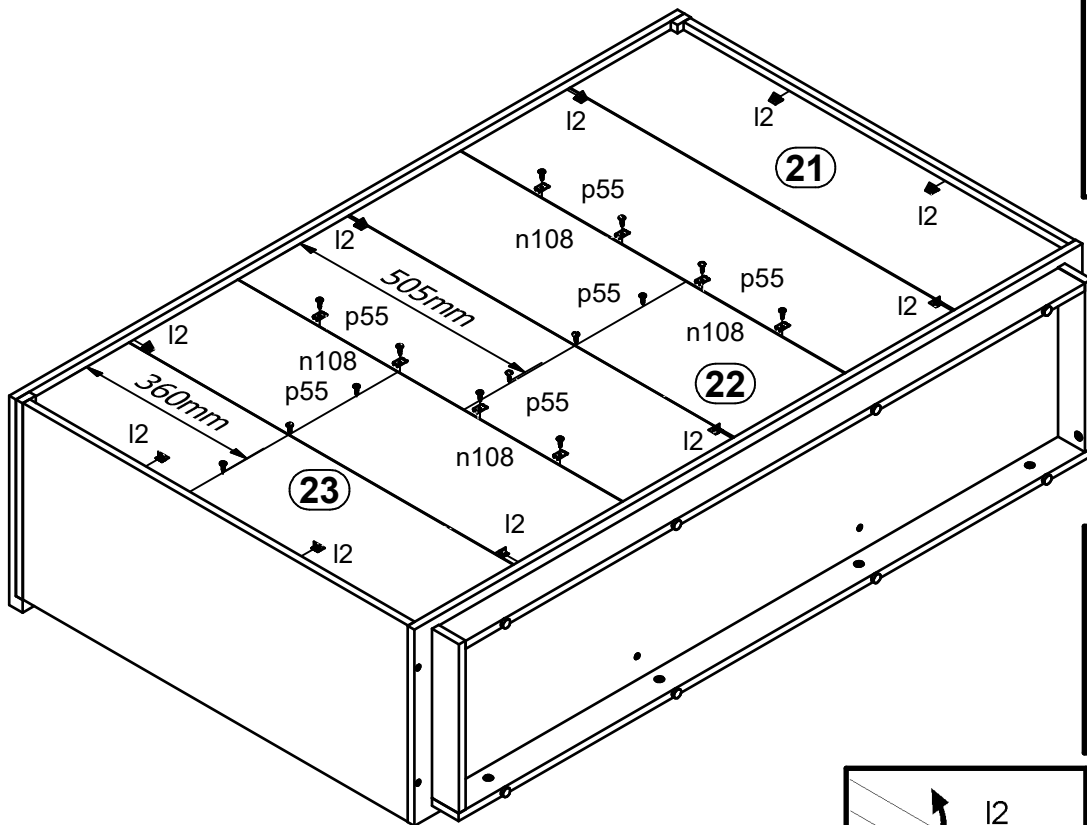
6



7



8



9

