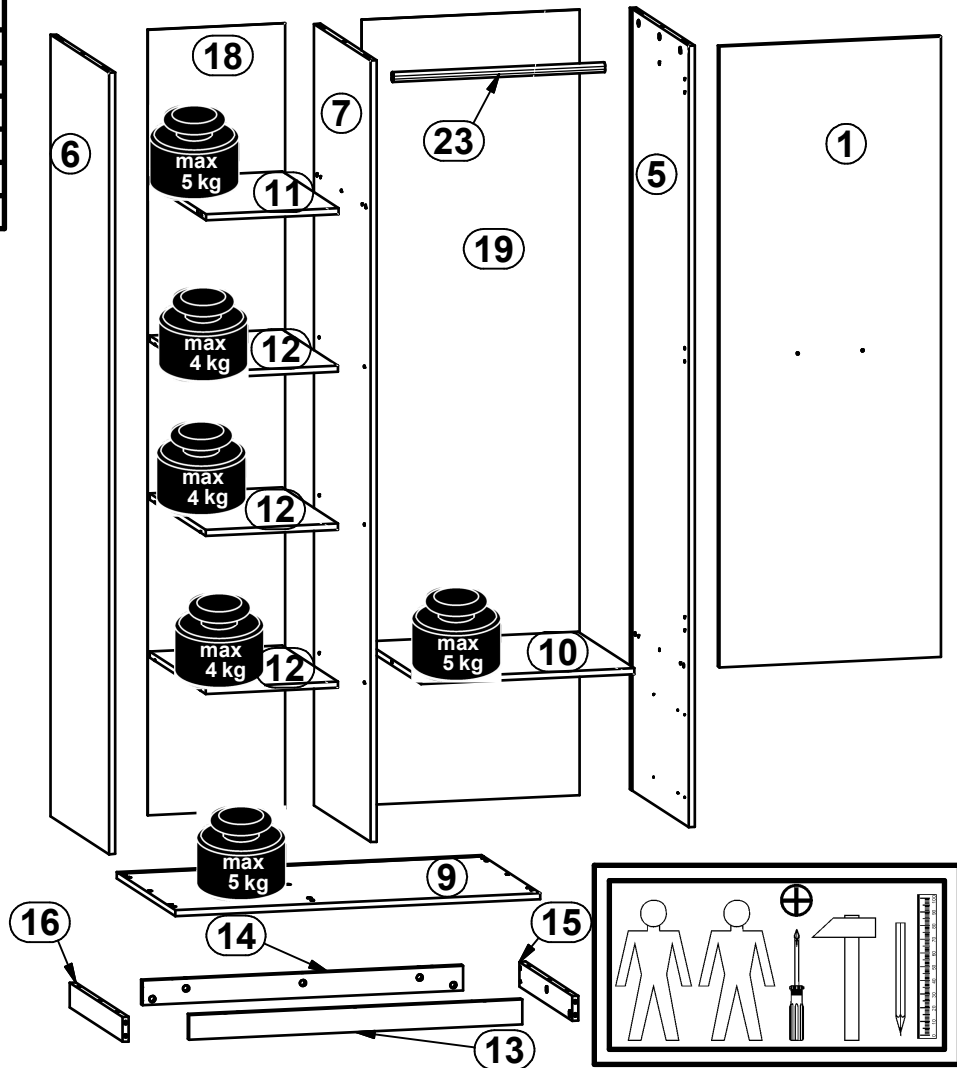
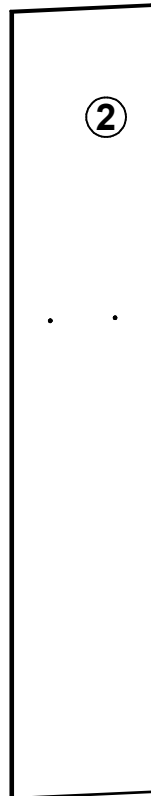
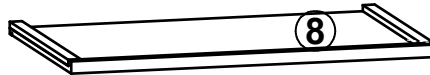
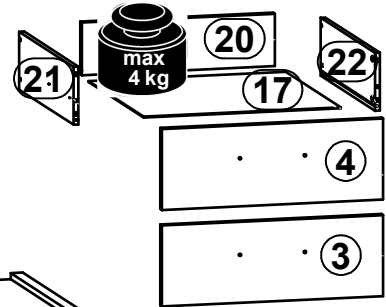
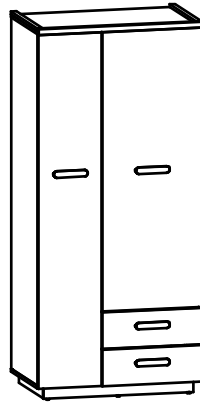
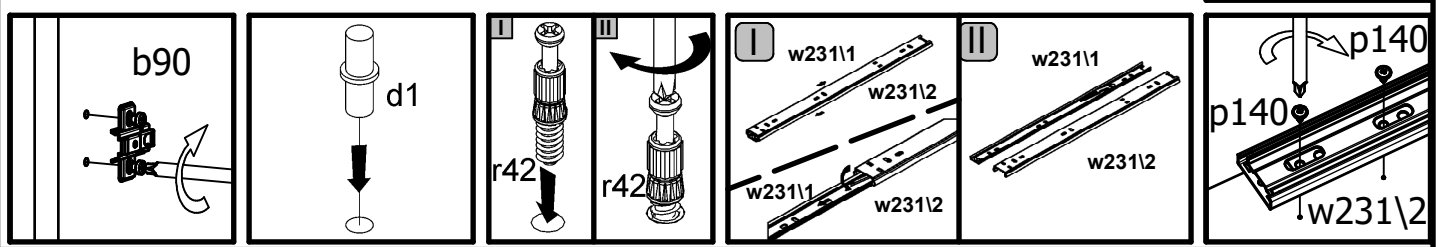
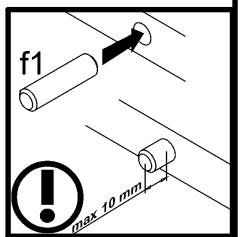
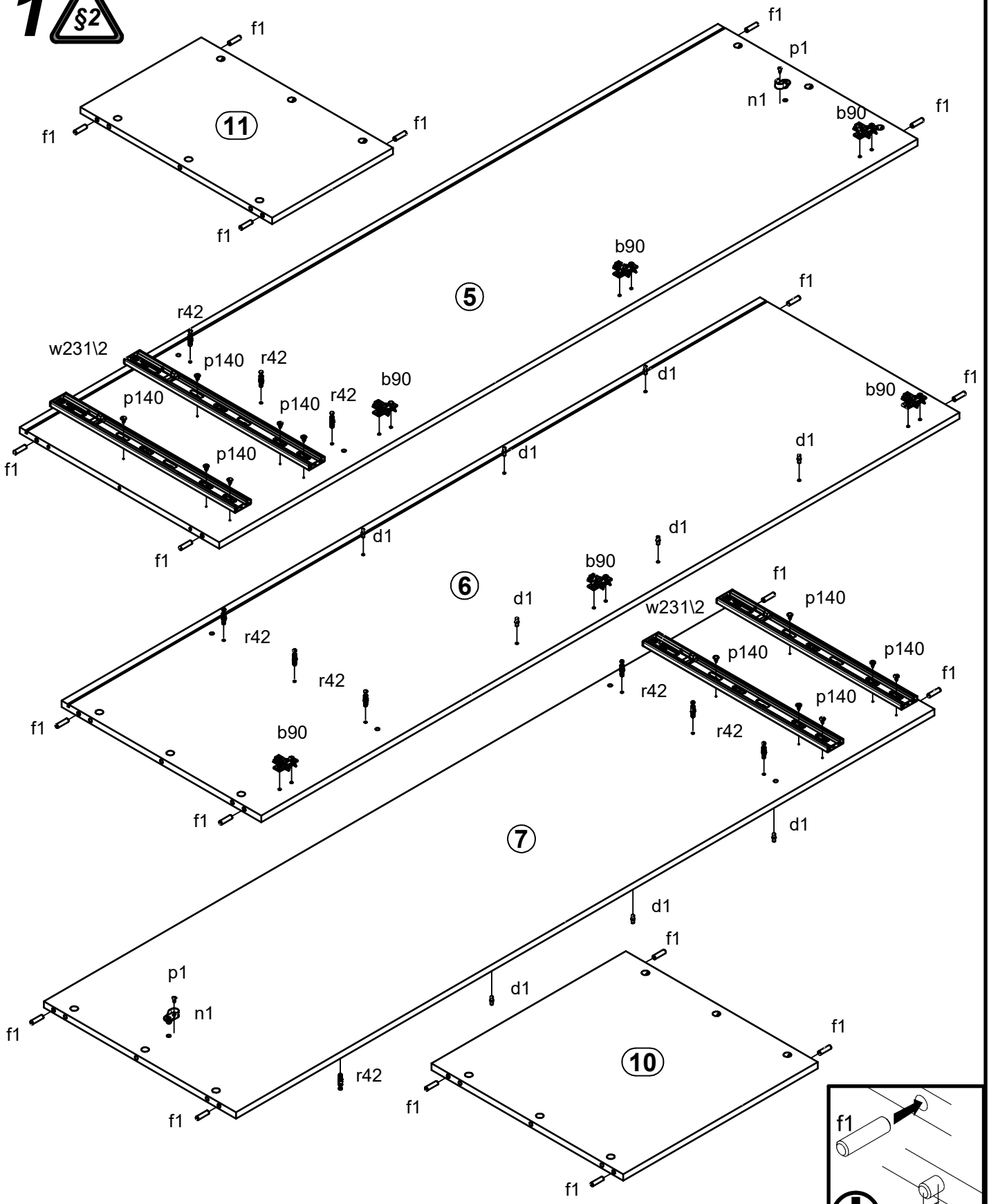


A	B	C	D
1	S464-0015	1501	546 3/3
2	S464-0016	1901	346 3/3
3	S464-0017	546	196 3/3
4	S464-0018	546	196 3/3
5	S464-1019	1890	540 1/3
6	S464-1020	1890	540 1/3
7	S464-1021	1890	520 1/3
8	S464-2011	900	565 2/3
9	S464-2012	900	540 2/3
10	S464-3018	526	519 2/3
11	S464-3019	327	519 2/3
12	S464-3020	326	514 2/3
13	S464-4001	821	60 3/3
14	S464-4002	790	60 3/3
15	S464-4009	487	60 3/3
16	S464-4010	487	60 3/3
17	S464-9008	486	507 2/3
18	S464-9009	1900	339 3/3
19	S464-9010	1900	537 3/3
20	ZK3-5034	476	127 2/3
21	ZK4-519	500	140 2/3
22	ZK4-520	500	140 2/3
23	dr-522	522,	22 2/3

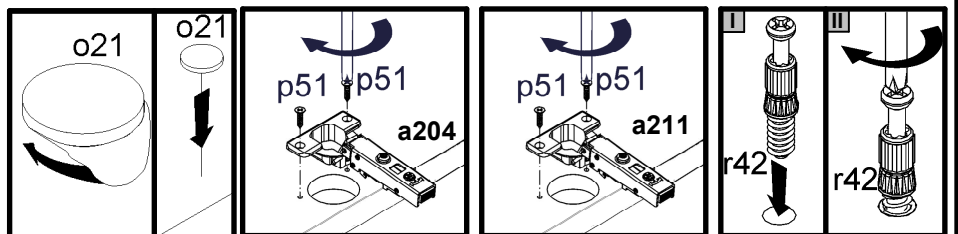
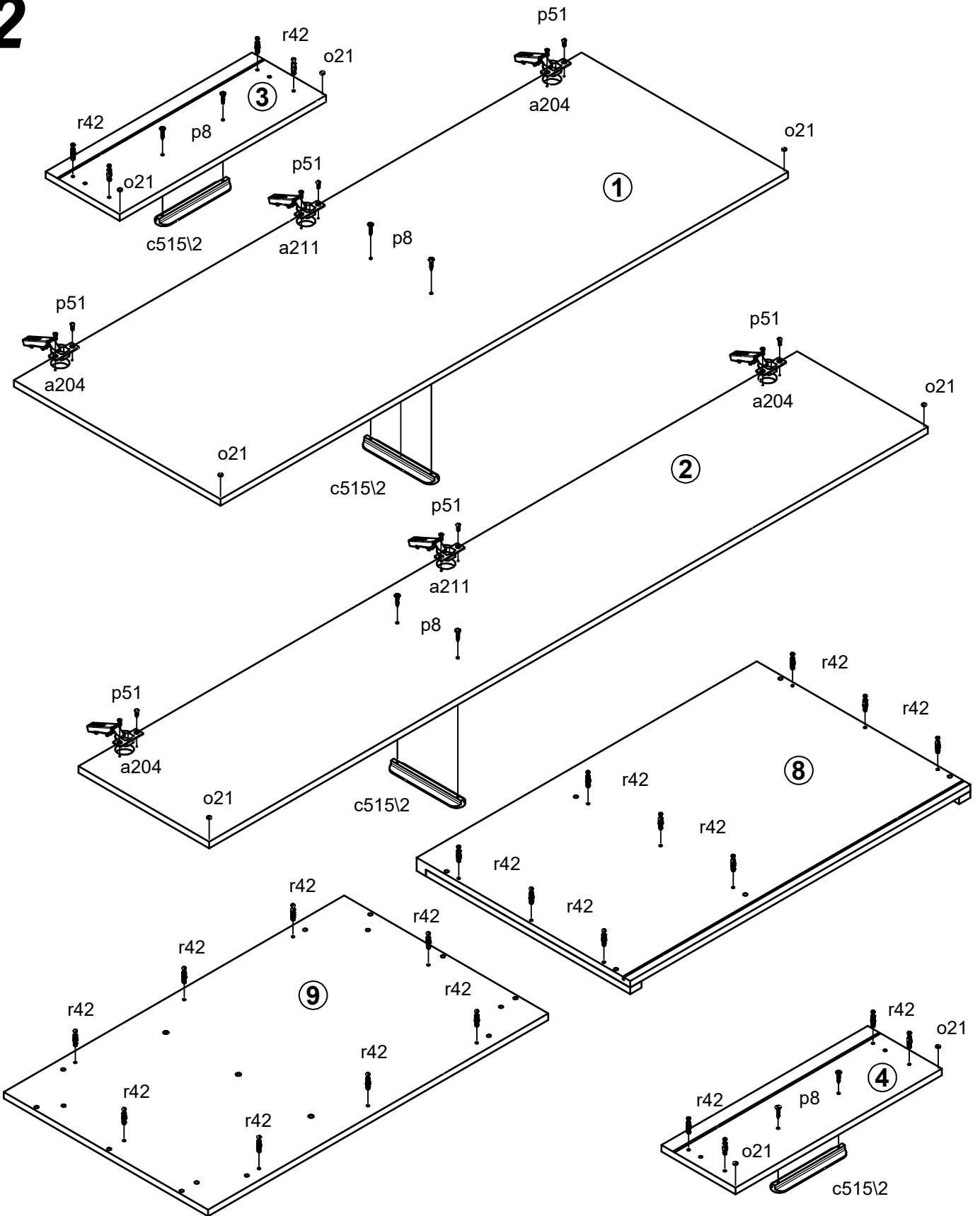


4x Ø35 a204	2x Ø35 a211	6x b90	4x 160mm c515\2	12x Ø5x17 mm d1	9x Ø7x50 mm e1	32x Ø8x30 mm f1	4x Ø6x30 mm f9	8x Ø6.5x40 mm f25
6x k1	14x l2	2x h=22mm n1	9x 22x9.5x210.7 mm n108	8x silikon o21	2x Ø3.5x13 mm p1	8x Ø4x25 mm p8	7x Ø3.5x16 mm p38	12x Ø3.5x15 mm p51
14x Ø2.9x16 mm p55	24x Ø3.5x12 mm p140	33x Ø15x12 mm #16 r1	8x Ø12x10.5 mm #12 r15	41x 20/11 r42	4x L=500 mm w231\1	4x L=500 mm w231\2	15x Ø 20mm s68	1x 4 mm z1
1x n26\1	1x Ø3.5x16 mm p38							

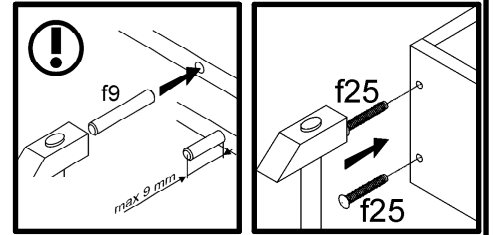
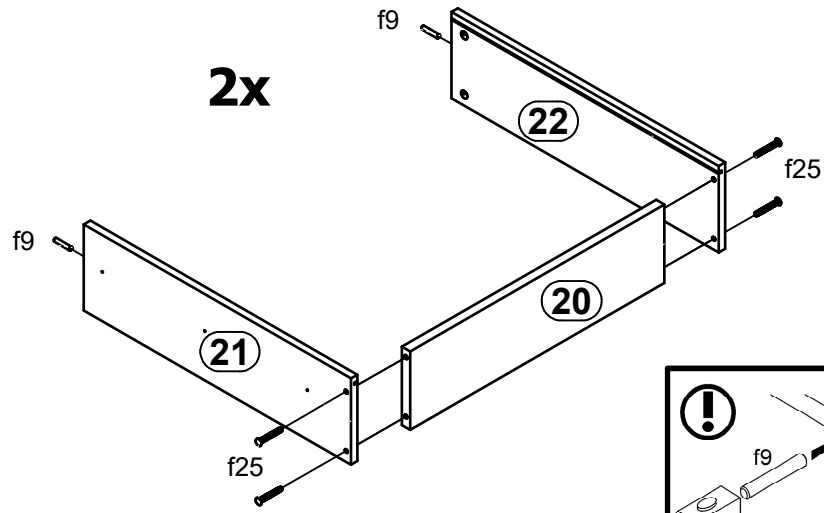
**1** 



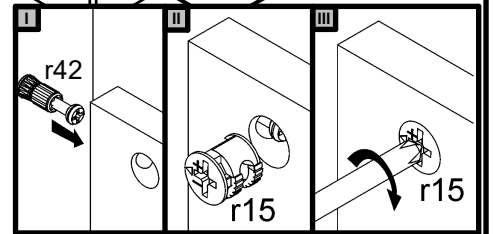
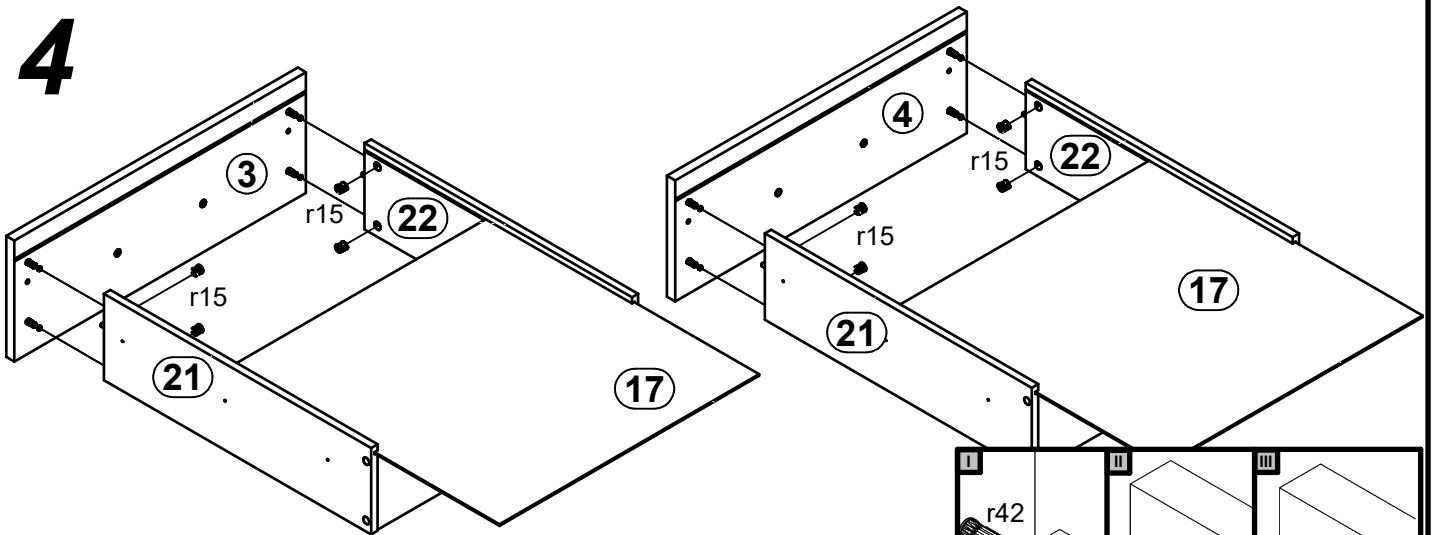
# 2



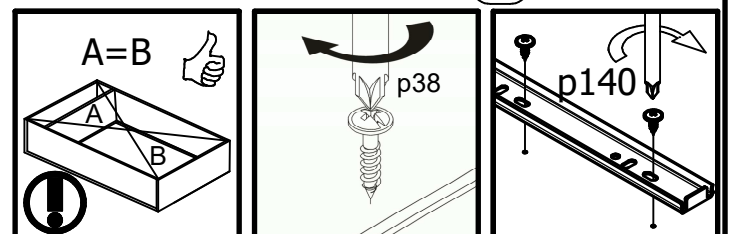
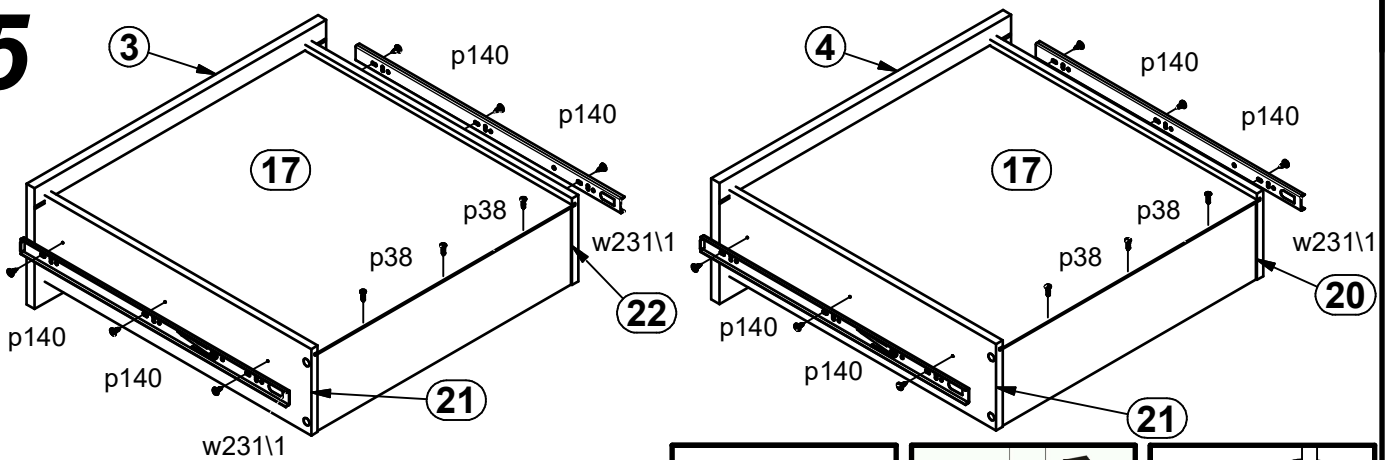
# 3



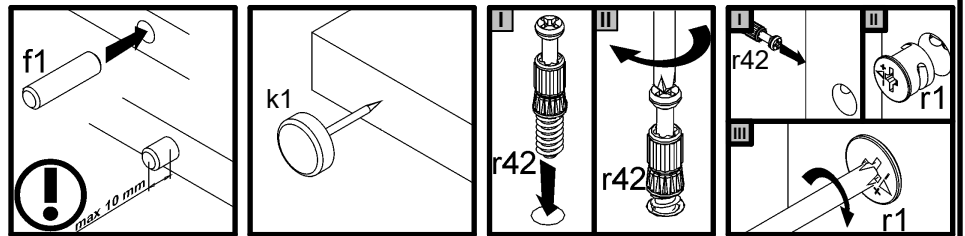
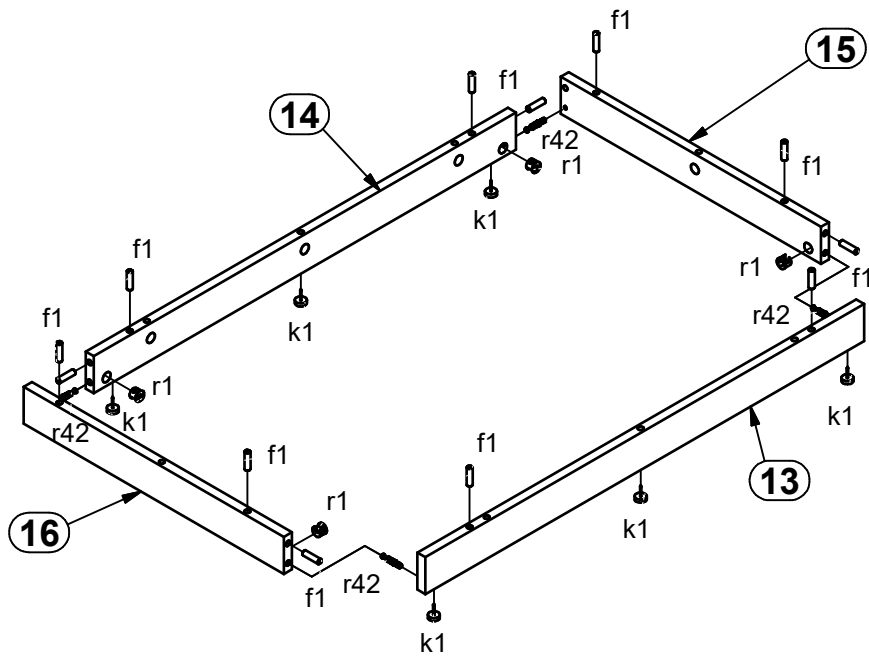
# 4



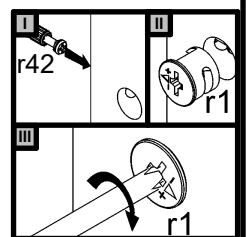
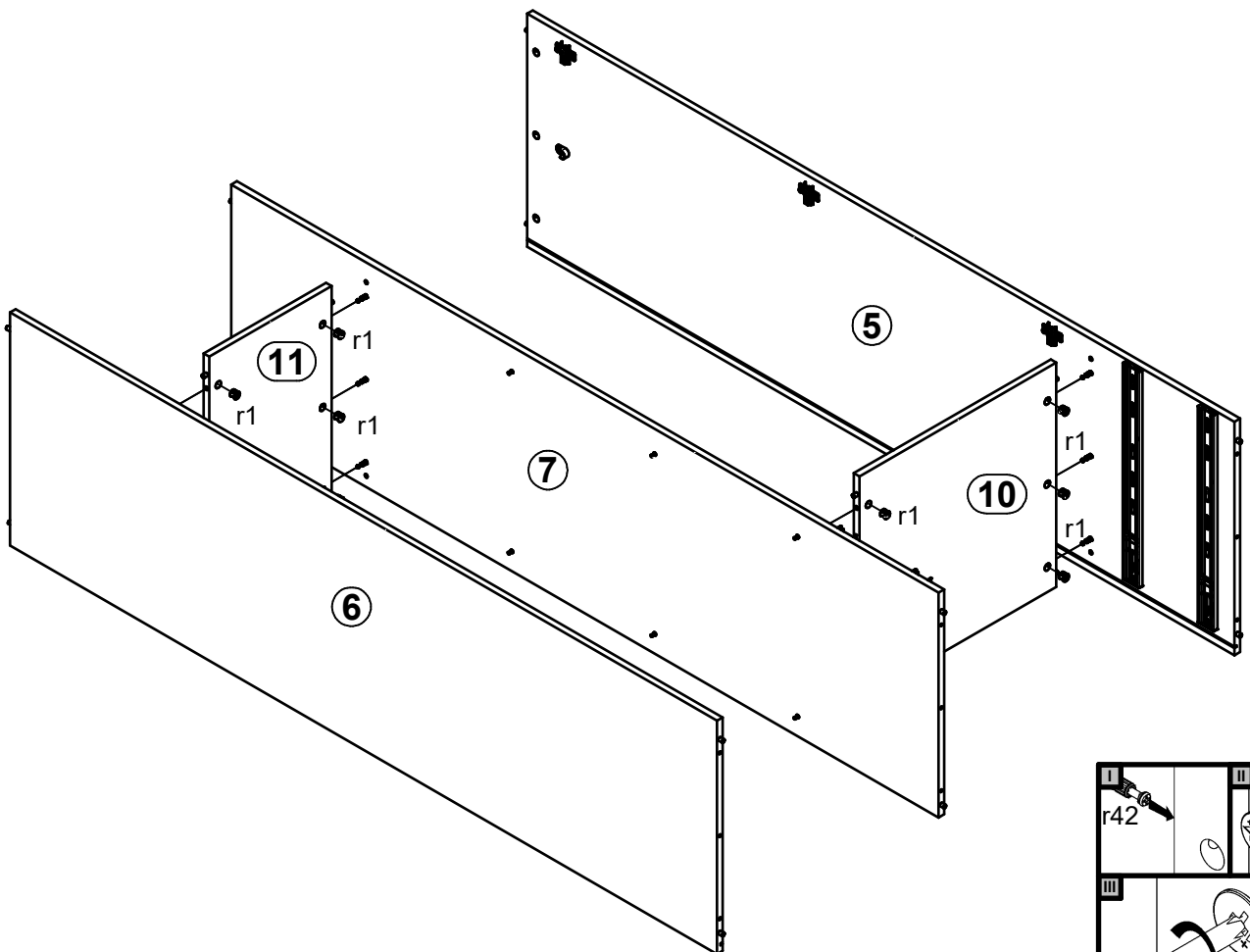
# 5

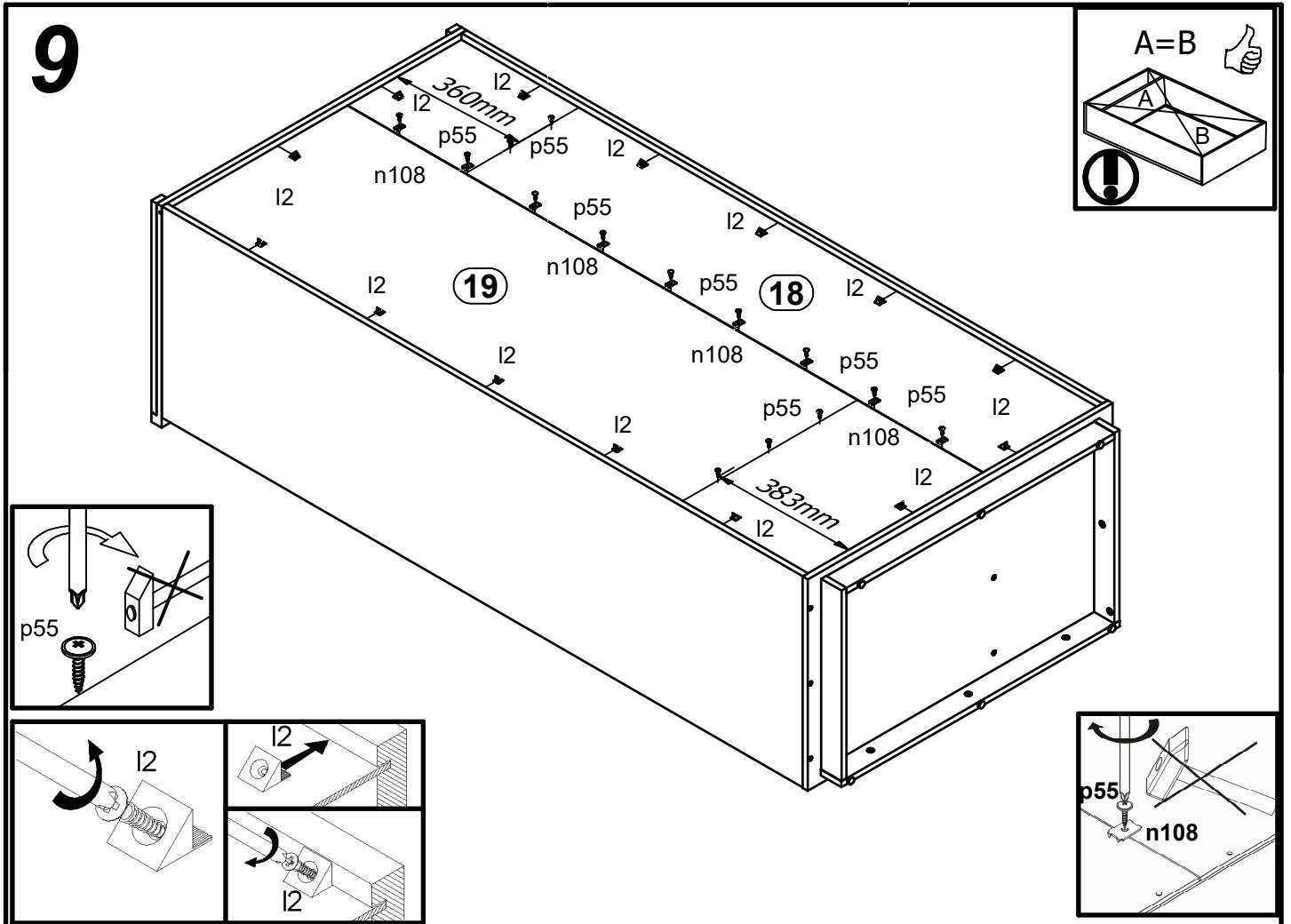
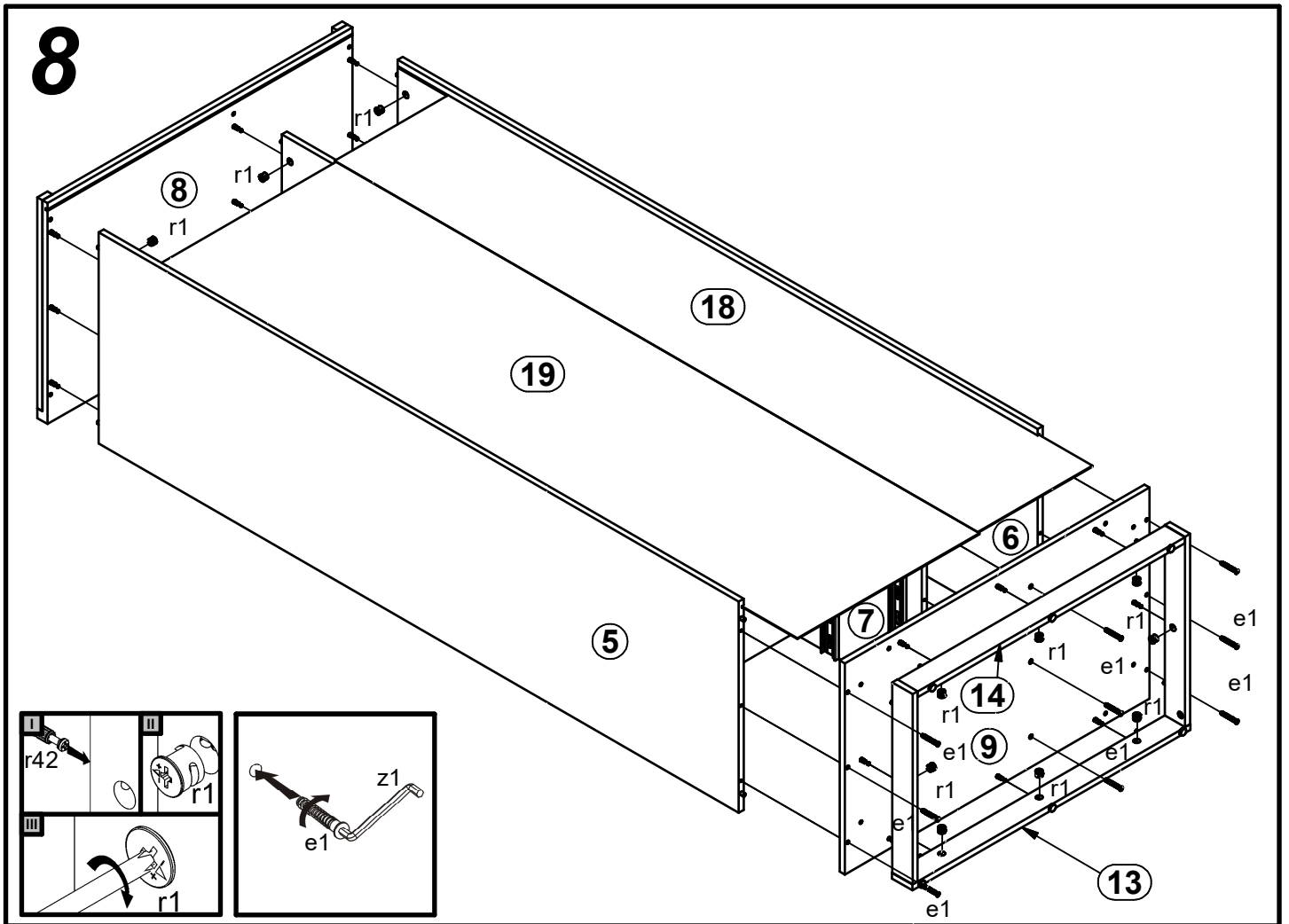


# 6



# 7





# 10

