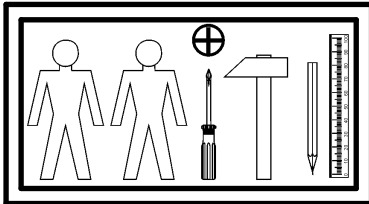
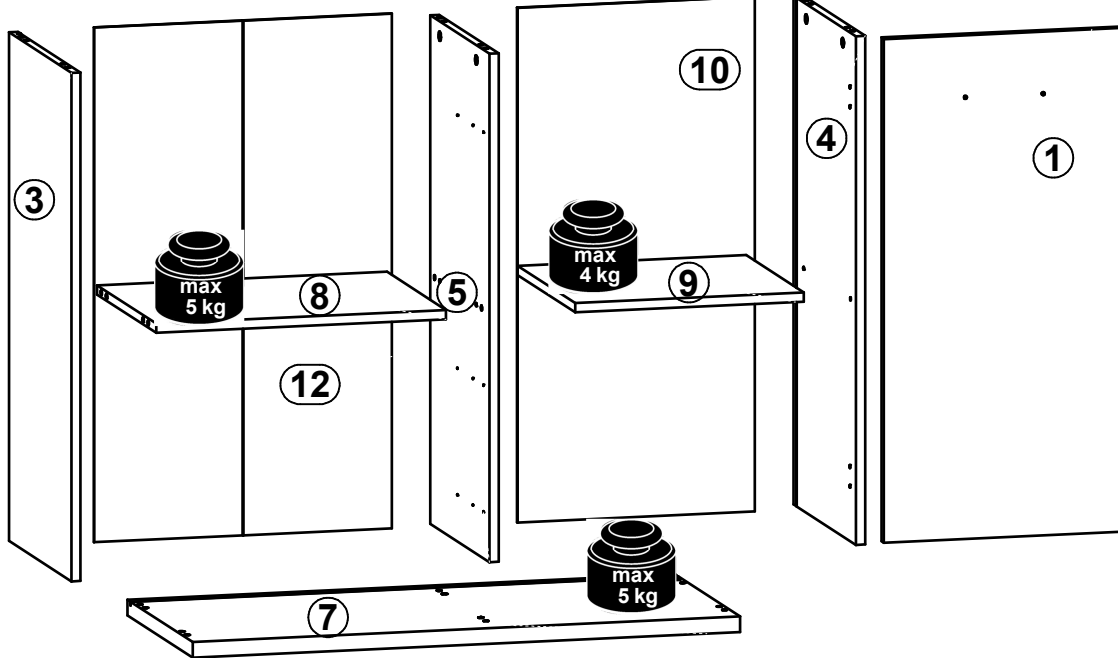
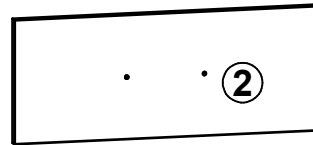
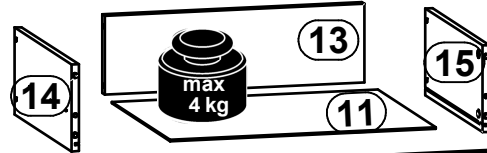


A	B	C	D
1	S463-0007	812	396
2	S463-0008	496	200
3	S463-1014	820	383
4	S463-1015	820	383
5	S463-1016	820	363
6	S463-2007	900	400
7	S463-2008	900	400
8	S463-3009	477	362
9	S463-3010	376	353
10	S463-9005	830	390
11	S463-9006	437	357
12	S463-9304	830	489
13	ZK3-5091	427	127
14	ZK4-513	350	140
15	ZK4-514	350	140

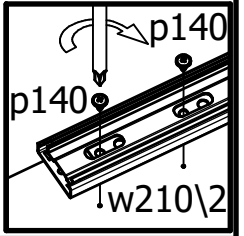
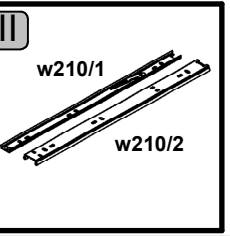
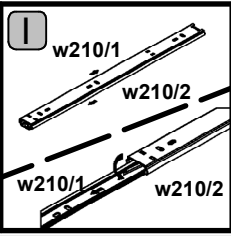
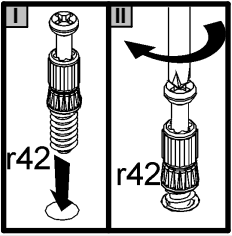
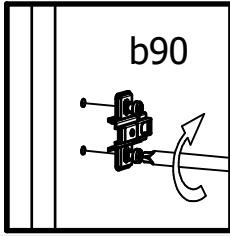
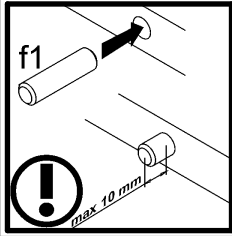
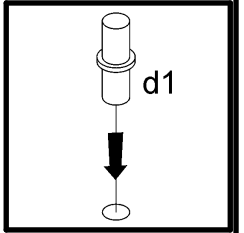
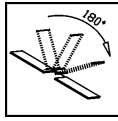
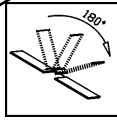
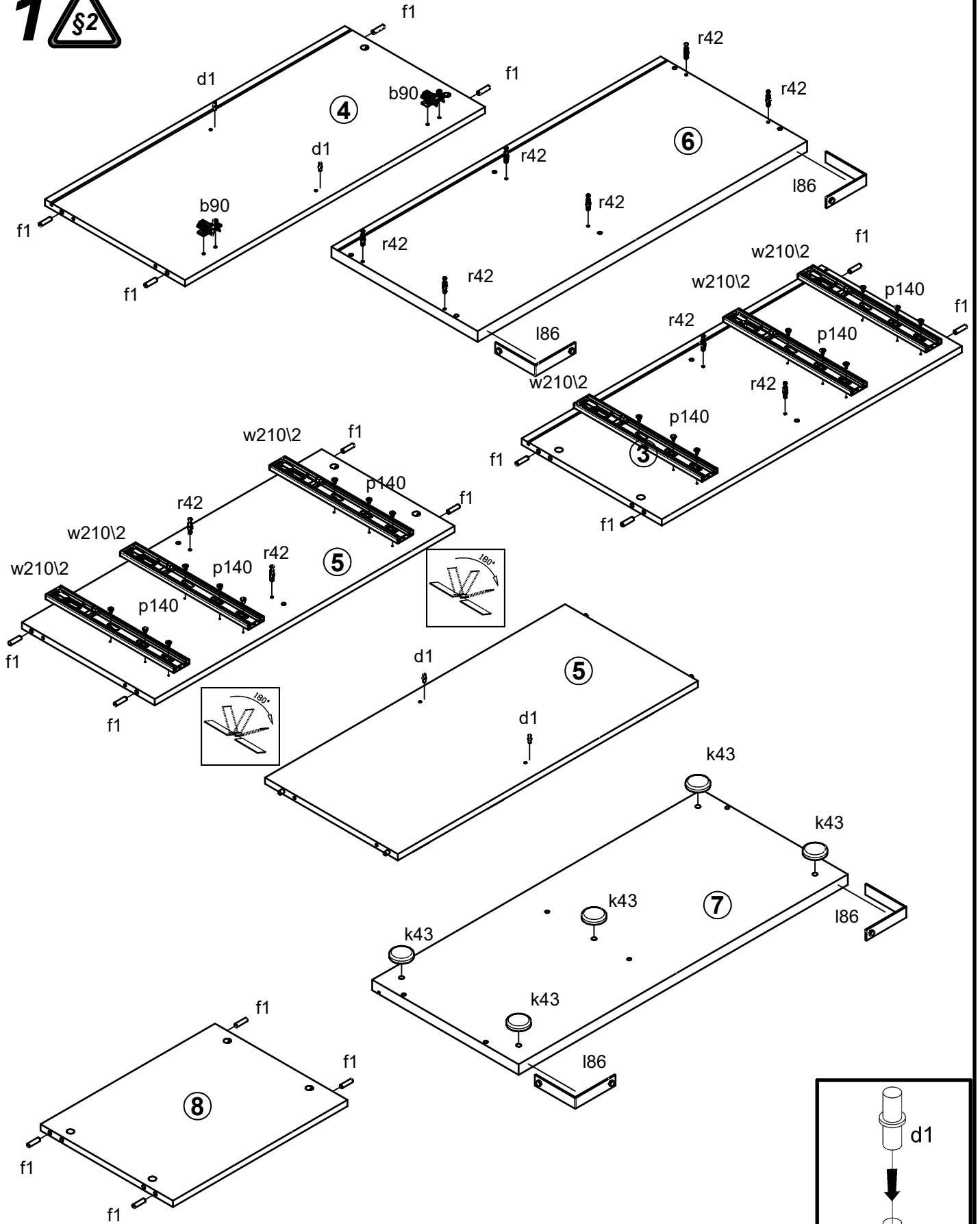


3x

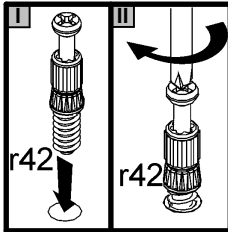
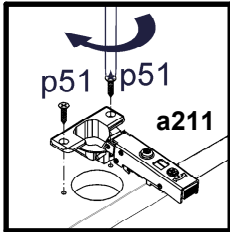
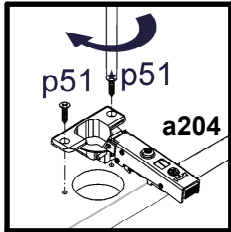
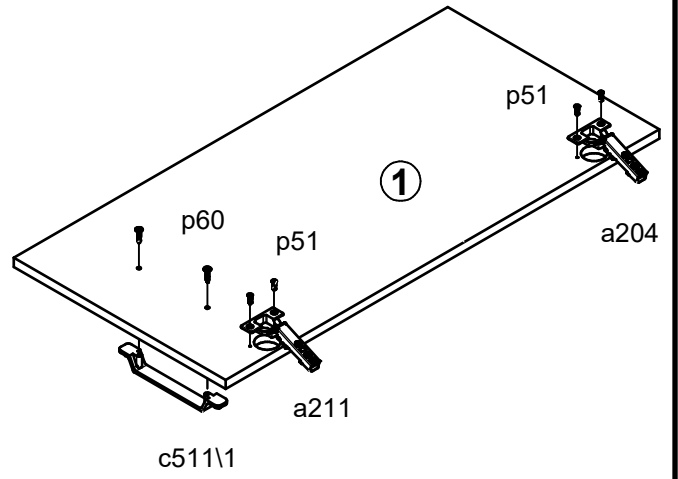
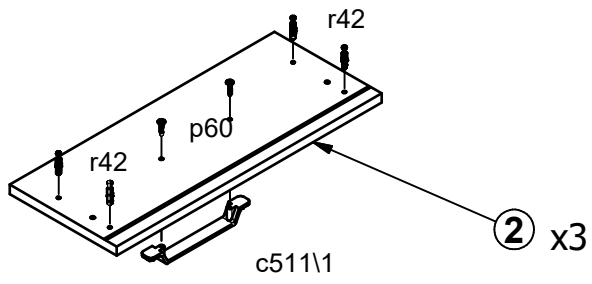


1x Ø35 Hamulec a204	1x Ø35 a211	2x Ø21 b90	4x 128 c511\1	4x Ø5x17 mm d1	6x Ø7x60 mm e8	16x Ø8x30 mm f1	12x Ø6.5x40 mm f25	6x Ø6x30 mm f9
5x Ø48x10 mm k43	8x l2	4x l86	4x 22x9.5x210.7 mm n108	8x Ø4x22 mm p60	36x Ø3.5x12 mm p140	10x Ø3.5x16 mm p38	4x Ø3.5x15 mm p51	7x Ø2.9x16 mm p55
10x Ø15x12 mm #16 r1	12x Ø12x10.5 mm #12 r15	22x 20/11 r42	6x L-350 mm w210\2	6x L-350 mm w210\1	1x 4 mm z1	1x n26\1	2x Ø 20mm s68	

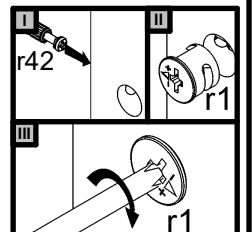
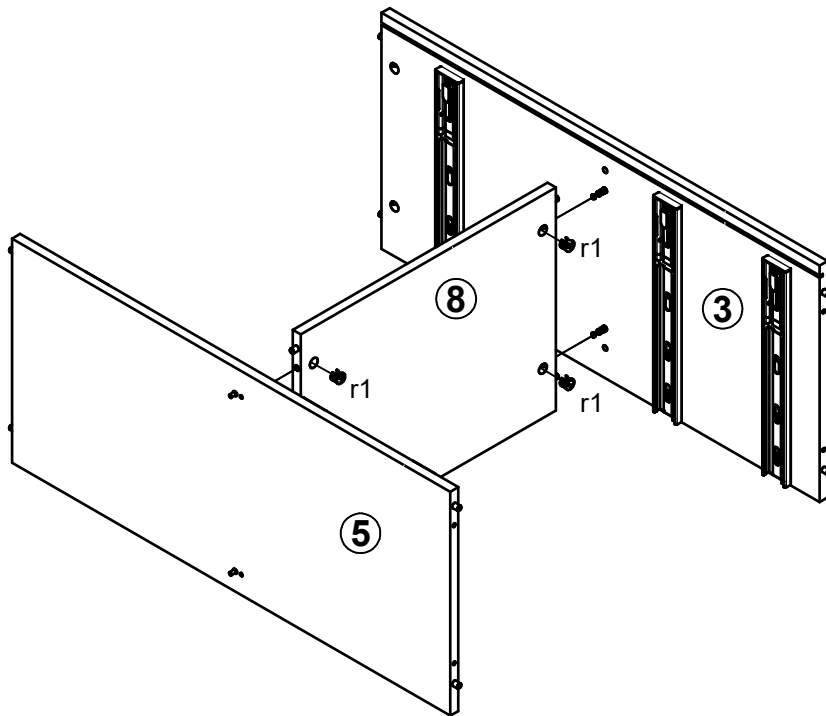
1



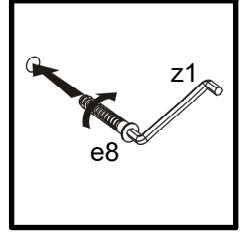
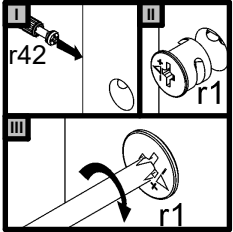
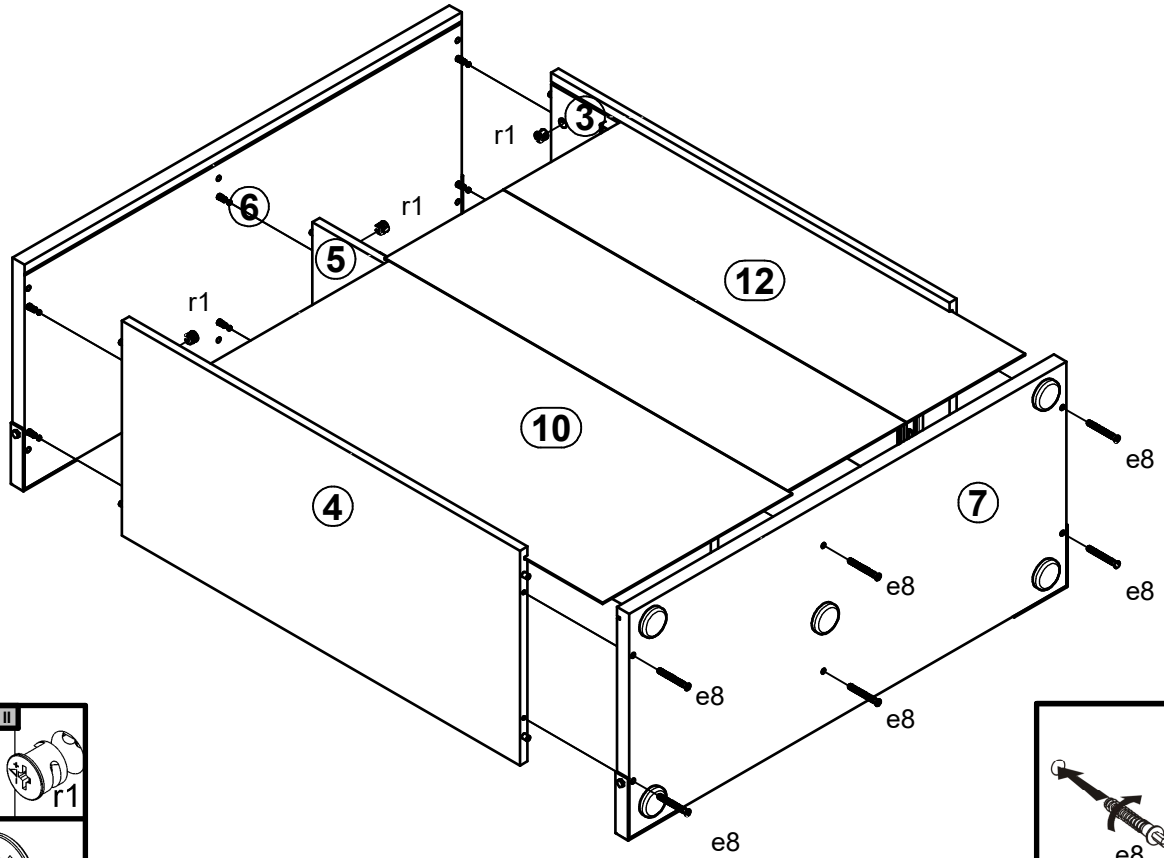
2



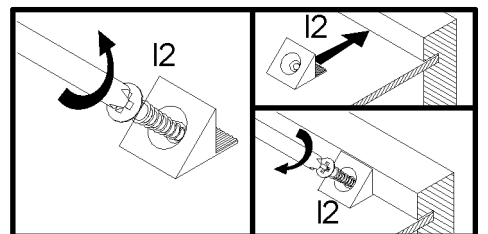
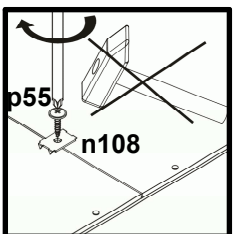
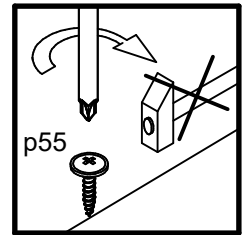
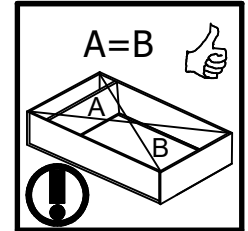
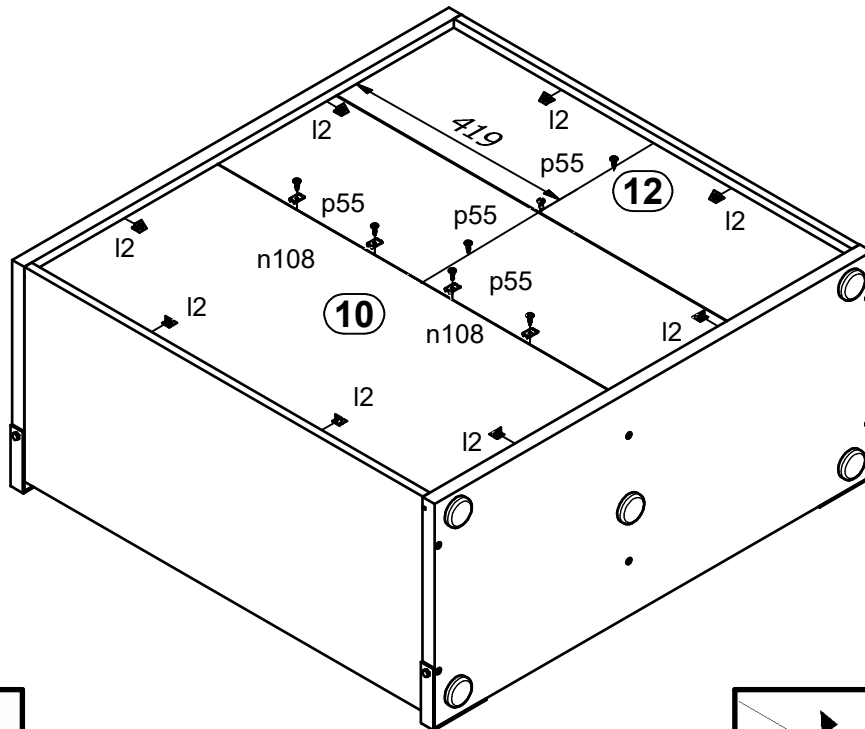
3



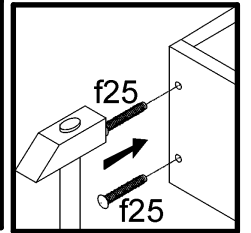
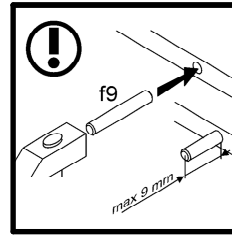
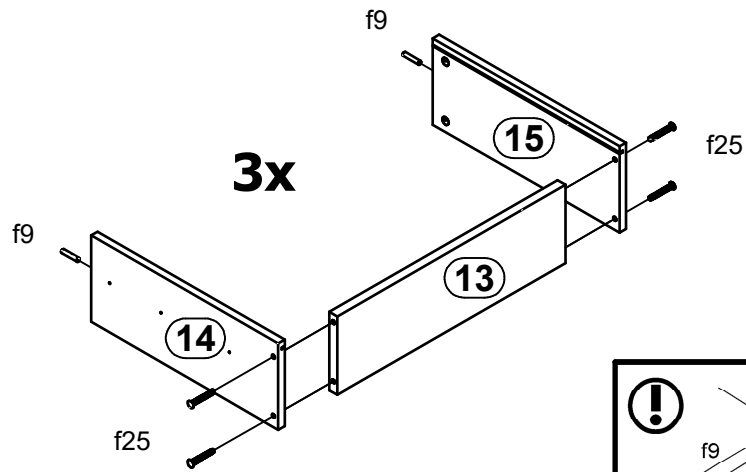
4



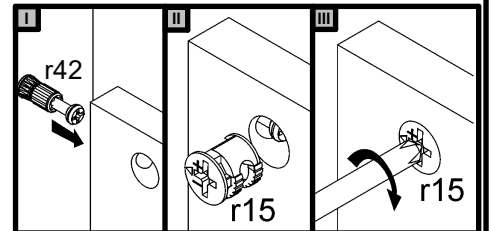
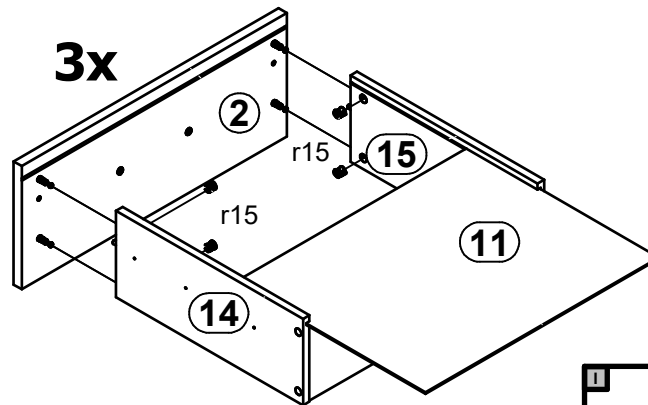
5



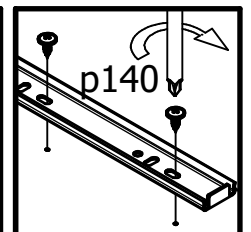
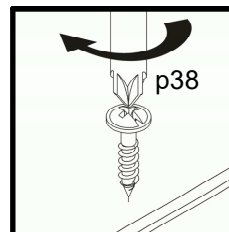
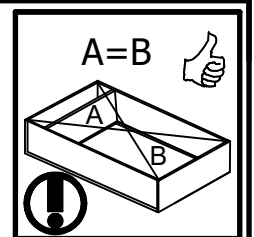
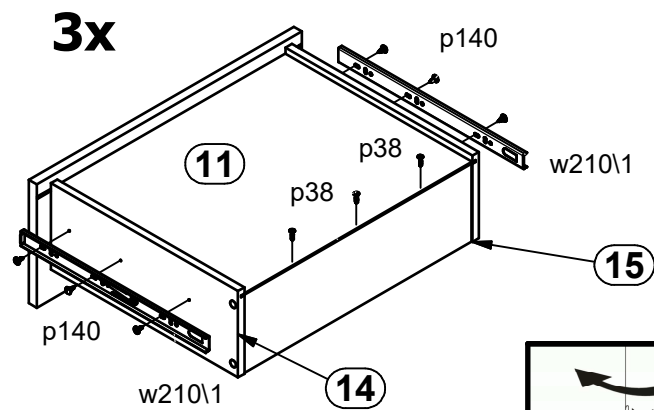
6



7



8



9

