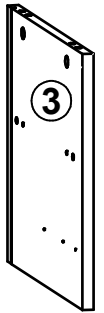
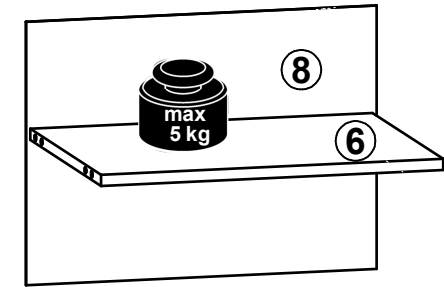
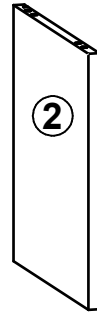
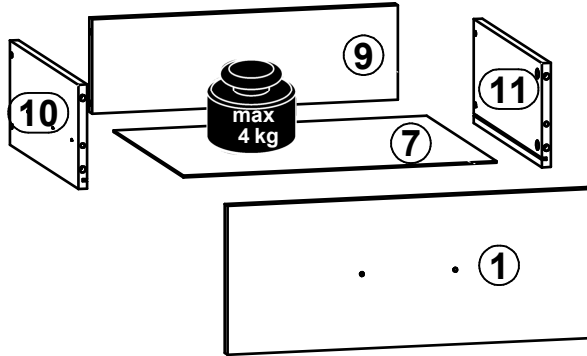
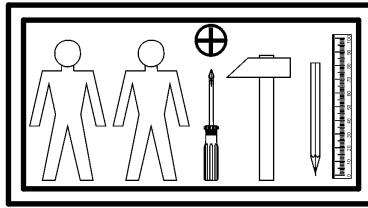
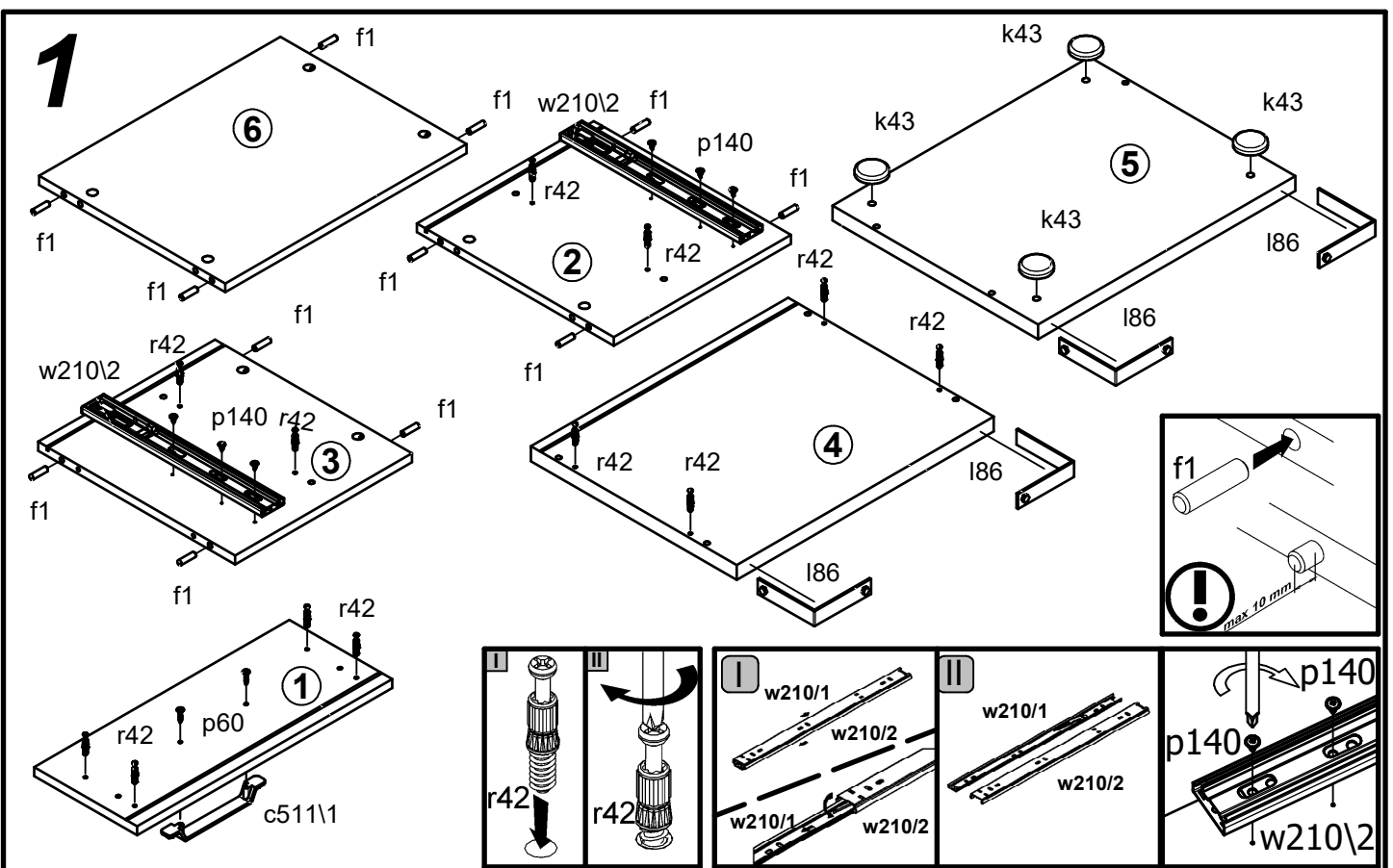


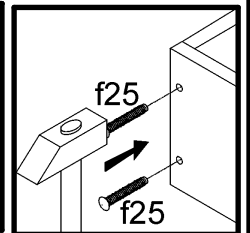
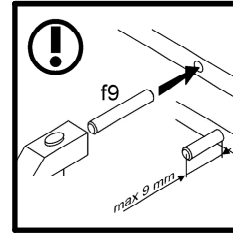
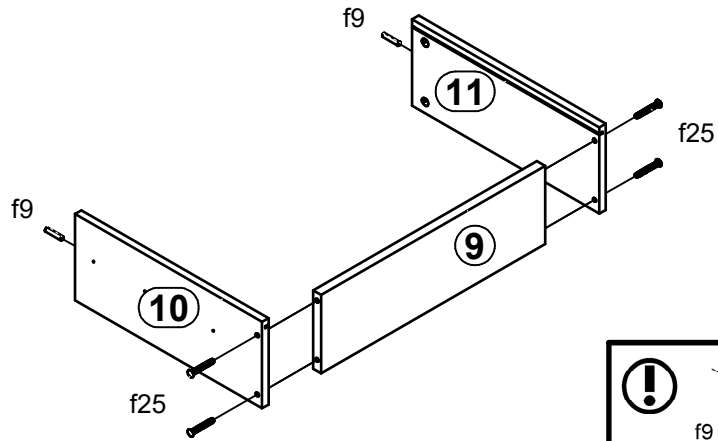
A	B	C	D	
1	S463-0005	496	200	1/1
2	S463-1009	344	383	1/1
3	S463-1010	344	383	1/1
4	S463-2003	500	400	1/1
5	S463-2004	500	400	1/1
6	S463-3005	469	362	1/1
7	S463-9002	429	357	1/1
8	S463-9004	480	354	1/1
9	ZK3-5092	419	127	1/1
10	ZK4-513	350	140	1/1
11	ZK4-514	350	140	1/1



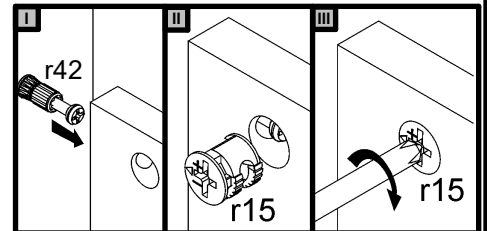
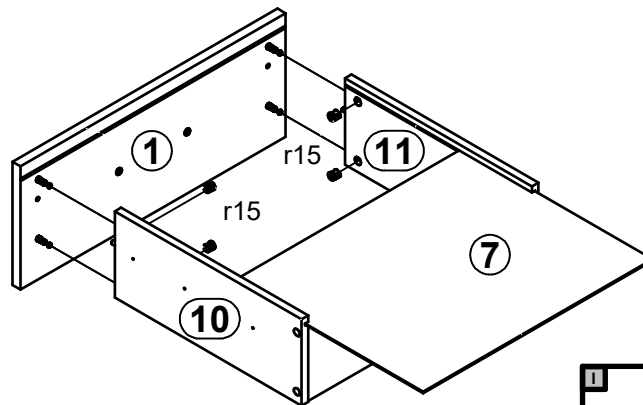
1x r28 c511\1	4x e8 Ø7x60 mm	12x f1 Ø8x30 mm	4x f25 Ø6,5x40 mm	2x f9 Ø6x30 mm	4x k43 Ø48x10 mm	4x l2	4x l86	2x p60 Ø4x22 mm
12x p140 Ø3,5x12 mm	4x p38 Ø3,5x16 mm	8x r1 Ø15x12 mm #16	4x r15 Ø12x10,5 mm #12	12x r42 20/11	2x w210\1	2x w210\2 L350 mm	4x s68 Ø 20mm	1x z1 4 mm
1x n26\1								



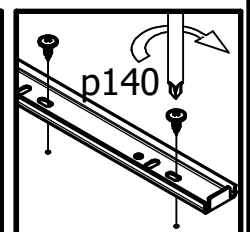
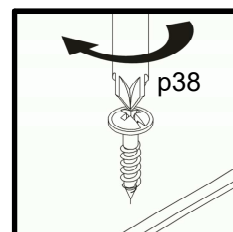
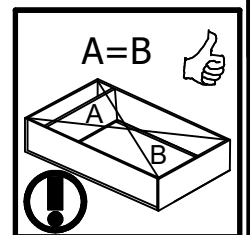
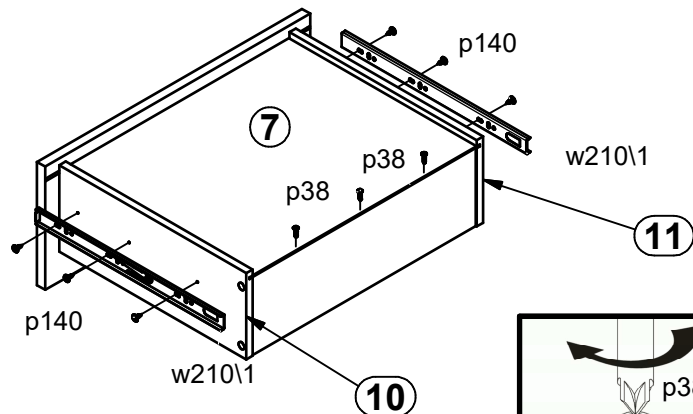
2



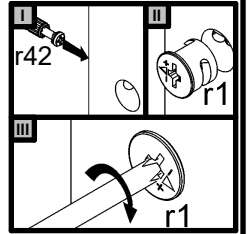
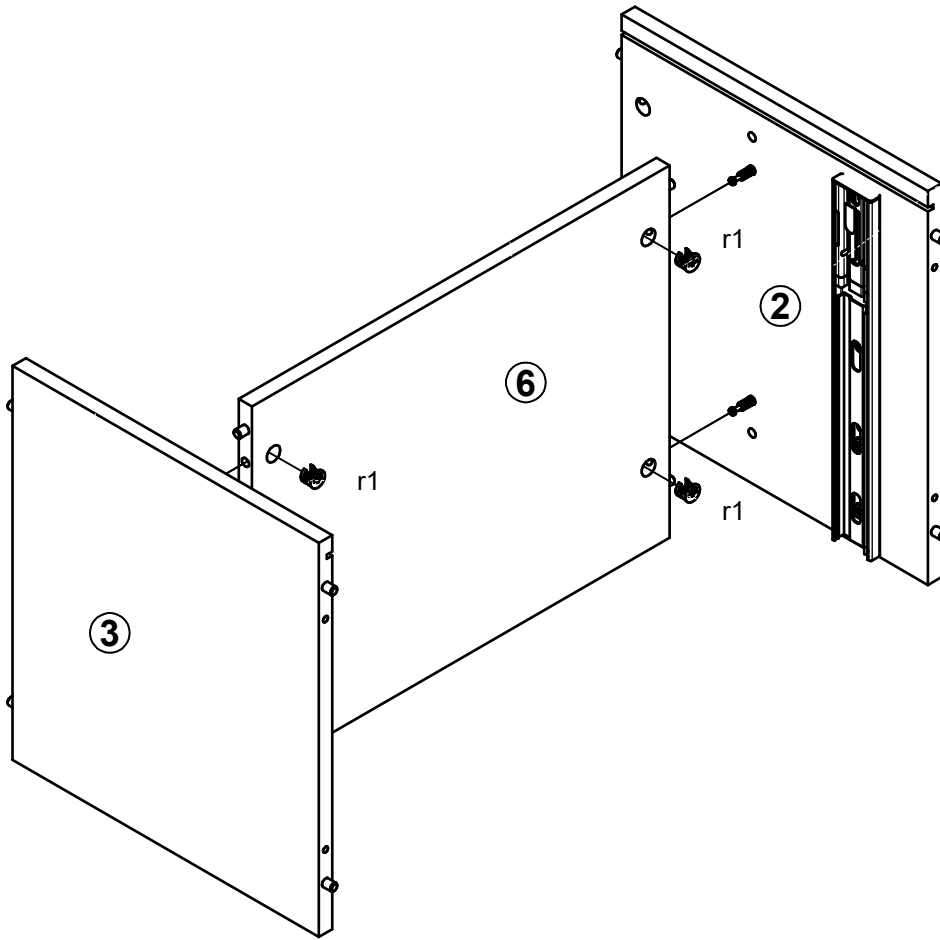
3



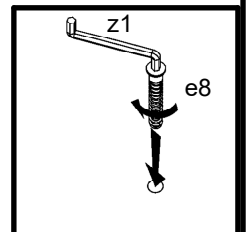
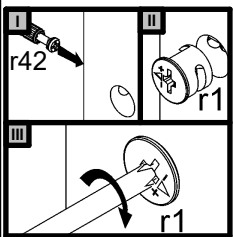
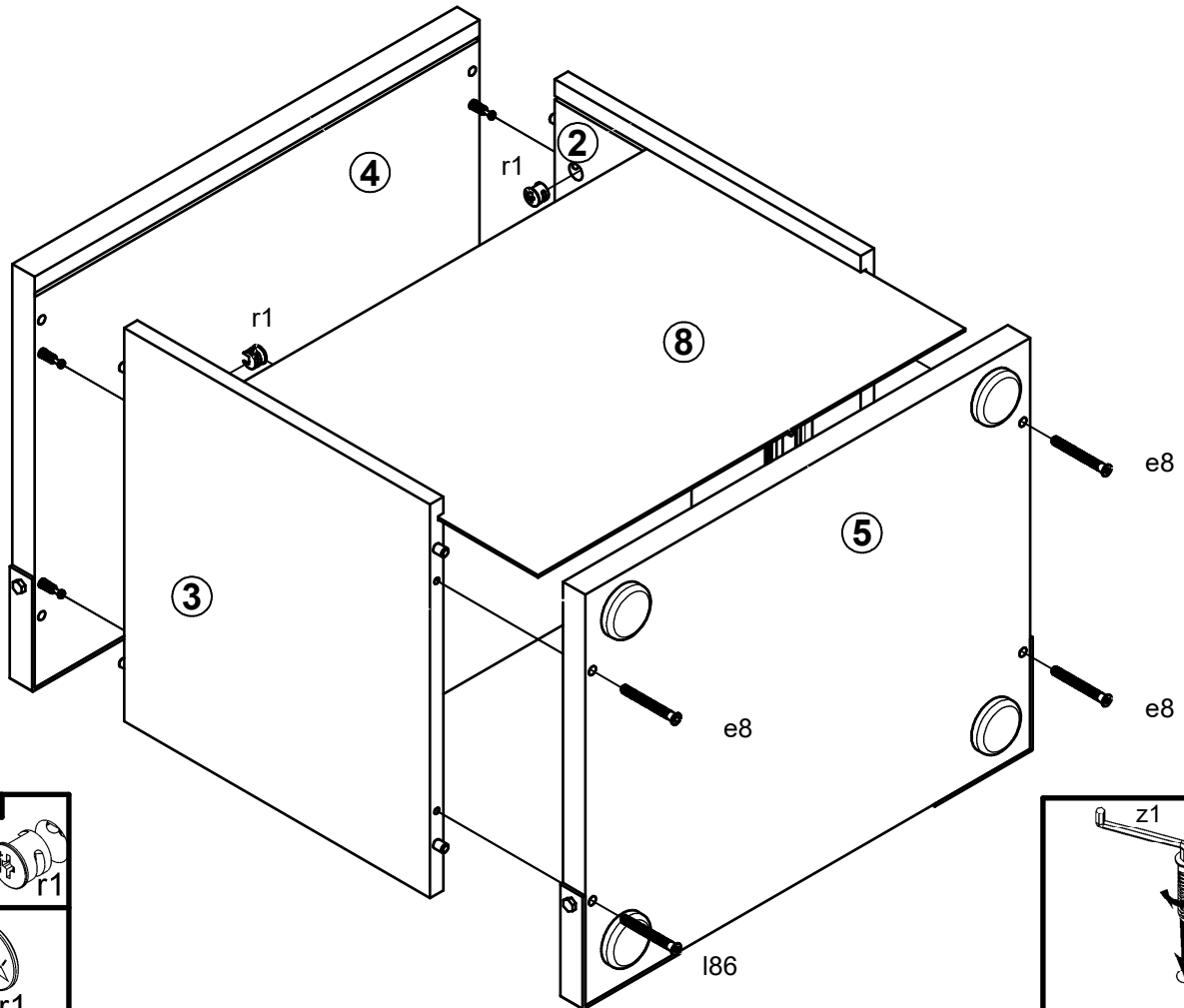
4



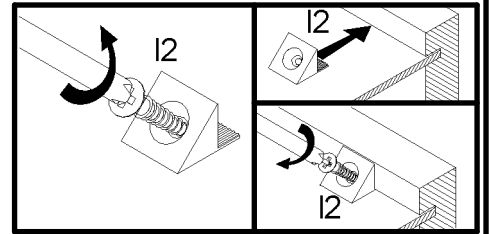
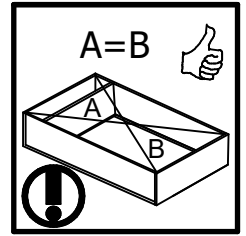
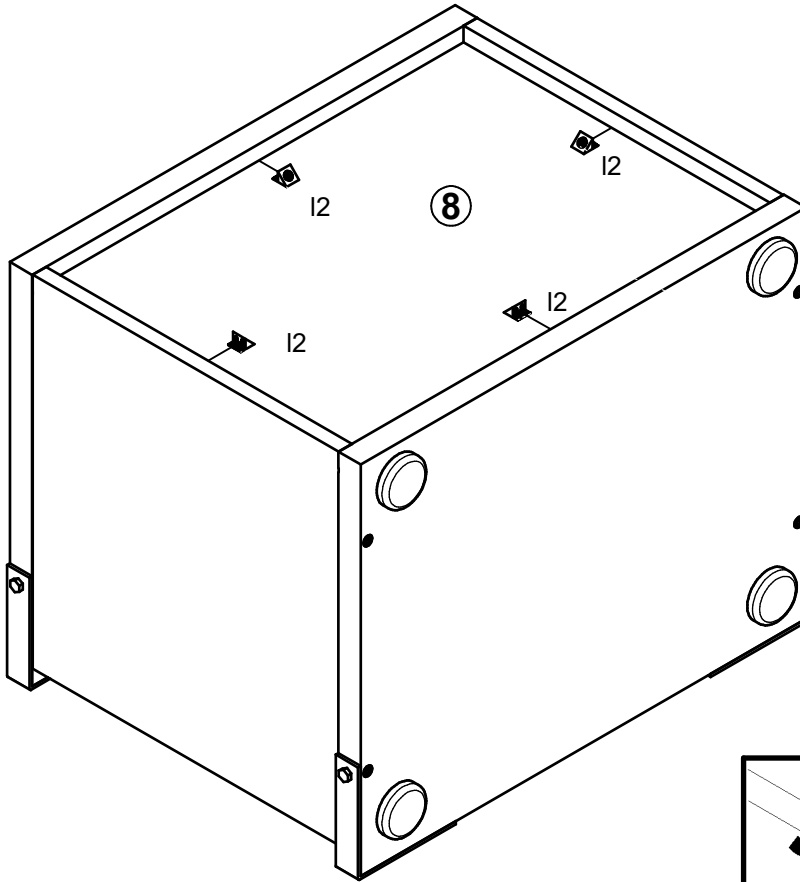
5



6



7



8

