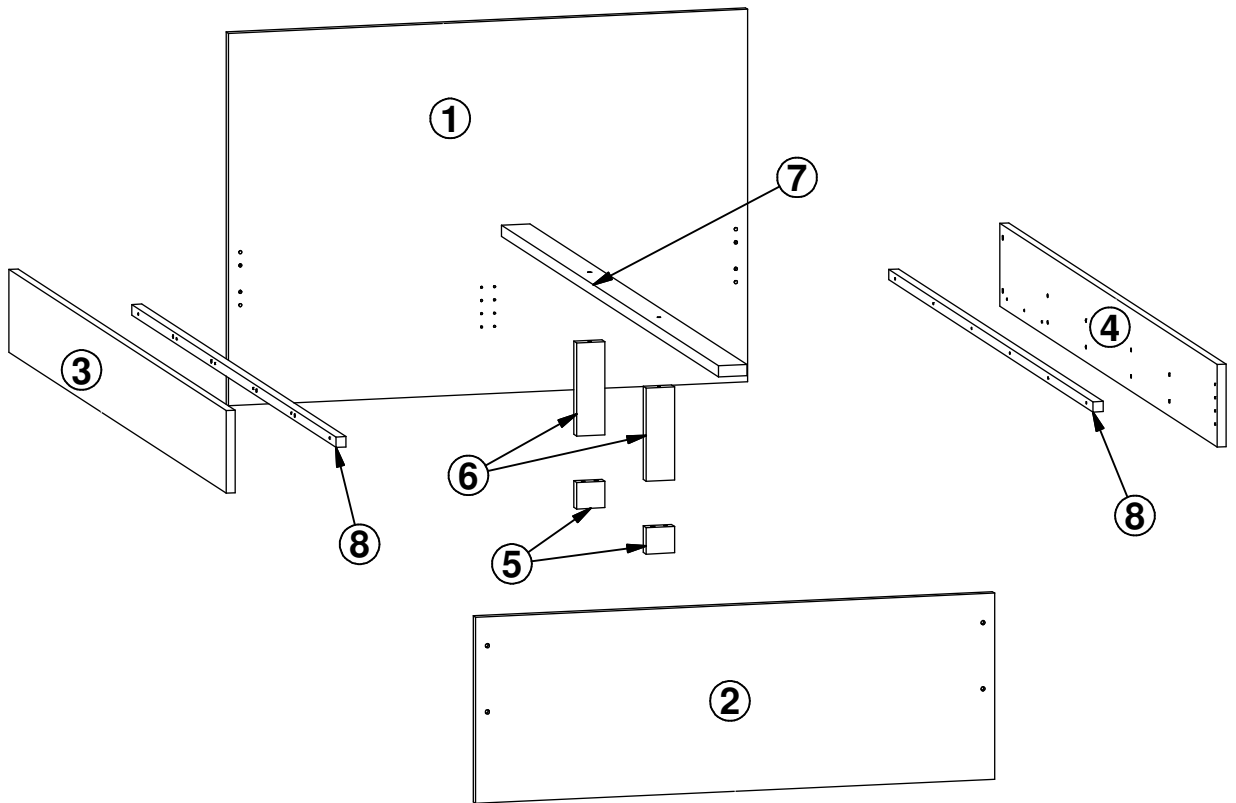
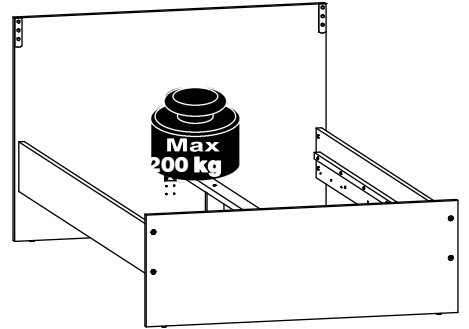
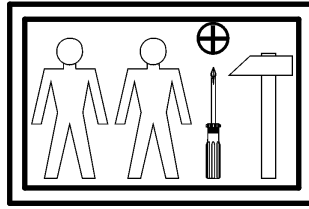
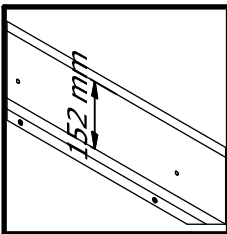
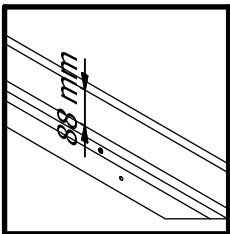


A	B	C	D	
1	S463-0015	1280	900	1/2
2	S463-0016	1280	450	1/2
3	S463-1007	2000	200	2/2
4	S463-1008	2000	200	2/2
5	ZZ1-431	64	70	2/2
6	ZZ1-468	225	70	2/2
7	ZZ1-718	1995	70	2/2
8	ZZ1-747	1880	25	2/2



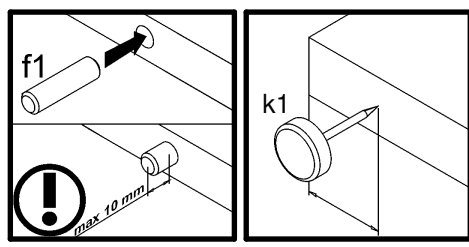
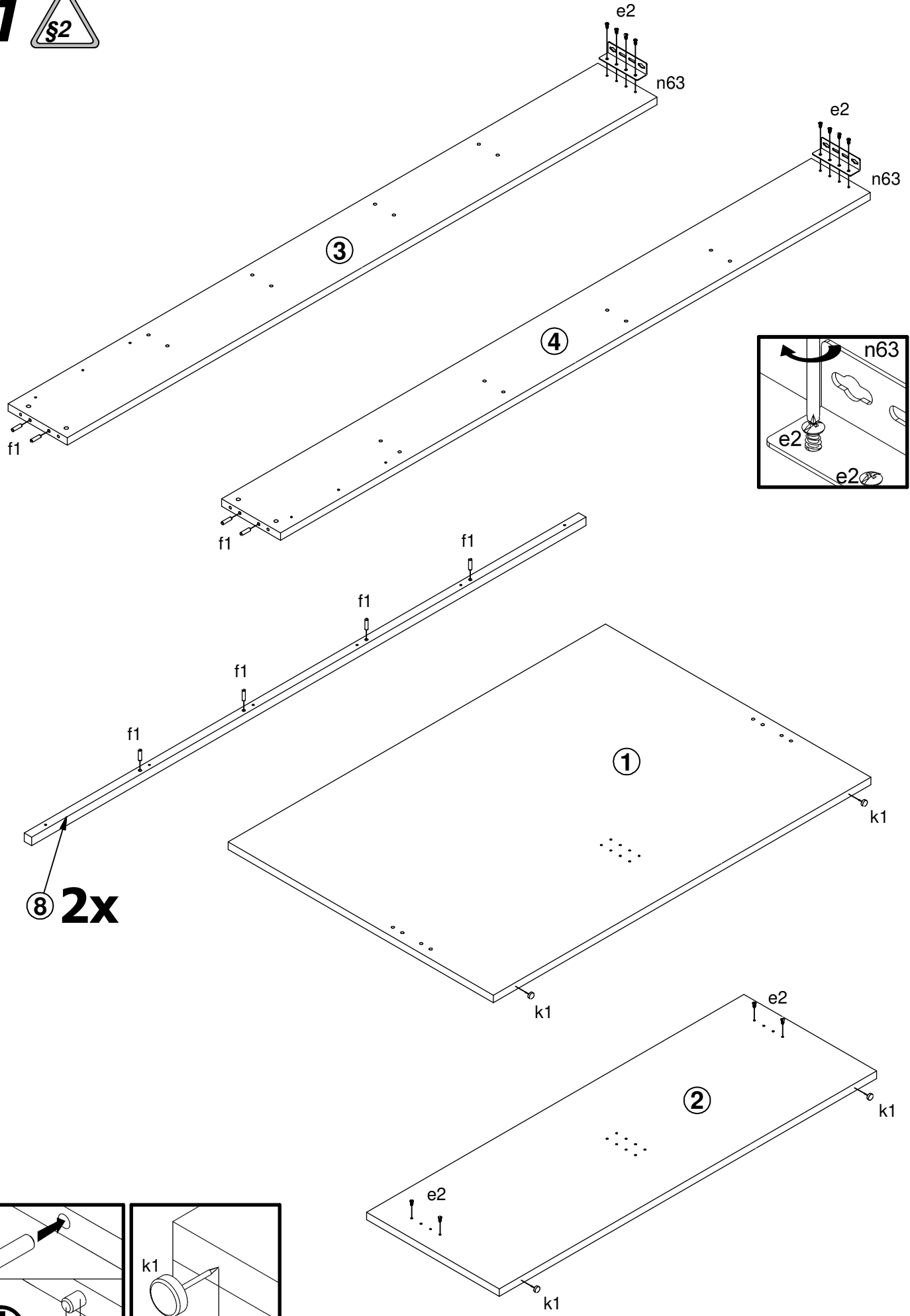
**A**

**B**

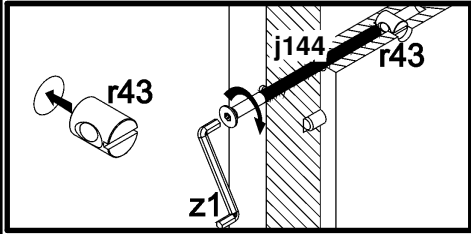
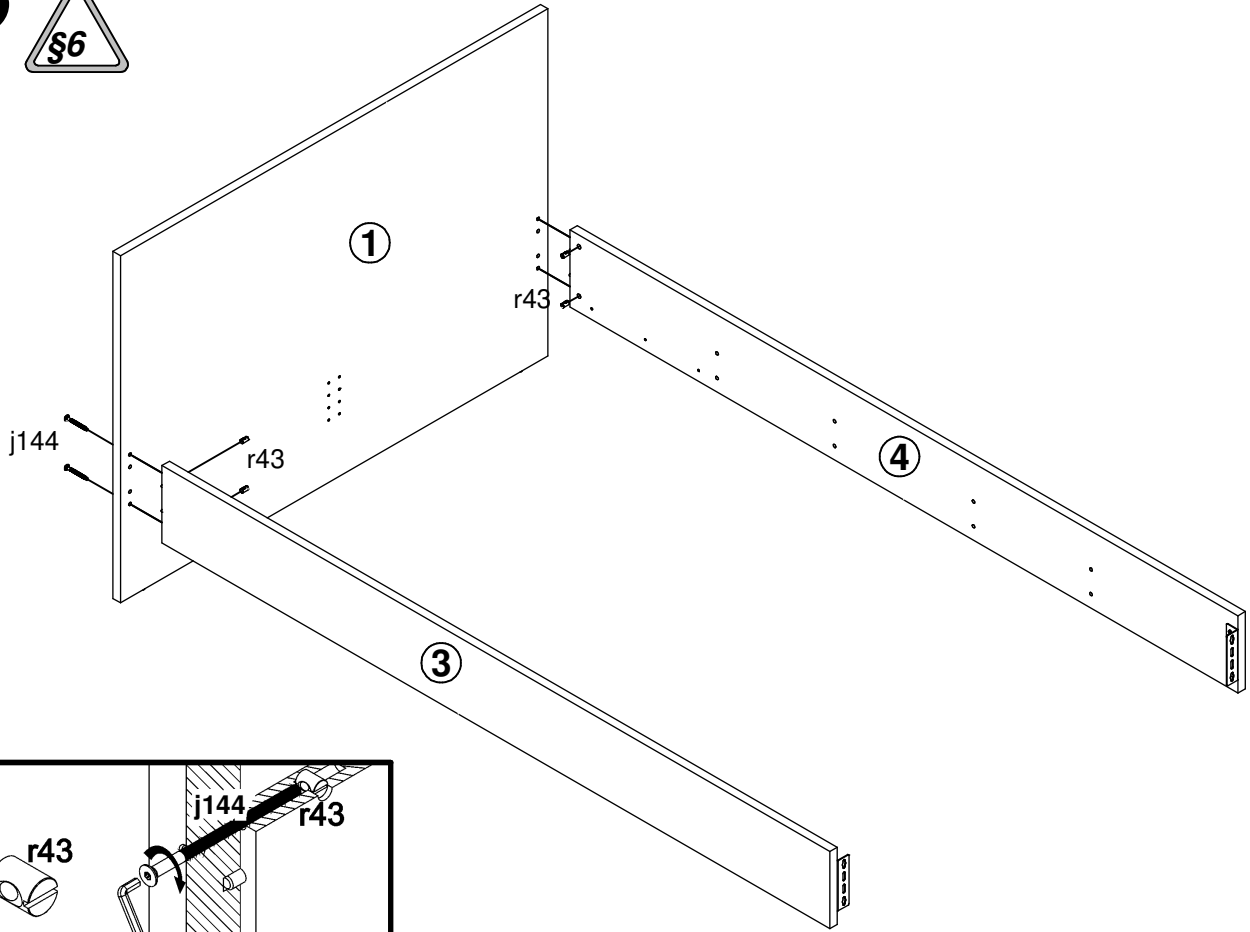


16x Ø6.3x13 mm <b>e2</b>	8x Ø6x13 mm <b>e3</b>	2x Ø7x60 mm <b>e8</b>	12x Ø8x30 mm <b>f1</b>	4x Ø8x50 mm <b>f6</b>	4x M6x60 mm <b>j144</b>	4x <b>k1</b>	4x <b>l84</b>	2x <b>l85</b>
2x 70x50x 49.2 mm <b>n111</b>	2x 130x34x34/2 mm <b>n63</b>	12x Ø4x40 mm <b>p10</b>	4x Ø3.5x25 mm <b>p16</b>	6x Ø4x35 mm <b>p6</b>	4x Ø10x16 mm <b>r43</b>	1x 4 mm <b>z1</b>		

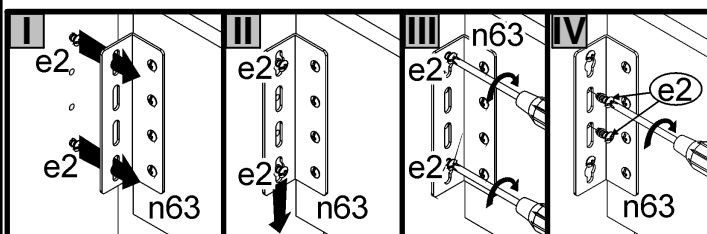
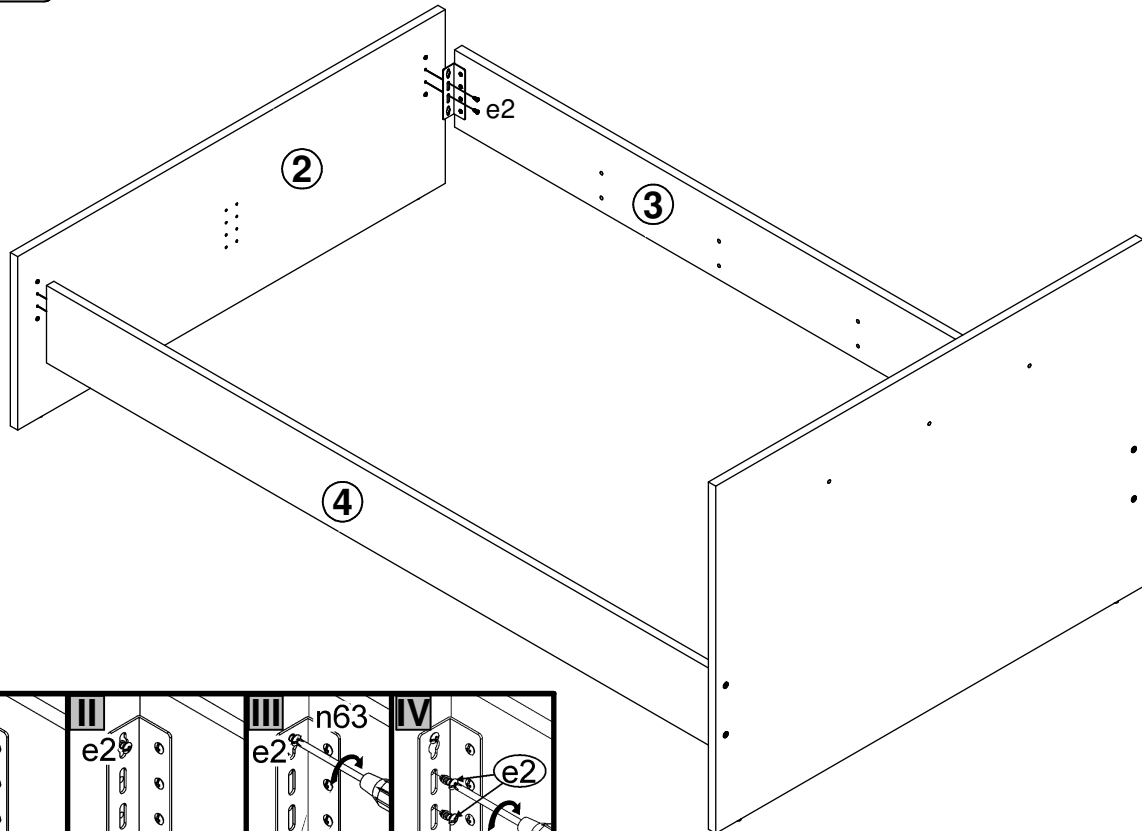
**1** 



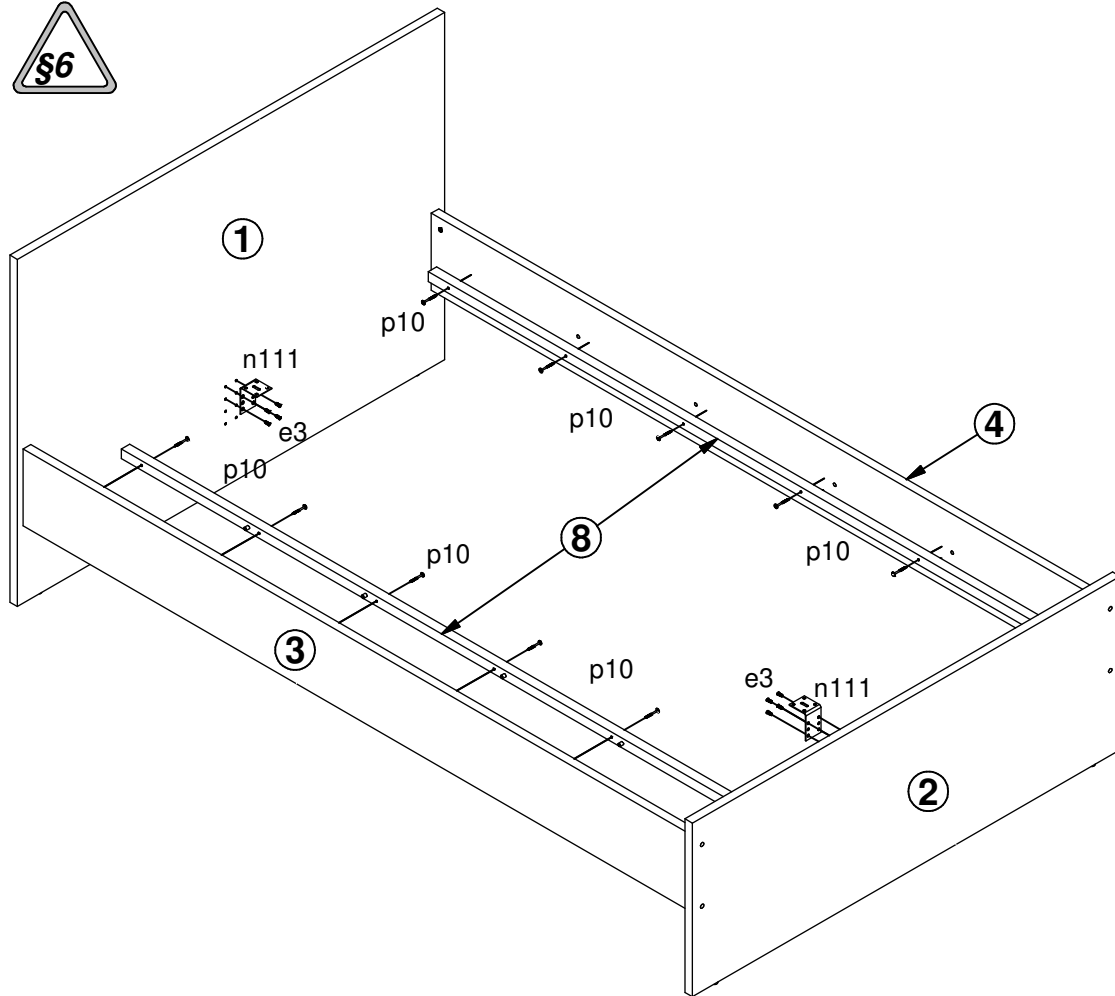
# 2



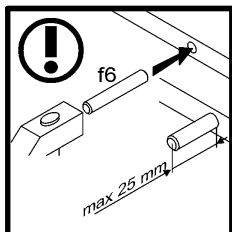
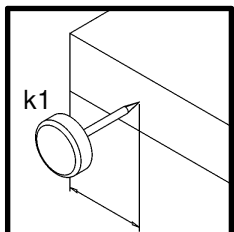
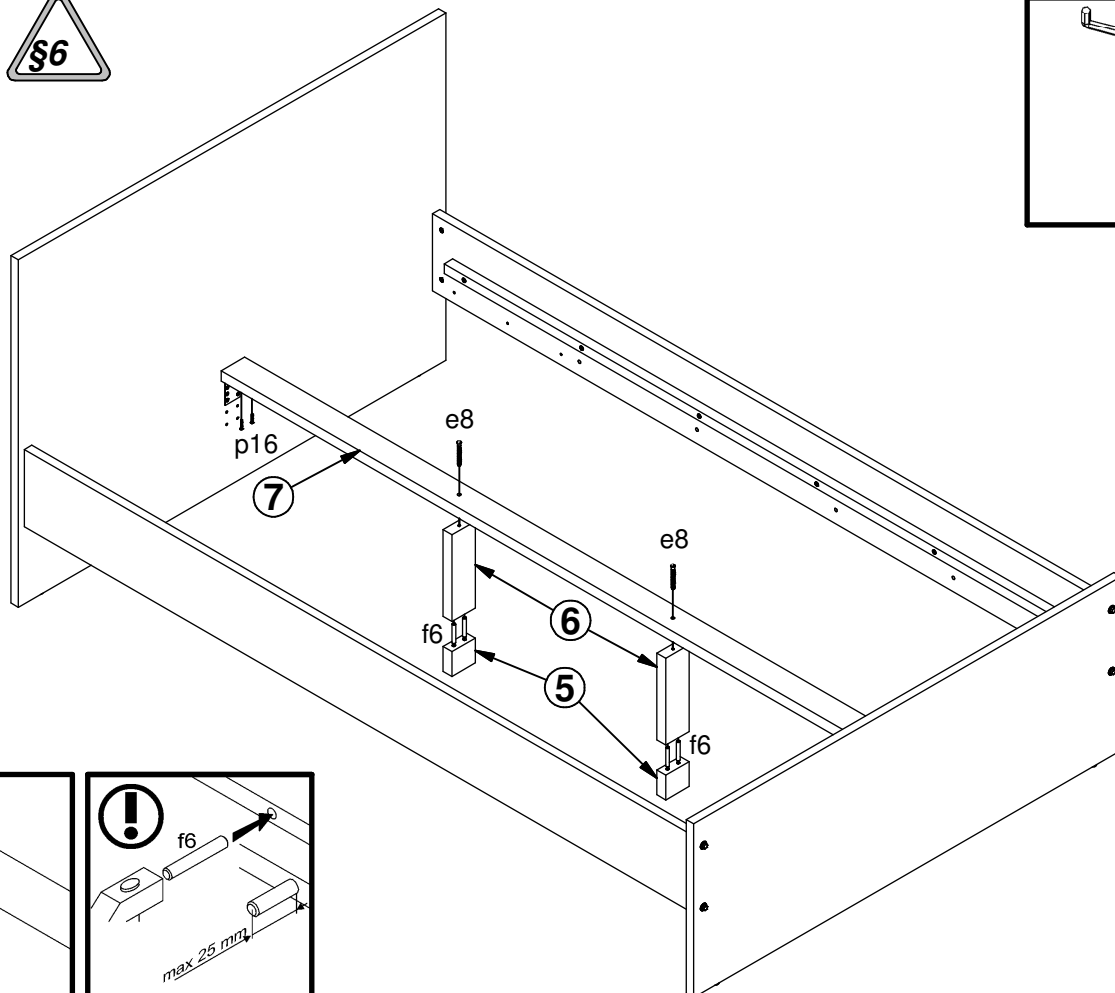
# 3



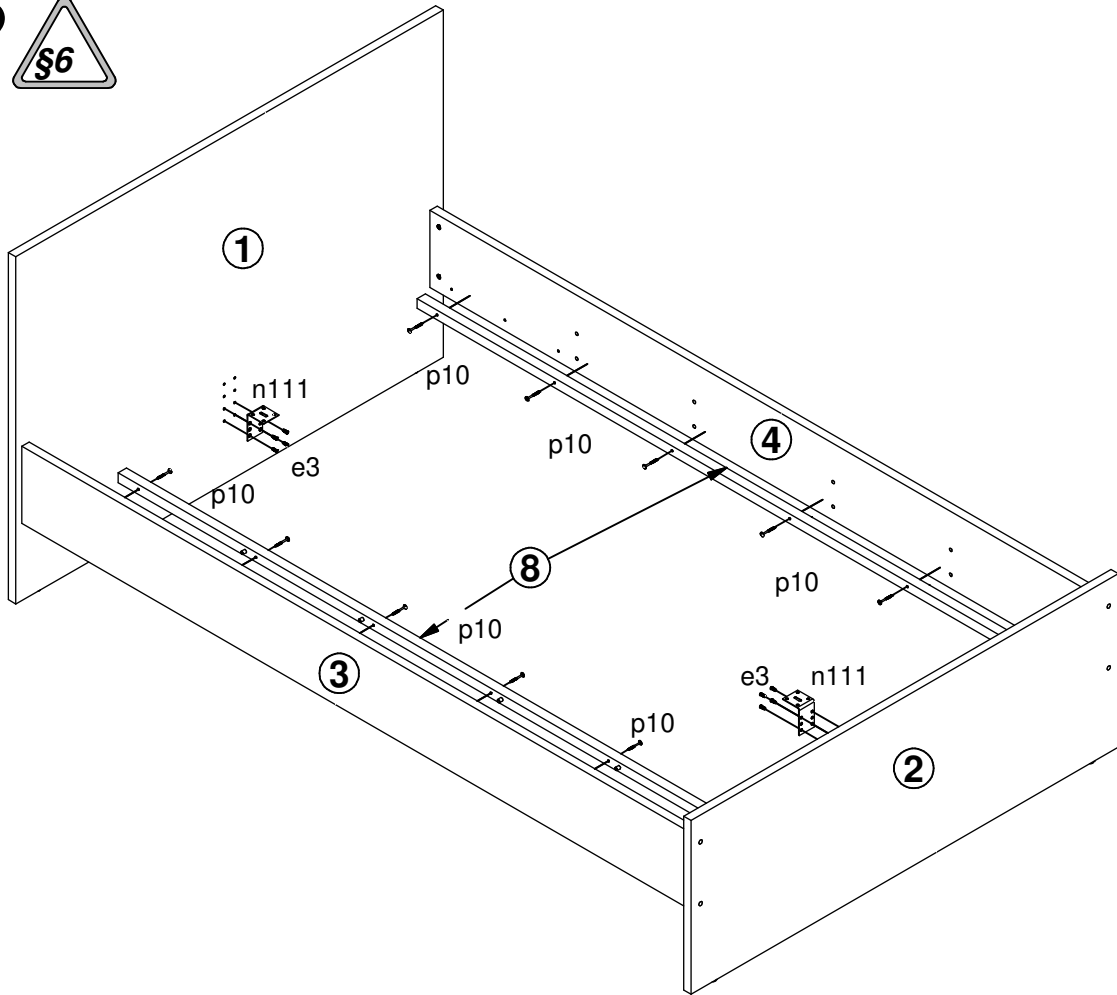
# 4A



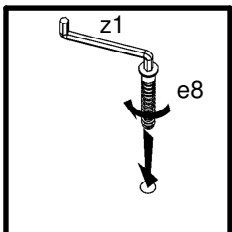
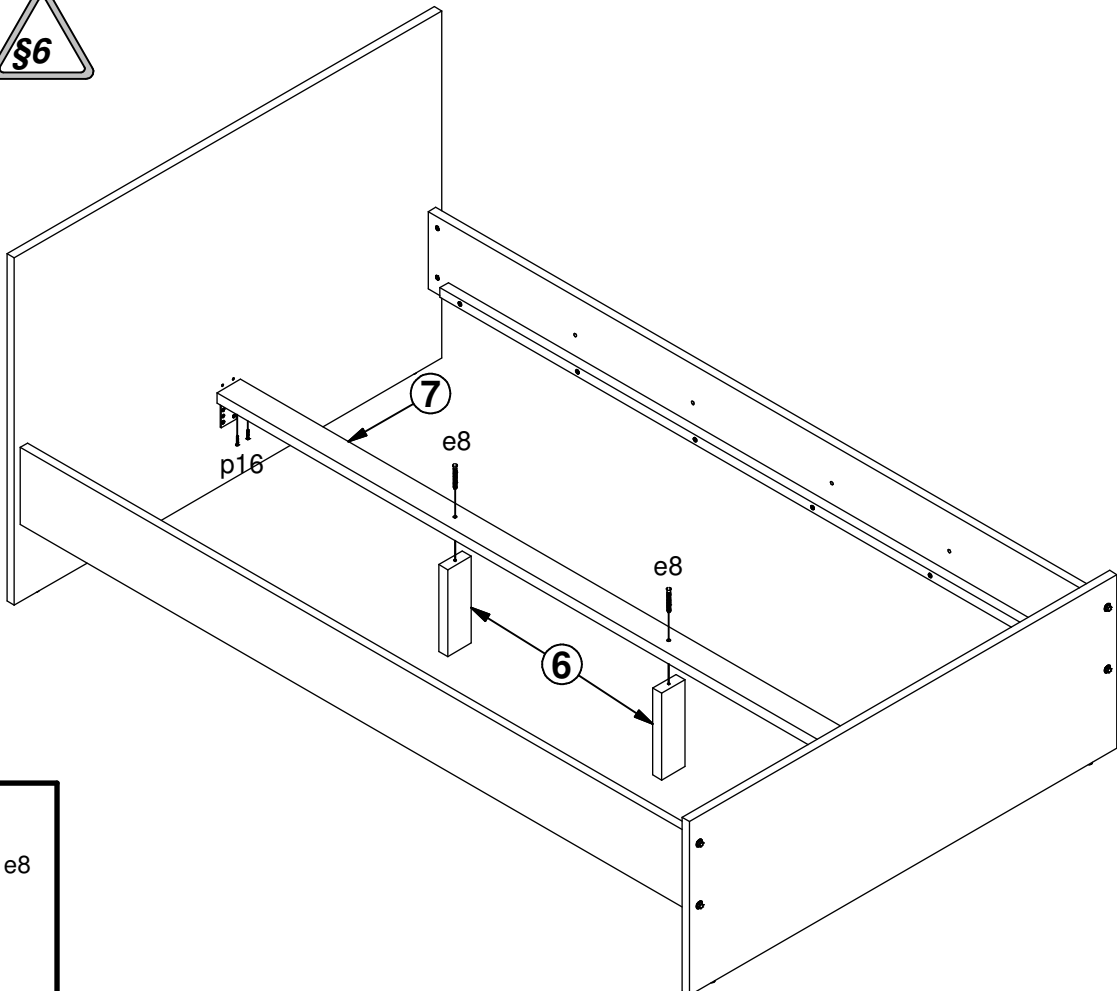
# 5A



# 6B



# 7B



8

