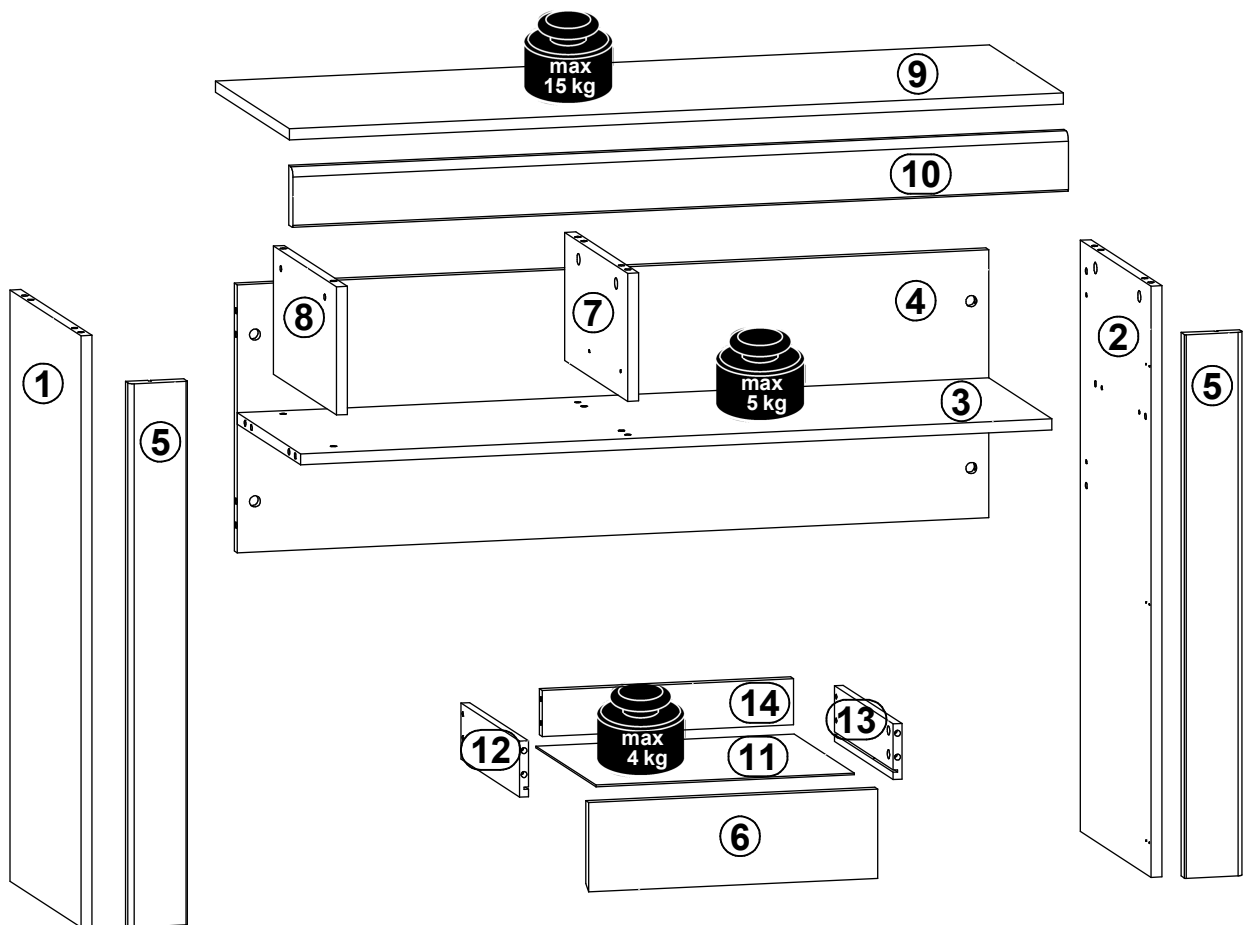
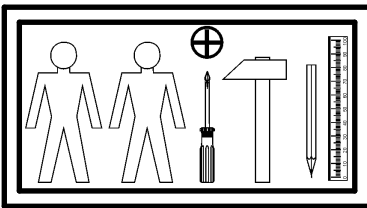
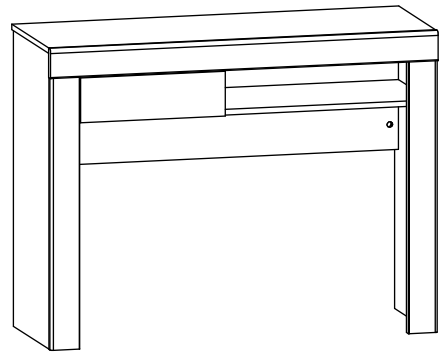
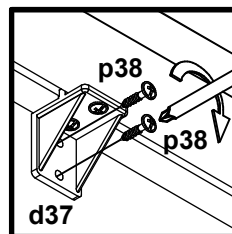
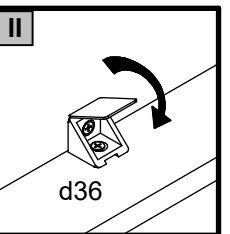
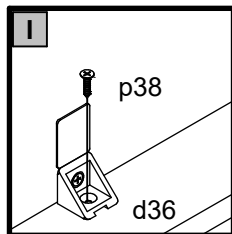
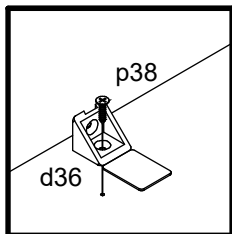
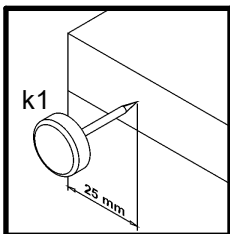
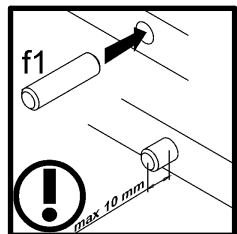
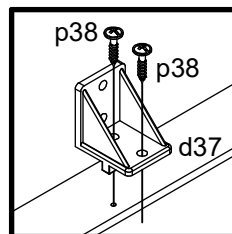
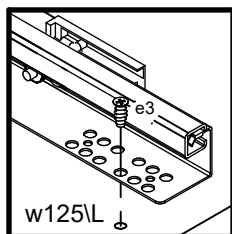
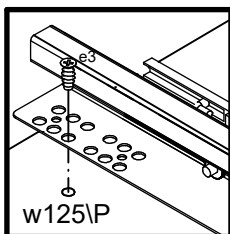
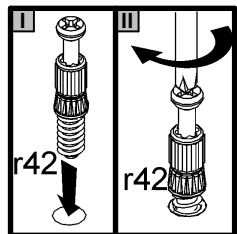
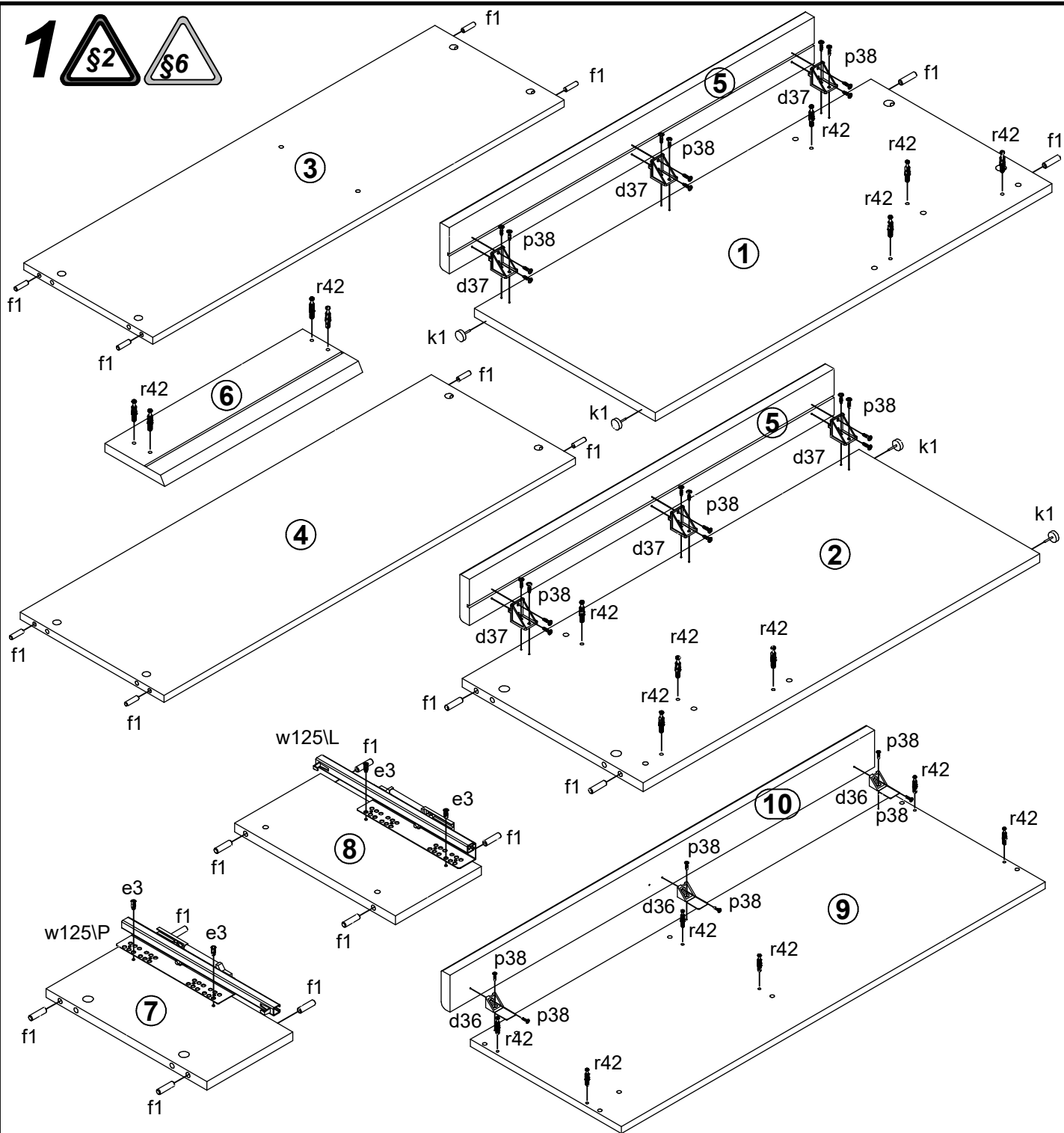


| A | B | C | D |
|----|-----------|------|-----|
| 1 | S440-1057 | 794 | 362 |
| 2 | S440-1058 | 794 | 362 |
| 3 | S440-3039 | 1029 | 323 |
| 4 | S440-5058 | 1029 | 360 |
| 5 | S440-5061 | 730 | 80 |
| 6 | S493-0027 | 396 | 120 |
| 7 | S493-1059 | 172 | 322 |
| 8 | S493-1060 | 172 | 322 |
| 9 | S493-2016 | 1060 | 378 |
| 10 | S493-5102 | 1062 | 80 |
| 11 | S493-9019 | 354 | 307 |
| 12 | ZQ6-525 | 300 | 75 |
| 13 | ZQ6-526 | 300 | 75 |
| 14 | ZQ6-5321 | 344 | 62 |

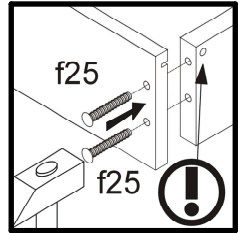
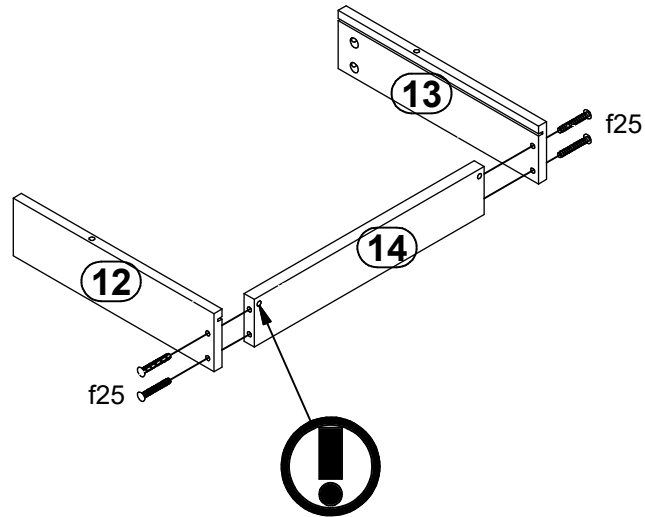


| | | | | | | | | |
|--------------------------------|----------------------------------|--------------------------|--------------------------|---------------------------|-----------------------------|----------------------|------------------------------|-----------------------------|
| 3x d36 | 6x d37 | 2x Ø7x50 mm e1 | 4x Ø6x13 mm e3 | 20x Ø8x30 mm f1 | 4x Ø6,5x40 mm f25 | 4x k1 | 30x Ø3,5x16 mm p38 | 6x Ø2,9x16 mm p55 |
| 14x Ø15x12 mm #16 r1 | 4x Ø12x10,5 mm #12 r15 | 18x r42 | 2x Ø 20mm s68 | 1x 300mm w125/L | 1x 300mm w125/P | 1x 4 mm z1 | | |

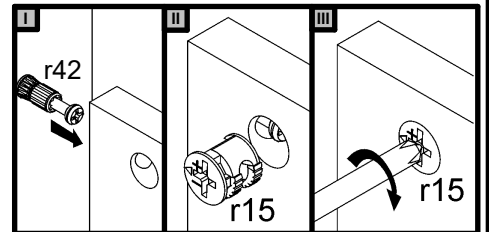
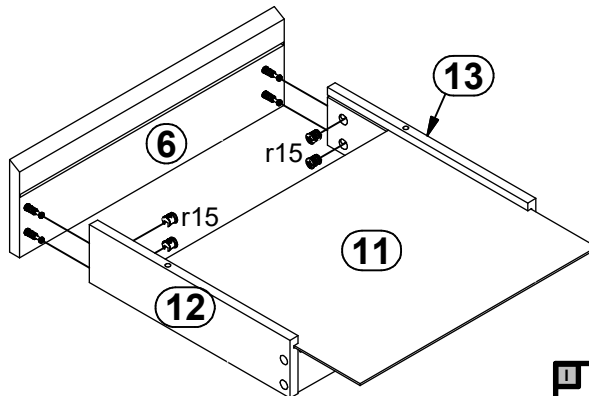
1  §2  §6



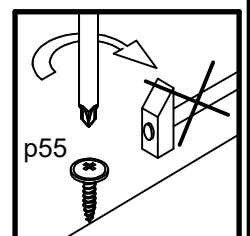
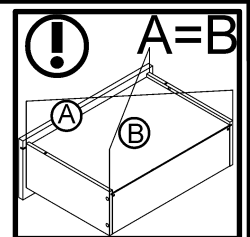
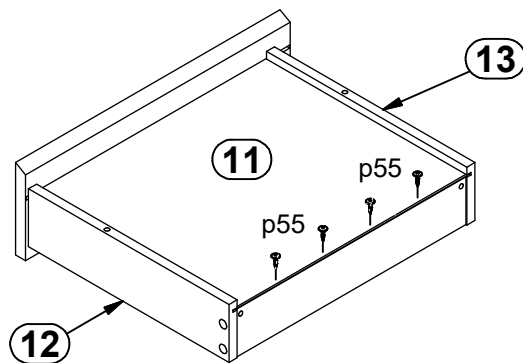
2  



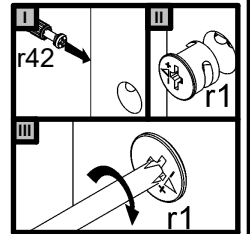
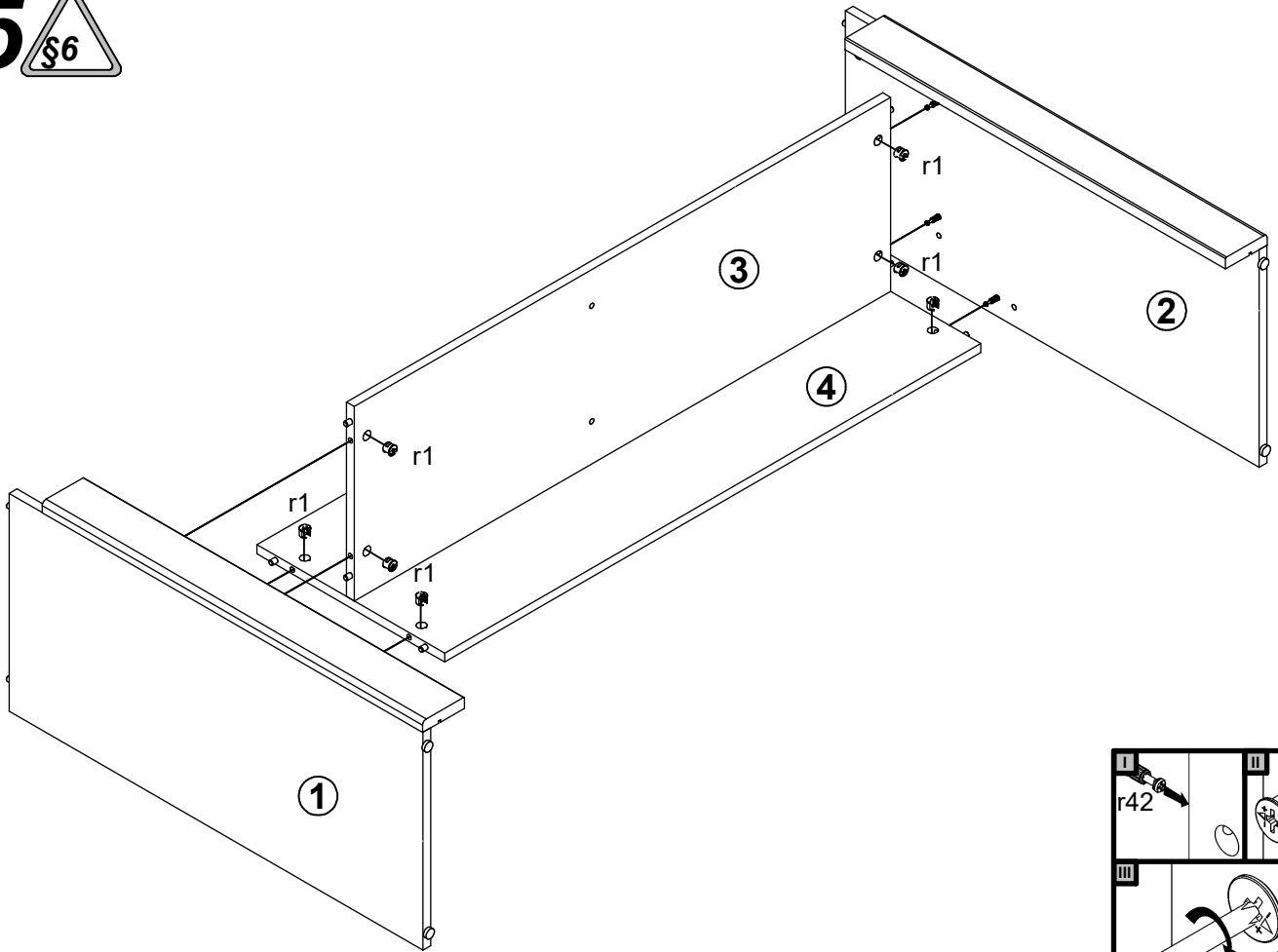
3 



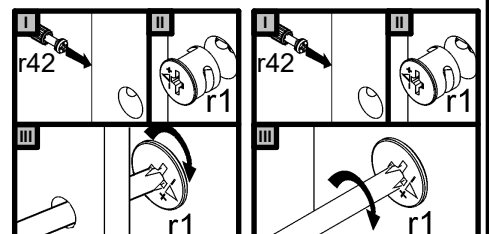
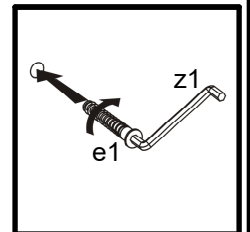
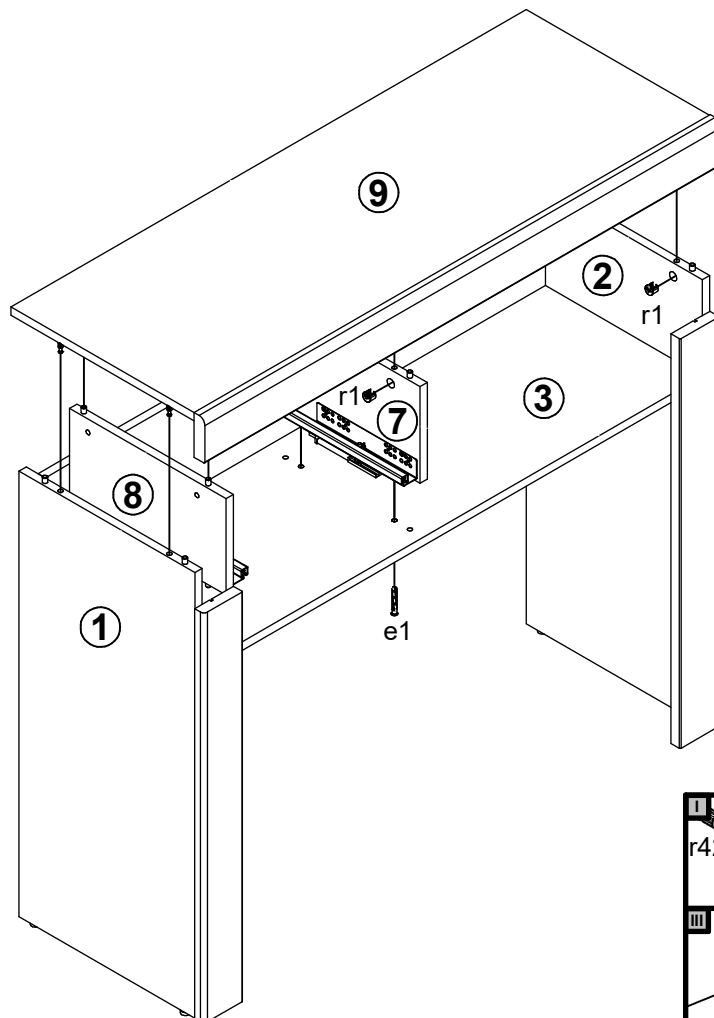
4  



5



6



7 §6

