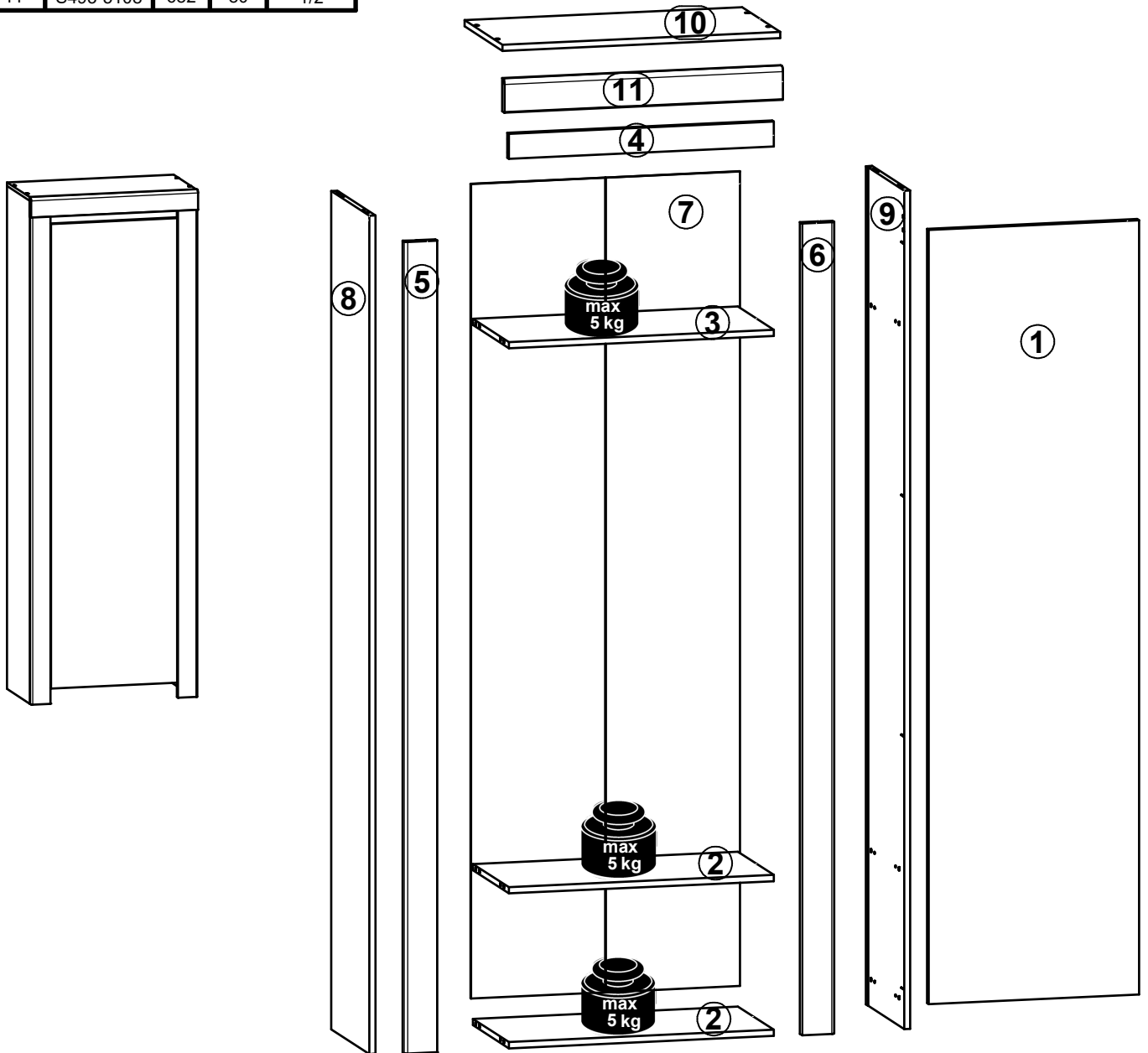
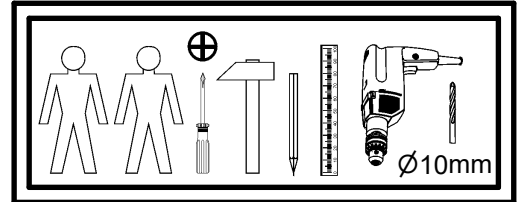
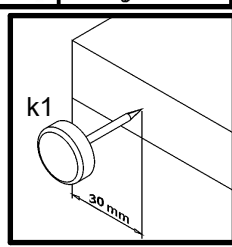
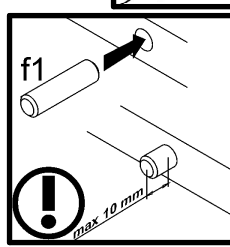
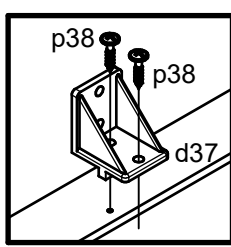
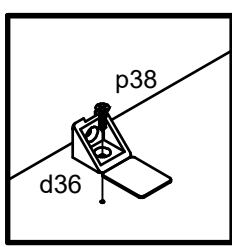
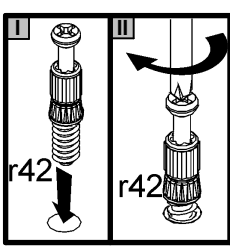
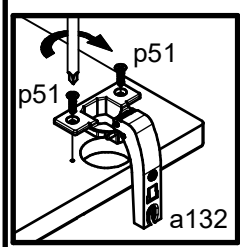
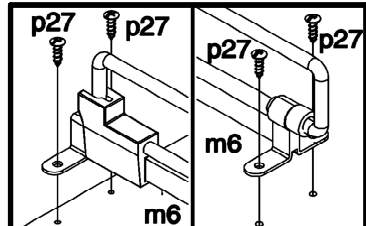
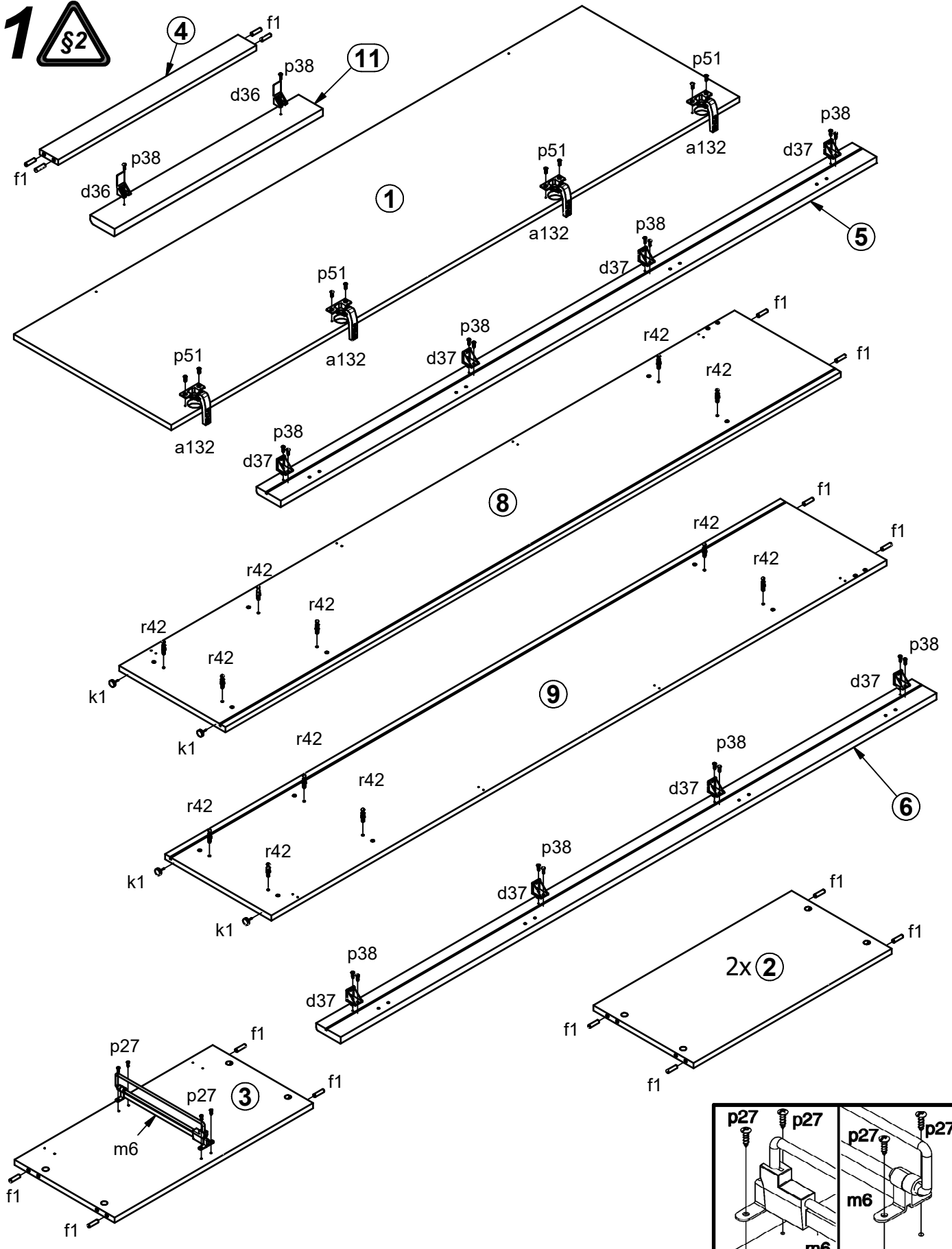


A	B	C	D
1	S440-0013	1860	515
2	S440-3014	649	328
3	S440-3016	649	328
4	S440-4020	649	60
5	S440-5013	1950	80
6	S440-5024	1950	80
7	S440-9304	1957	659
8	S493-1025	2014	348
9	S493-1026	2014	348
10	S493-2006	680	348
11	S493-5108	682	80

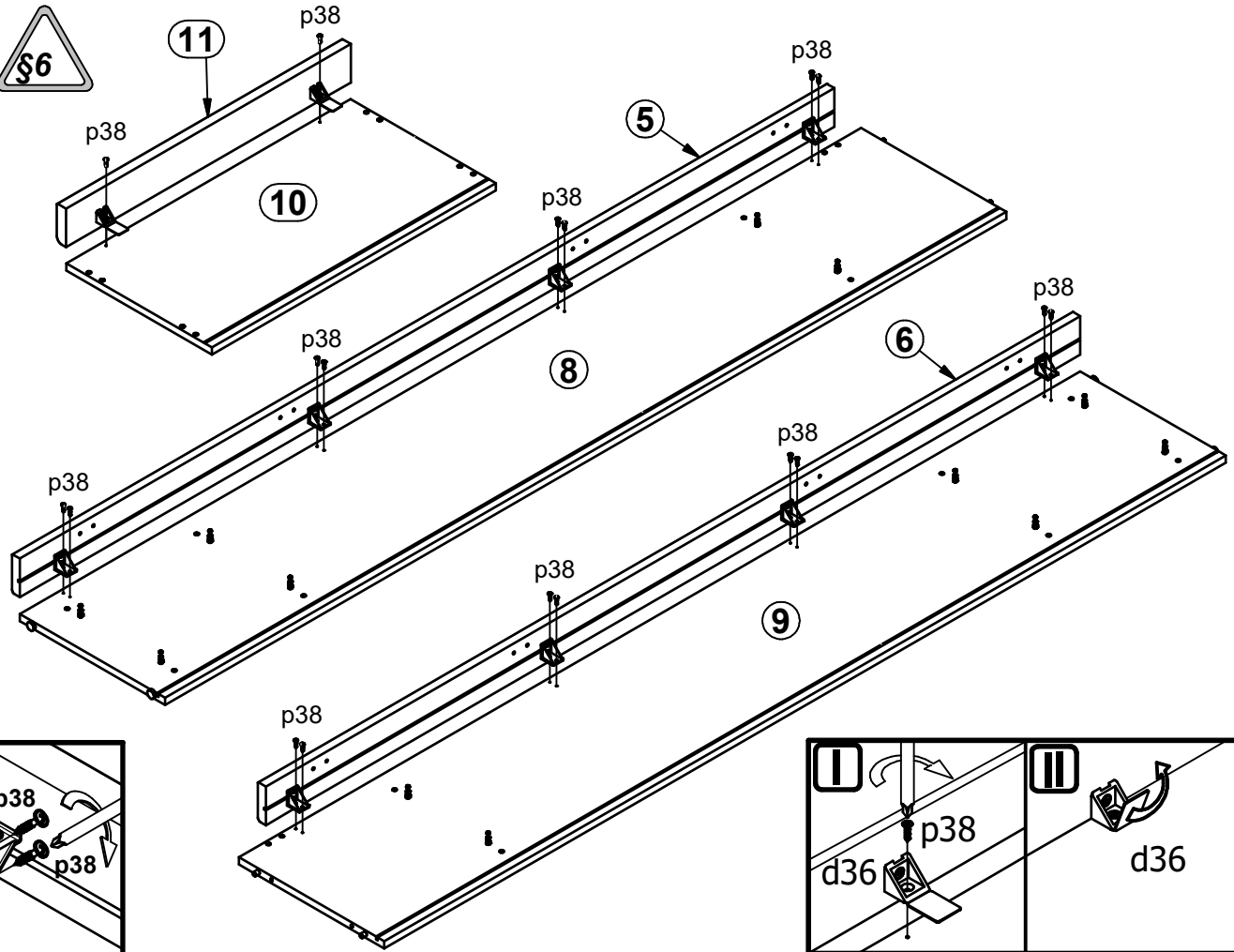


4x a132	4x b78	2x d36	8x d37	4x e1 Ø7x50 mm	8x e2 Ø6.3x13 mm	20x f1 Ø8x30 mm	4x k1	11x i2
1x m6 L=300 mm	4x p27 Ø3.5x13 mm	40x p38 Ø3.5x16 mm	8x p51 Ø3.5x15 mm	8x p55 Ø2.9x16 mm	12x r1 Ø15x12 mm #16	12x r42 20/11	4x s68 Ø 20mm	1x z1 4 mm
1x z28\1	1x z28\2 82x9.5x6.5mm	1x z28\3 20x20x1.5 mm	3x z28\4 Ø3x12mm	2x n14\2 86x21x15x1.5	2x f35 Ø10x50 mm	2x p17 Ø5x60 mm		

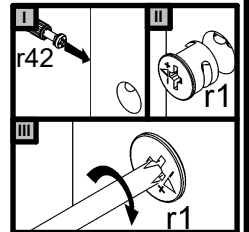
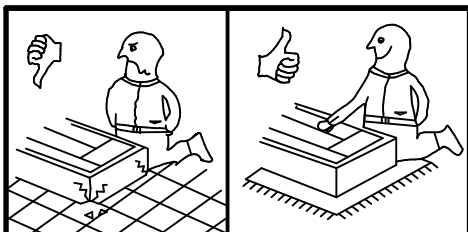
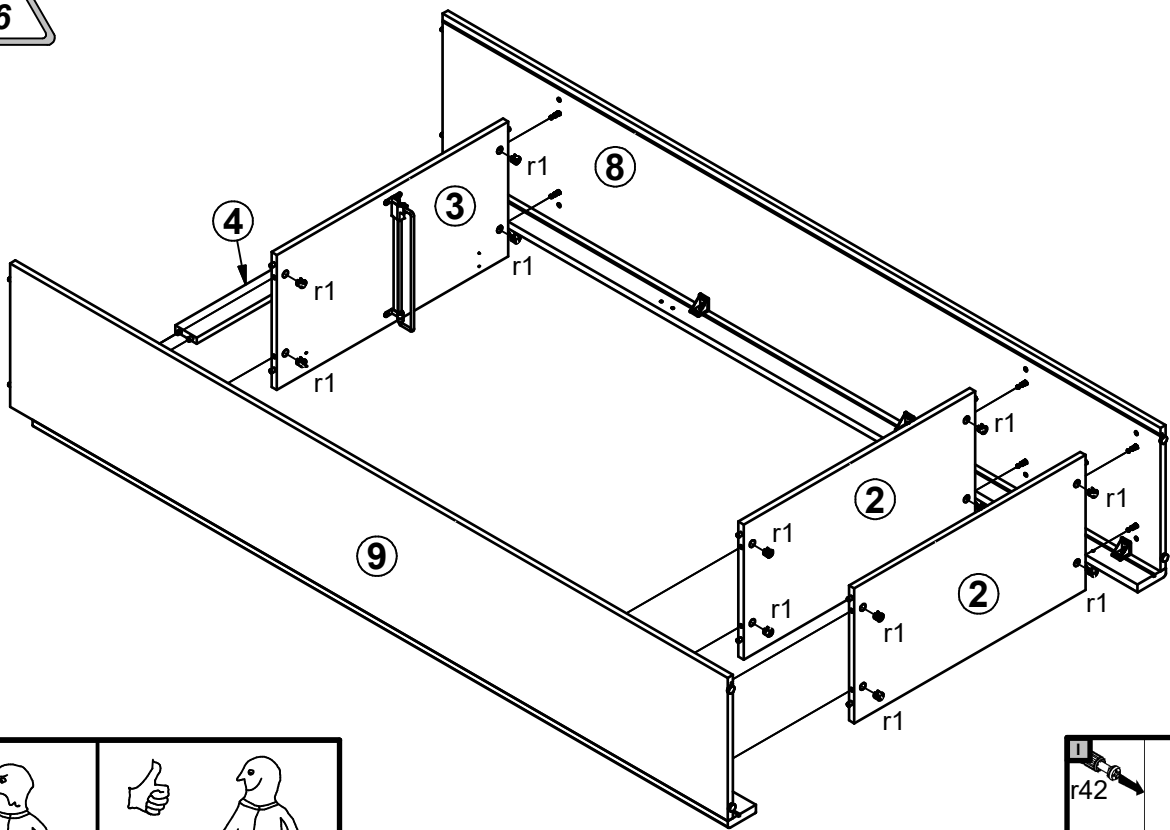
1 



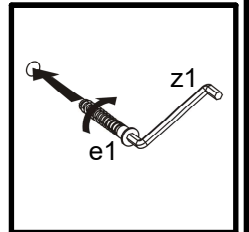
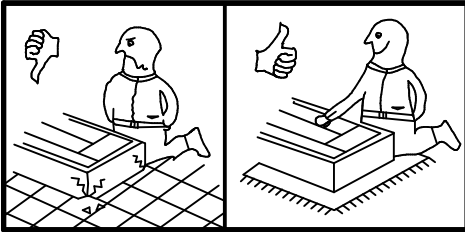
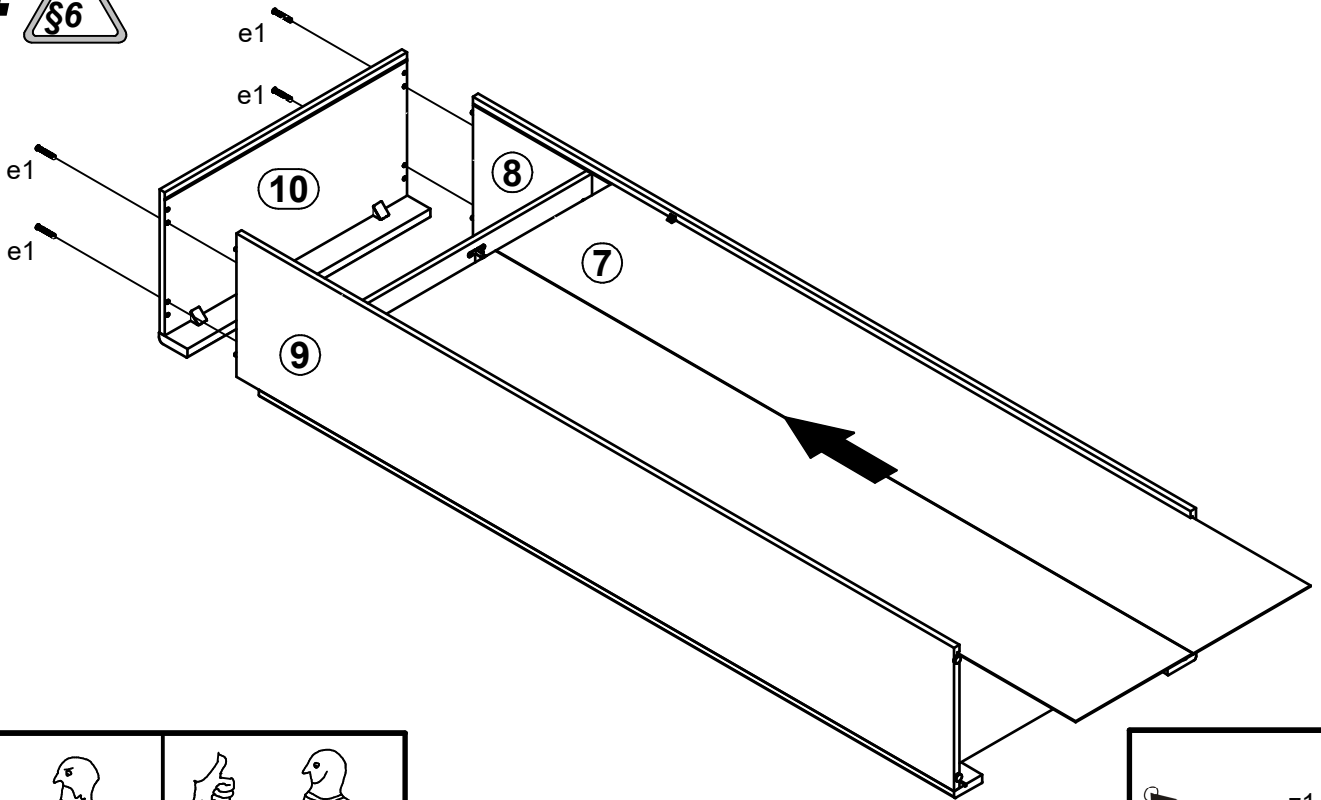
2



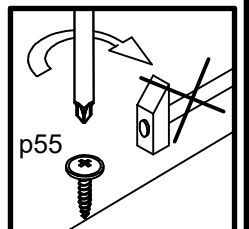
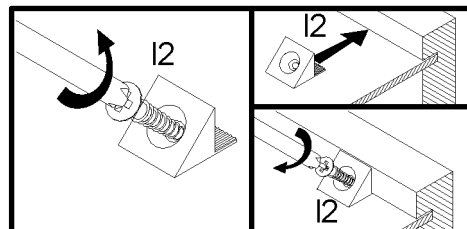
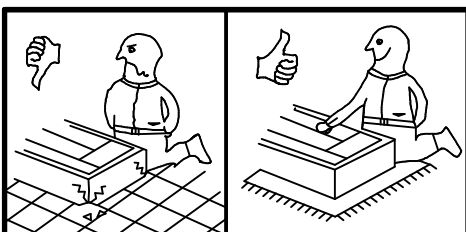
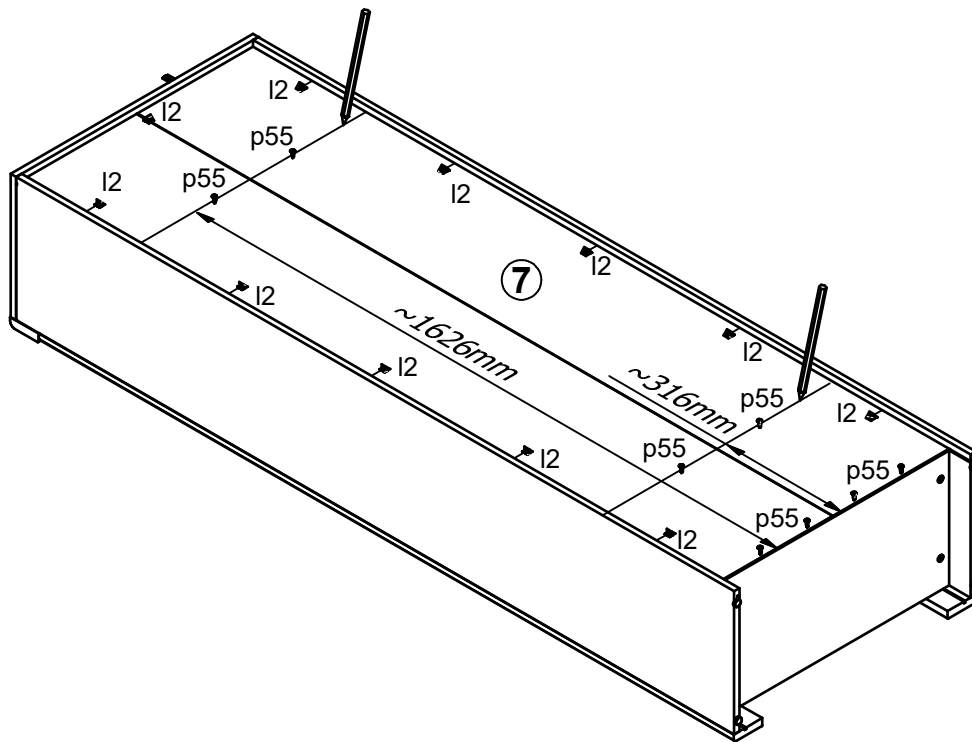
3



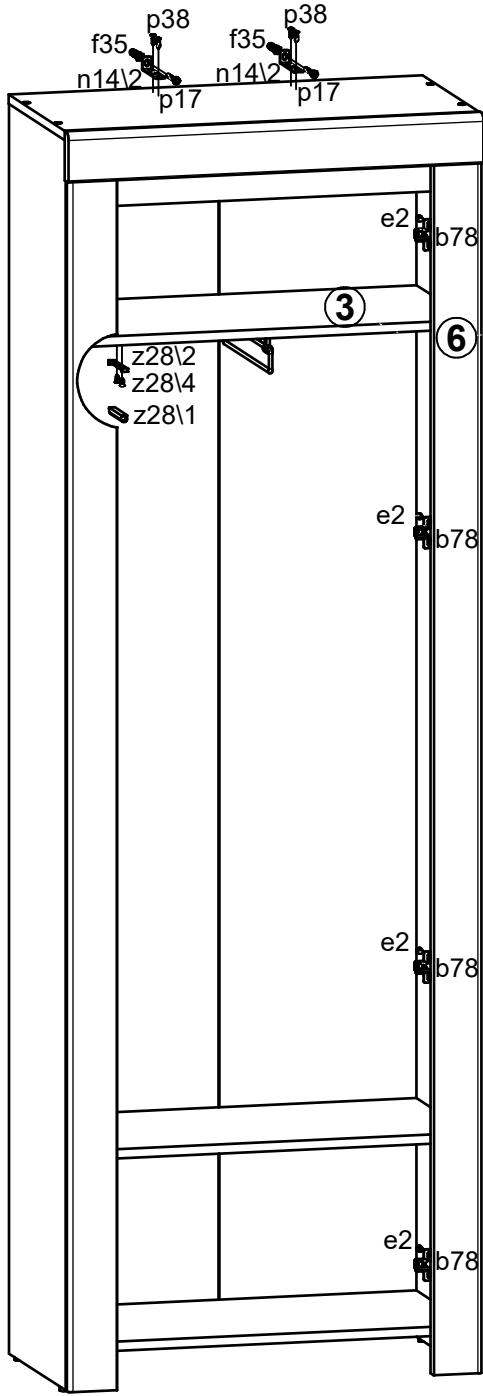
4



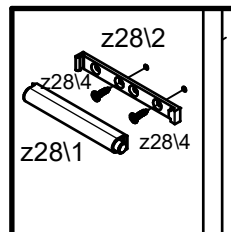
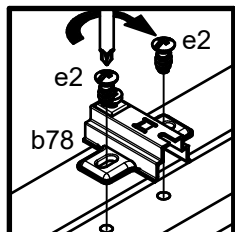
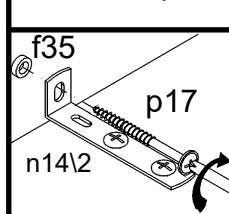
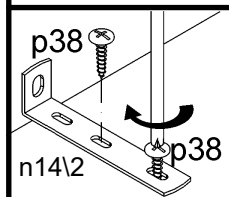
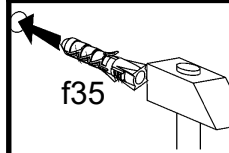
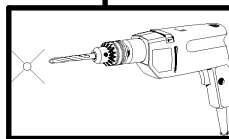
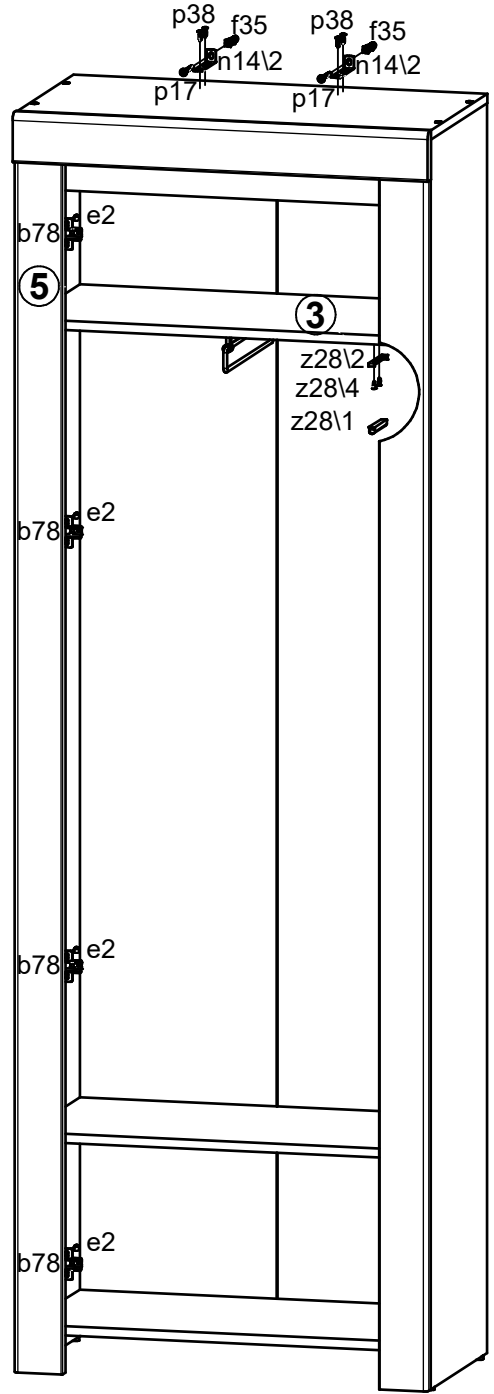
5



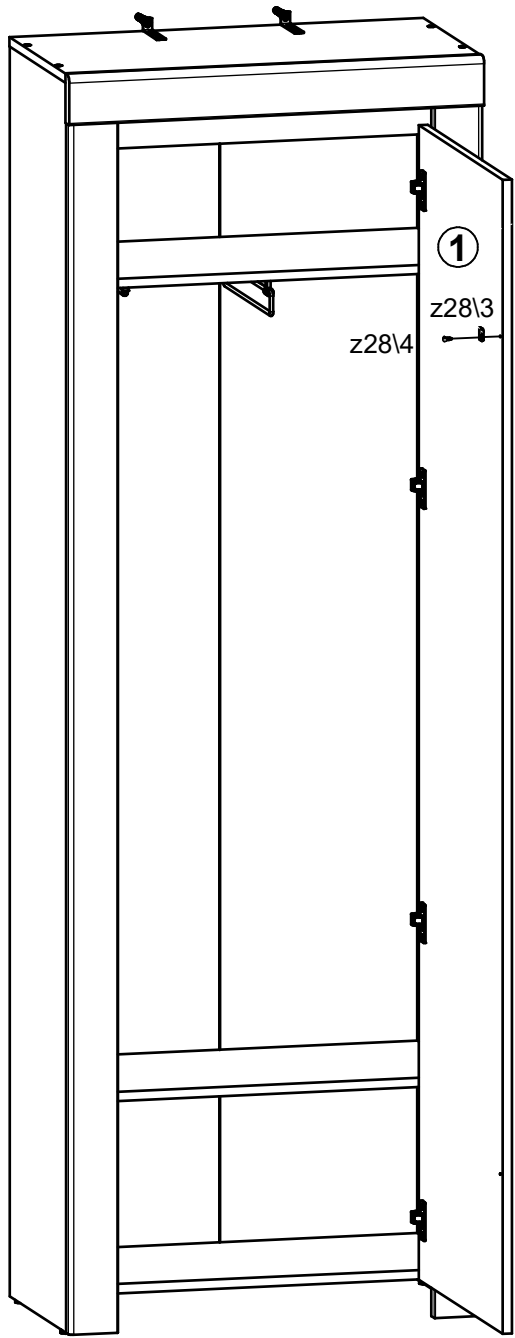
6A



6B



7A



7B

