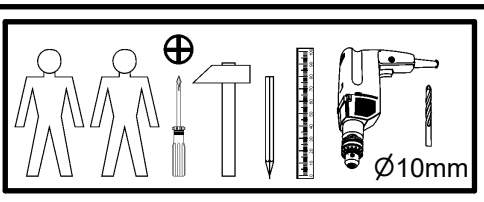
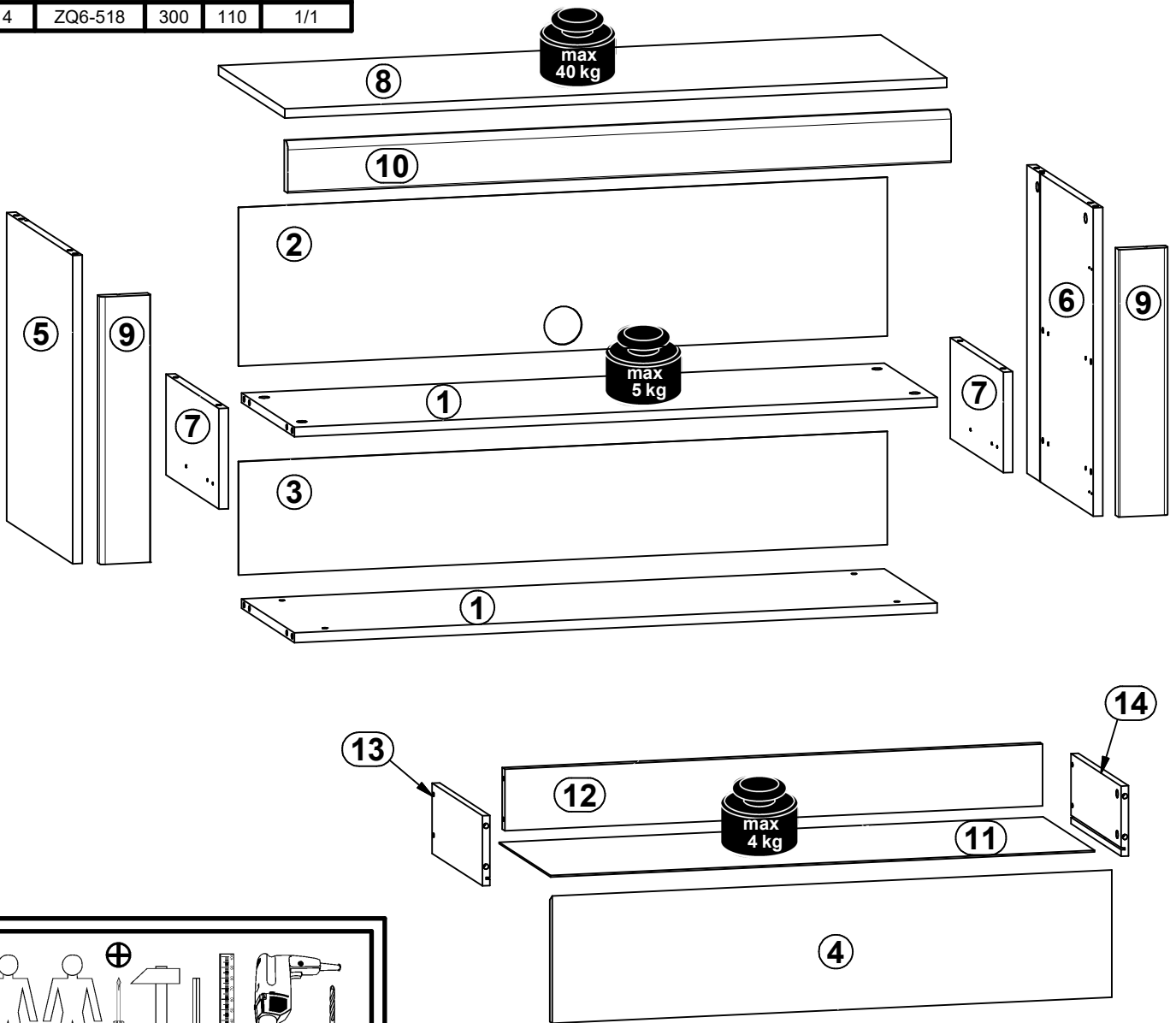
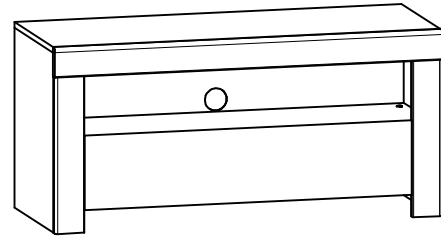
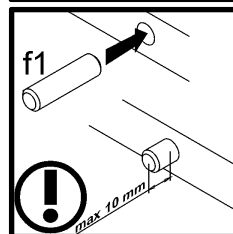
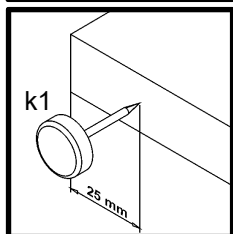
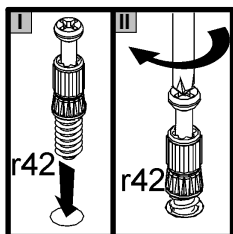
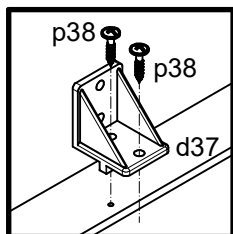
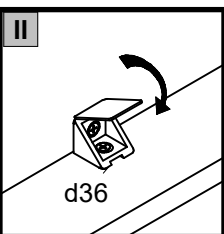
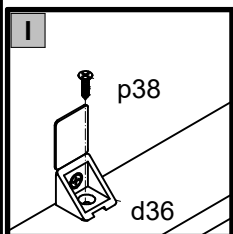
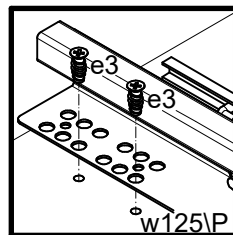
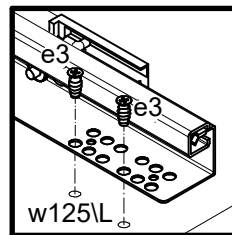
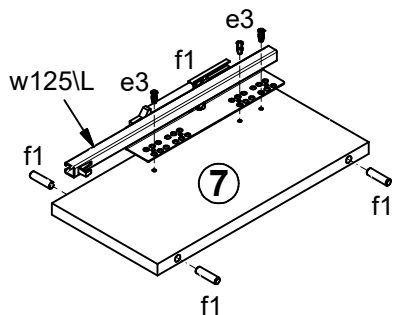
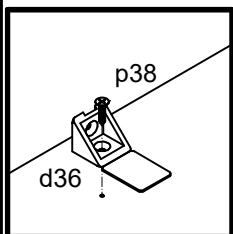
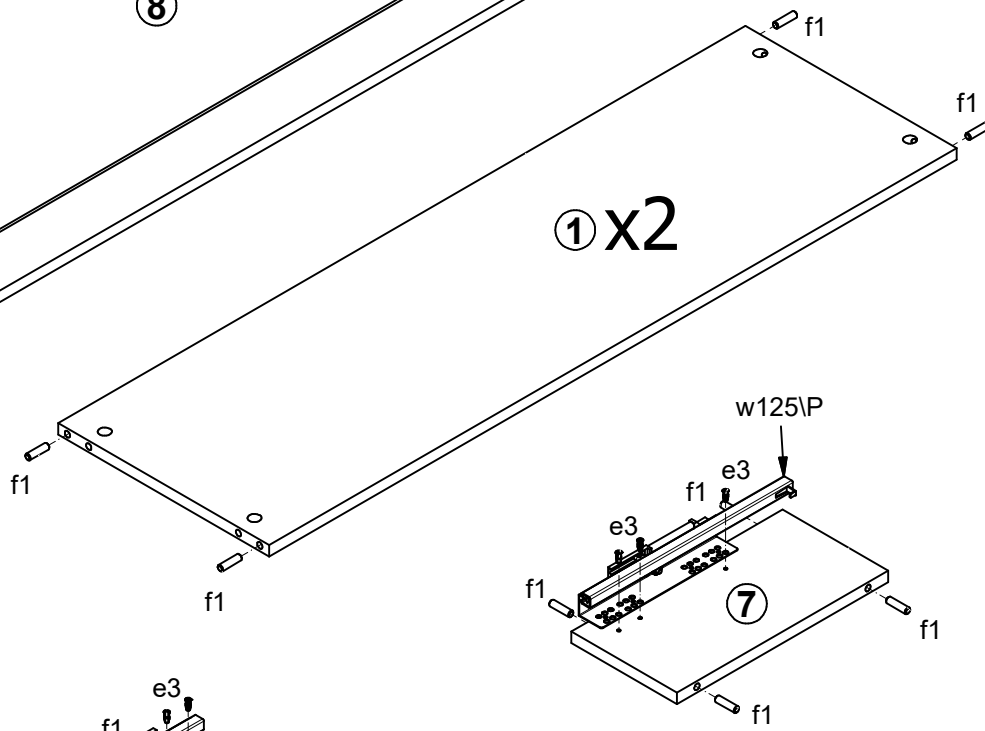
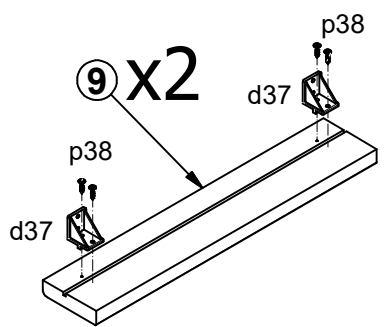
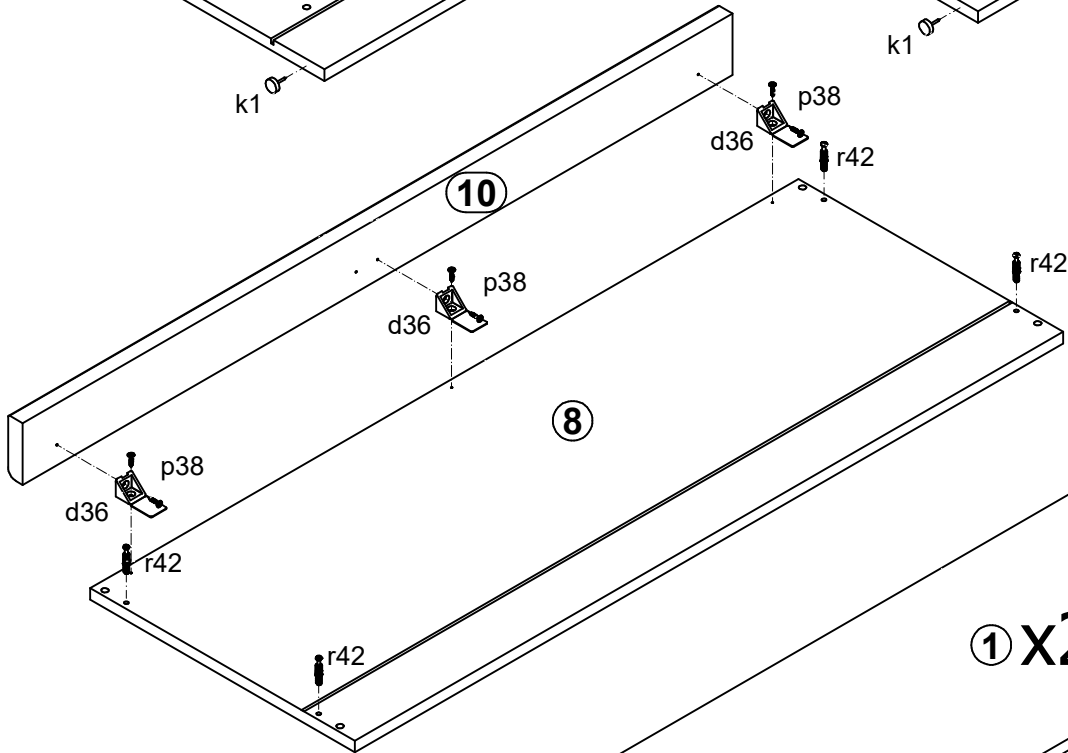
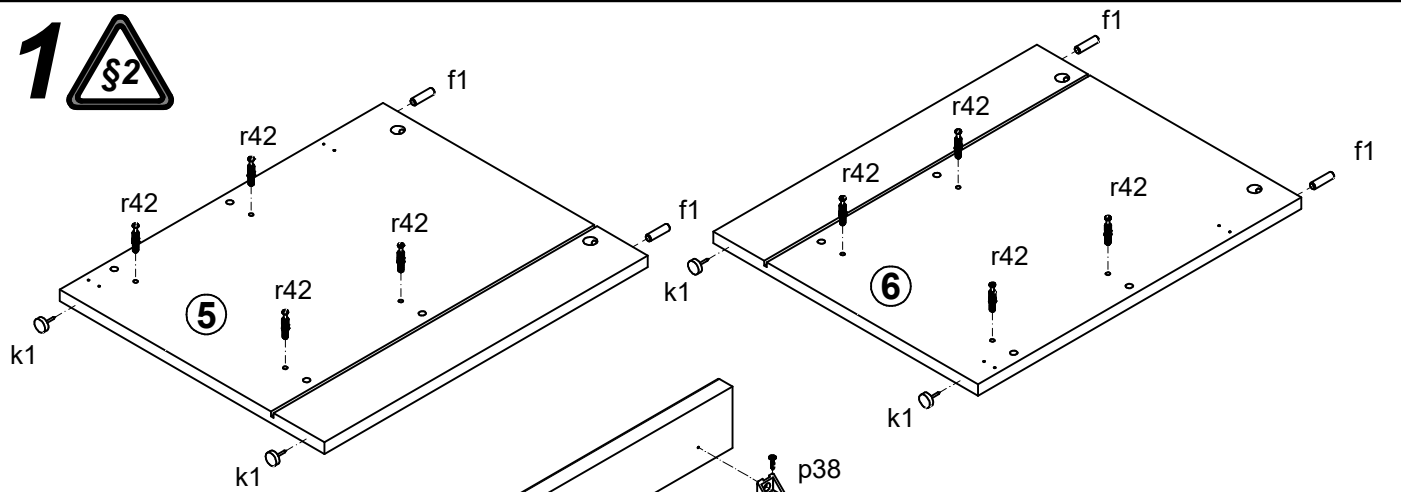


A	B	C	D
1	S440-3022	1029	316
2	S440-9011	1039	249
3	S440-9012	1039	178
4	S493-0018	896	200
5	S493-1033	484	396
6	S493-1034	484	396
7	S493-1035	158	316
8	S493-2009	1060	396
9	S493-5039	420	80
10	S493-5102	1062	80
11	S493-9013	871	307
12	ZQ6-5078	861	97
13	ZQ6-517	300	110
14	ZQ6-518	300	110

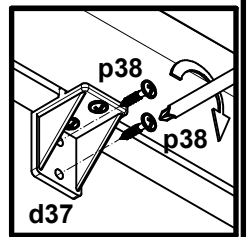
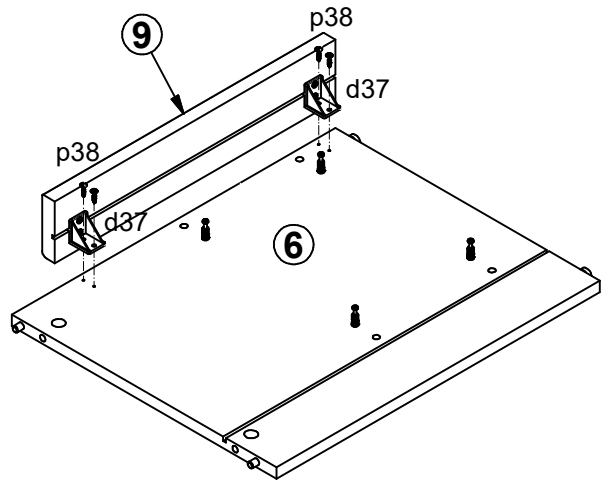
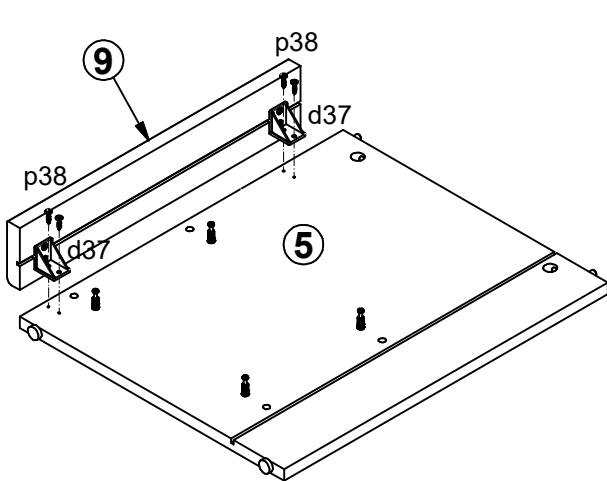


3x d36	4x d37	6x Ø6x13 mm e3	20x Ø8x30 mm f1	4x Ø6,5x40 mm f25	4x k1	6x l2	5x 22x9,5x210,7 mm n108	1x Ø3,5x10 mm p35
23x Ø3,5x16 mm p38	1x Ø3,5x15 mm p51	18x Ø2,9x16 mm p55	12x Ø15x12 mm #16 r1	4x Ø12x10,5 mm #12 r15	16x 20/11 r42	4x Ø 20mm s68	1x 300mm t25	1x 300mm w125/L
1x 300mm w125/P								1x n26

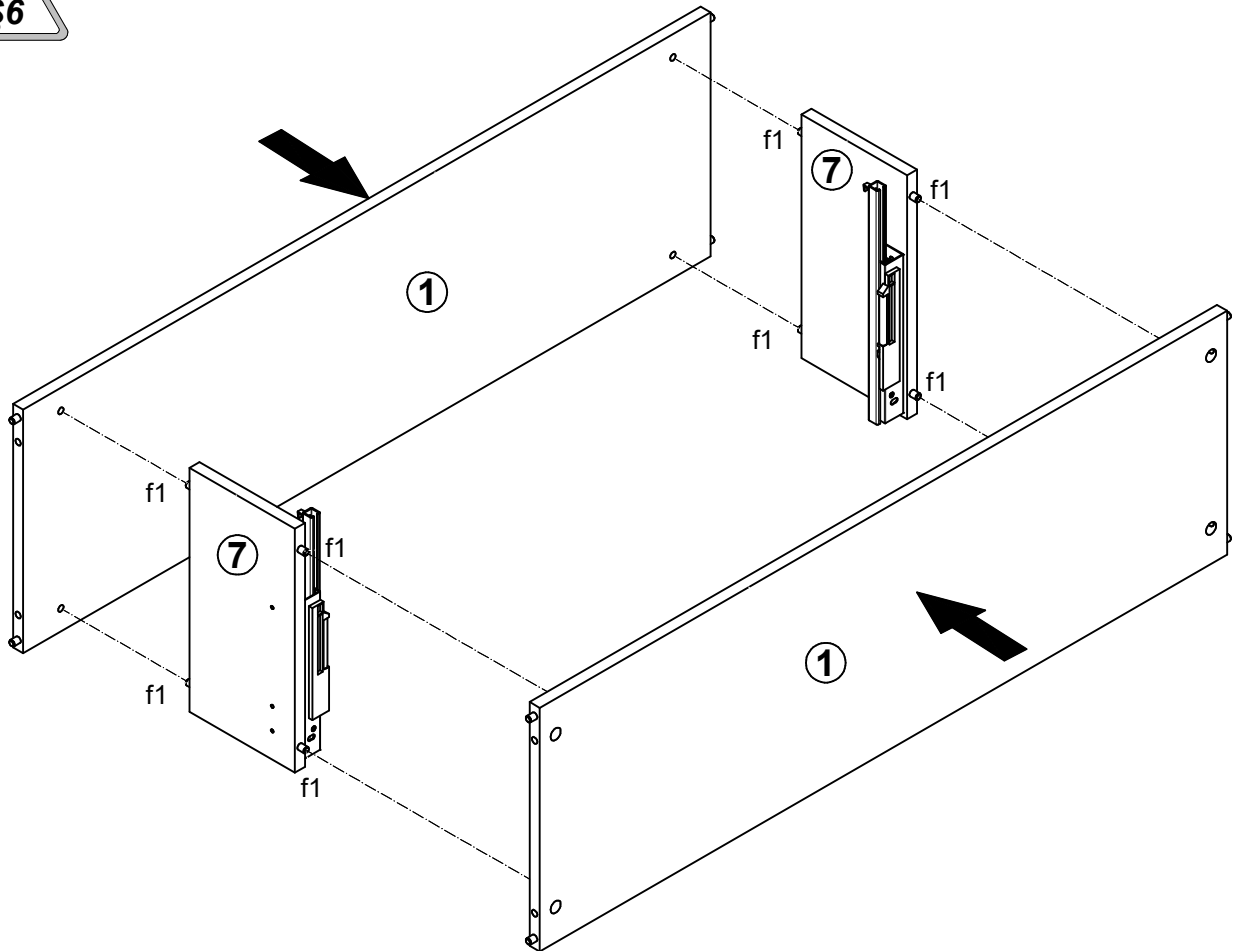
1 



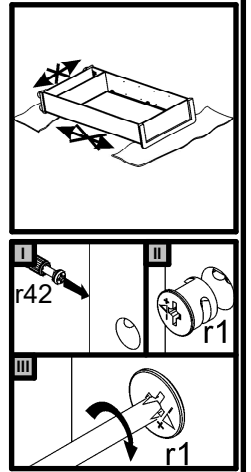
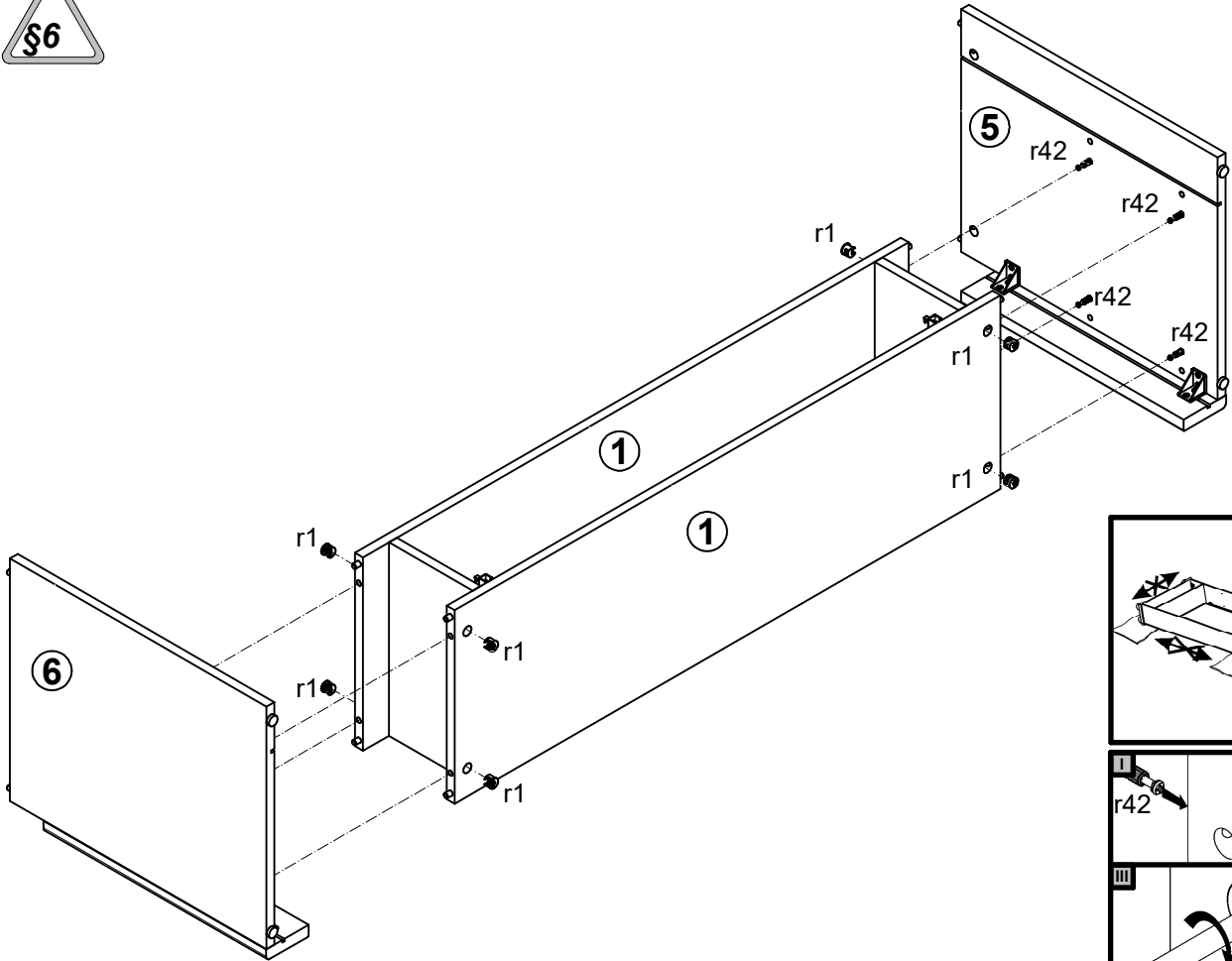
2 §6



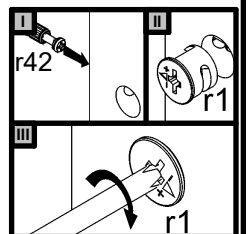
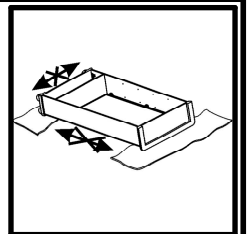
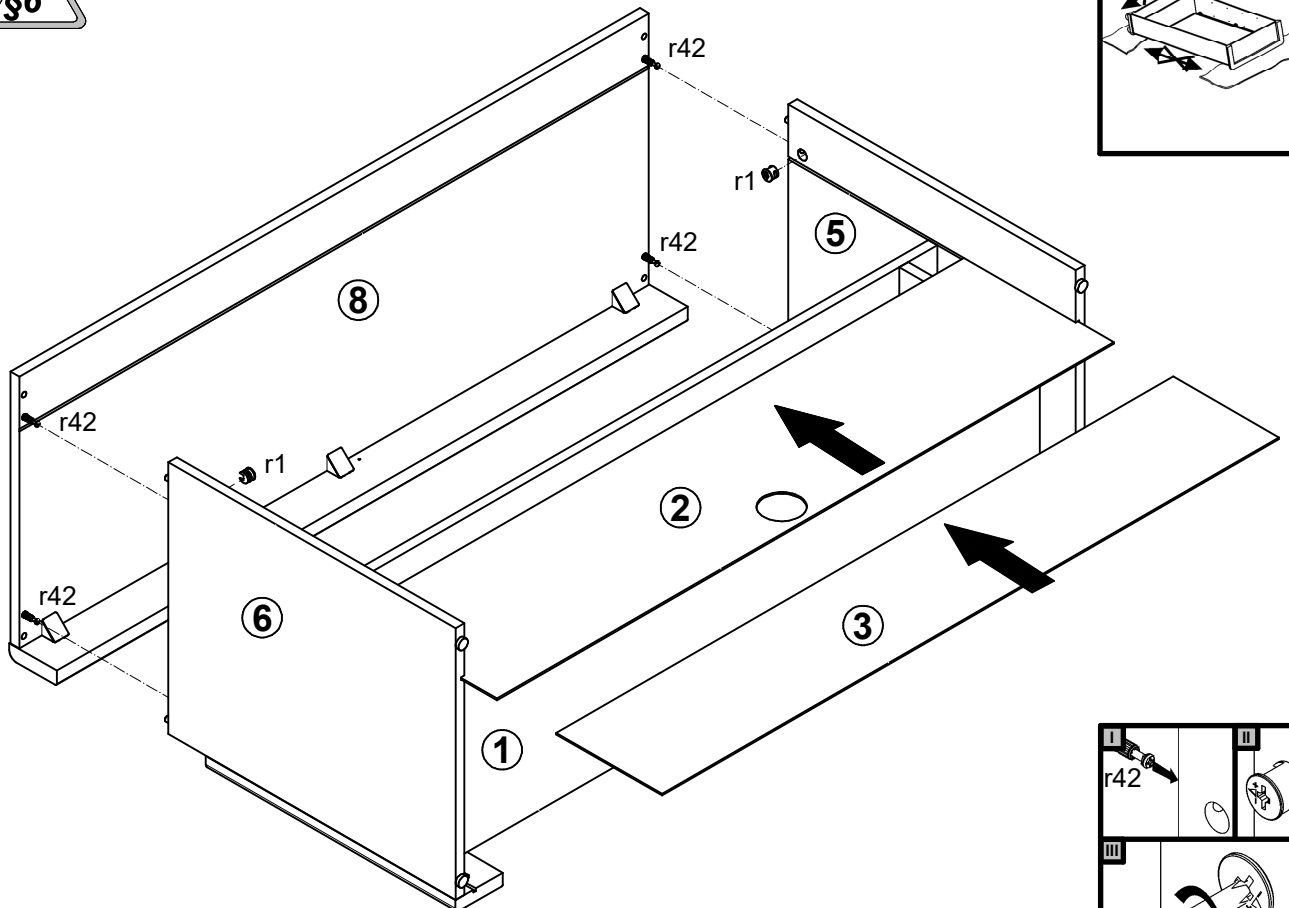
3 §6



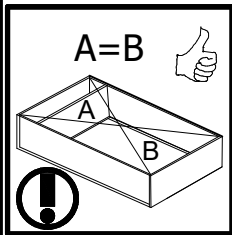
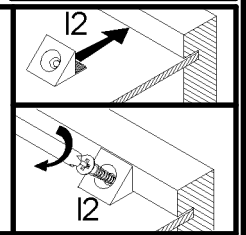
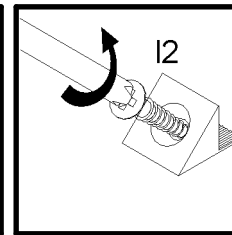
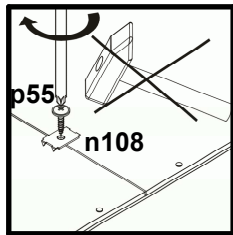
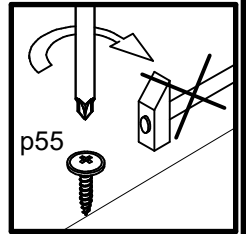
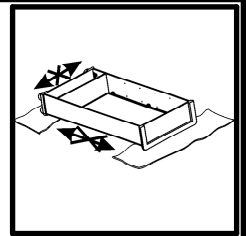
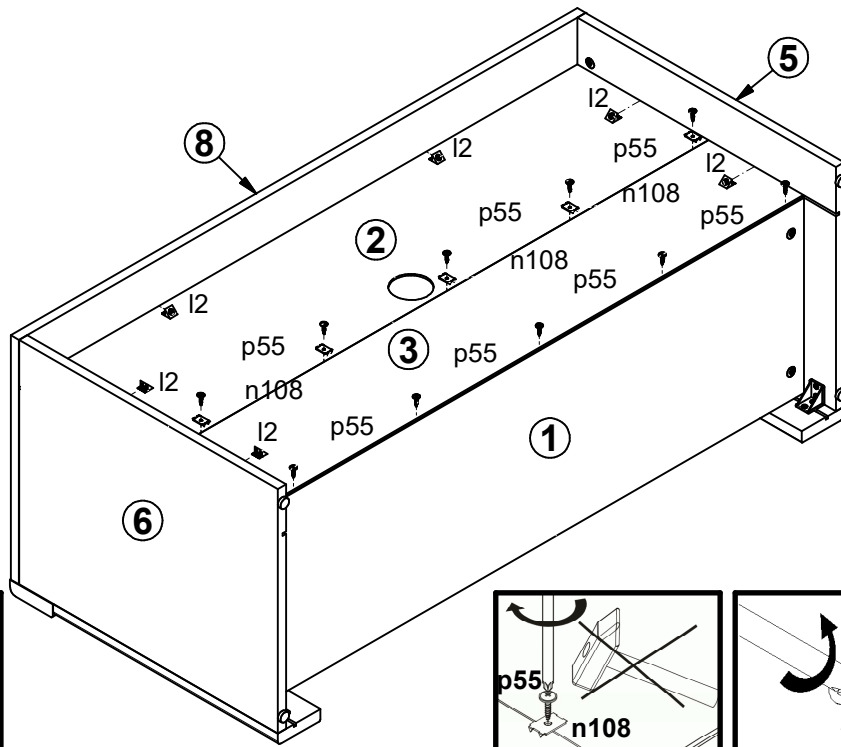
4 §6



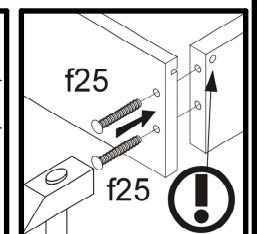
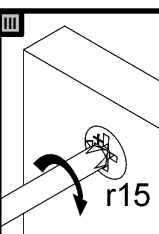
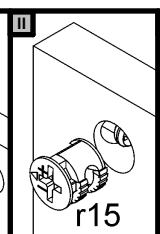
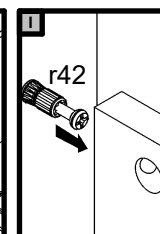
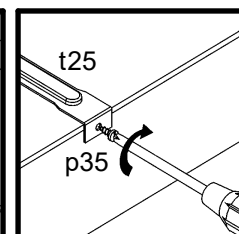
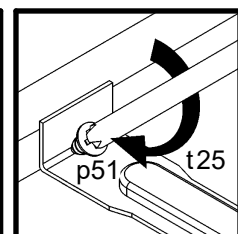
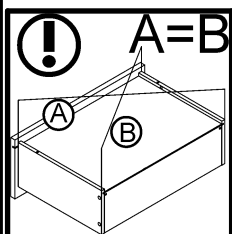
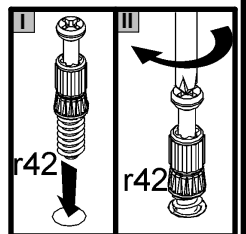
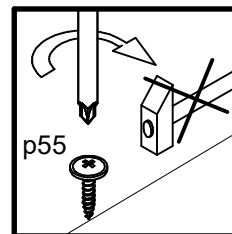
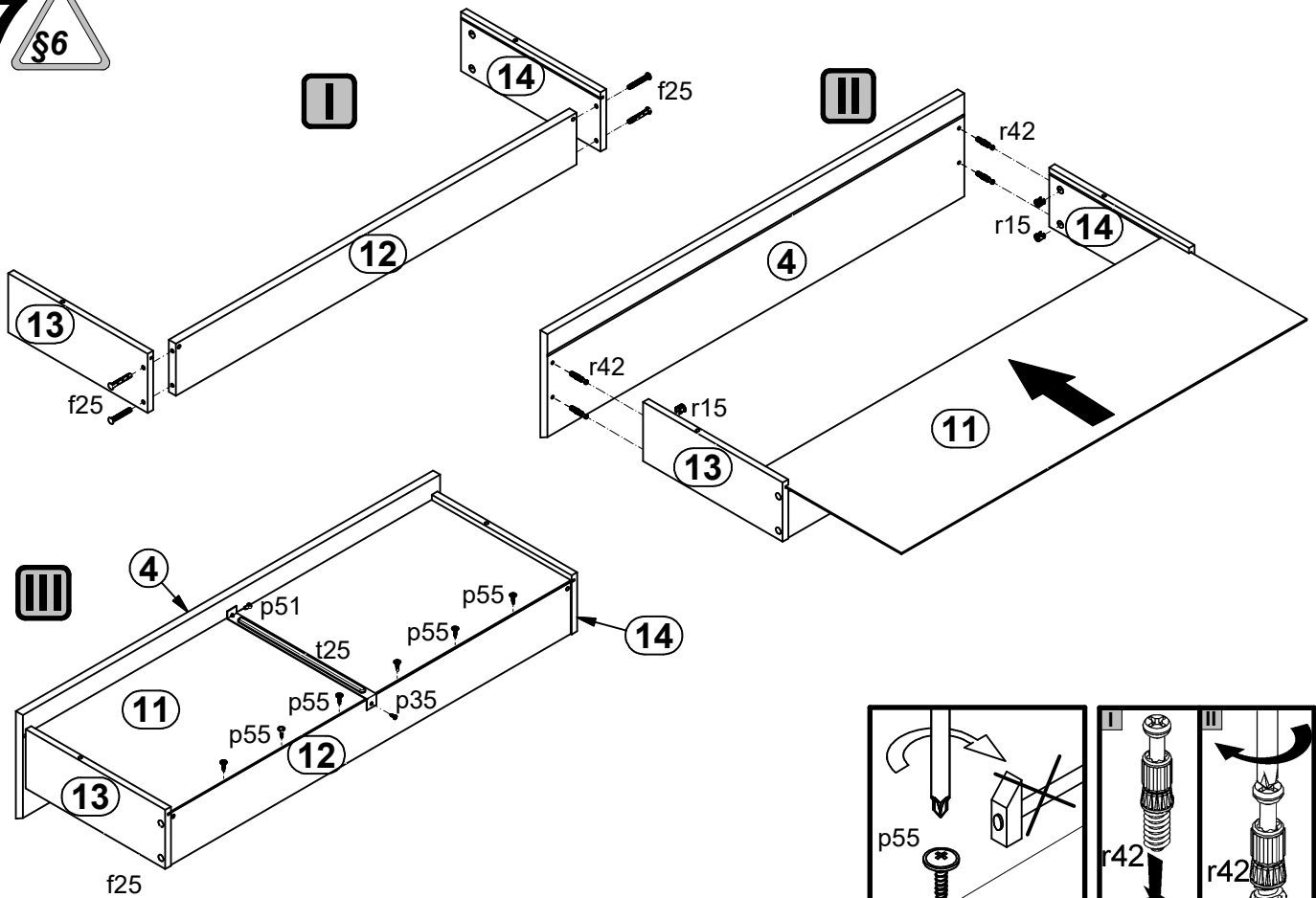
5 §6



6



7



8 §6

