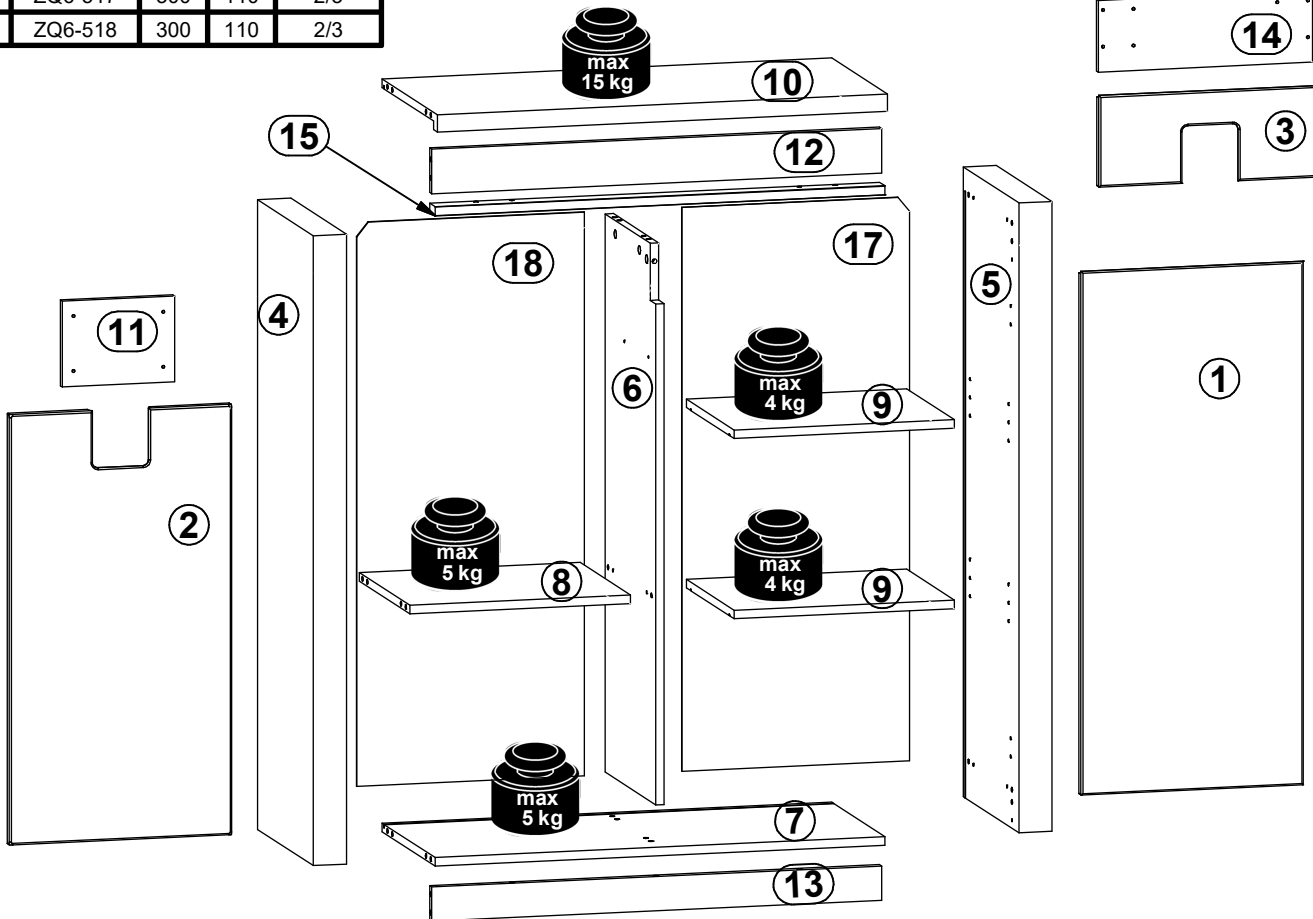
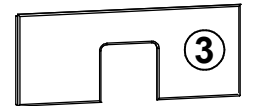
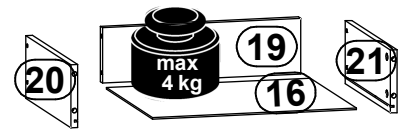
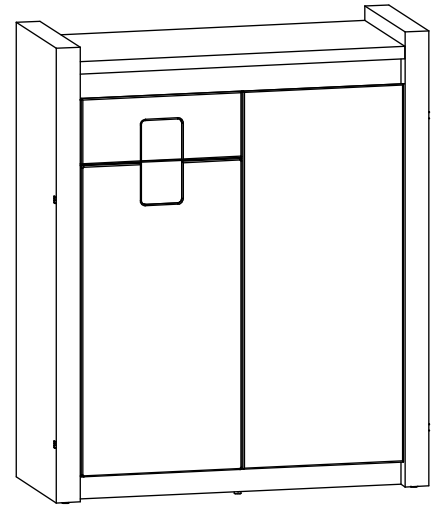
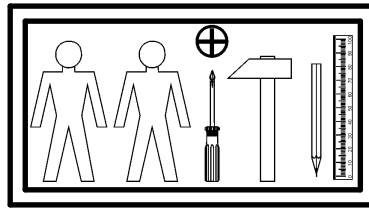
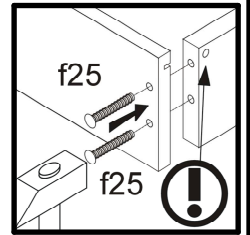
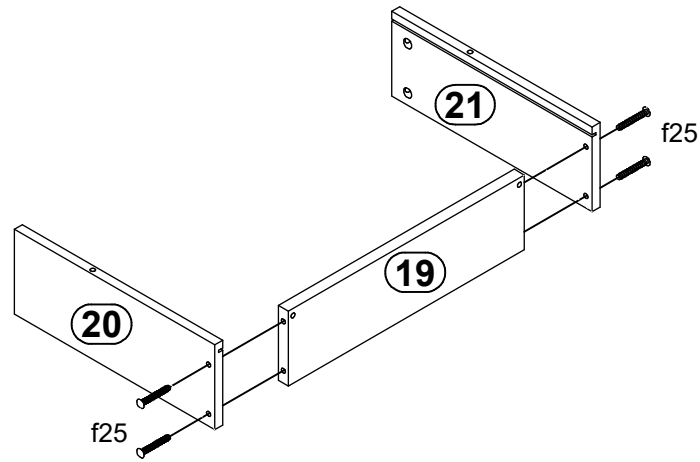


A	B	C	D	
1	S420-0035	915	396	3/3
2	S420-0036	752	396	3/3
3	S420-0037	396	160	3/3
4	S420-1035	1100	370	1/3
5	S420-1036	1100	370	1/3
6	S420-1037	975	337	1/3
7	S420-3042	801	353	2/3
8	S420-3043	393	336	2/3
9	S420-3044	392	317	2/3
10	S420-3045	801	369	2/3
11	S420-4009	200	150	2/3
12	S420-4062	801	78	2/3
13	S420-4063	801	60	2/3
14	S420-4065	381	125	2/3
15	S420-5020	801	37	2/3
16	S420-9023	363	307	2/3
17	S420-9024	985	405	3/3
18	S420-9025	985	405	3/3
19	ZQ6-5158	353	97	2/3
20	ZQ6-517	300	110	2/3
21	ZQ6-518	300	110	2/3

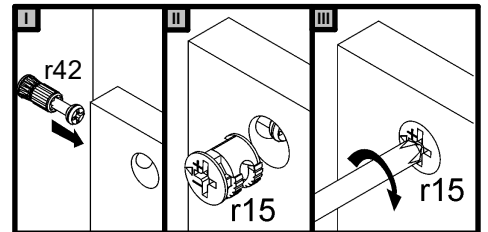
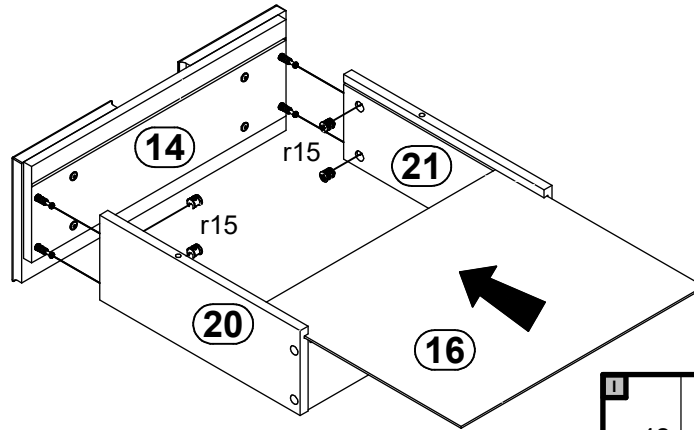


2x a133	4x a160	4x b43	8x Ø5x17 mm d1	4x Ø7x50 mm e1	8x Ø6,3x13 mm e2	4x Ø6x13 mm e3	24x Ø8x30 mm f1	4x Ø6,5x40 mm f25
5x k1	8x l2	5x 22x9,5x20,7 mm n108	1x 10x18 mm o83/L	3x Ø3,5x16 mm p38	8x Ø3,5x15 mm p51	10x Ø2,9x16 mm p55	8x Ø4x25 mm p8	20x Ø15x12 mm #16 r1
4x Ø12x10,5 mm #12 r15	24x 20/11 r42	1x L=300 mm w171/L	1x L=300 mm w171/P	2x 4 mm s1	1x 4 mm z1	1x n26/L	1x Ø3,5x16 mm p38	1x 5x10 mm o102/L25

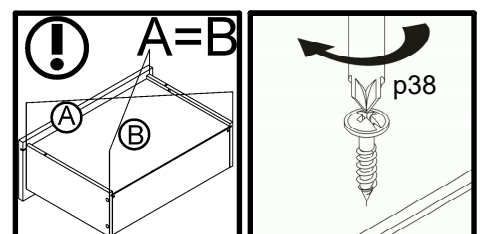
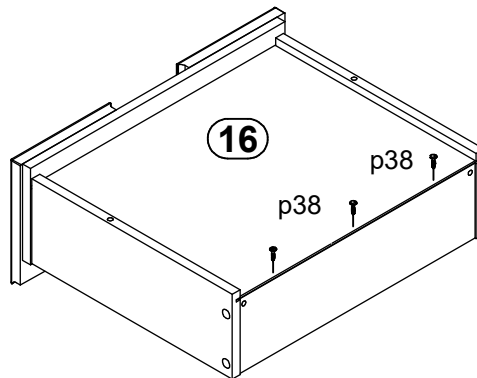
2



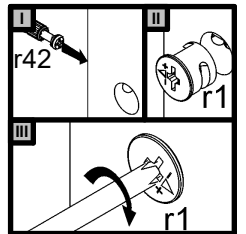
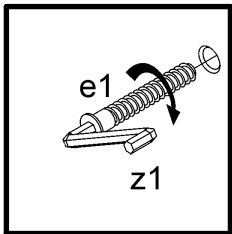
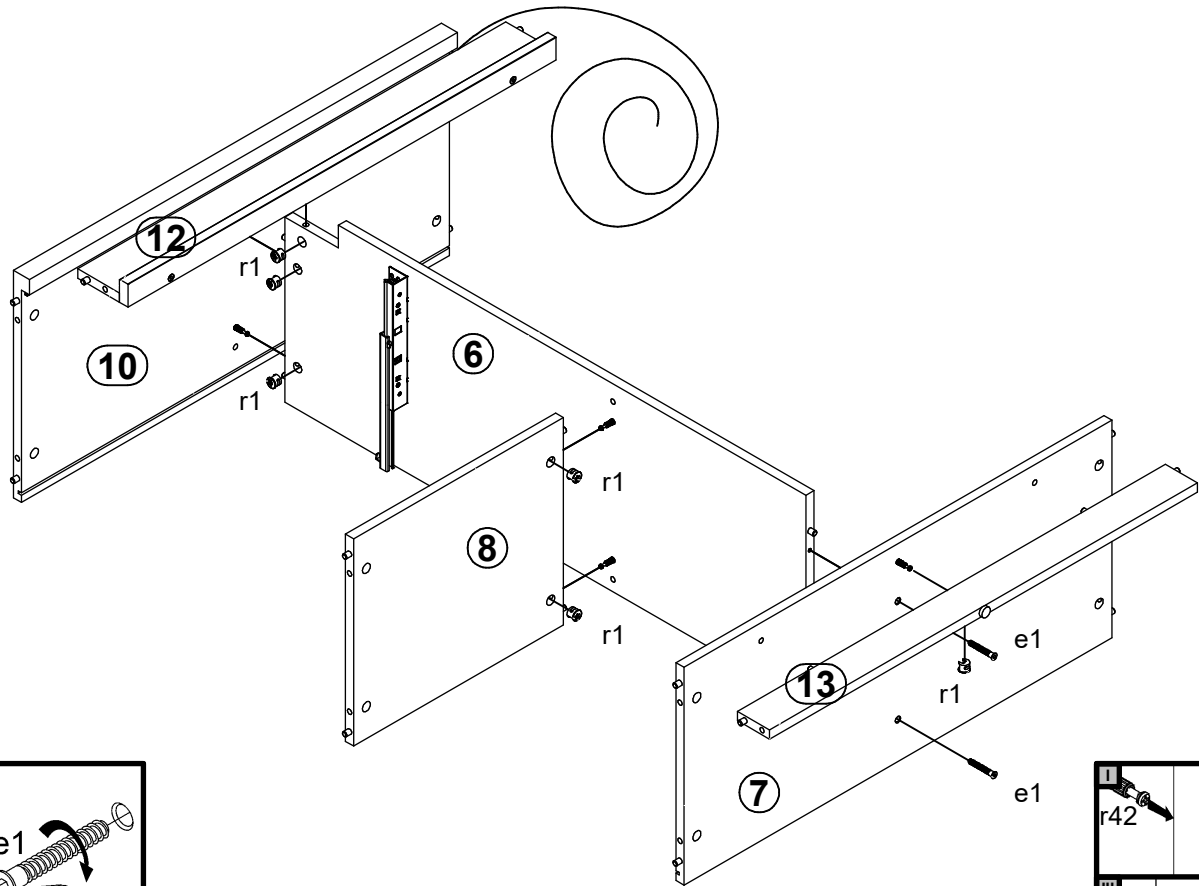
3



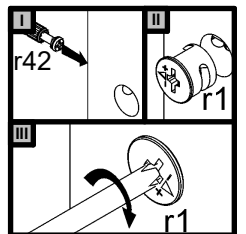
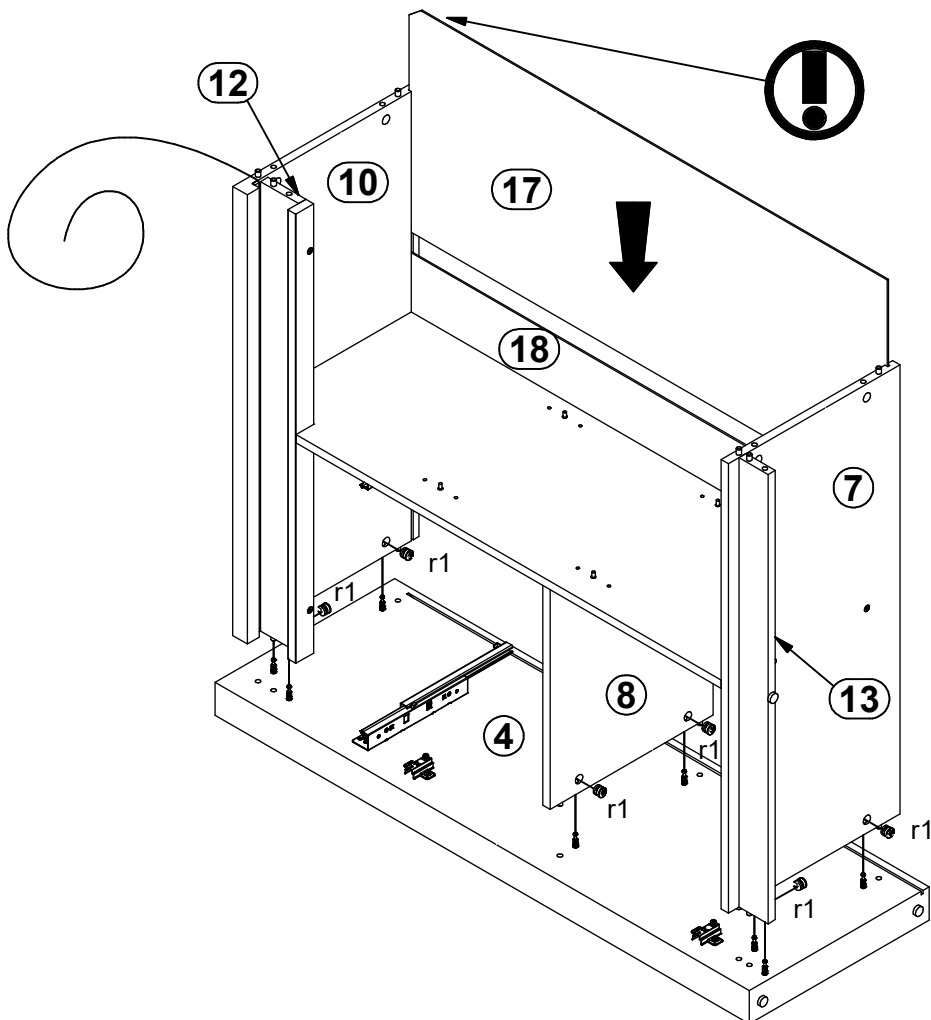
4



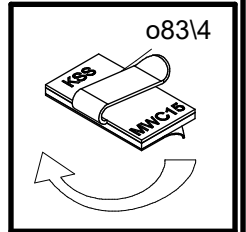
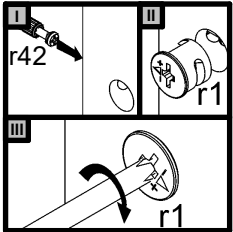
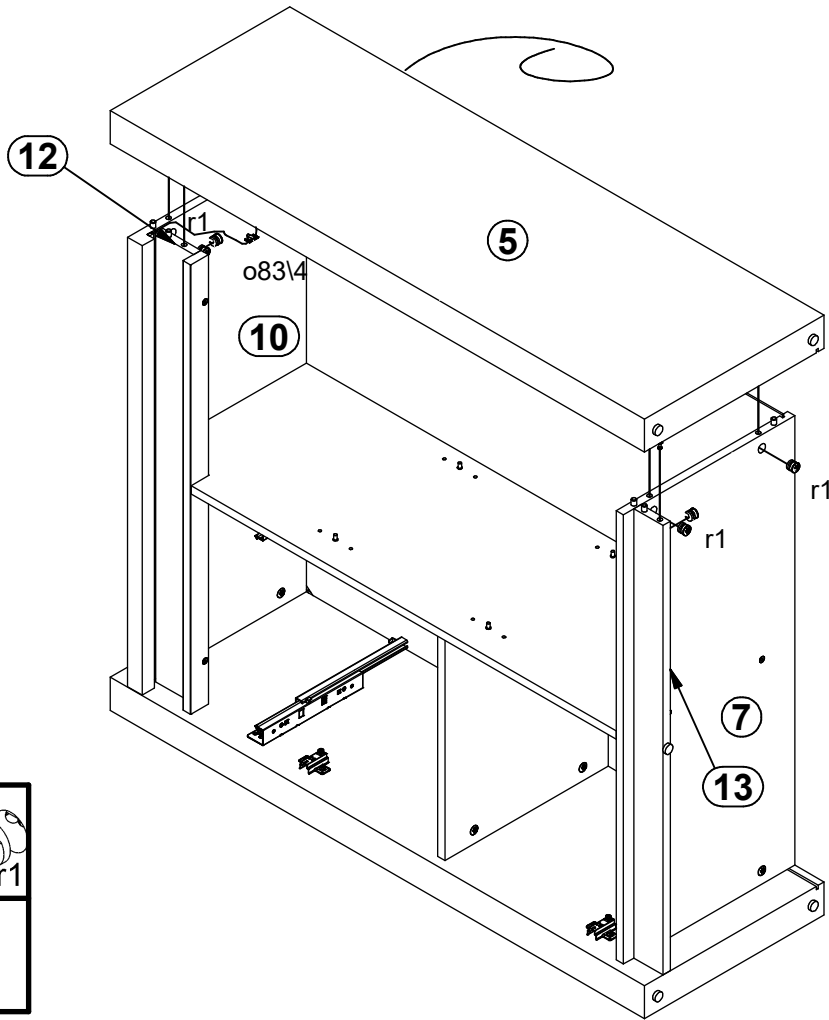
5



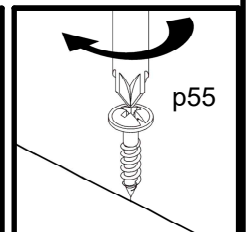
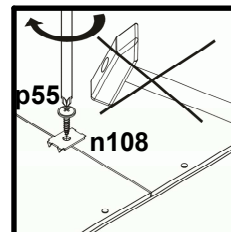
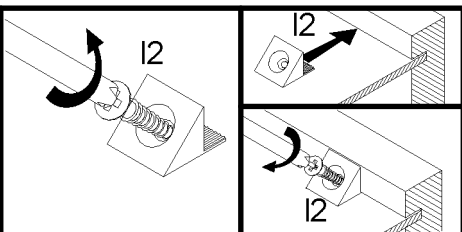
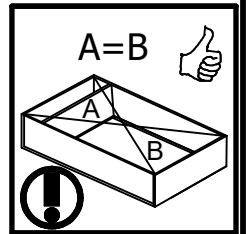
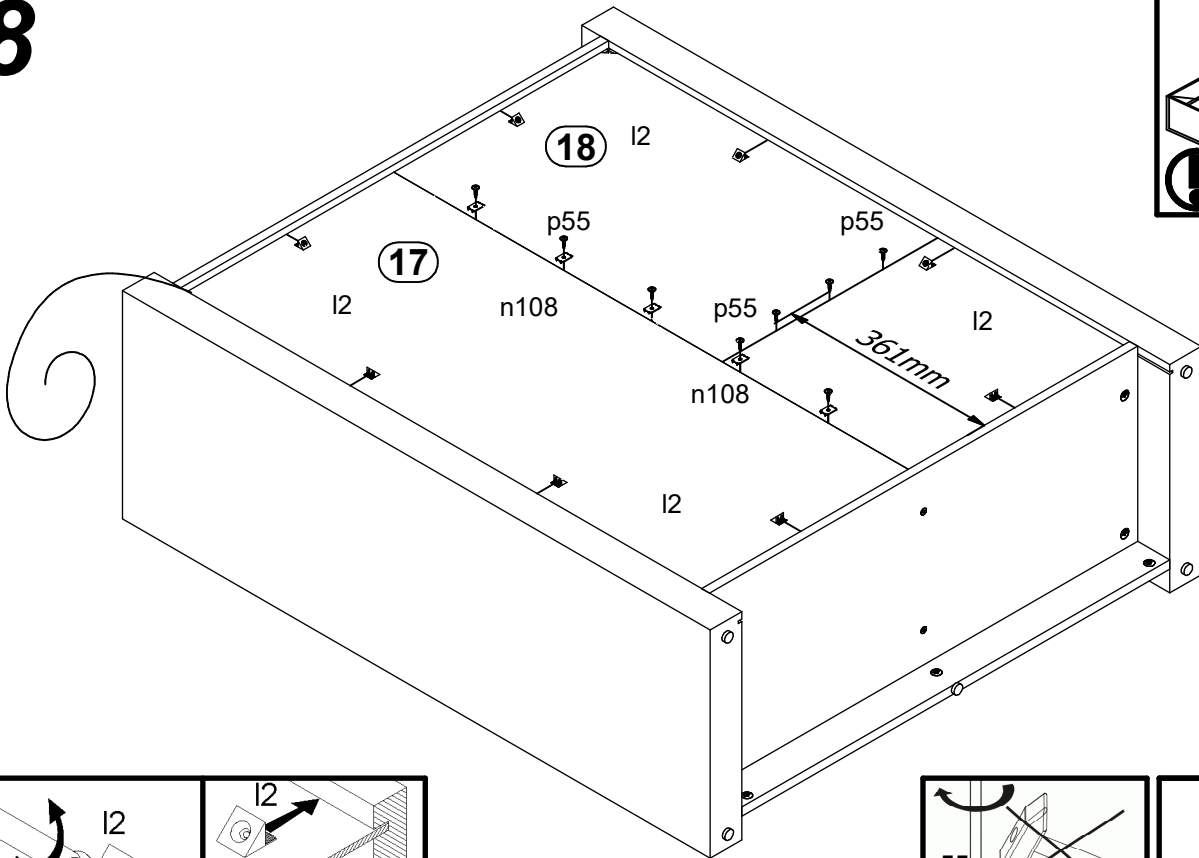
6



7



8



9

