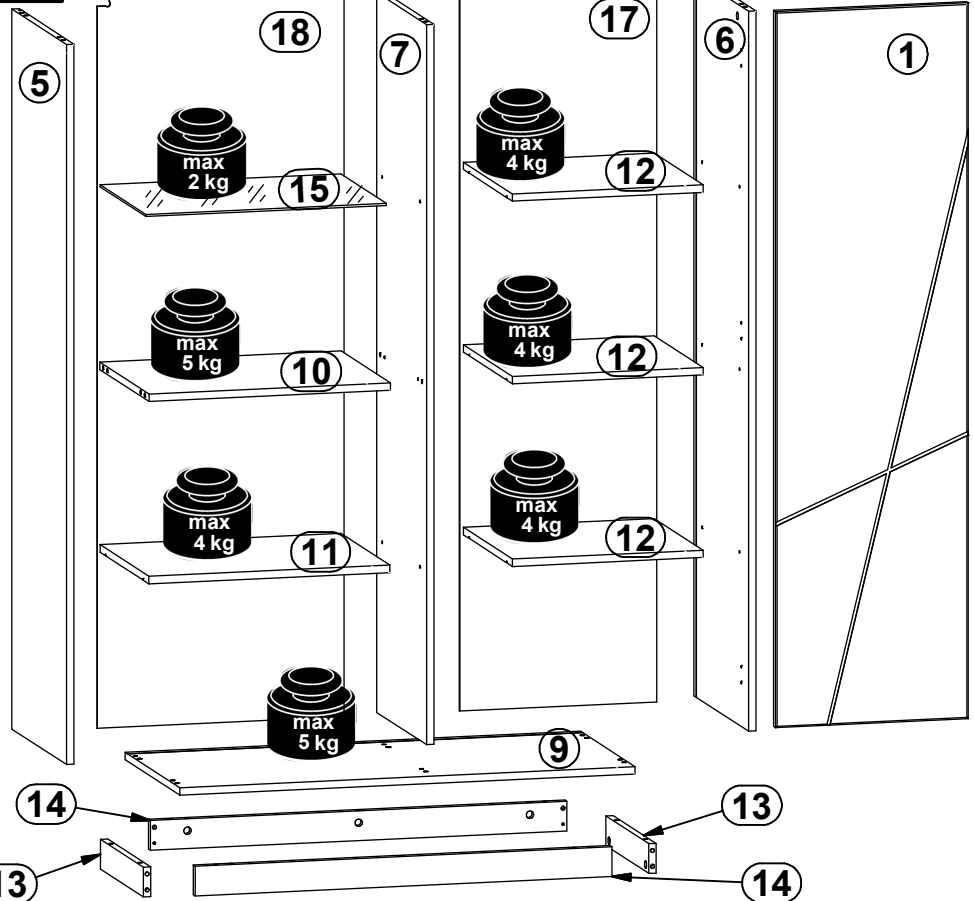
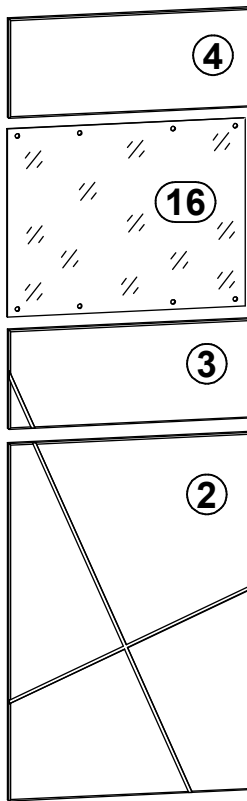
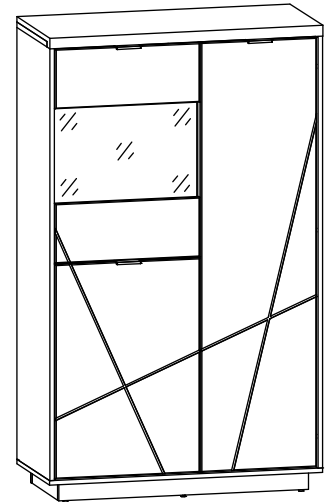
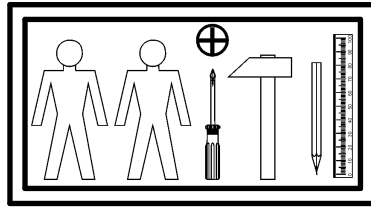
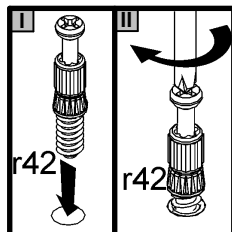
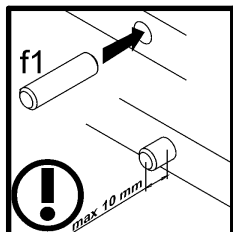
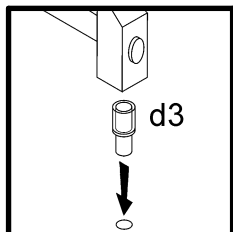
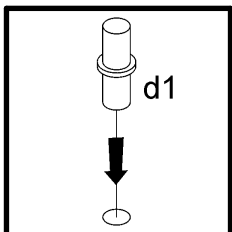
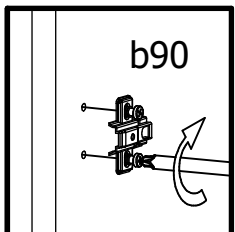
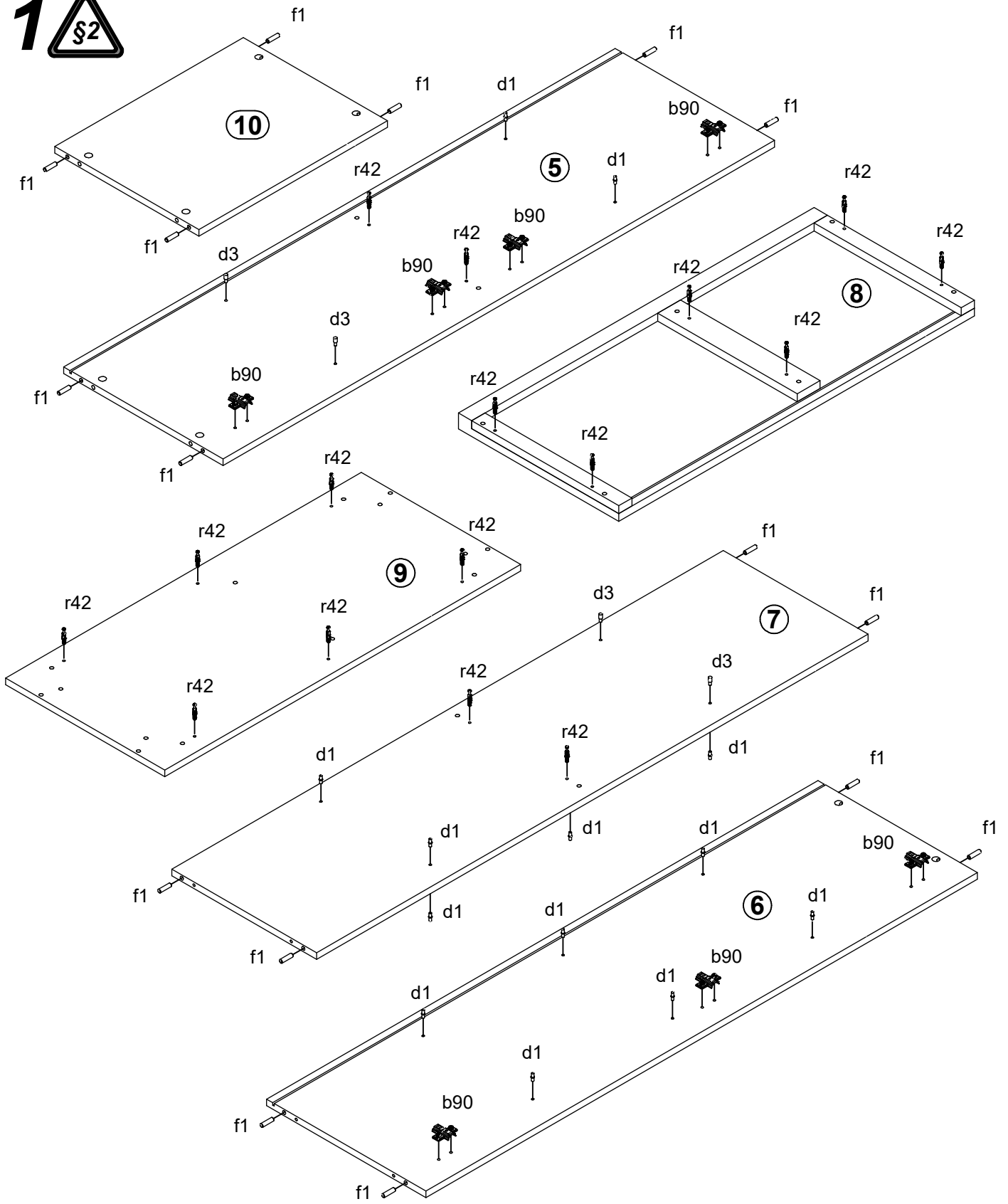


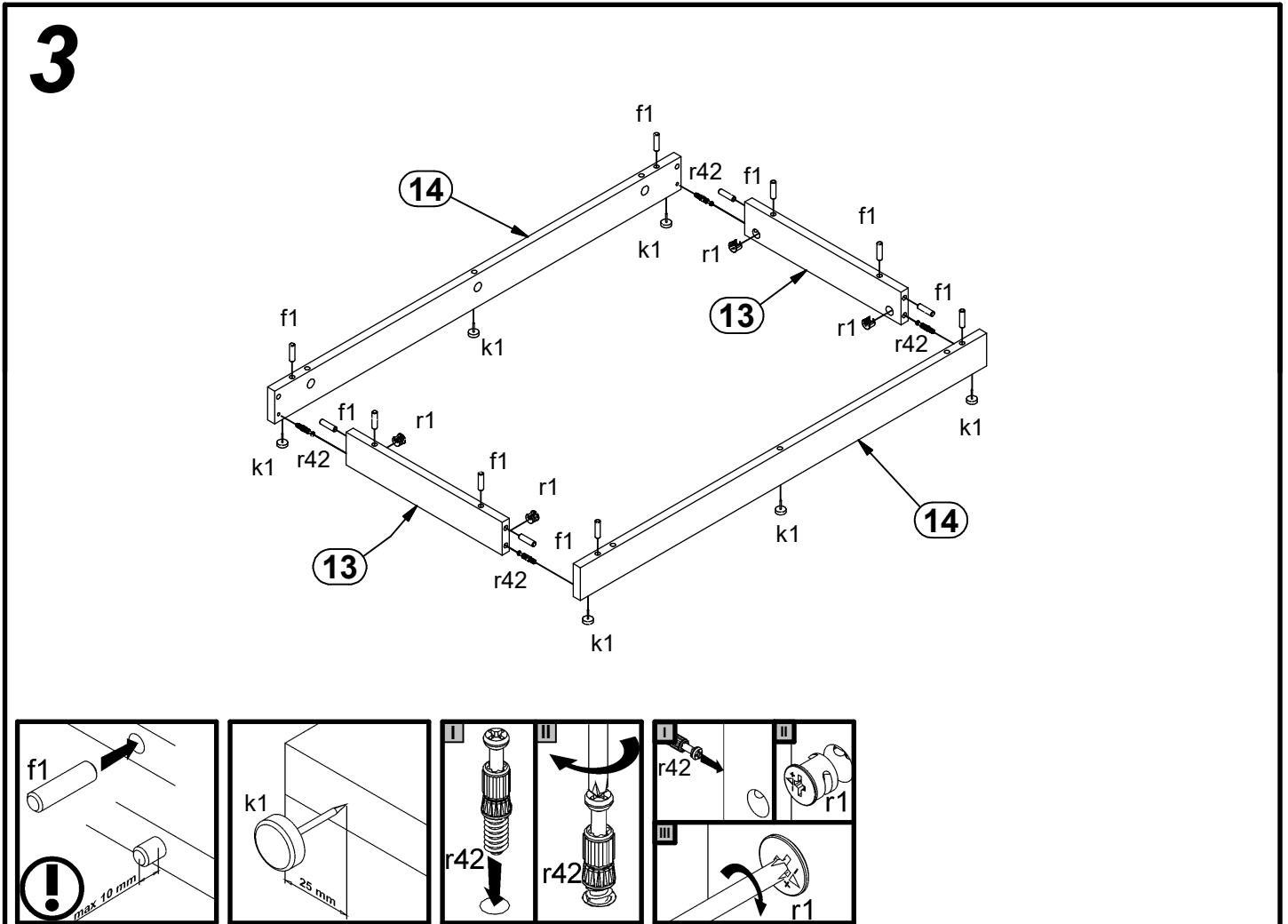
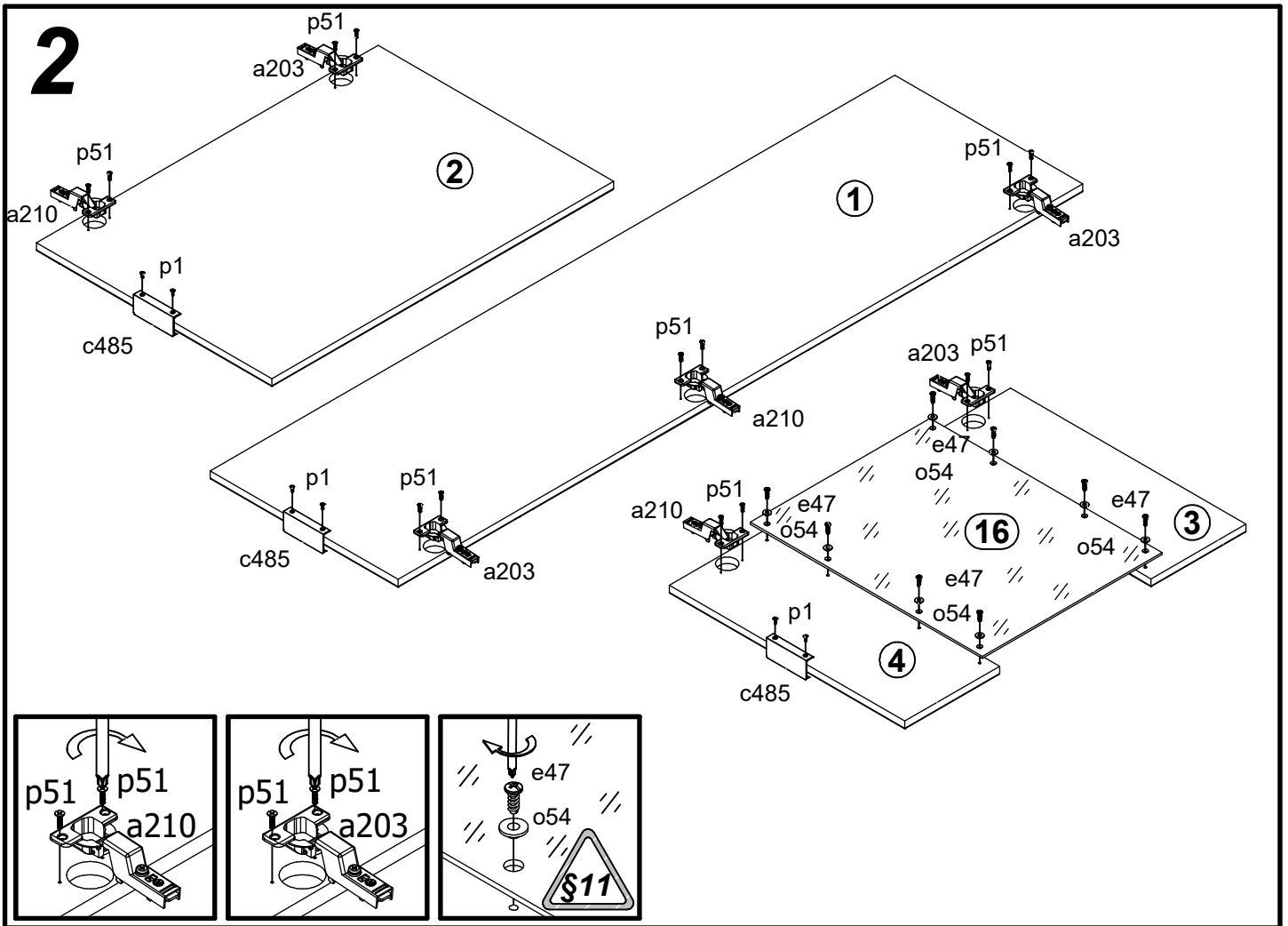
A	B	C	D
1	S471-0005	1443	396 3/3
2	S471-0006	720	496 3/3
3	S471-0007	200	496 3/3
4	S471-0008	200	496 3/3
5	S471-1004	1451	419 1/3
6	S471-1005	1451	419 1/3
7	S471-1006	1451	381 1/3
8	S471-2003	936	422 2/3
A			
9	S471-2004	936	419 2/3
10	S471-3002	496	379 2/3
11	S471-3003	495	375 2/3
12	S471-3004	392	375 2/3
13	S471-4002	329	60 3/3
14	S471-4003	856	60 3/3
15	S471-5501	494	350 1/3
16	S471-5502	489	379 1/3
17	S471-9003	1479	405 3/3
A			
18	S471-9005	1479	507 3/3



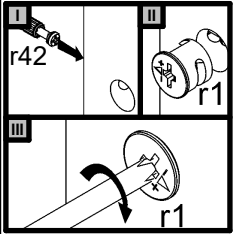
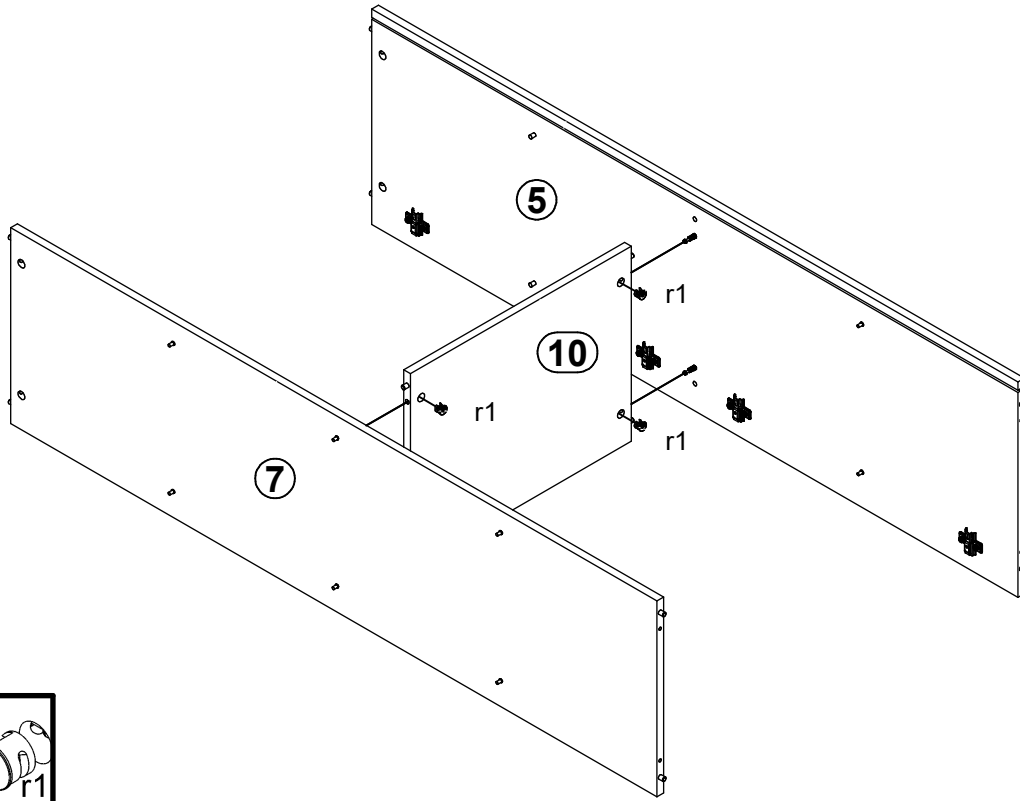
4x a203	3x a210	7x b90	3x c485 84 mm	16x d1 Ø5x17 mm	4x d3 Ø5x17 mm	6x e1 Ø7x50 mm	8x e47 Ø5x16 mm	28x f1 Ø8x30 mm		
6x k1	12x l2	7x n108 22x9.5x20.7 mm	8x o54 Ø5.3xØ8.3x4.8 mm	6x p1 Ø3.5x13 mm	14x p51 Ø3.5x15 mm	10x p55 Ø2.9x16 mm	20x r1 Ø15x12 mm #16	20x r42 20/11		
6x s68 Ø 20mm	1x z1 4 mm	1x n26\1	1x p38 Ø3.5x16 mm							

1 

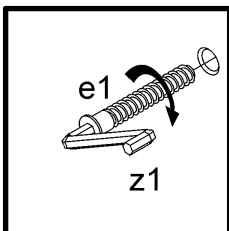
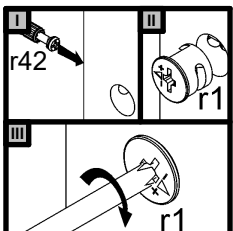
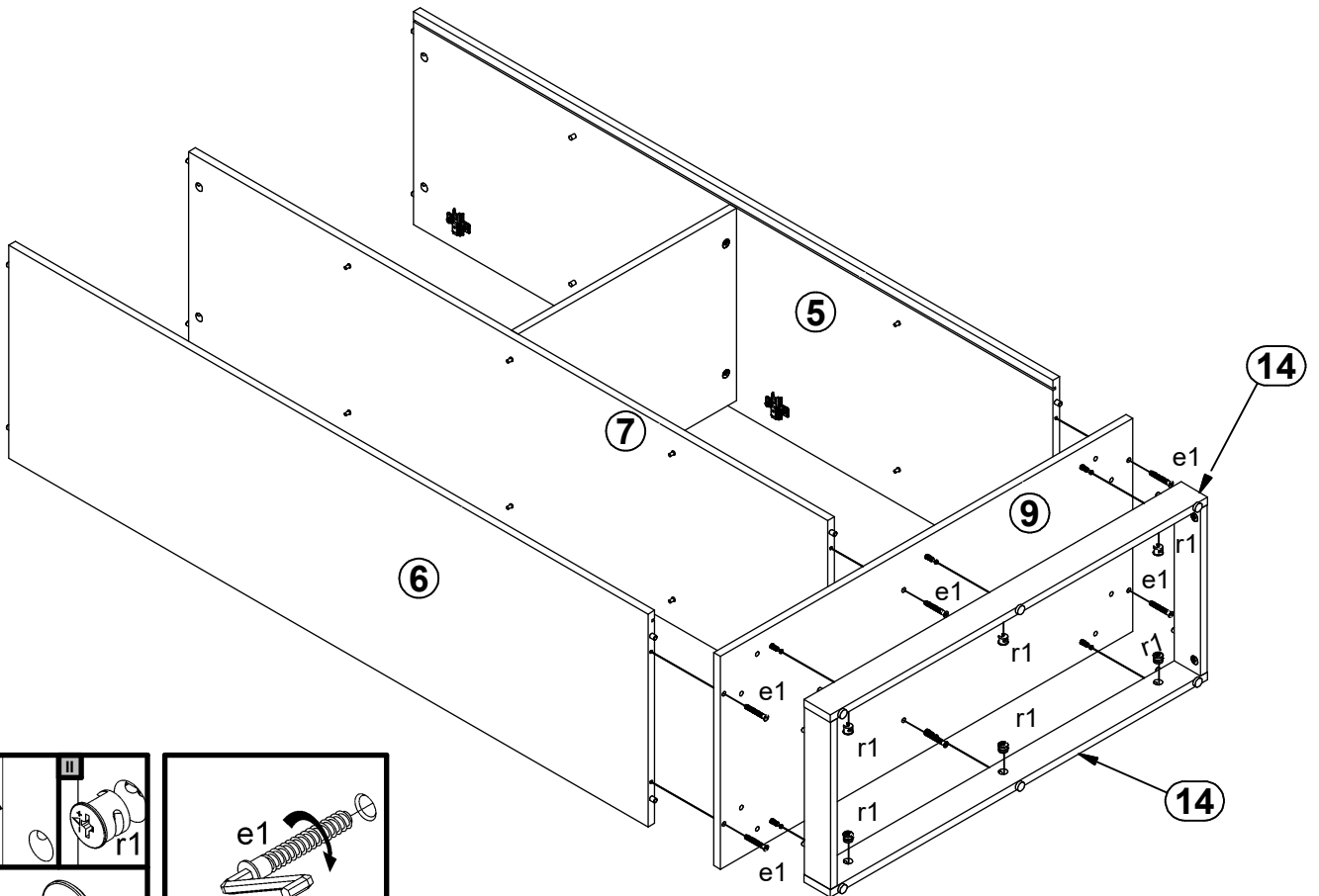




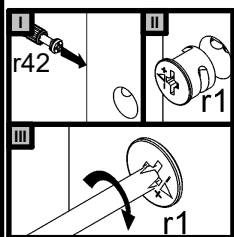
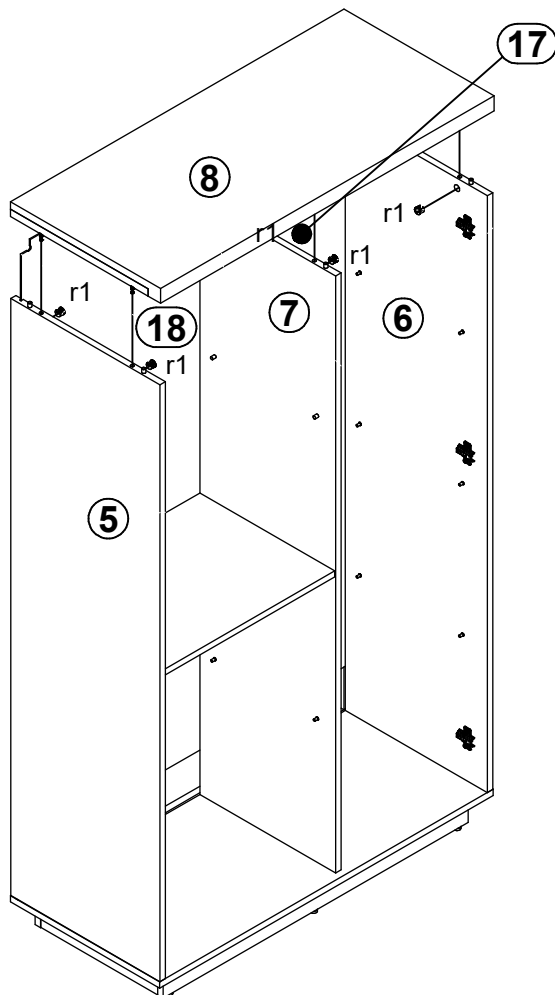
4



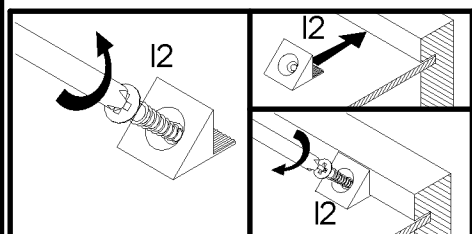
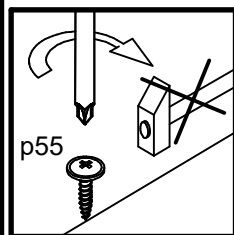
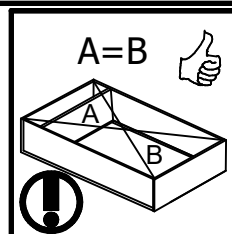
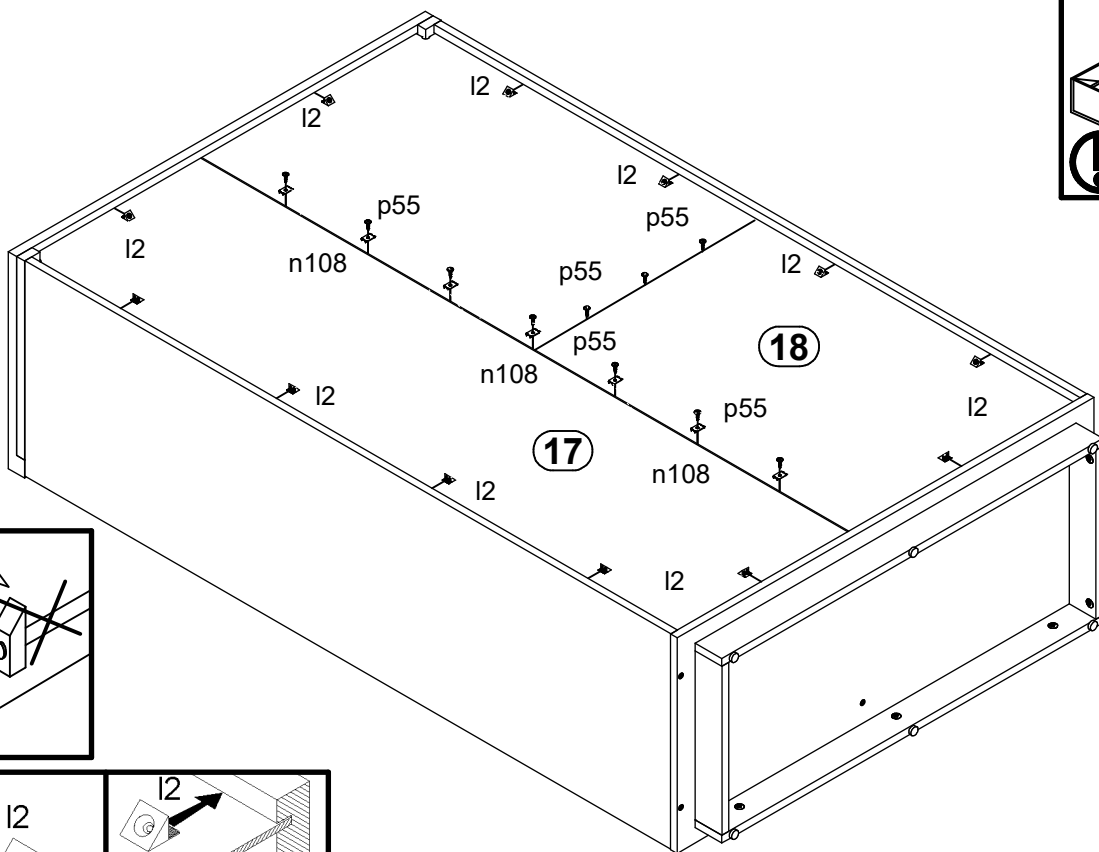
5



6



7



8

