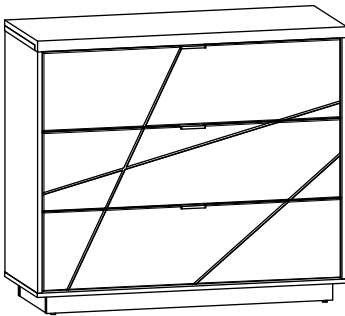
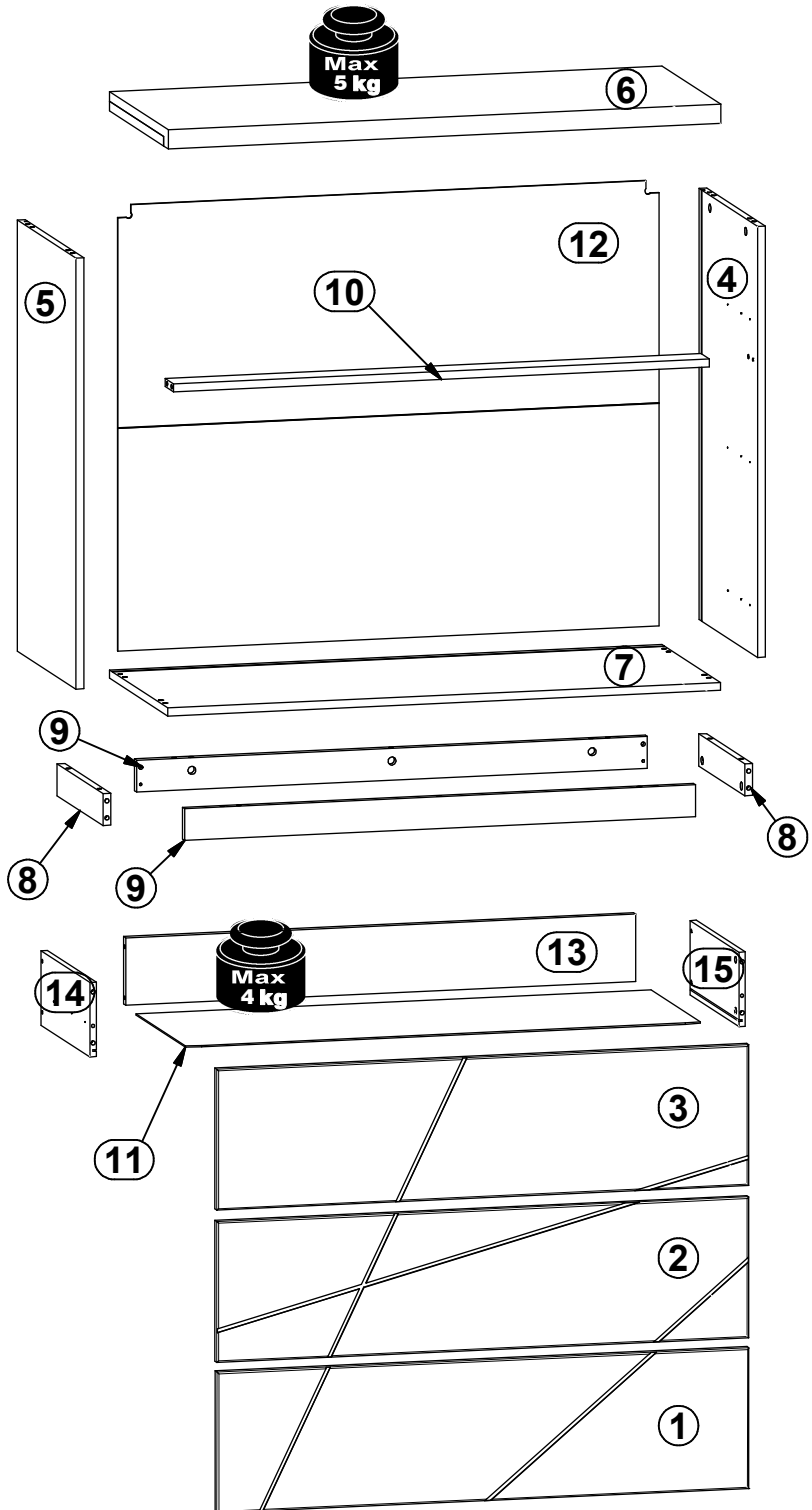
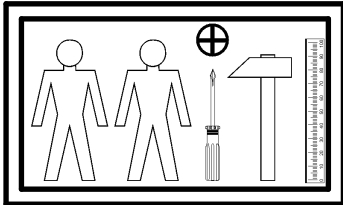
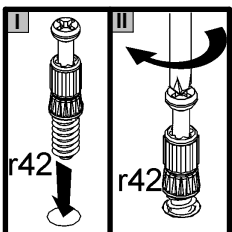
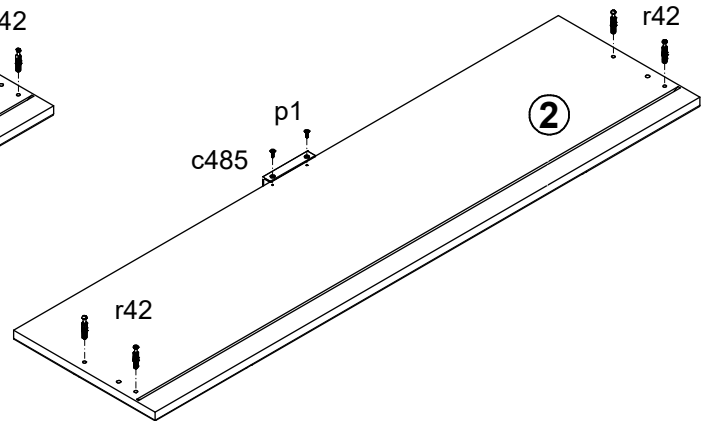
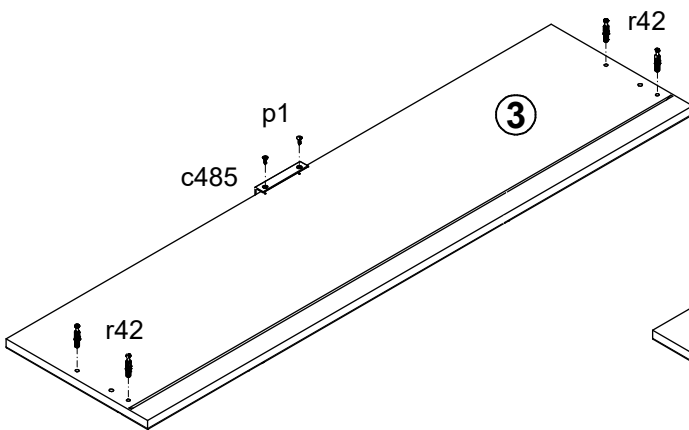
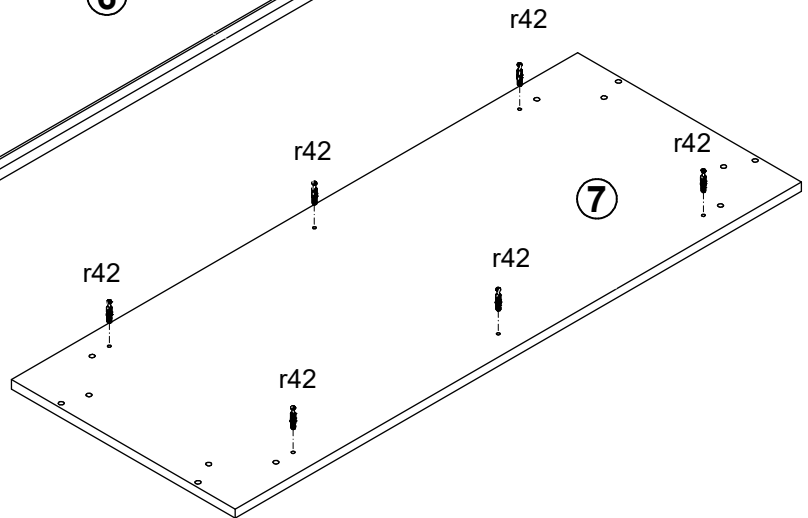
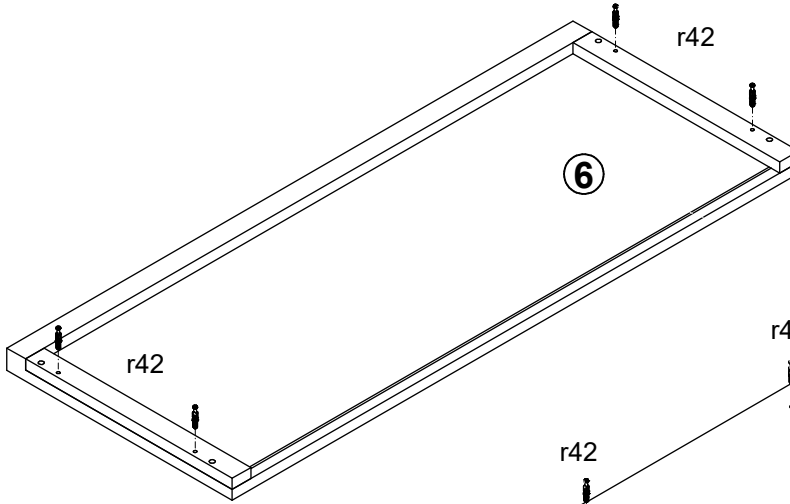
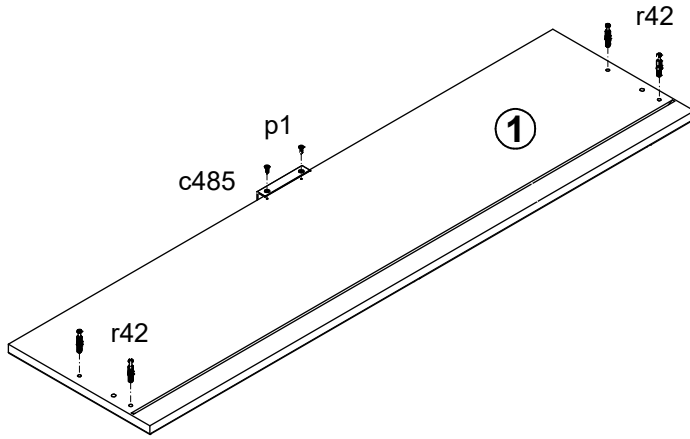


A	B	C	D
1	S471-0019	1020	265 2/2
2	S471-0020	1020	265 2/2
3	S471-0021	1020	265 2/2
4	S471-1002	811	419 1/2
5	S471-1017	811	419 1/2
6	S471-2013	1060	422 1/2
7	S471-2014	1060	419 1/2
8	S471-4002	329	60 1/2
9	S471-4008	980	60 1/2
10	S471-4009	1028	60 1/2
11	S471-9009	988	357 1/2
12	S471-9305	1038	839 1/2
13	ZK3-5156	978	127 1/2
14	ZK4-513	350	140 1/2
15	ZK4-514	350	140 1/2

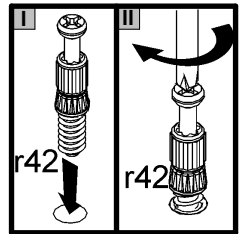
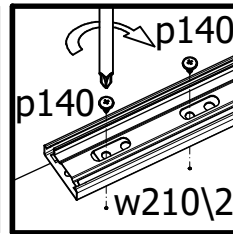
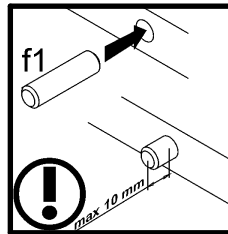
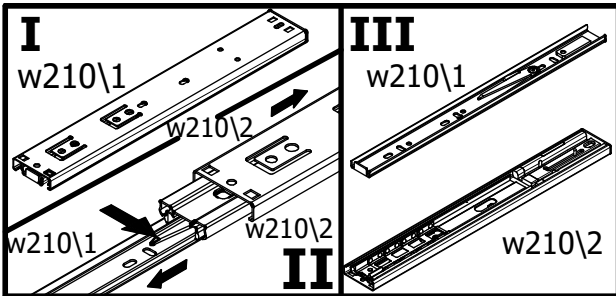
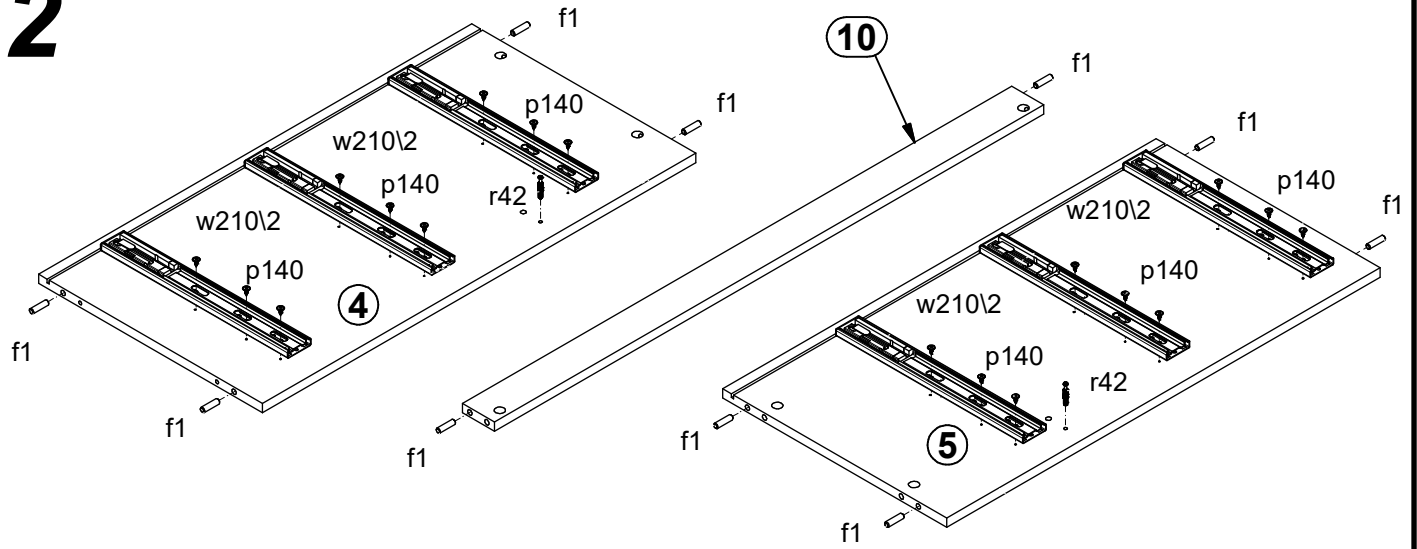


4x Ø7x50 mm e1	22x Ø8x30 mm f1	12x Ø6.5x40 mm f25	6x Ø6x30 mm f9	6x k1	8x l2	6x Ø3.5x13 mm p1	36x Ø3.5x12 mm p140	6x Ø3.5x15 mm p51
6x Ø3.5x10 mm p35	18x Ø2.9x16 mm p55	16x Ø15x12 mm #16 r1	12x Ø12x10.5 mm #12 r15	28x 20/11 r42	6x 350 mm t35	6x L-350 mm w210\1	6x L-350 mm w210\2	1x 4 mm z1
1x n26\1	1x Ø3.5x16 mm p38	3x 84 mm c485						

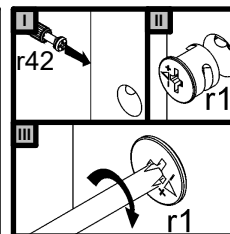
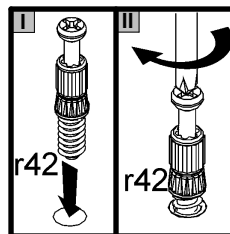
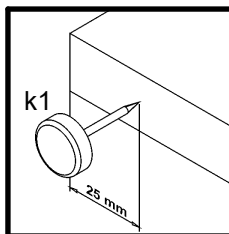
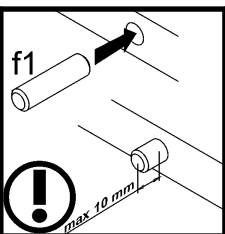
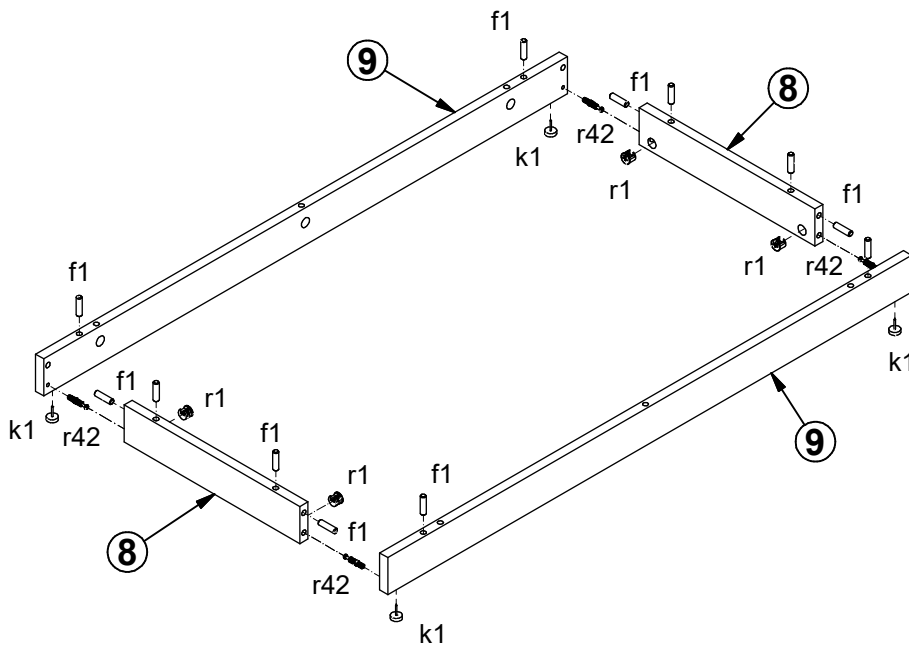
1 §2



2

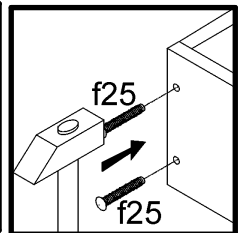
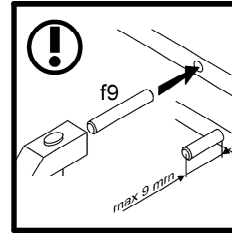
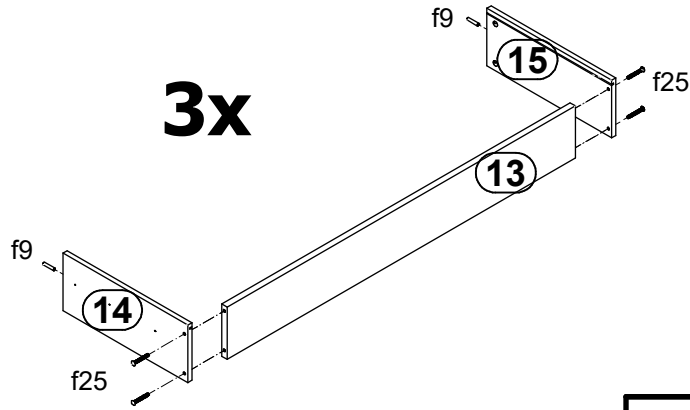


3

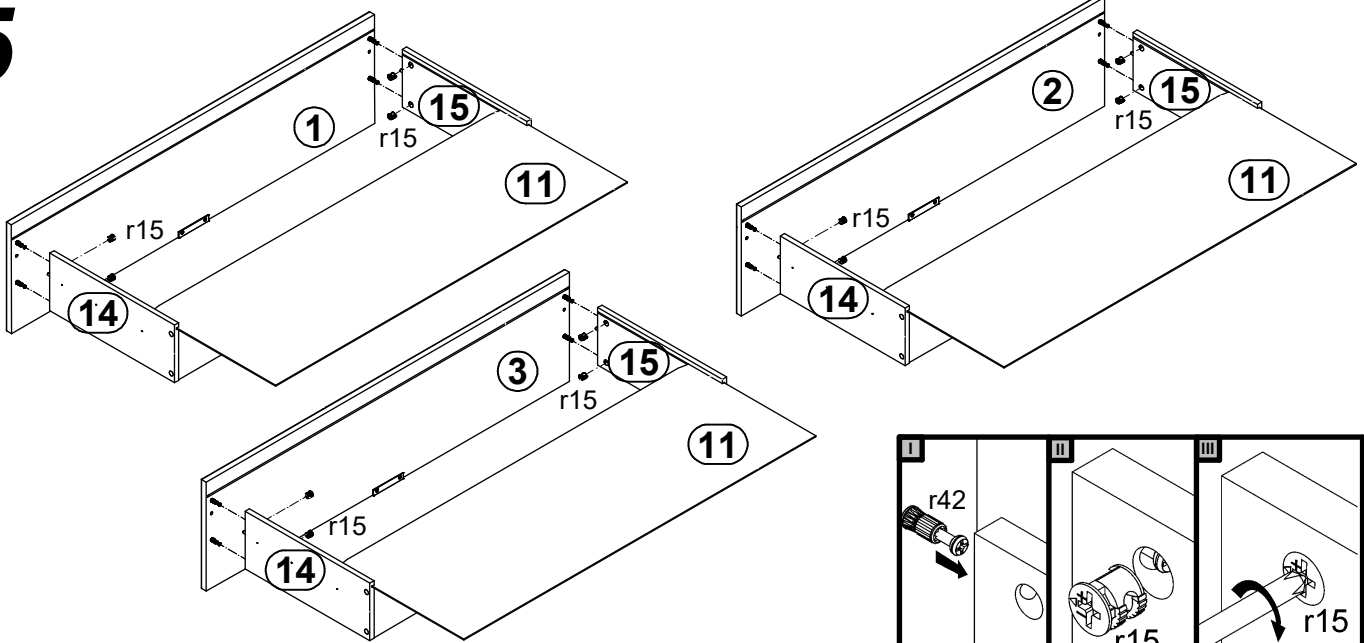


4

3x

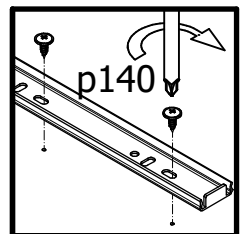
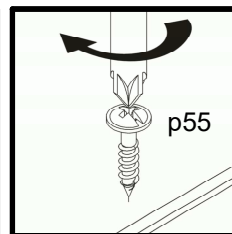
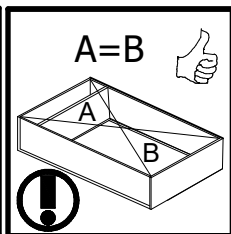
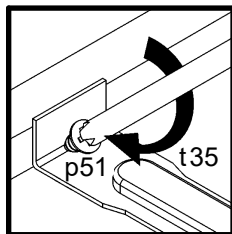
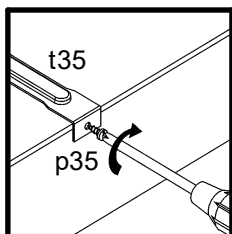
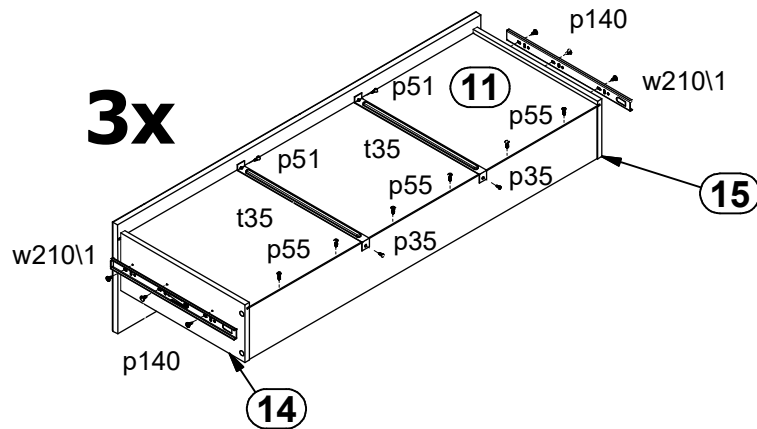


5

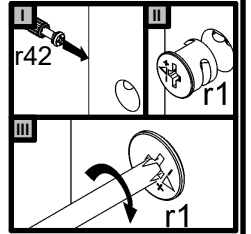
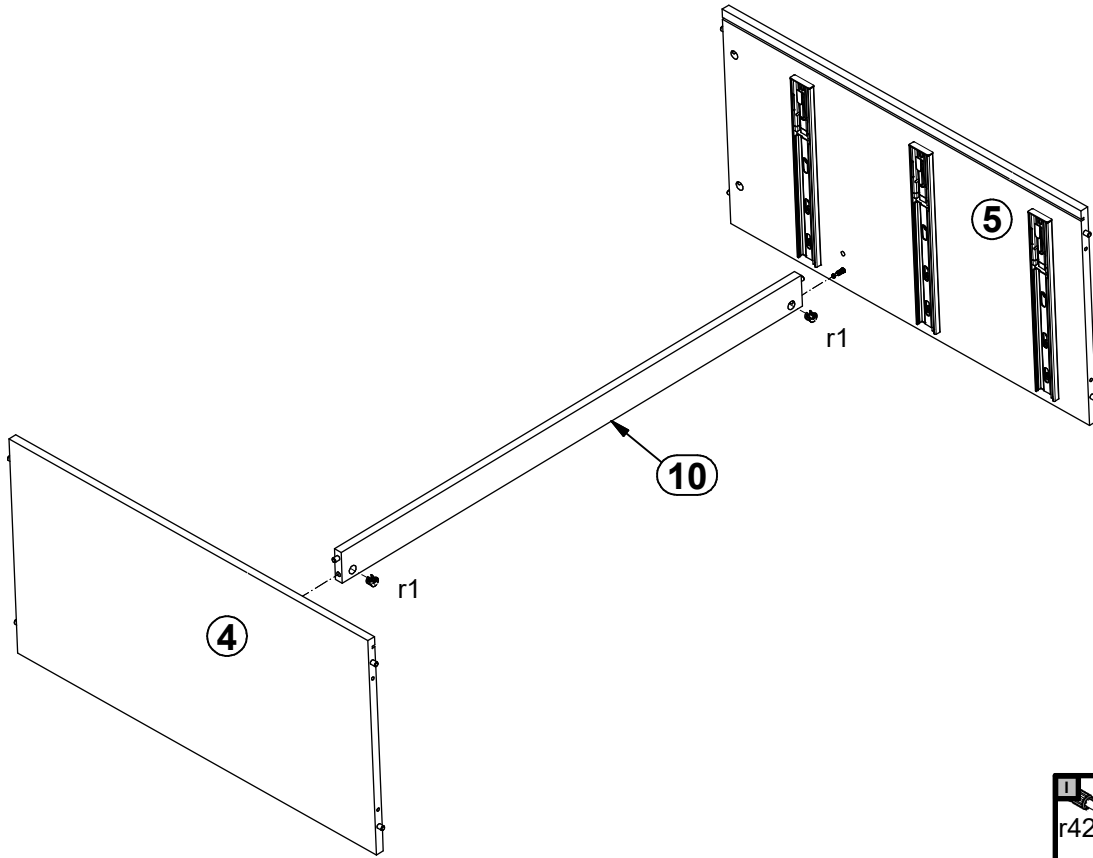


6

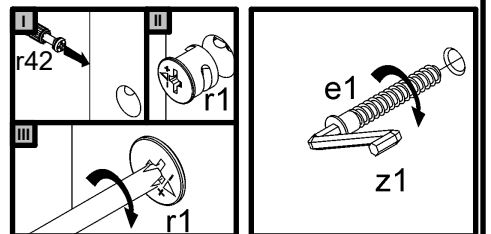
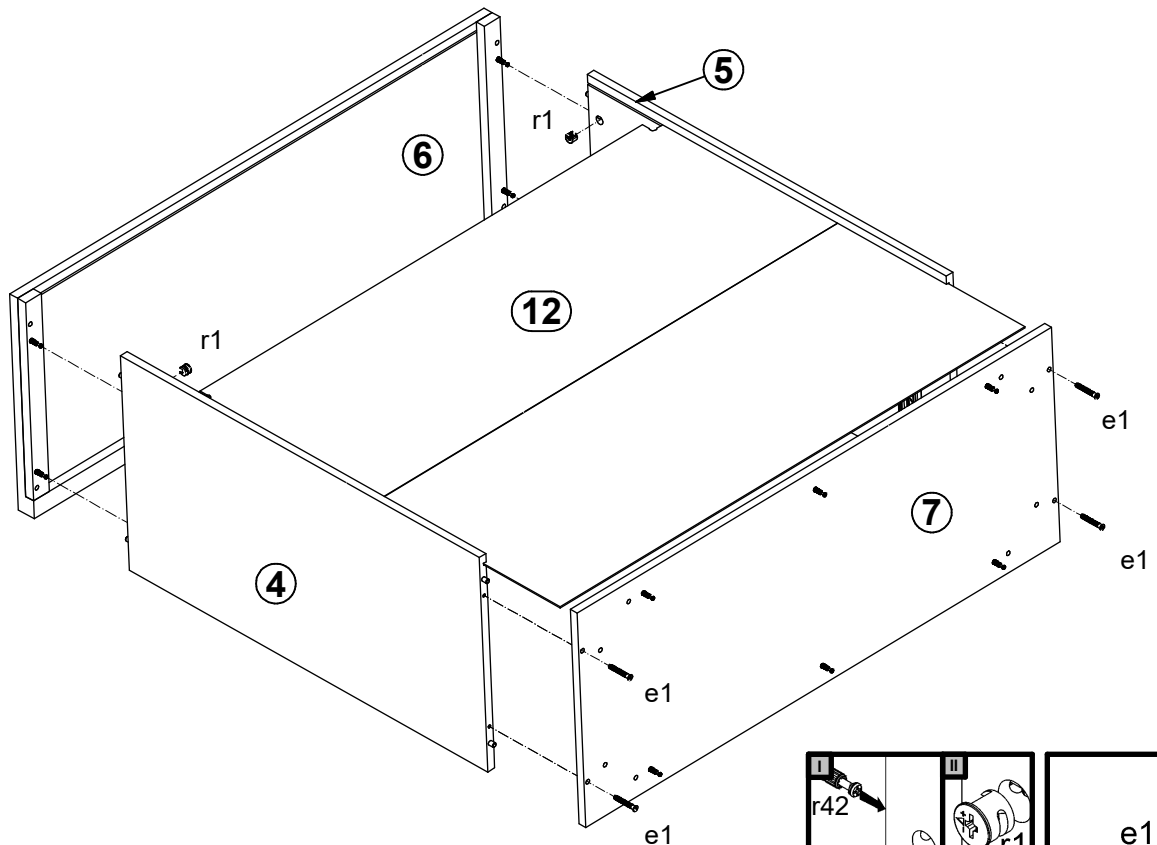
3x



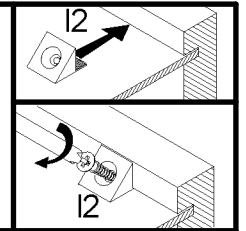
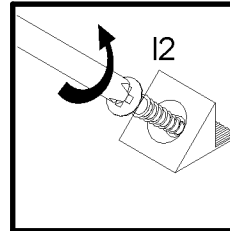
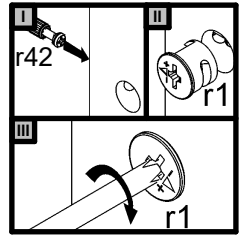
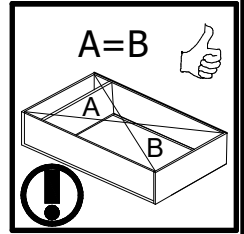
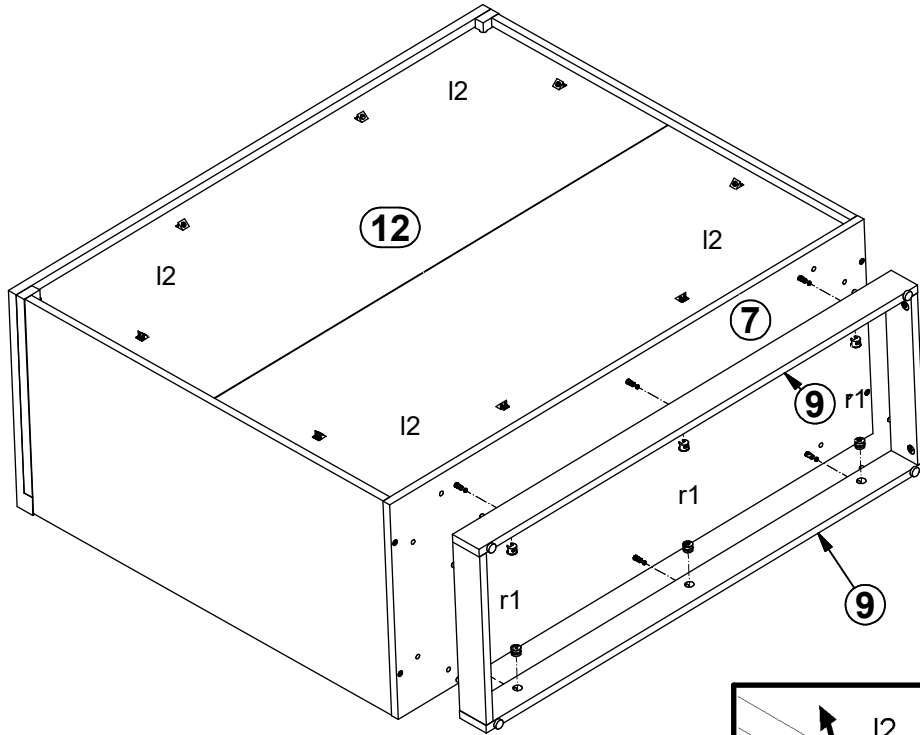
7



8



9



10

