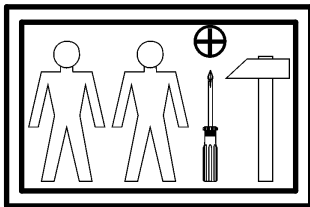
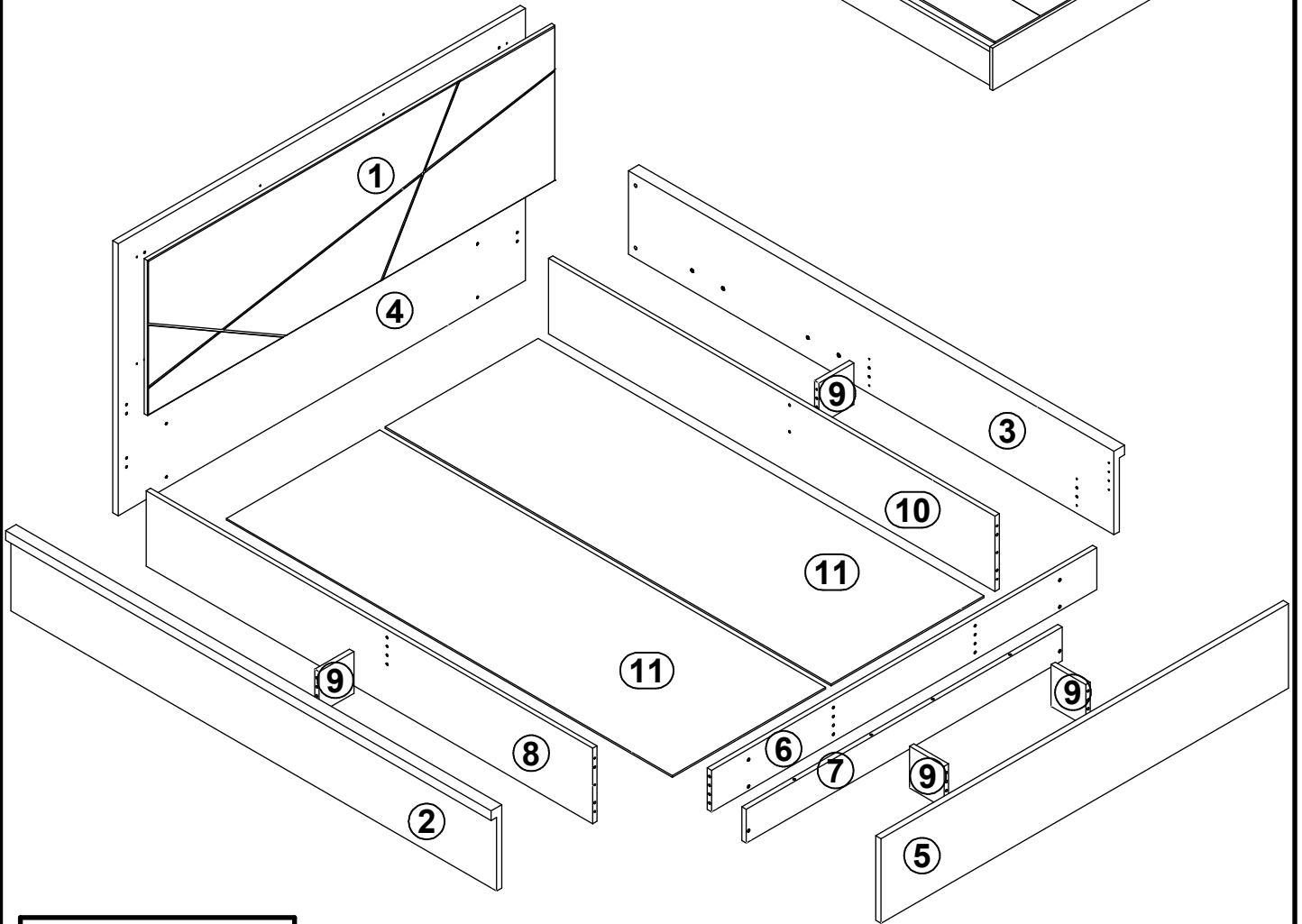
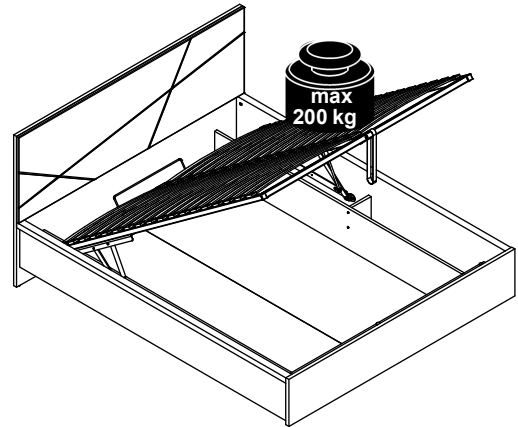
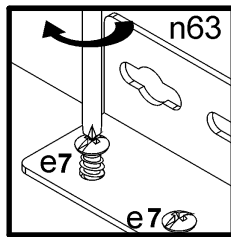
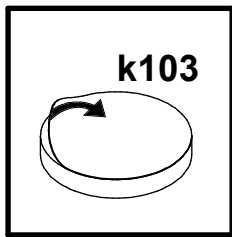
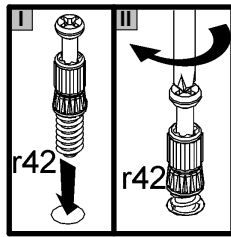
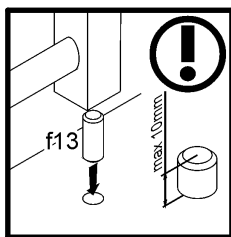
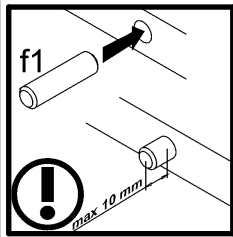
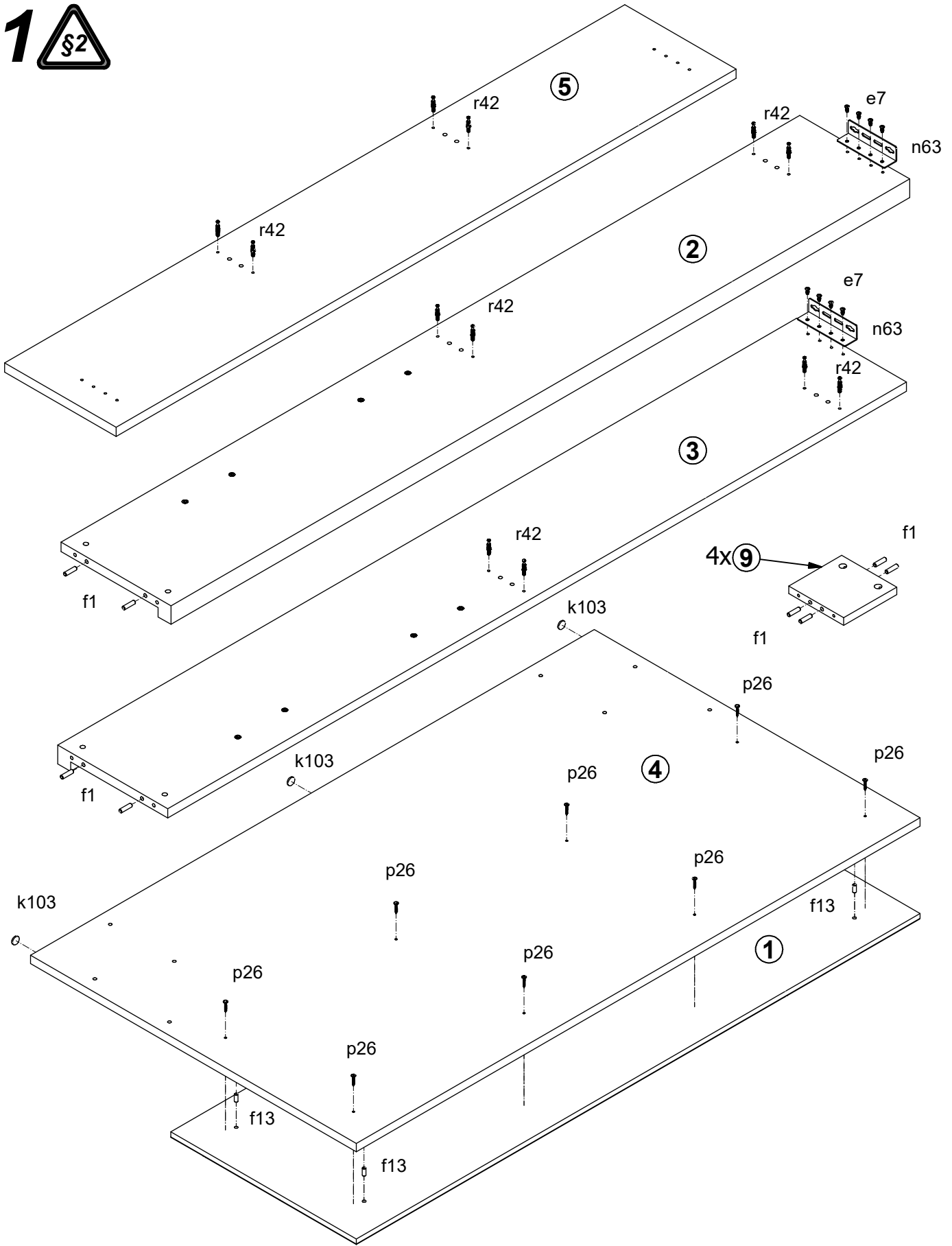


A	B	C	D
1	S471-0022	1692	557 2/4
2	S471-4010	2016	300 3/4
3	S471-4011	2016	300 3/4
4	S471-4012	1692	978 1/4
5	S471-4013	1692	304 2/4
6	S471-4014	1600	150 2/4
7	S471-4015	1311	121 2/4
8	S471-4016	1853	271 3/4
9	S471-4017	145	150 3/4
10	S471-4022	1853	271 3/4
11	S471-9100	1851	636 4/4

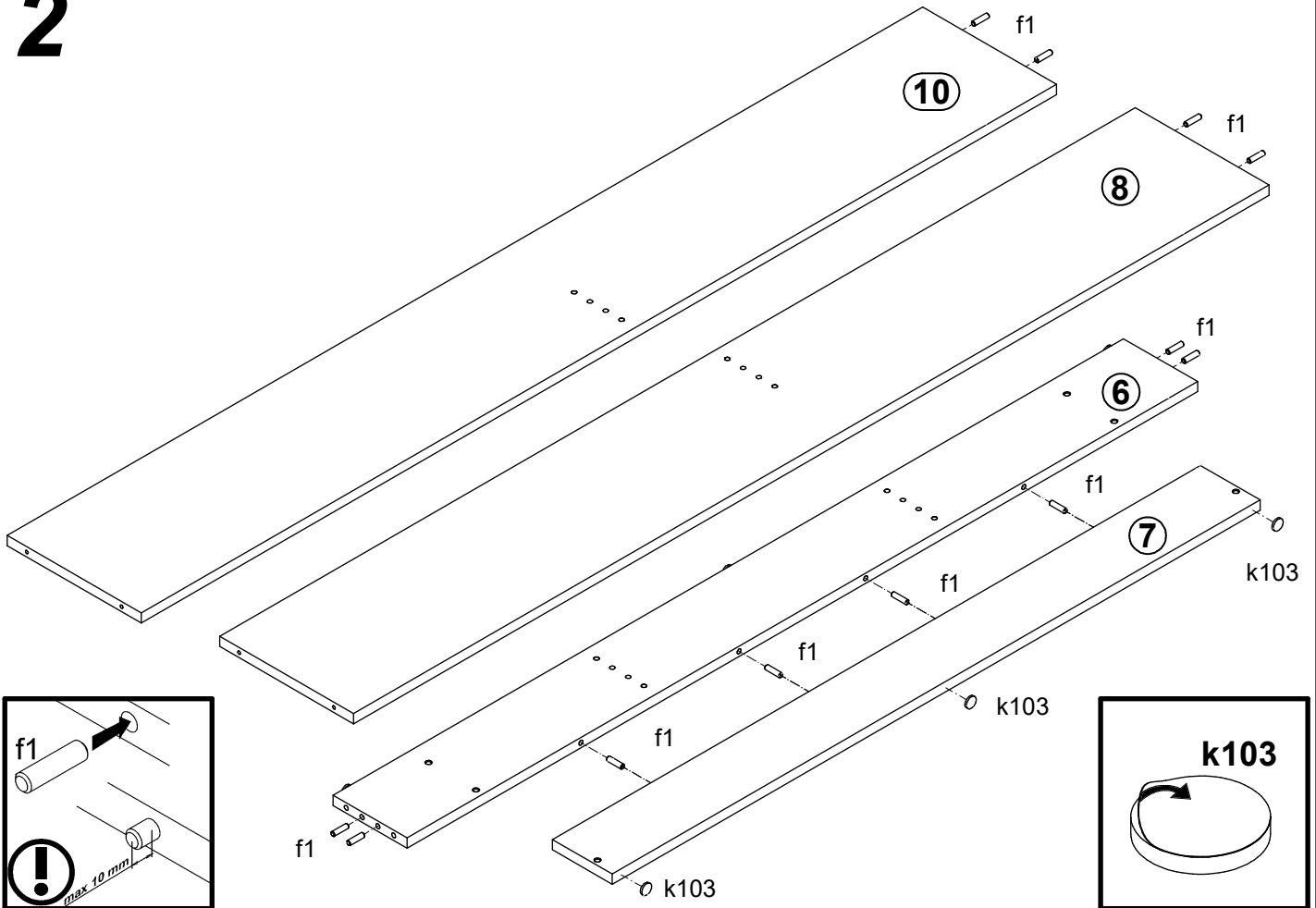


18x Ø7x50 mm e1	16x Ø6.3x16 mm e7	32x Ø8x30 mm f1	4x Ø8x20 mm f13	8x M6x20 mm j167	4x M6x65 mm j132	9x Ø20x3mm k103	2x 130x34x34/2 mm n63	8x Ø4x35 mm p26
12x Ø15x12 mm #16 r1	12x 20/11 r42	4x Ø10x16 mm r43	2x Ø14x0.5 mm s59	1x 4 mm z1				

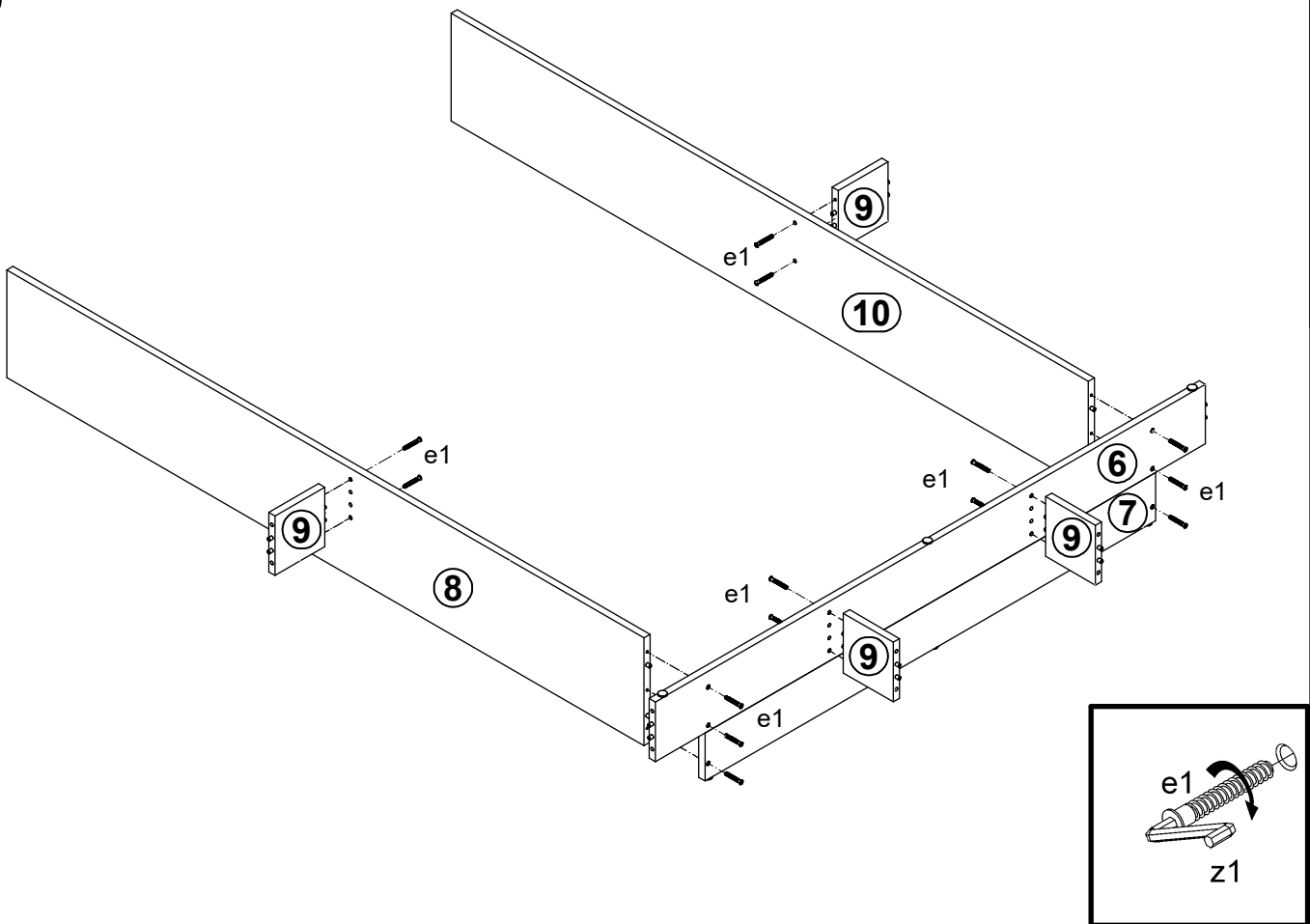
1 



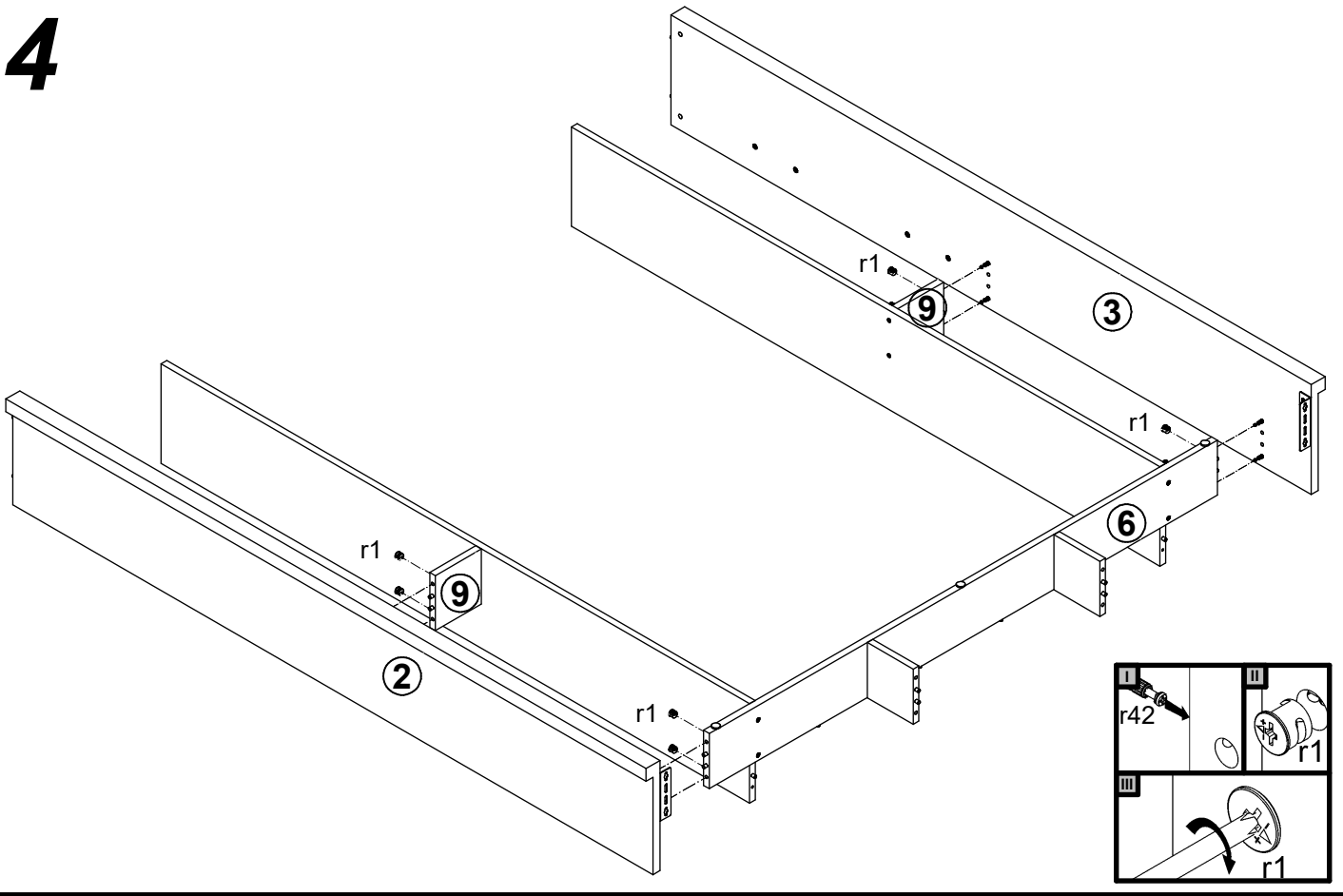
2



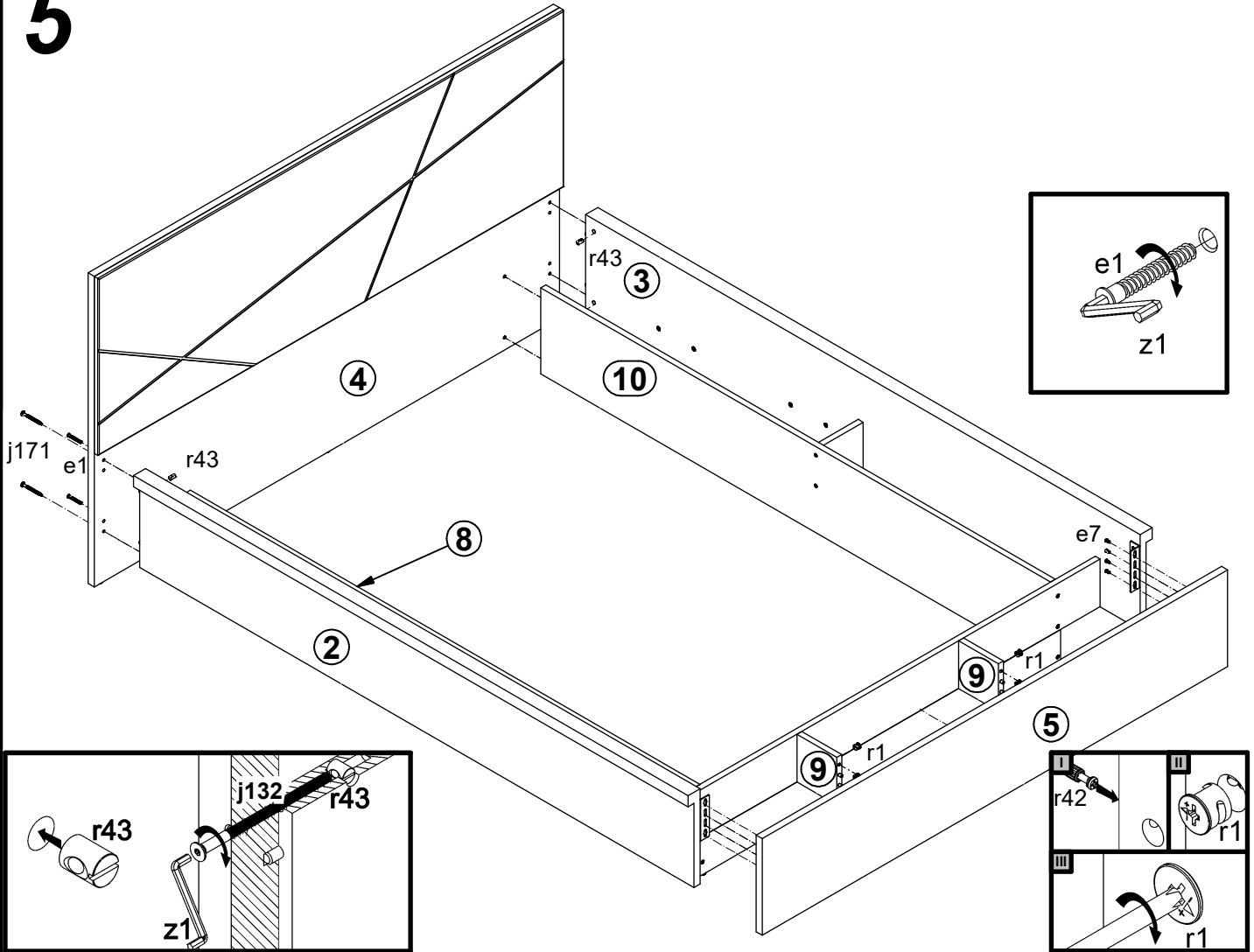
3



4



5



6

