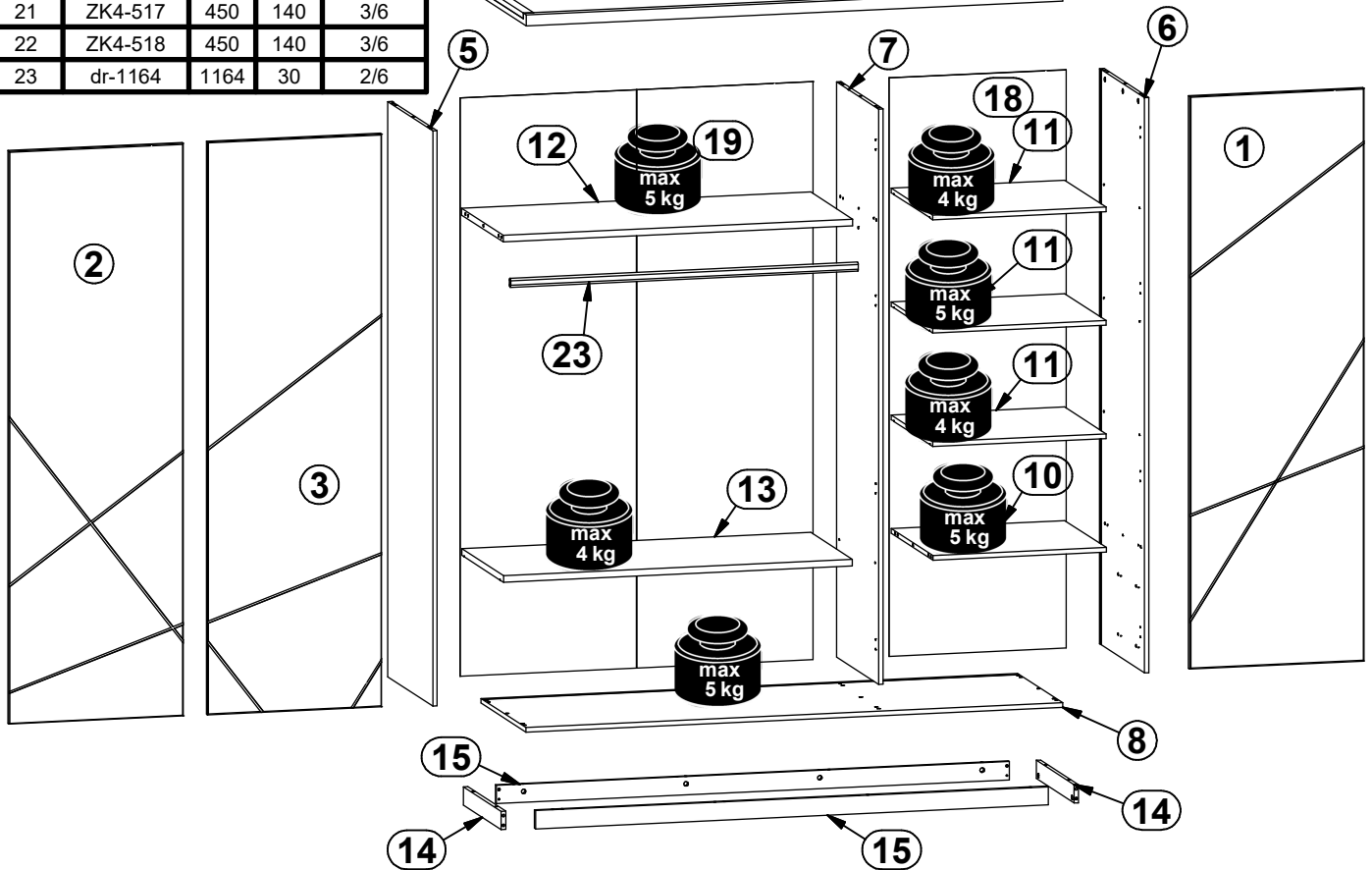
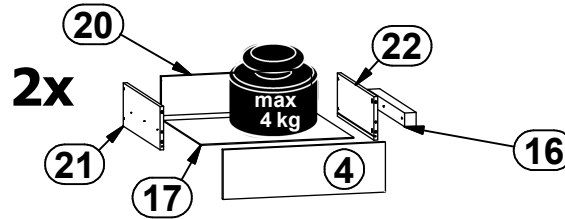
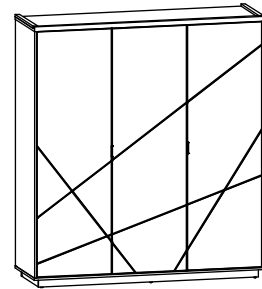
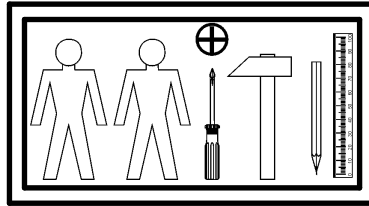
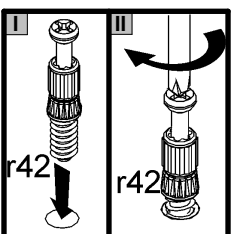
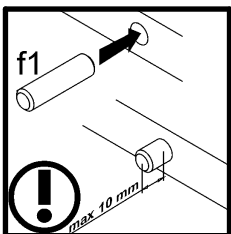
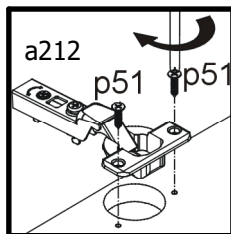
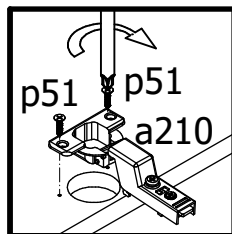
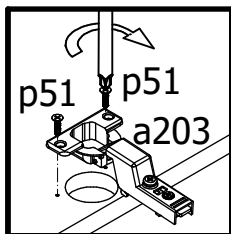
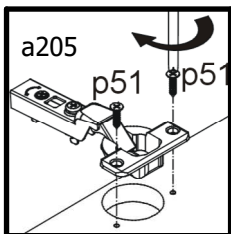
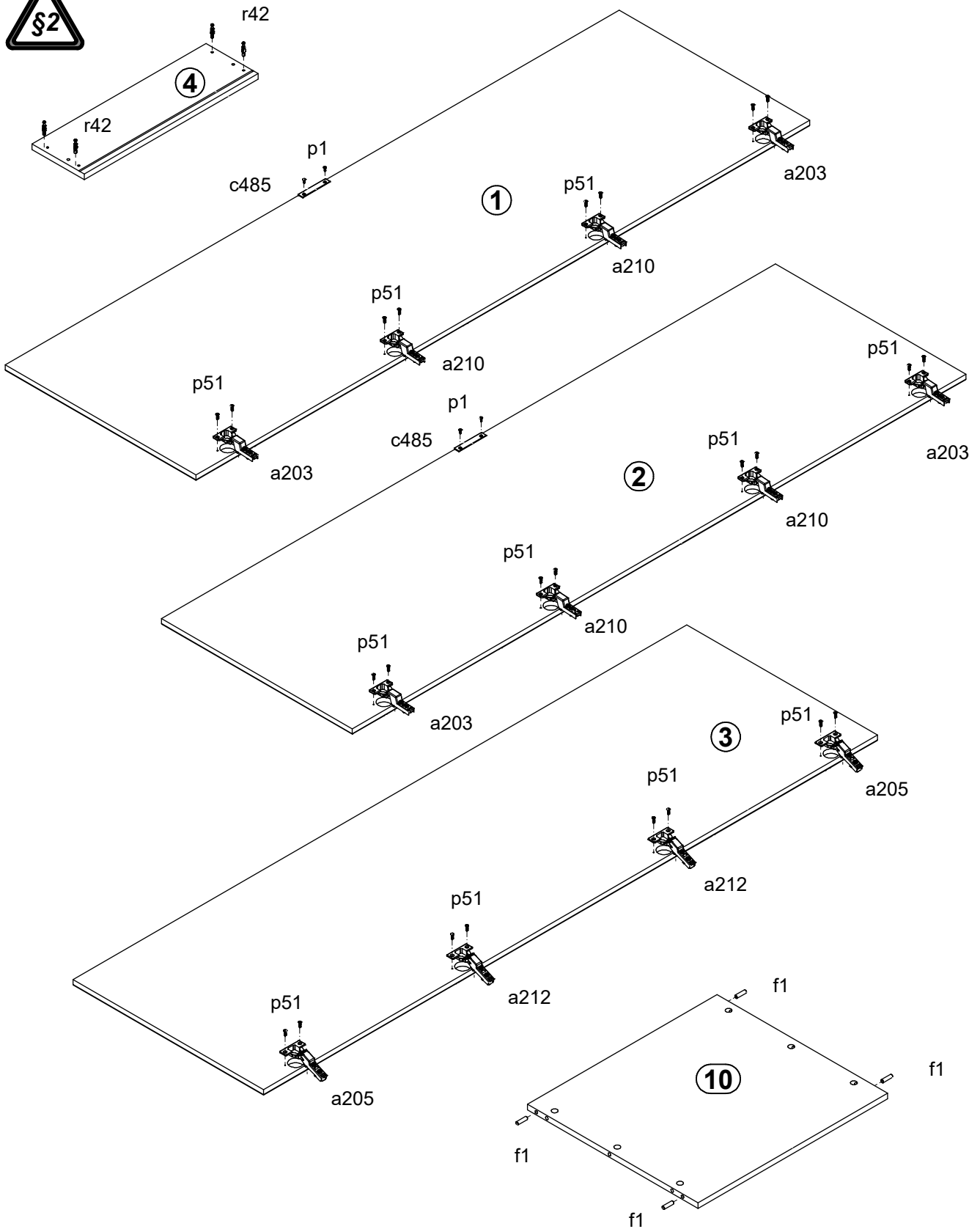


A	B	C	D
1	S471-0030	1881	584
2	S471-0031	1881	584
3	S471-0032	1881	584
4	S471-0033	533	160
5	S471-1023	1889	562
6	S471-1024	1889	562
7	S471-1025	1889	524
8	S471-2019	1798	562
9	S471-2020	1798	565
10	S471-3013	581	522
11	S471-3014	580	518
12	S471-3015	1170	522
13	S471-3016	1169	522
14	S471-4006	472	60
15	S471-4021	1718	60
16	S471-4023	450	45
17	S471-9014	503	457
18	S471-9015	1899	593
19	S471-9307	1899	1183
20	ZK3-5160	493	127
21	ZK4-517	450	140
22	ZK4-518	450	140
23	dr-1164	1164	30

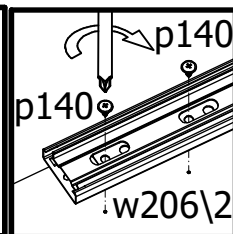
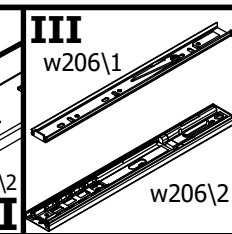
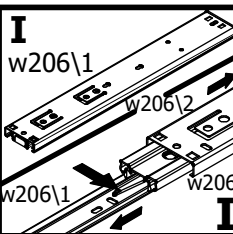
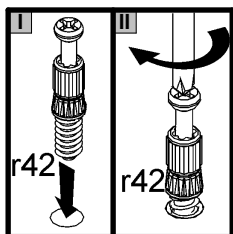
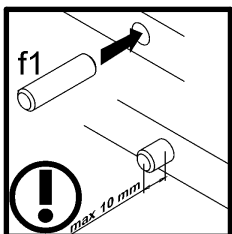
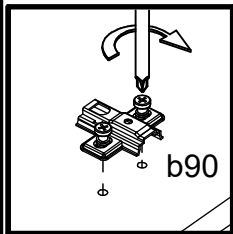
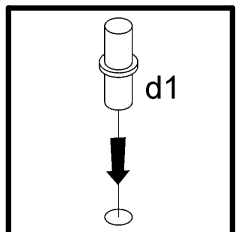
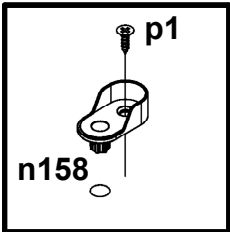
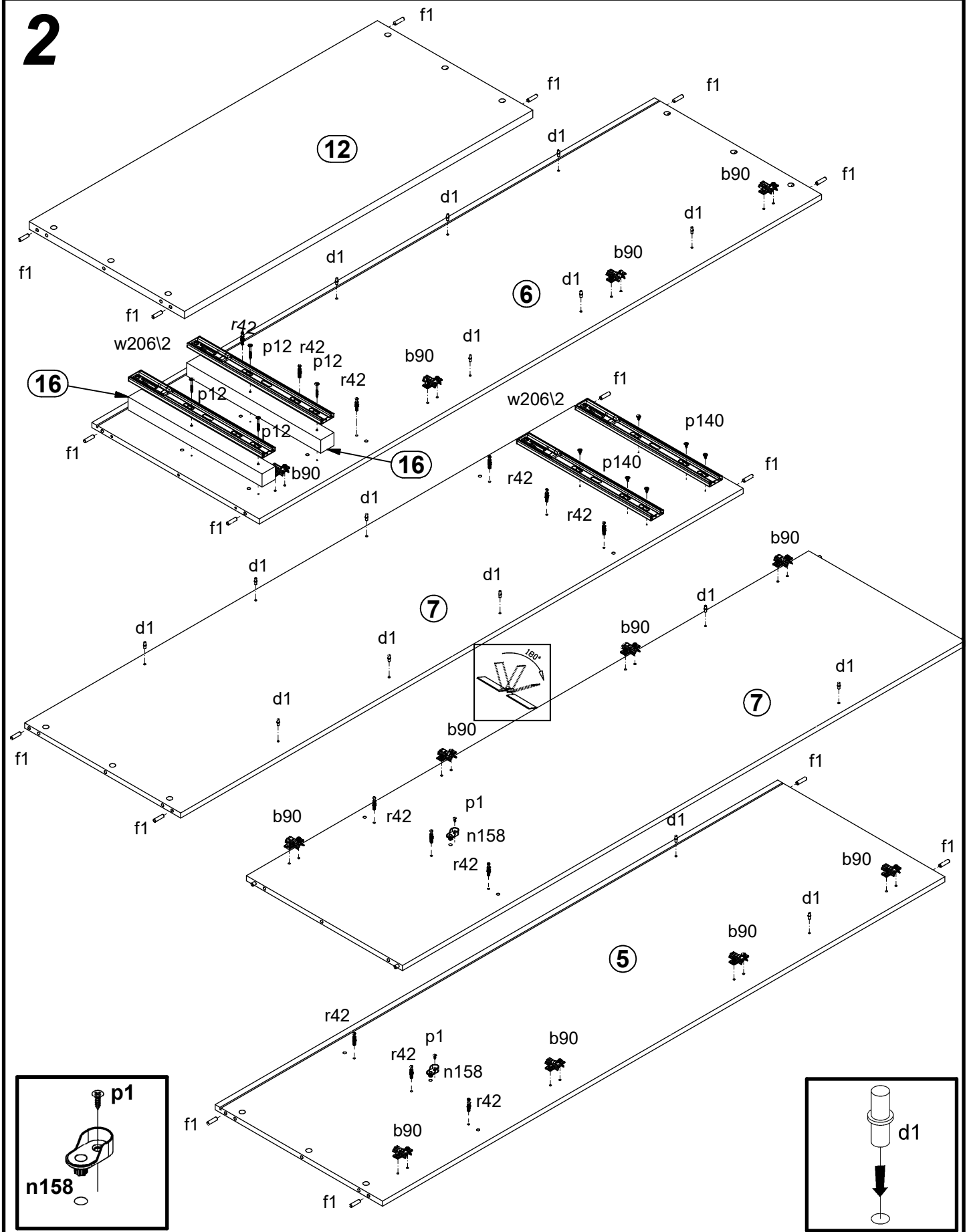


4x hamulec a203	2x hamulec a205	4x hamulec a210	2x hamulec a212	12x b90	2x c485	16x d1	9x e1	40x f1
4x f9	8x f25	2x f35	6x k1	16x l2	9x n108	2x n158	6x p1	4x p12
2x p17	2x p35	30x p51	26x p55	18x p140	33x r1	8x r15	41x r42	2x t38
4x w206\1	4x w206\2	15x s68	1x z1	2x n14\2				

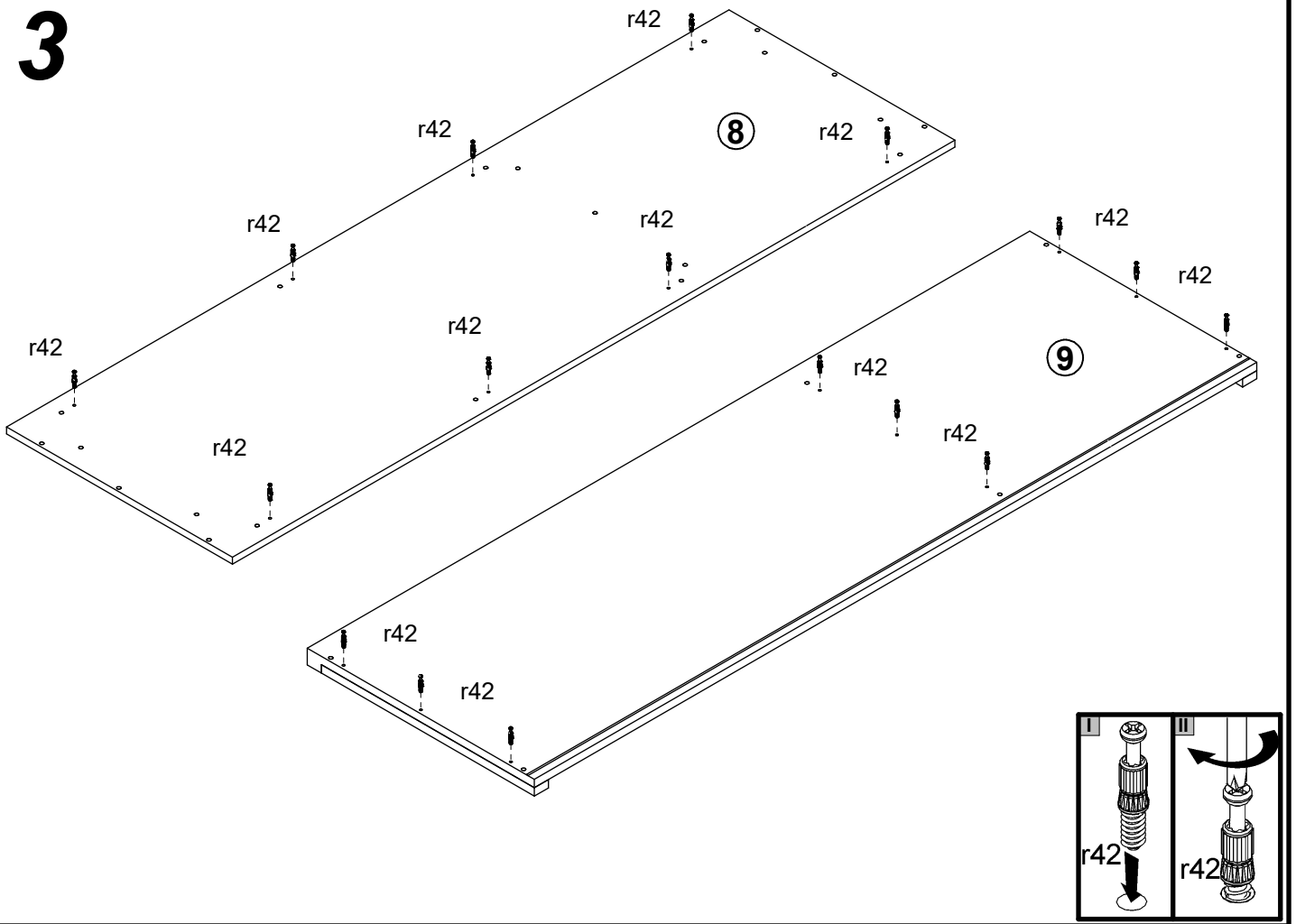
1 



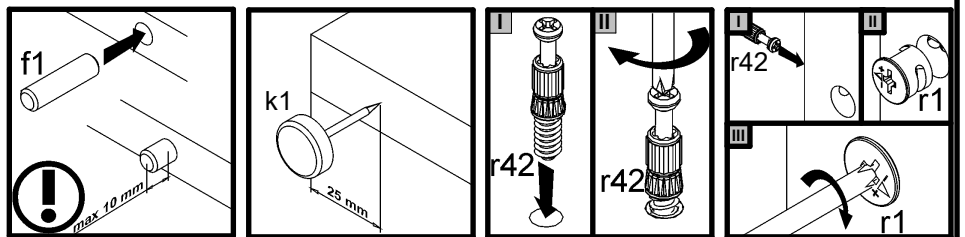
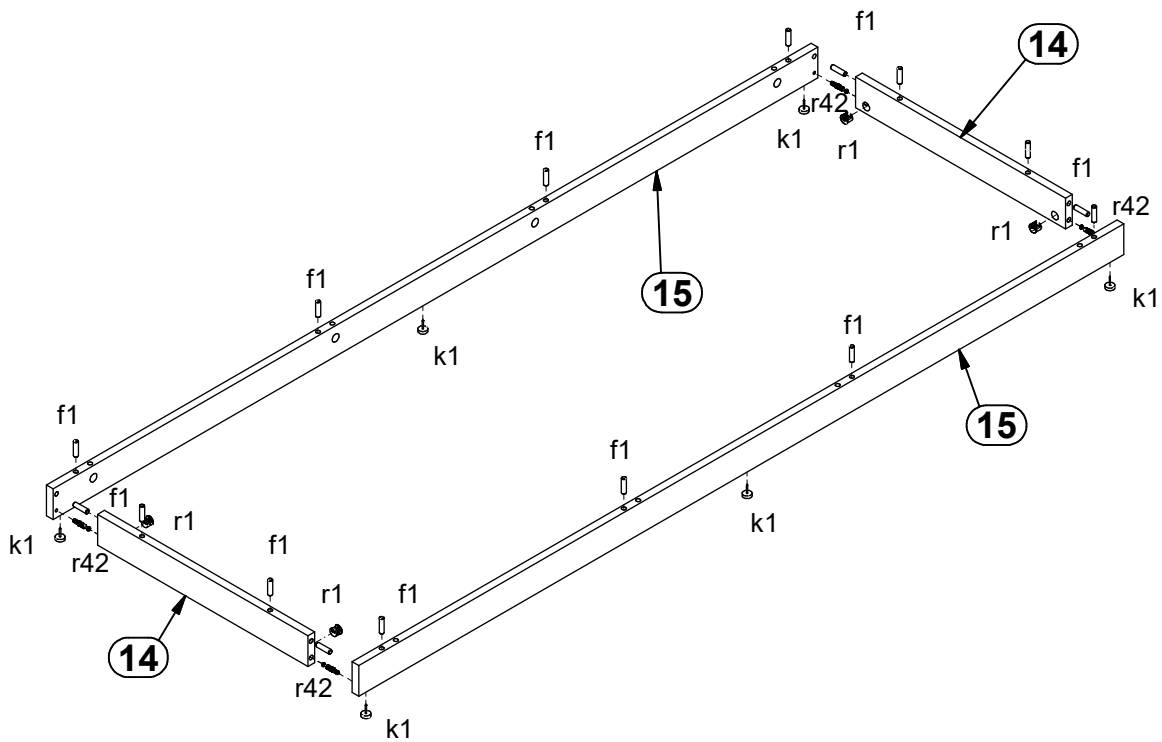
2



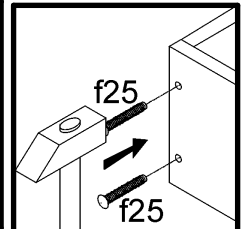
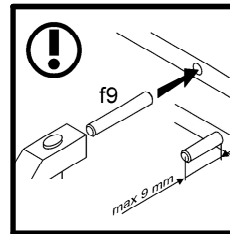
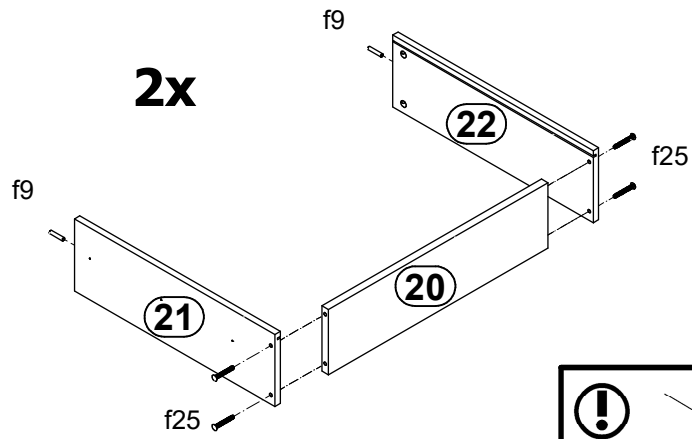
3



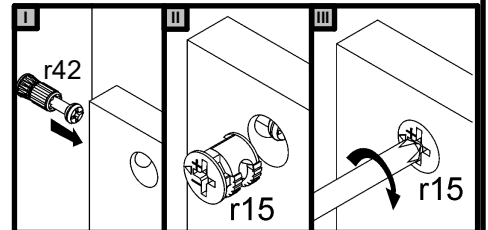
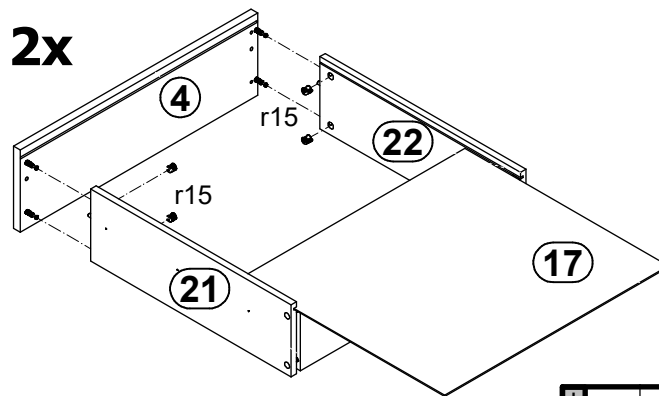
4



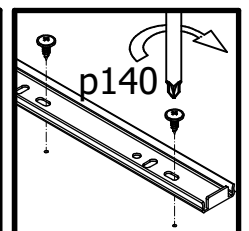
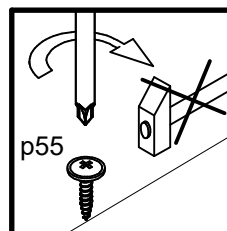
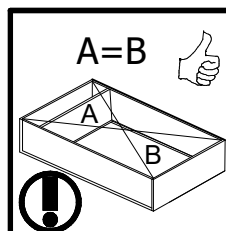
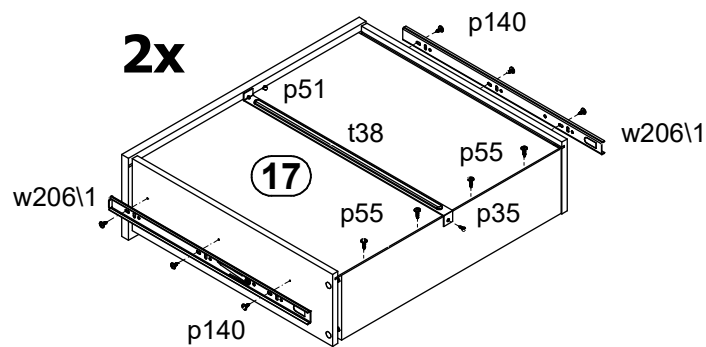
5



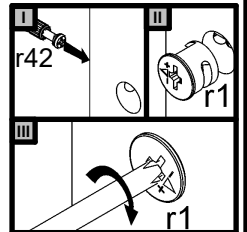
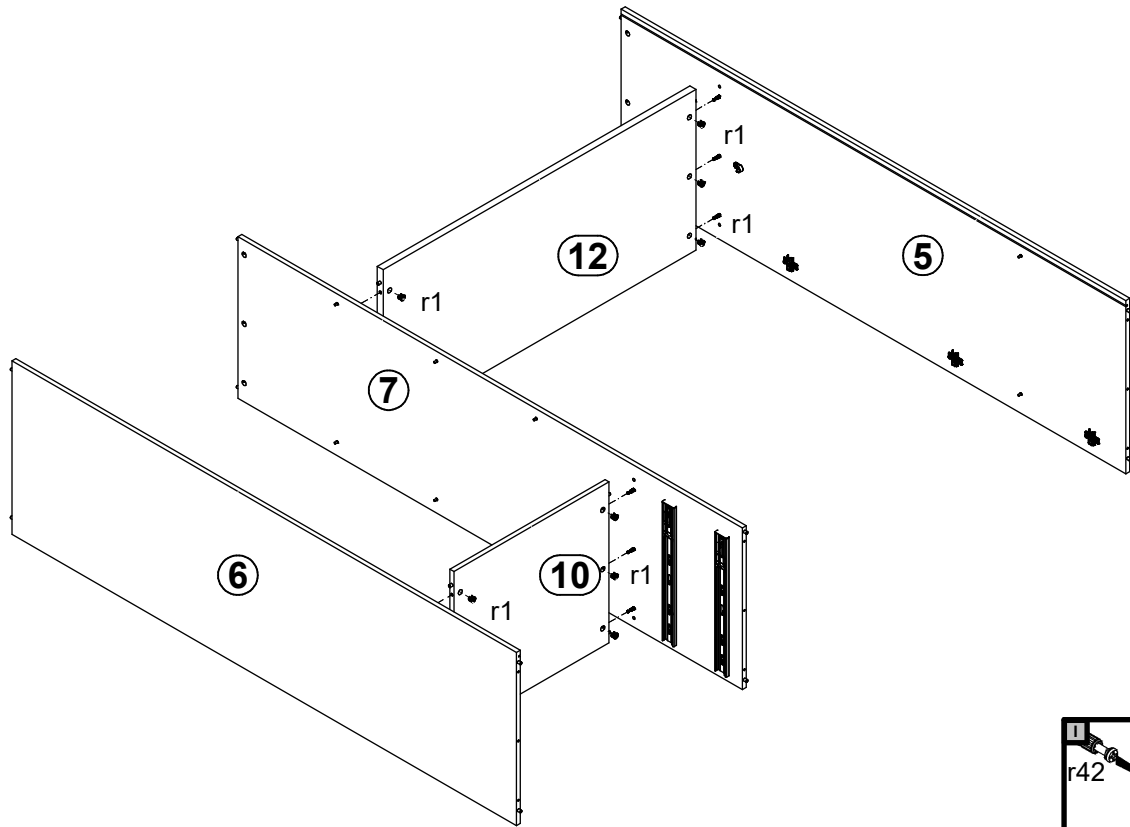
6



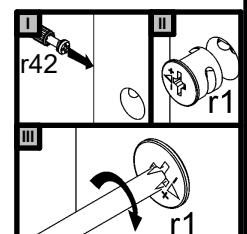
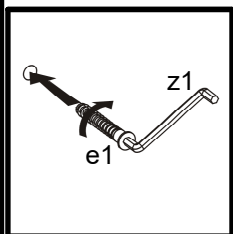
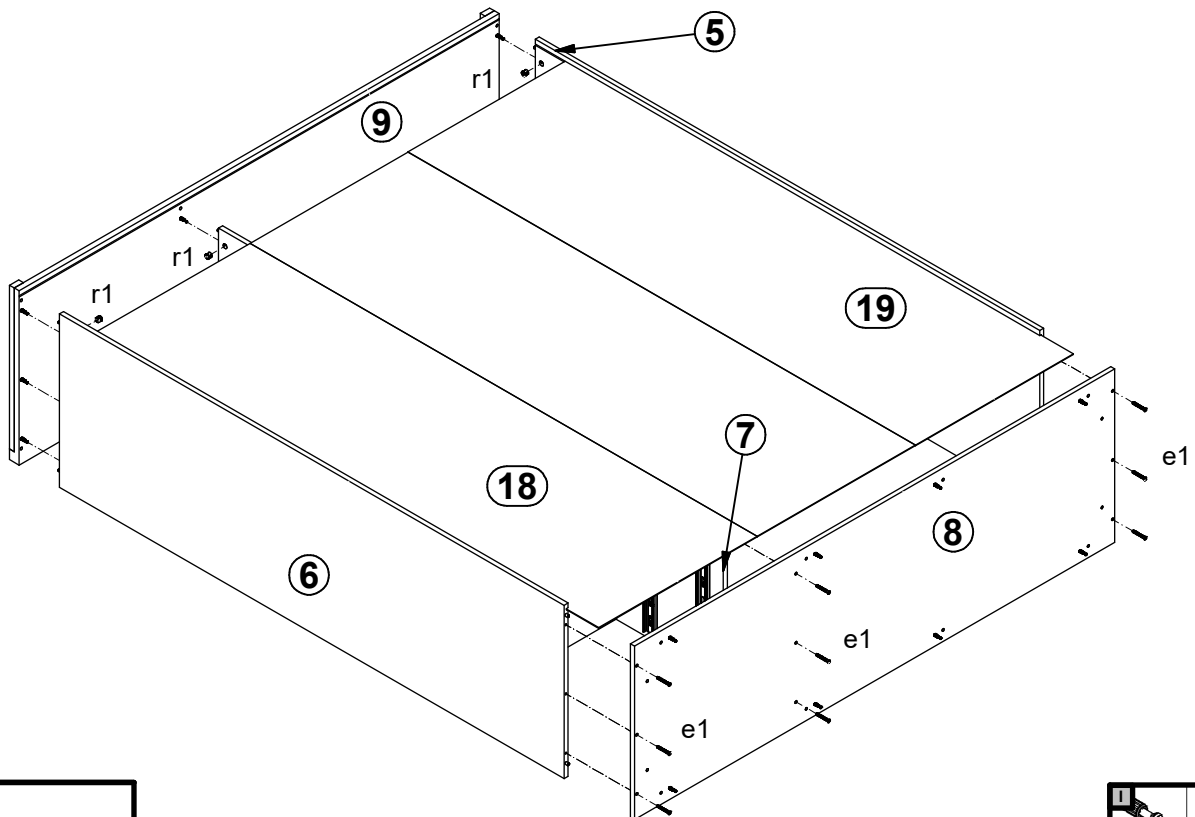
7



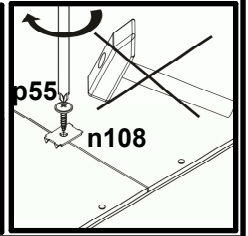
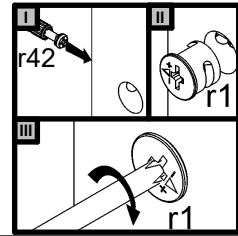
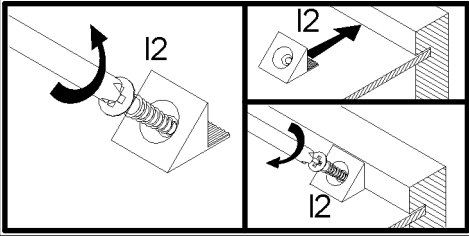
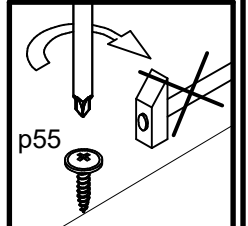
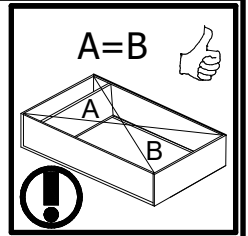
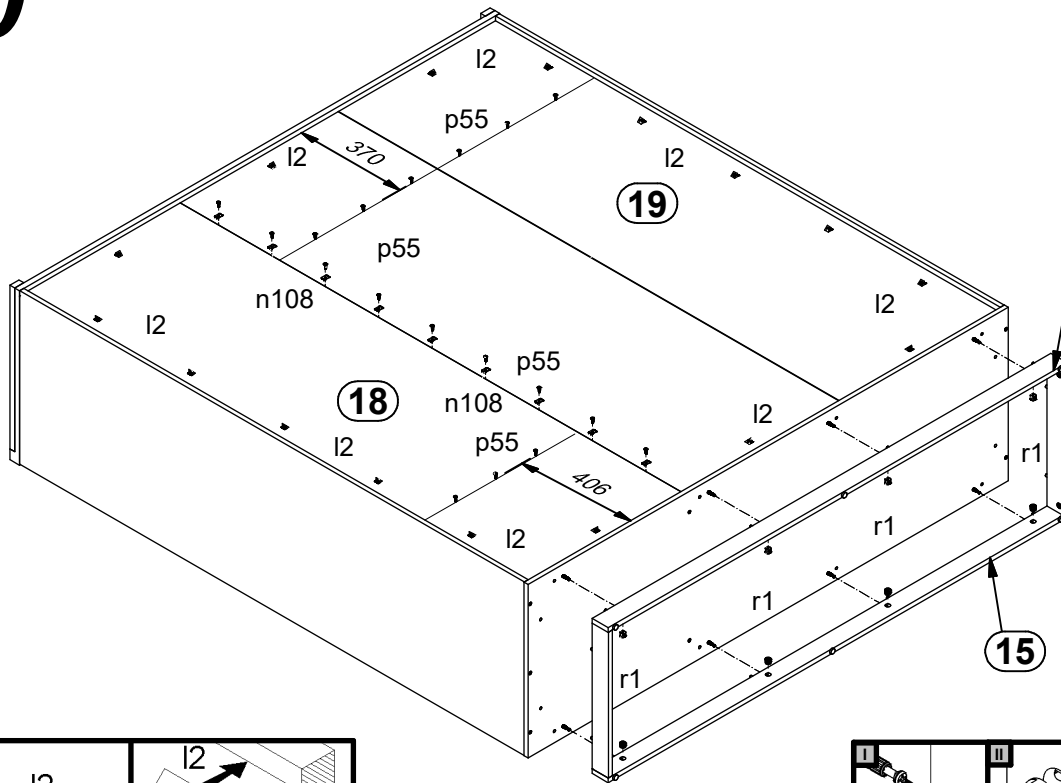
8



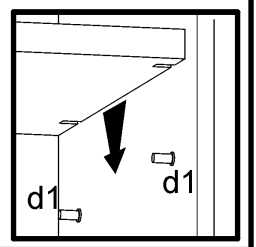
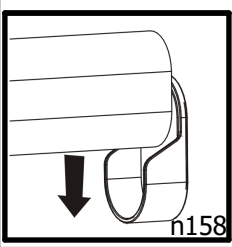
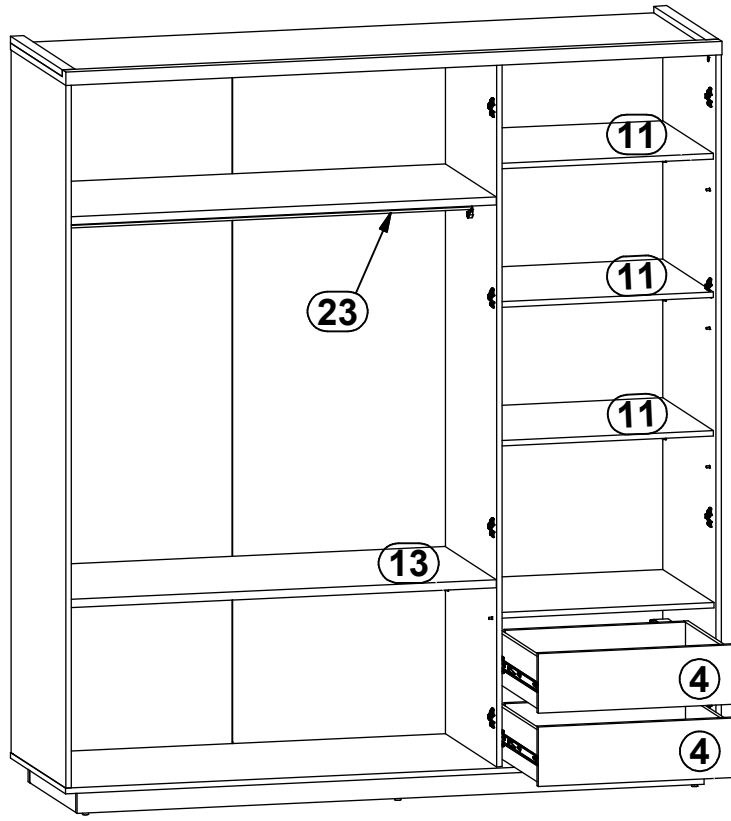
9



10



11



12

