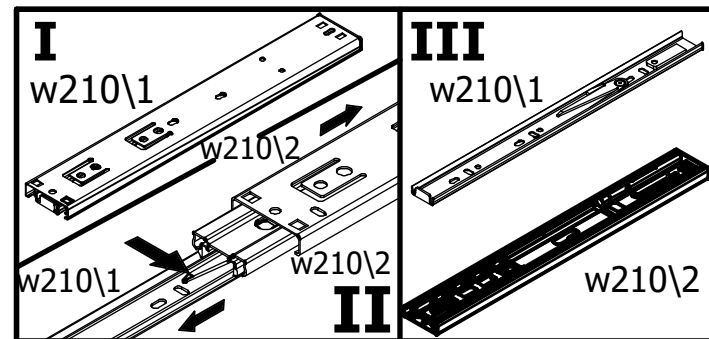
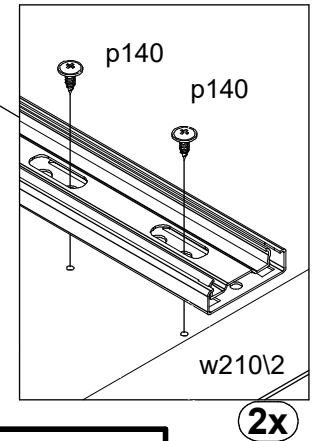
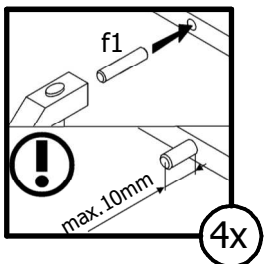
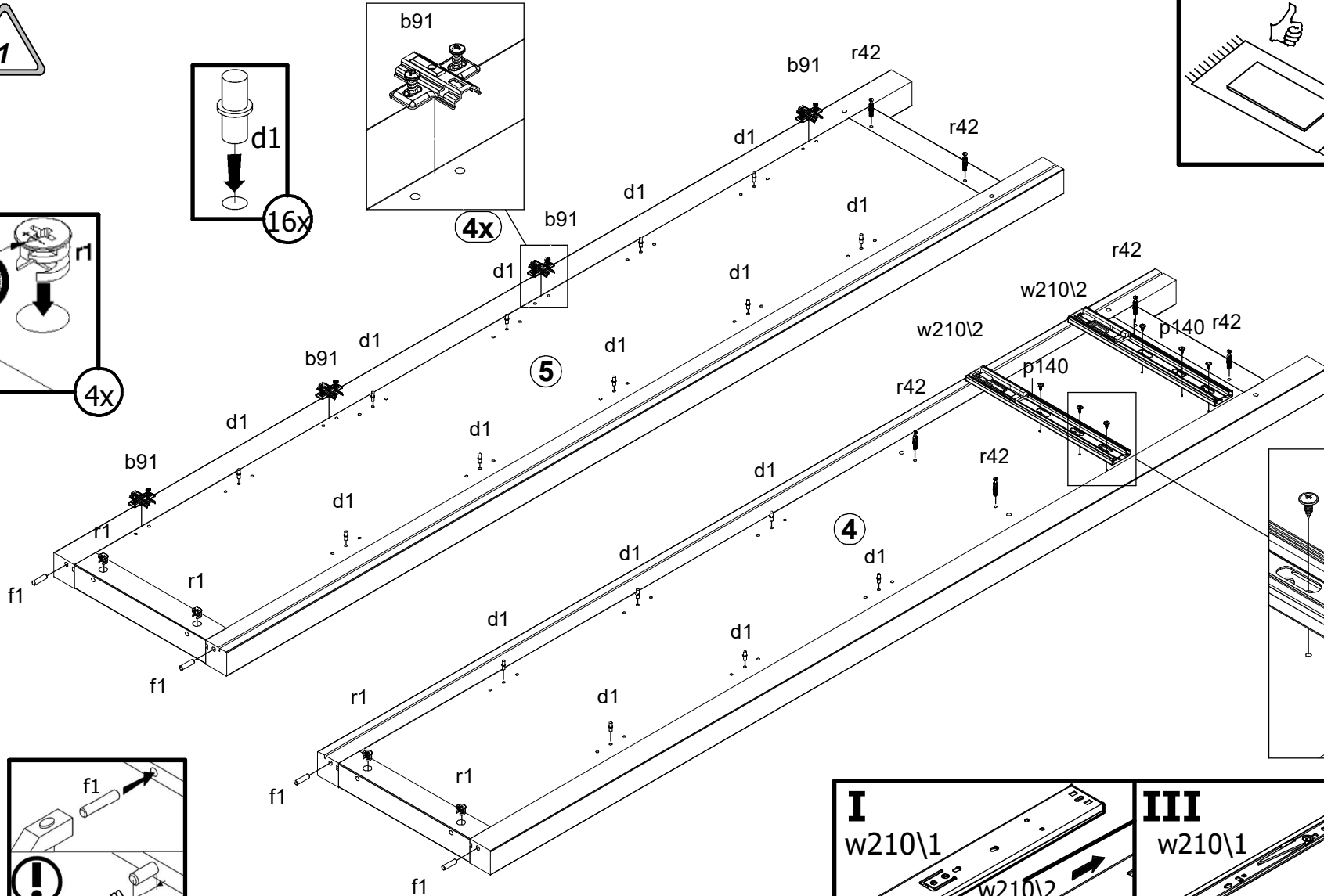
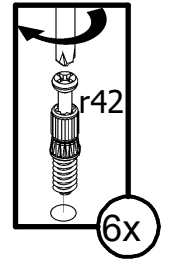
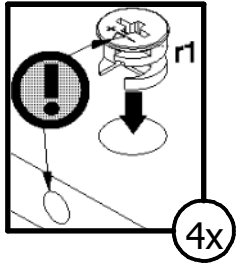
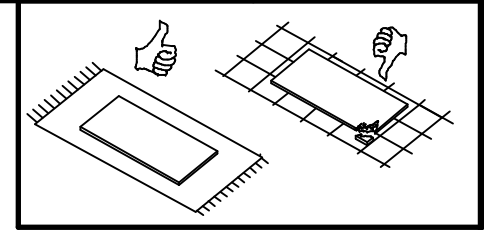
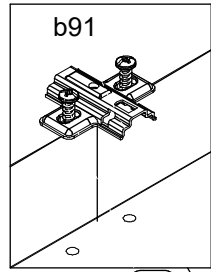
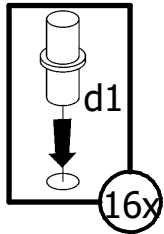


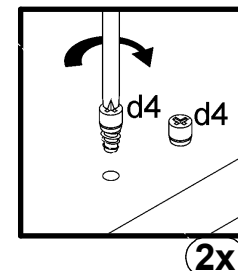
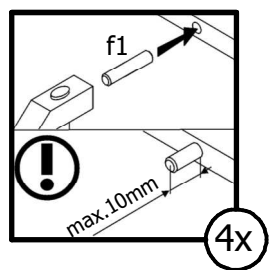
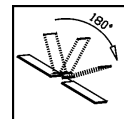
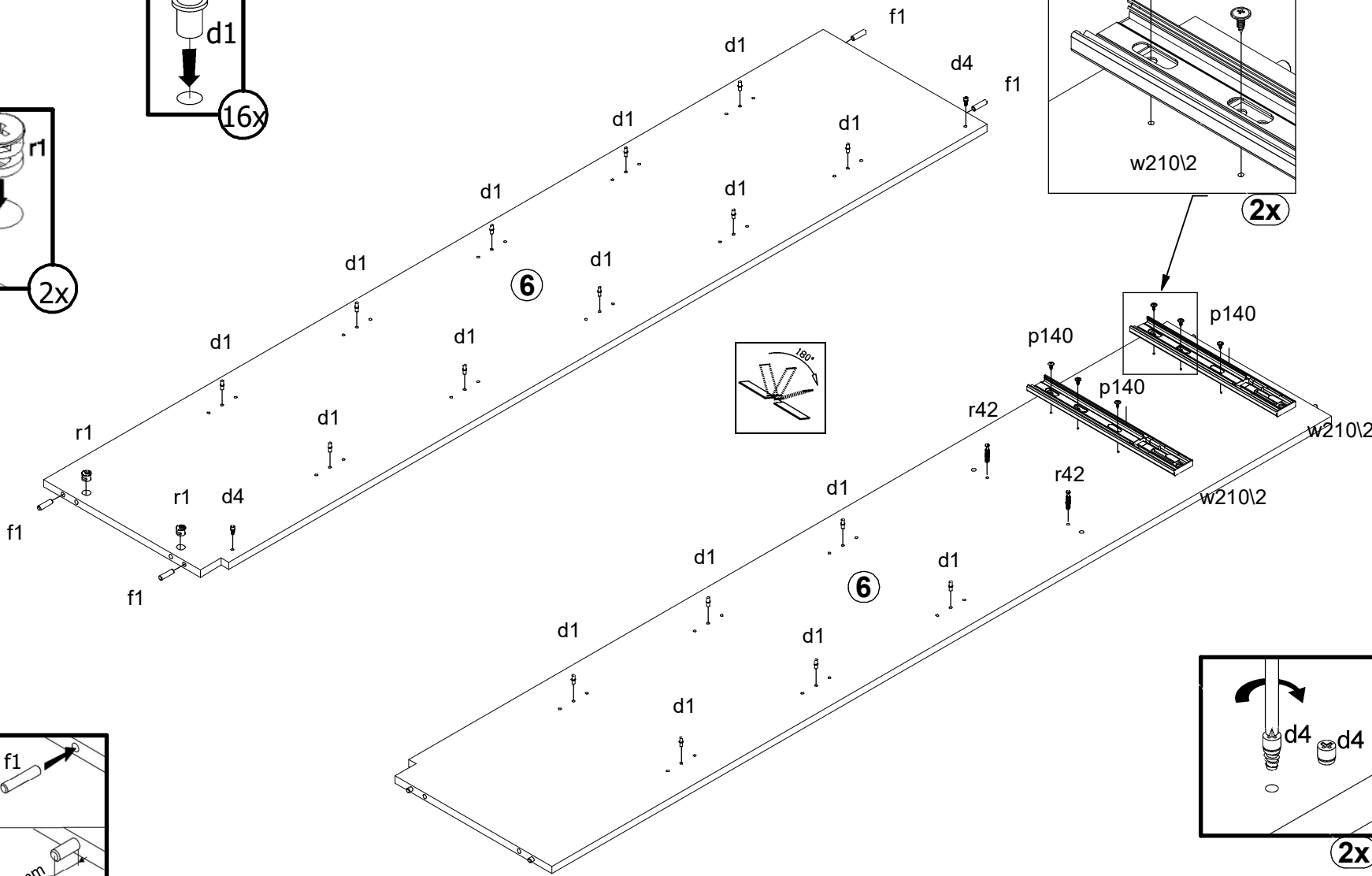
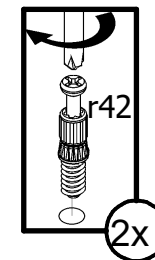
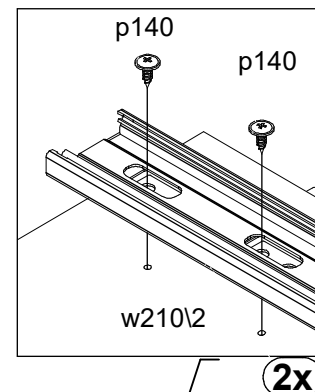
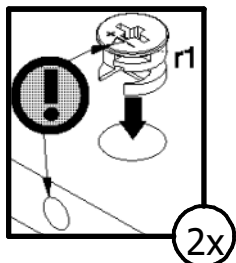
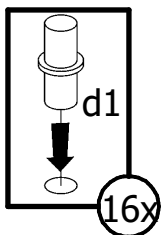
A	B1	B2	C1	C2	C3	D
1	S503-5005	-	134	50	50	3/4
2	S515-0001	-	1794	442	19	4/4
3	S515-0002	-	442	240	15	2/4
4	S515-1001	A	2000	413	50	3/4
5	S515-1002	A	2000	413	50	3/4
6	S515-1003	A	1851	390	15	4/4
7	S515-2001	A	1060	438	28	2/4
8	S515-3001	A	911	372	15	1/4
9	S515-3002	A	448	370	15	2/4
10	S515-3003	A	447	362	15	1/4
11	S515-5201	-	911	50	19	4/4
12	S515-5202	-	448	50	19	4/4
13	S515-9001	-	1869	460	2,5	4/4
14	S515-9002	-	1869	460	2,5	4/4
15	WSP-9329	-	408	358	2,5	2/4
16	ZK3-5060	-	398	167	15	2/4
17	ZK4-503	-	350	180	12	2/4
18	ZK4-504	-	350	180	12	2/4

4x b91	4x a203	1x M4x25 mm j8	5x k1	13x l1
32x ø5x17 mm d1	3x c475	12x l2	42 ø3,5x16 mm p38	8x ø3,5x15 mm p51
2x ø6,3x15 mm d4	3x ø7x50 mm e1	14x ø15x12 mm #16 r1	22x ø7x50 mm r42	6x ø16 s2
4x ø6x30 mm f9	8x ø6,5x40 mm f25	8x ø12x10,5 mm #12 r15	16x ø8x30 mm f1	24x ø3,5x12 mm p140
8x d41/2	9x 20x13x3,5/17 n108	9x ø2,9x16 mm p55	5x ø16 mm o114	4x L=350 mm w210/1
2x M4x22 mm j30	1x z1	1x o60/3_4	4x L=350 mm w210/2	
1x ø10x50 mm f35	1x ø5x60 mm p17	2x ø3,5x16 mm p38	1x 88x21x15/1,5 n14/2	

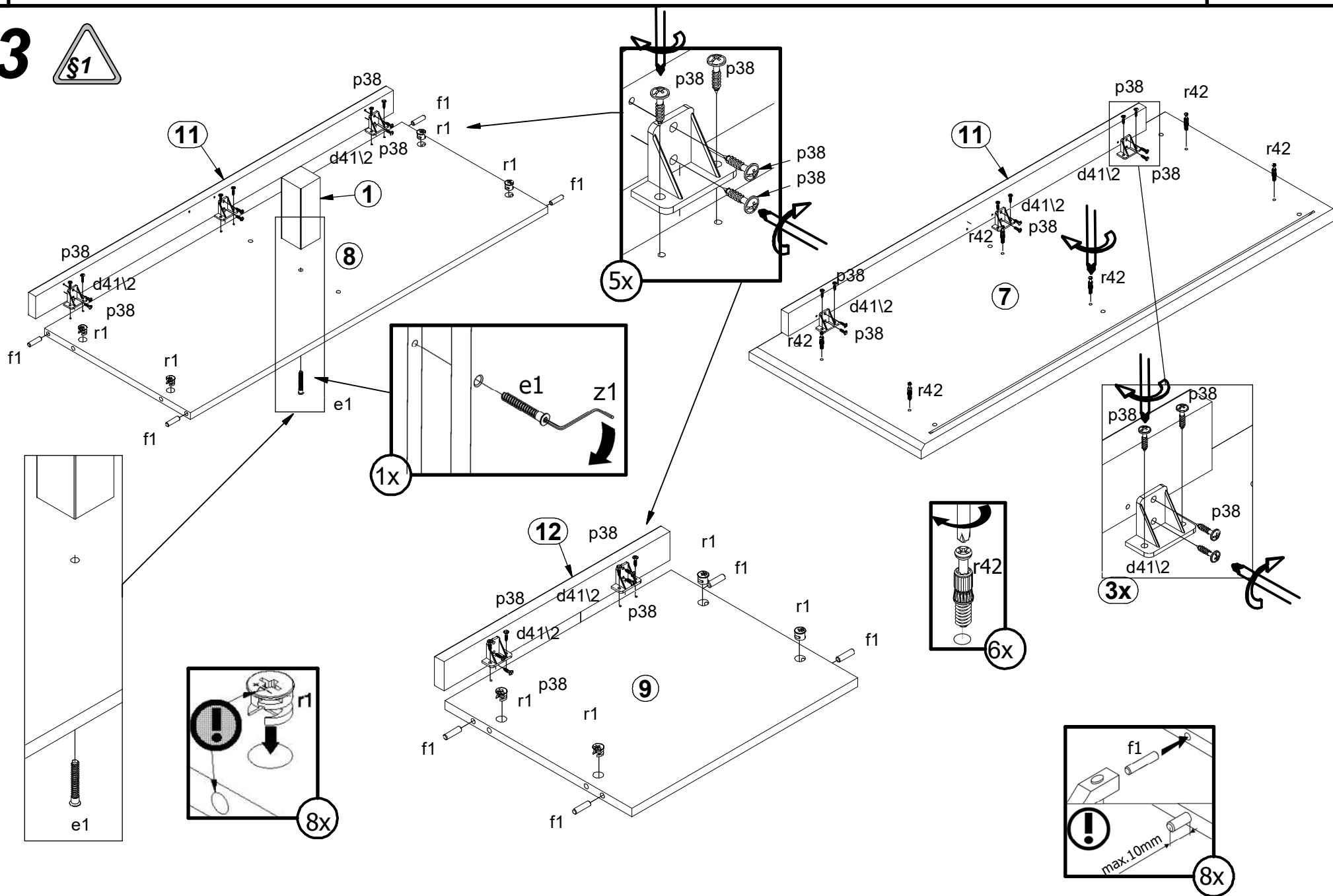


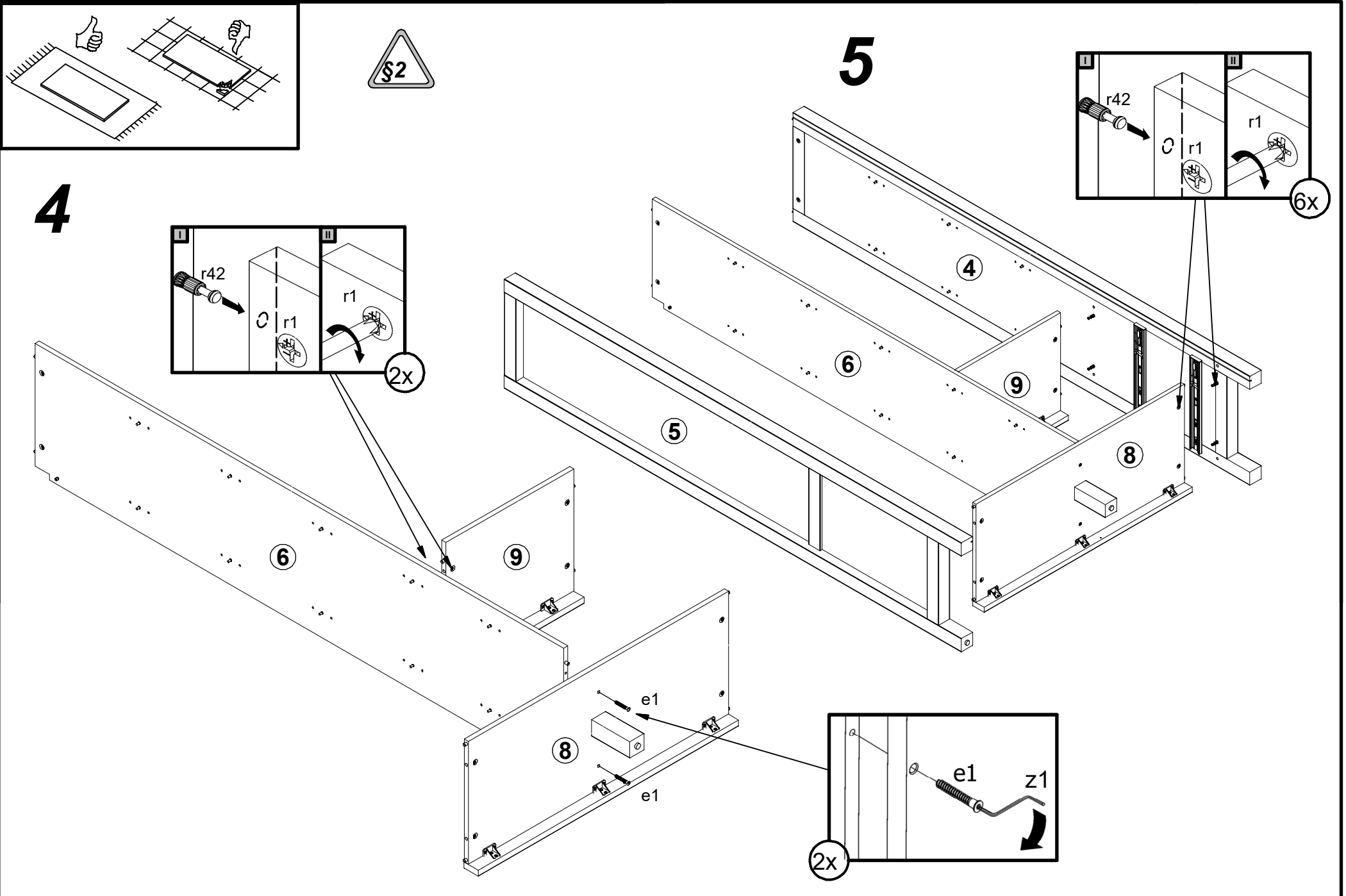


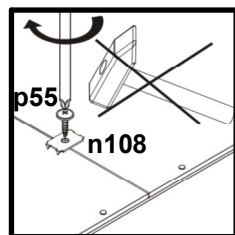
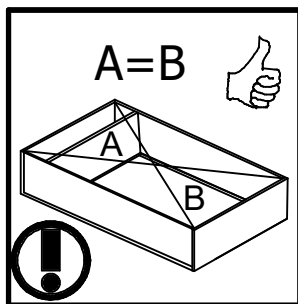
2



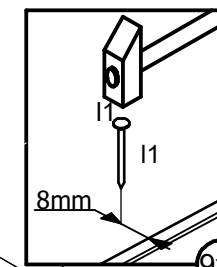
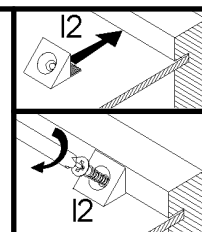
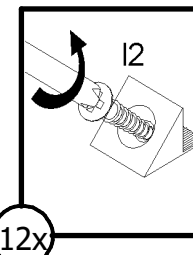
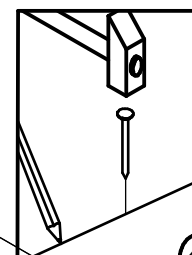
3



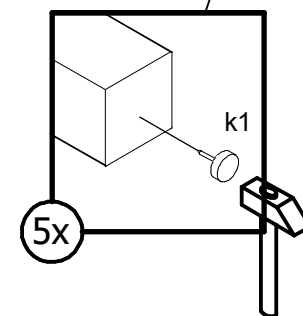
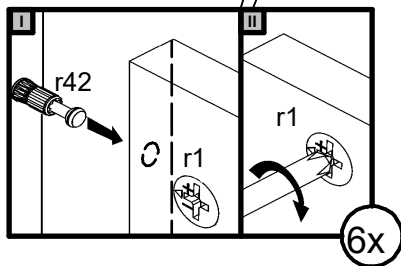
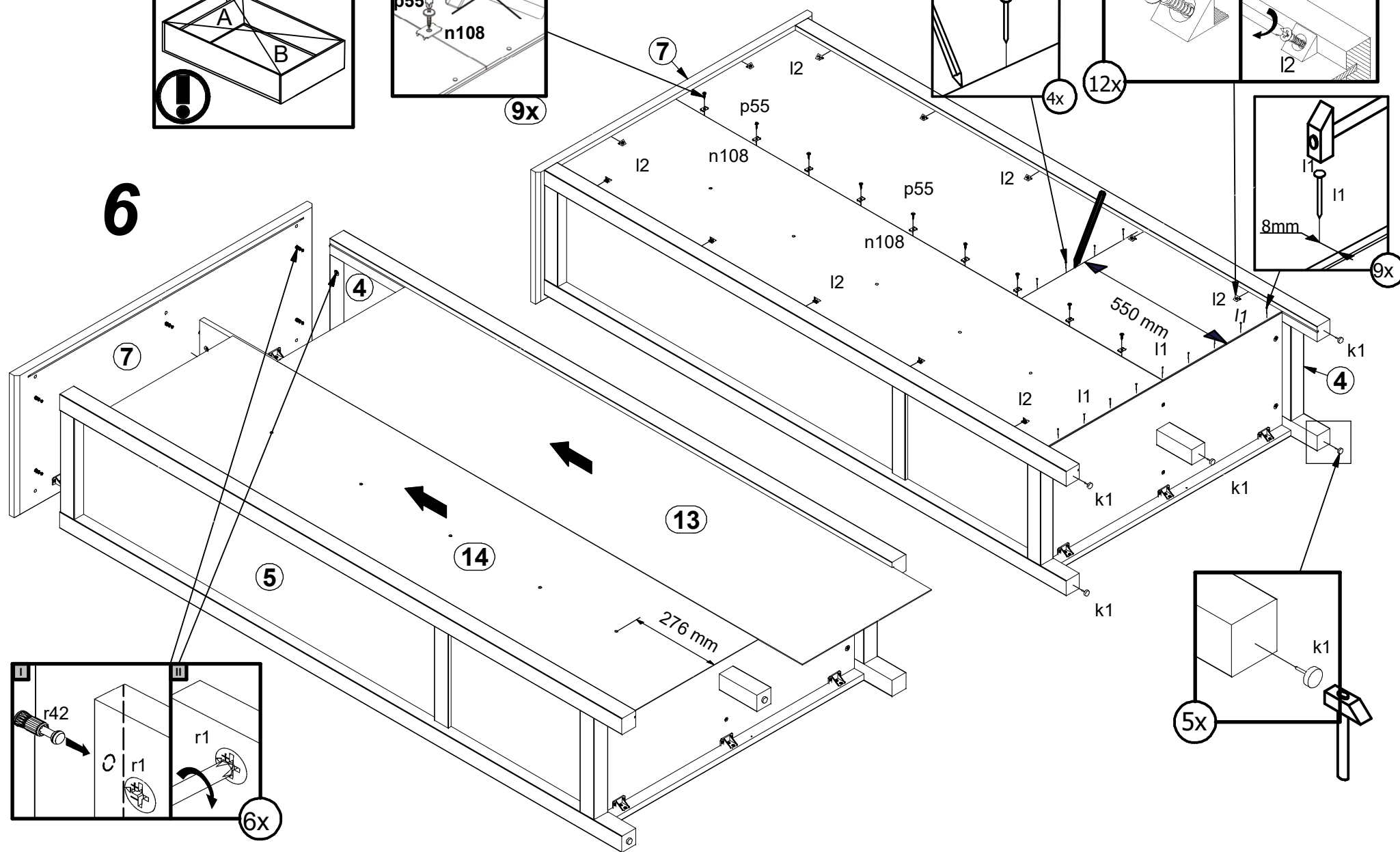




7

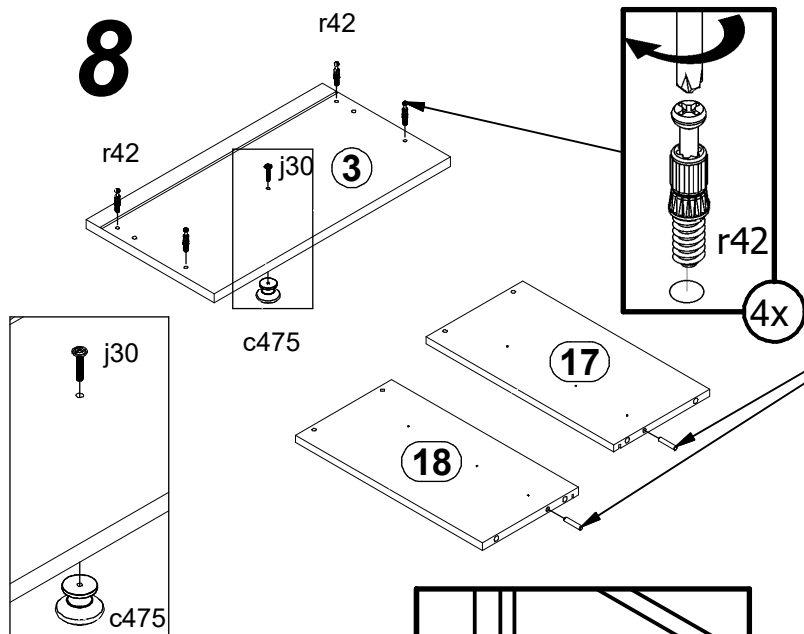


6

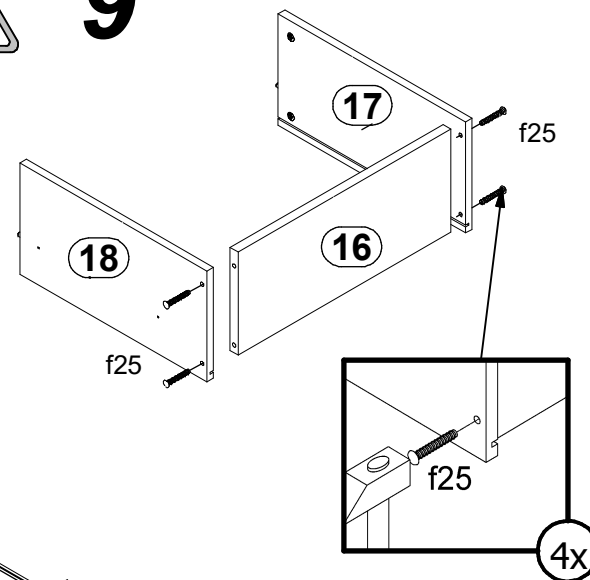


5x

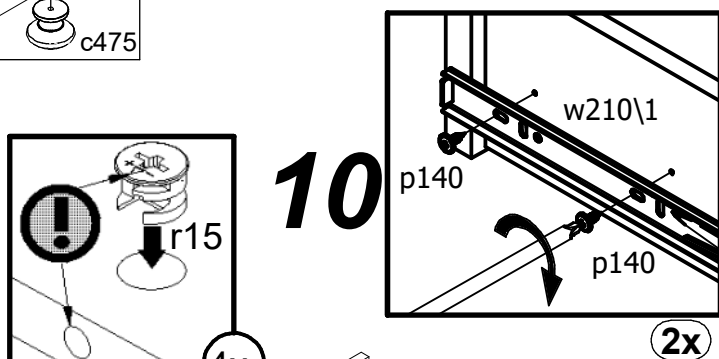
8



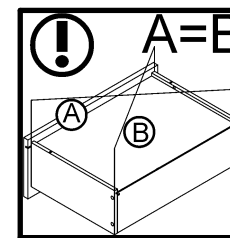
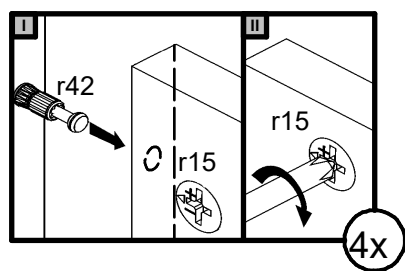
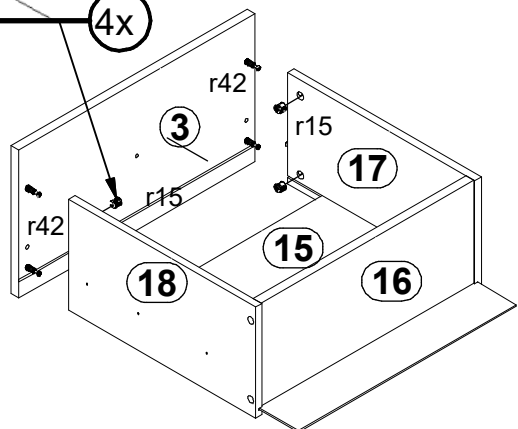
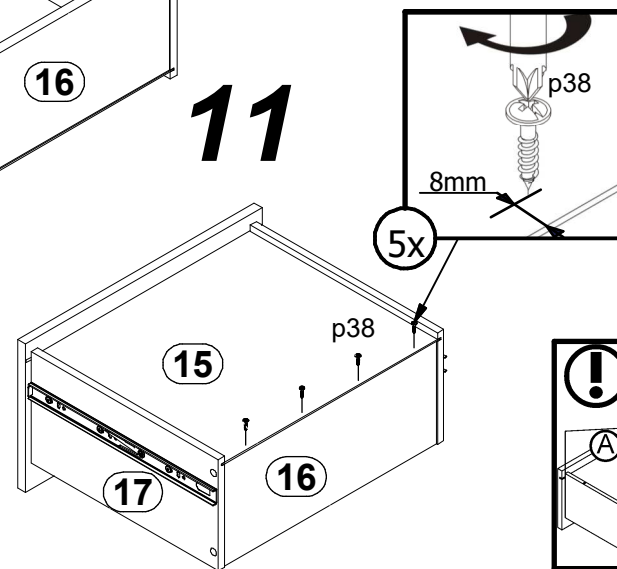
9



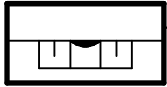
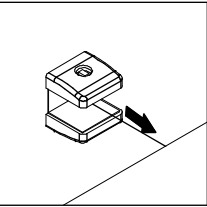
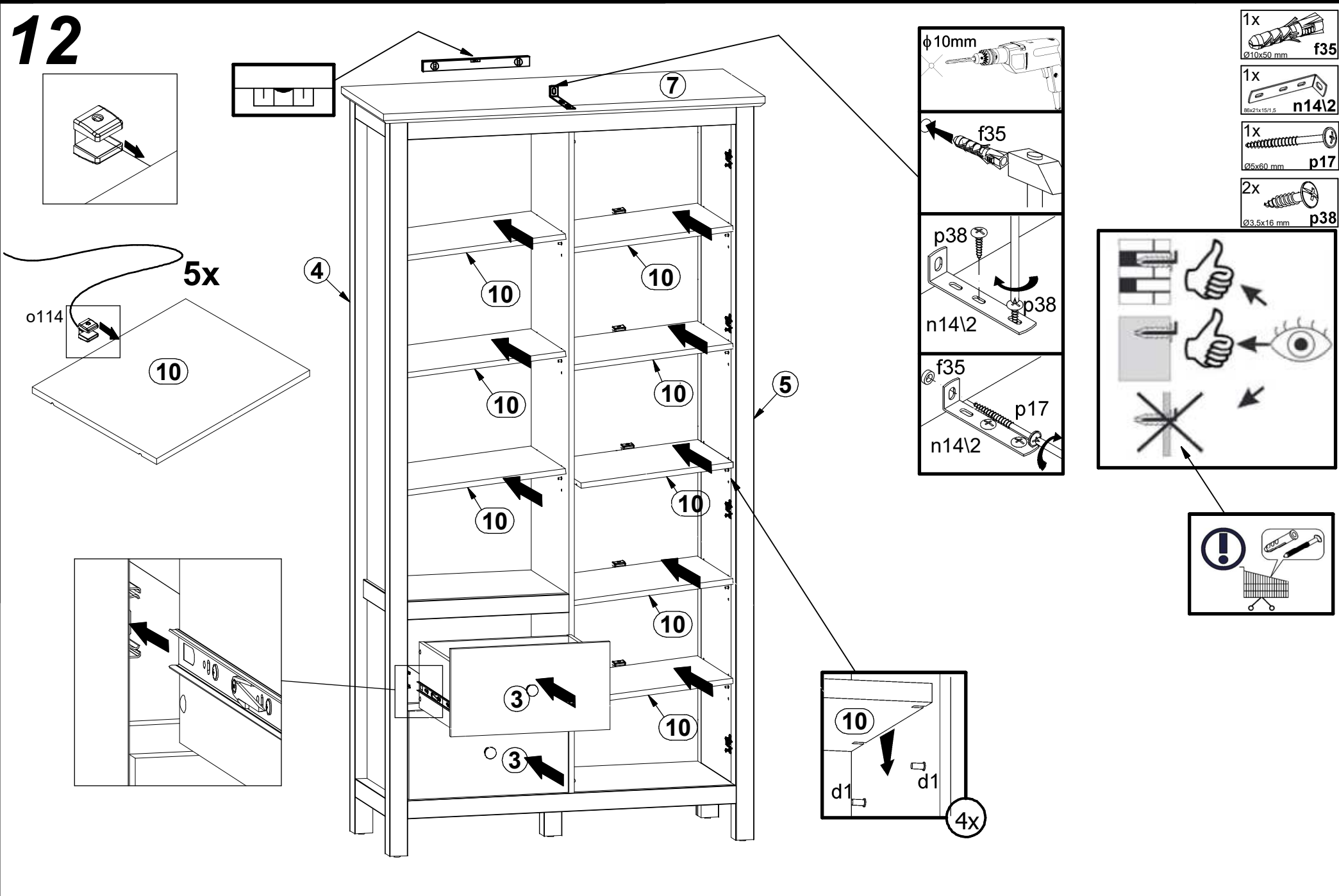
10



11



12



7

10

10

10

10

10

10

10

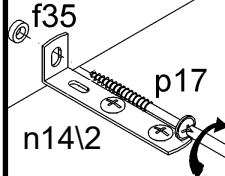
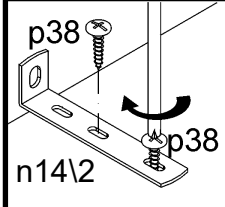
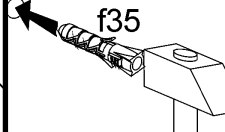
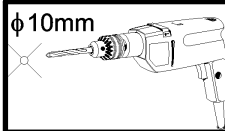
10

3

3

10

5

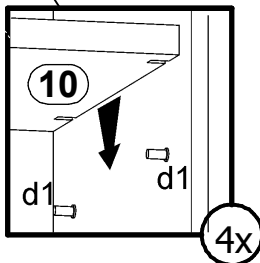
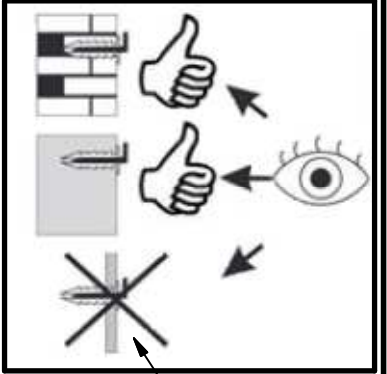


1x
φ 10x50 mm
f35

1x
88x21x15/1.5
n14/2

1x
Ø5x60 mm
p17

2x
Ø3.5x16 mm
p38



4x

13

