

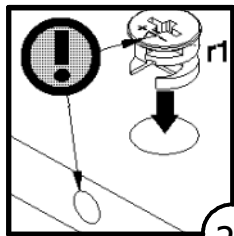
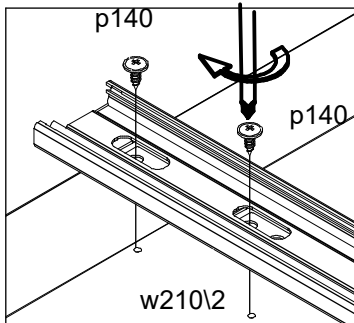
A	B1	B2	C1	C2	C3	D
1	S515-0007	-	855	240	15	2/3
2	S515-1011	A	1179	413	50	3/3
3	S515-1012	A	1179	413	50	3/3
4	S515-2004	A	1010	438	28	2/3
5	S515-3011	A	861	372	15	1/3
6	S515-5204	-	861	50	19	3/3
7	S515-9303	-	1048	871	2,5	3/3
8	WSP-9331	-	821	358	2,5	1/3
9	ZK3-5077	-	811	167	15	1/3
10	ZK4-503	-	350	180	12	1/3
11	ZK4-504	-	350	180	12	1/3

8x 	6x 	8x 
8x 	16x 	8x 
4x 	9x 	8x 
4x 	4x 	56x 
48x 	8x 	16x 
24x 	4x 	8x 
		8x 

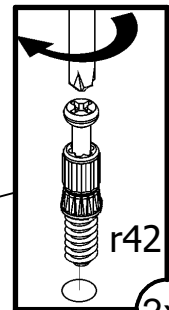
1x 	1x 	2x 	1x 
--------	--------	--------	--------



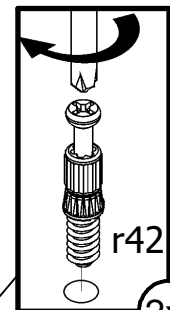
1 



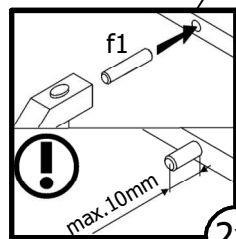
2x



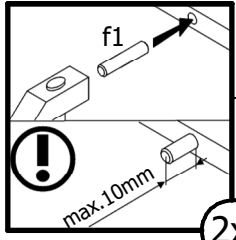
2x



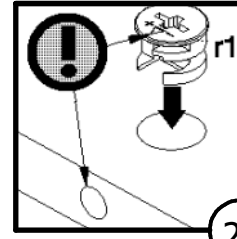
2x



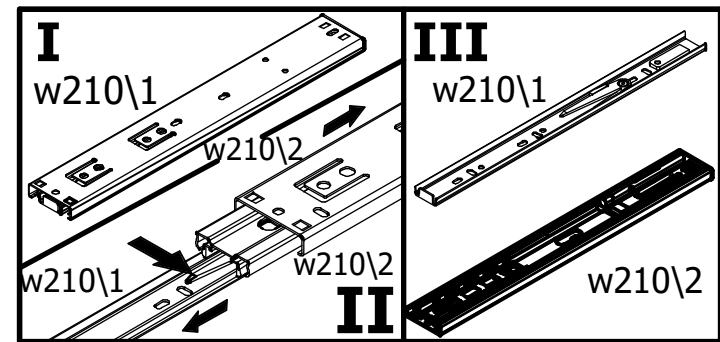
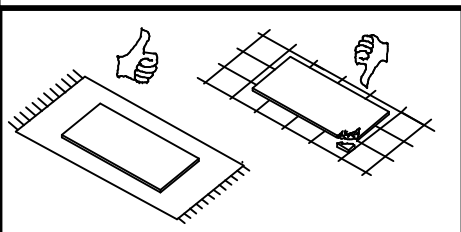
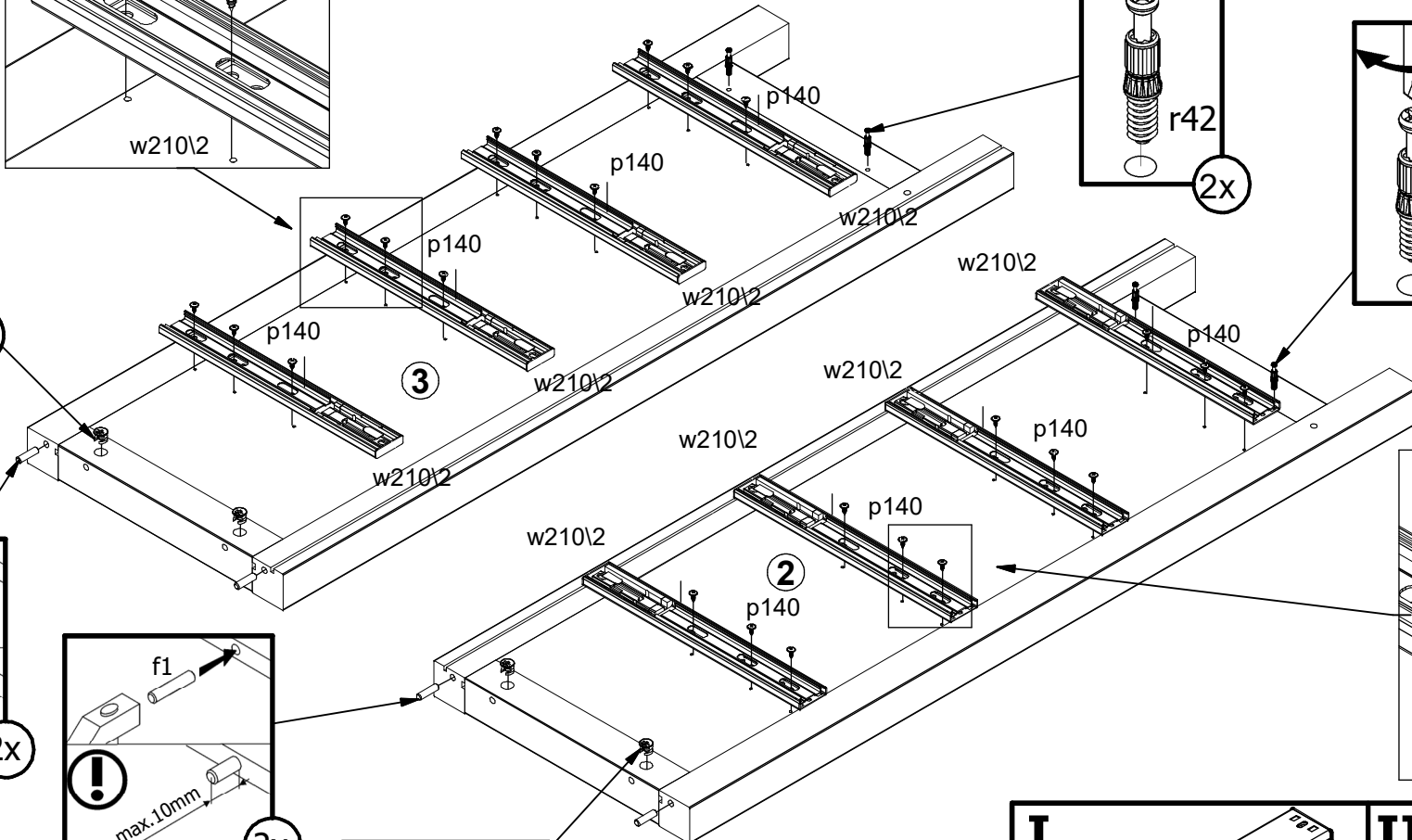
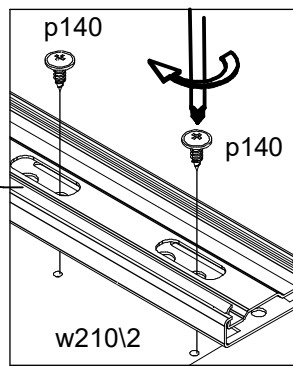
2x



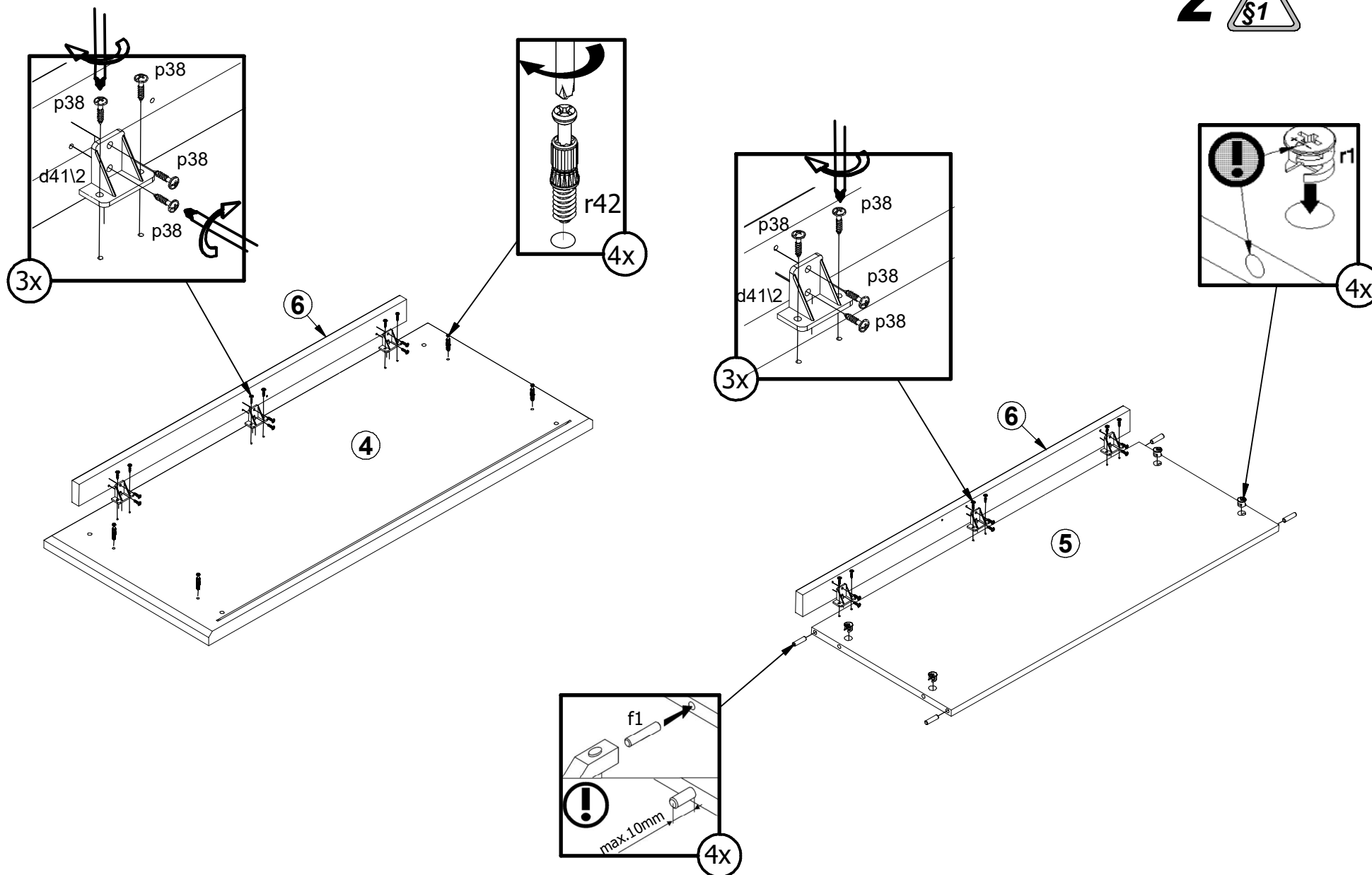
2x



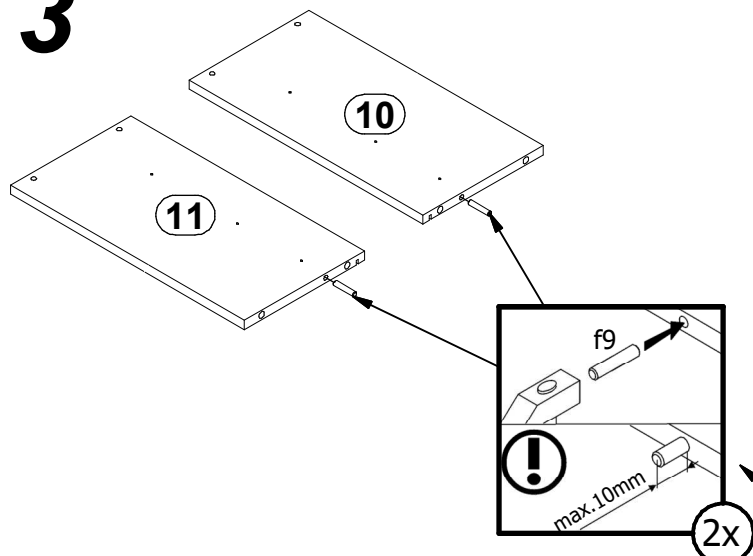
2x



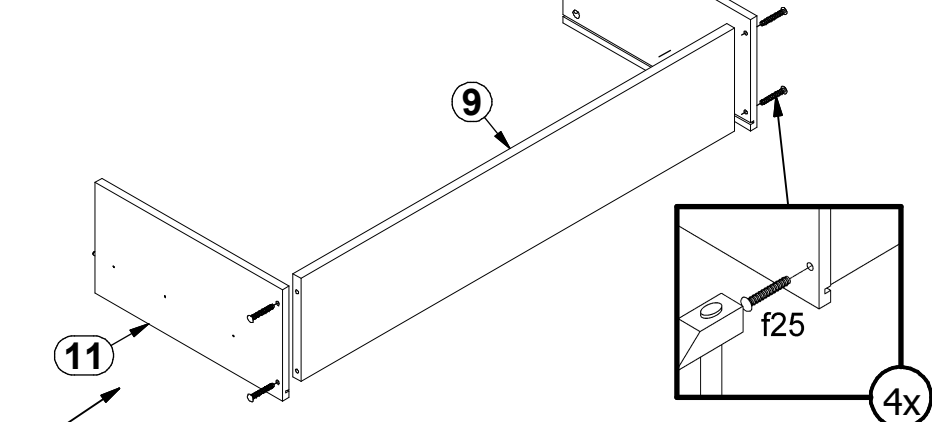
2 



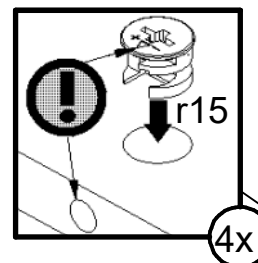
3



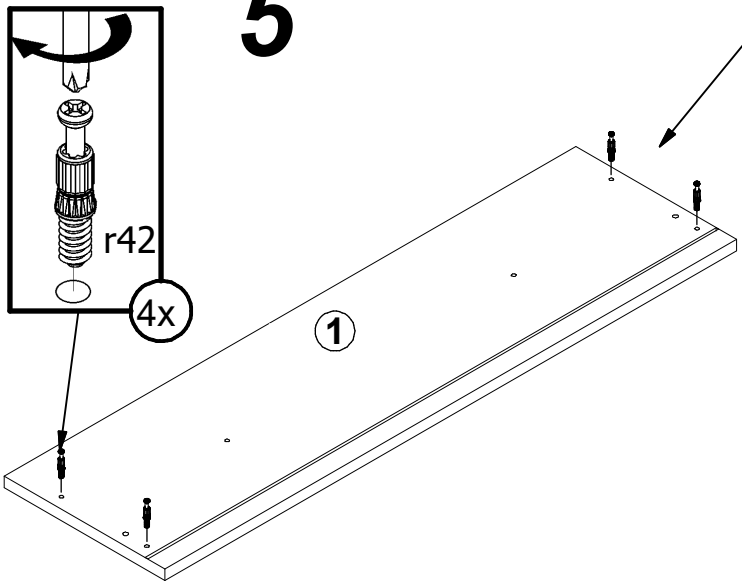
4



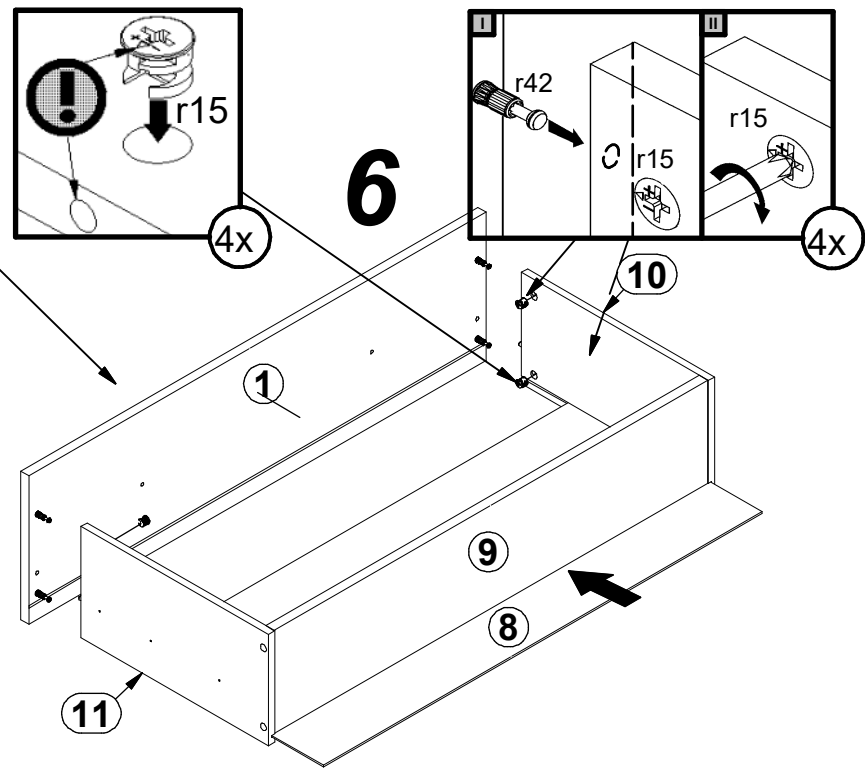
4x

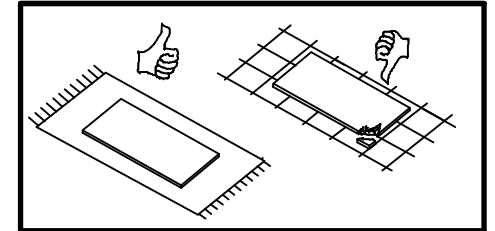
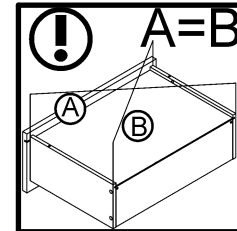
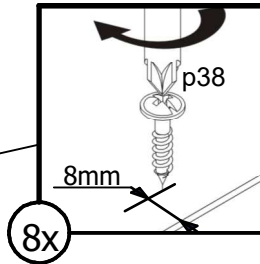
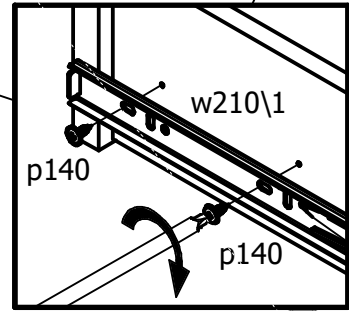
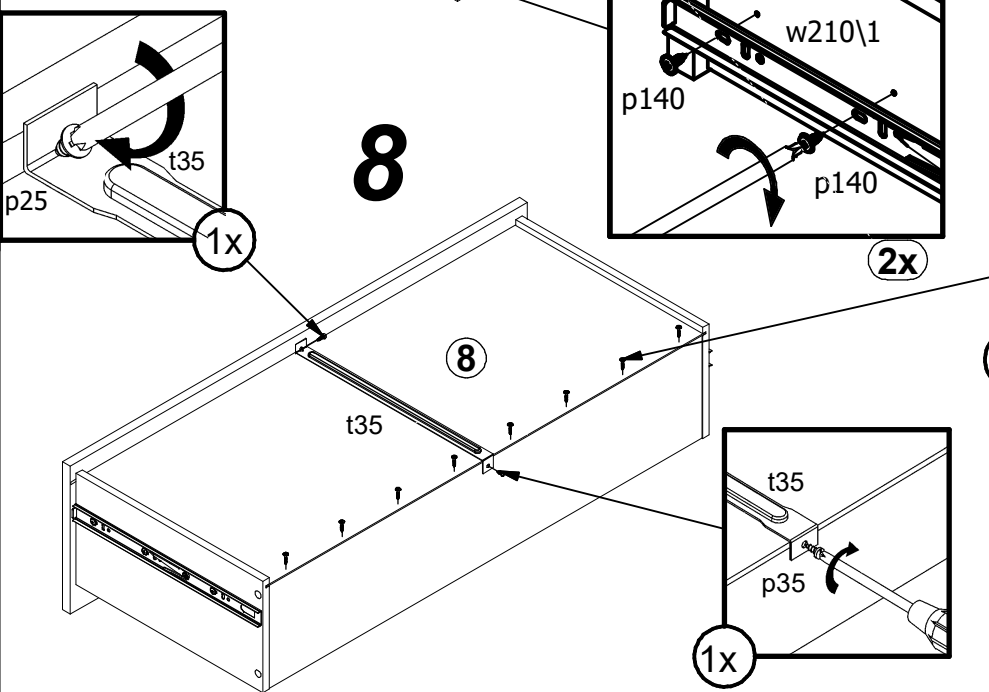
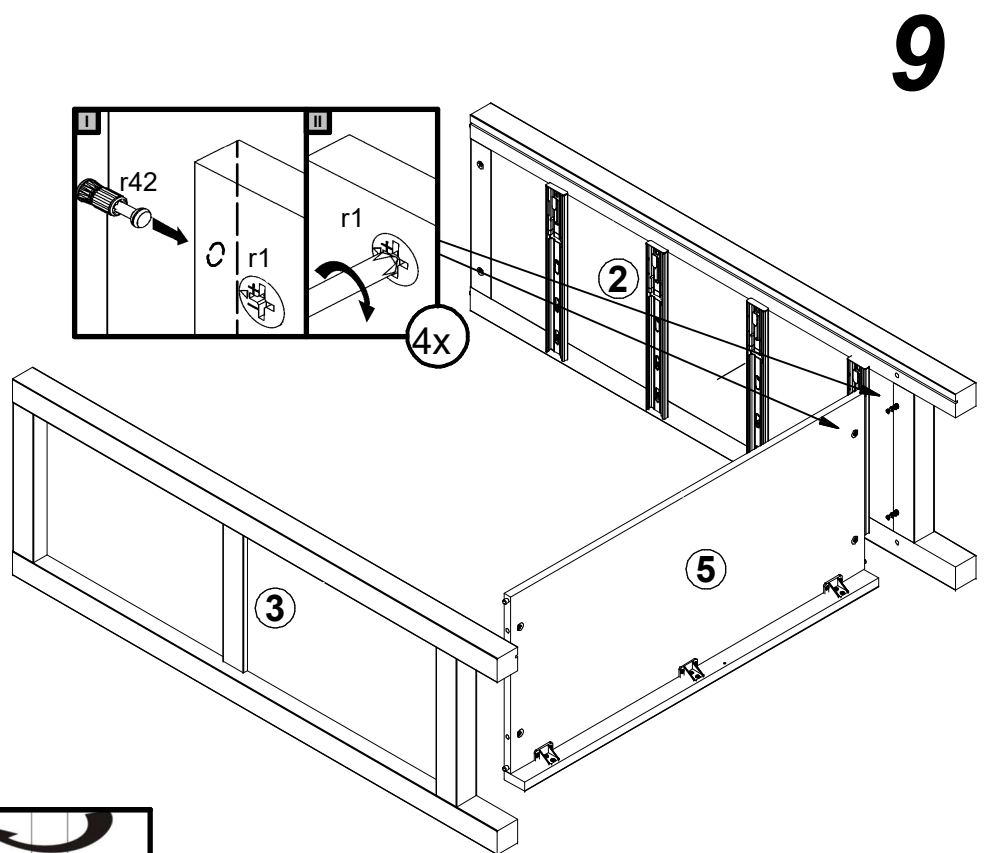
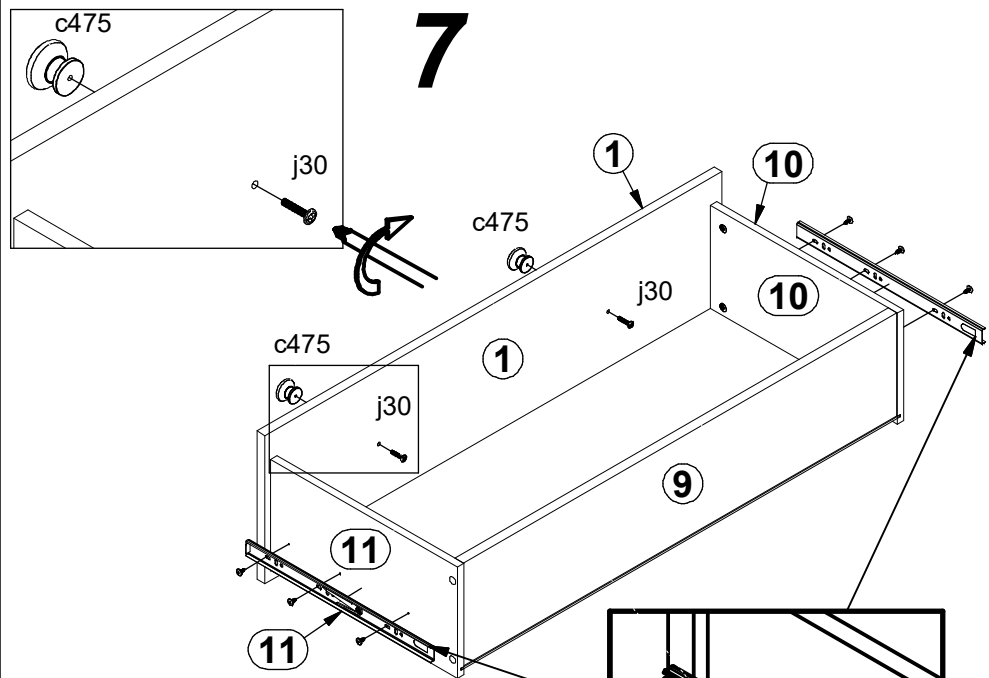


5

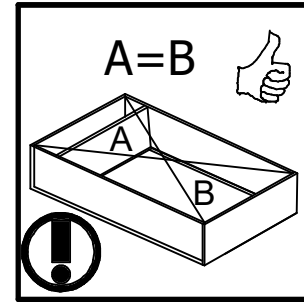
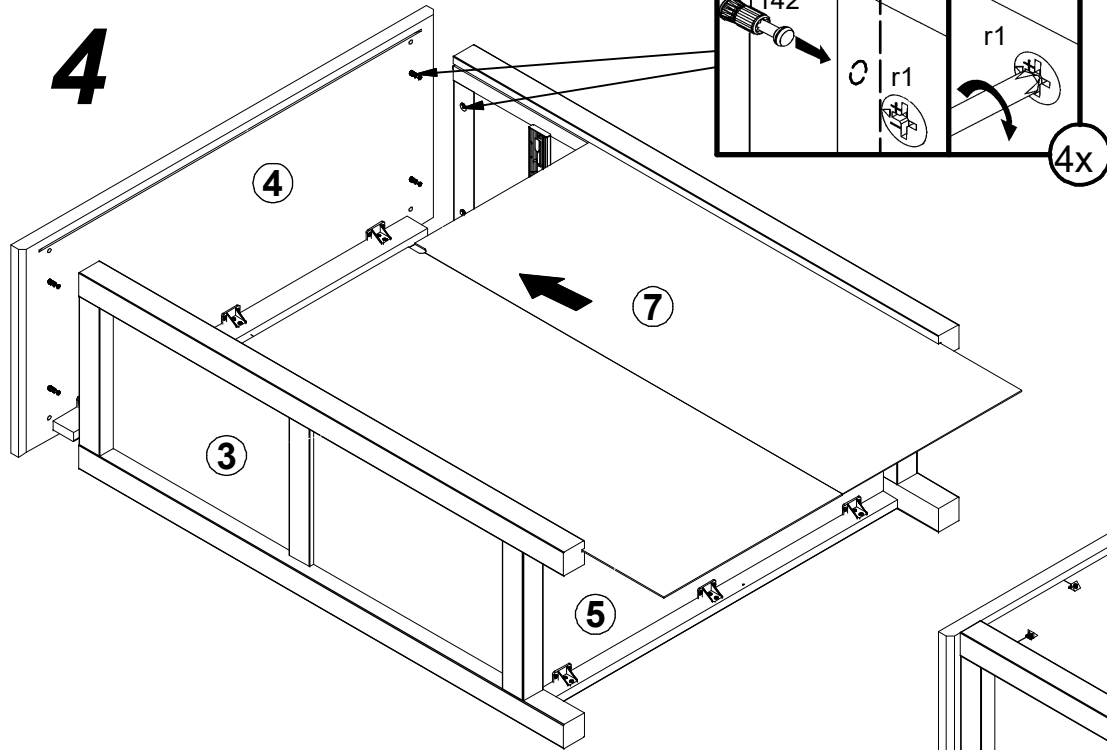


6

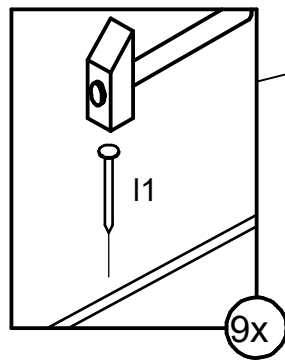
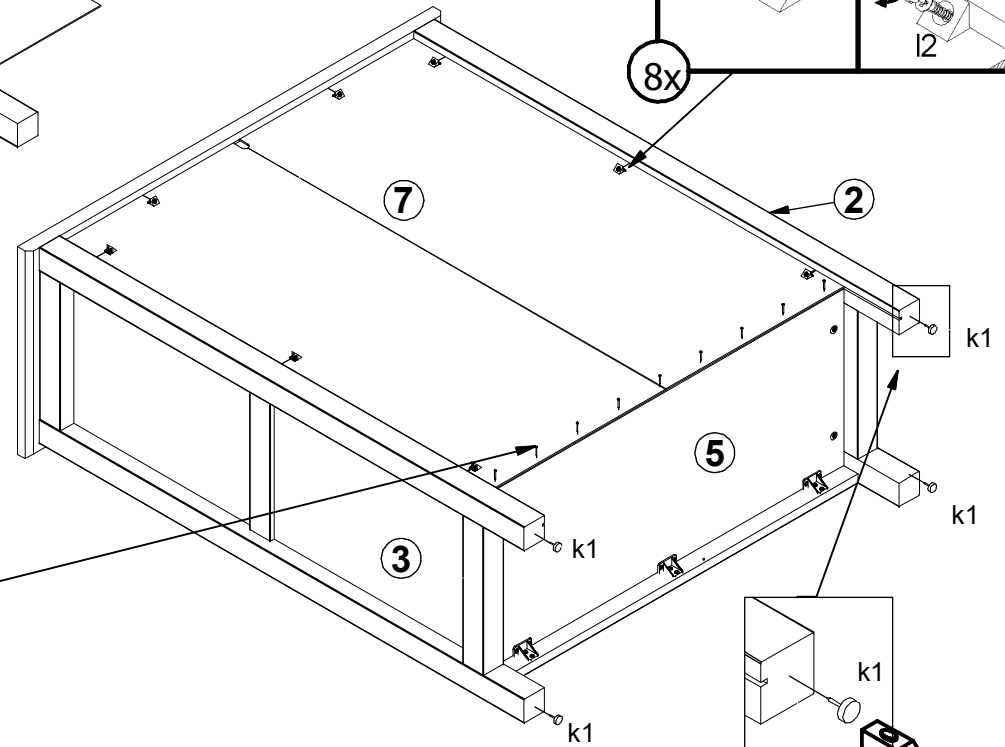
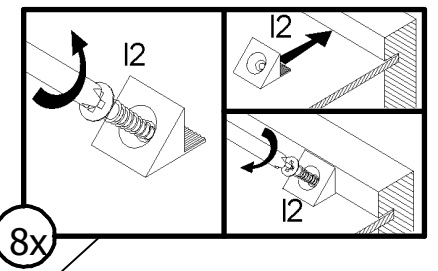


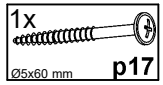
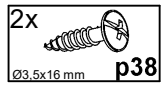
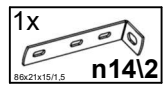
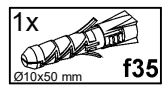
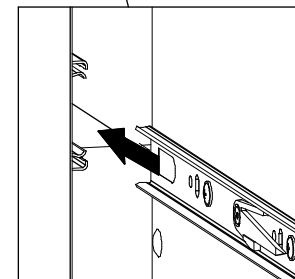
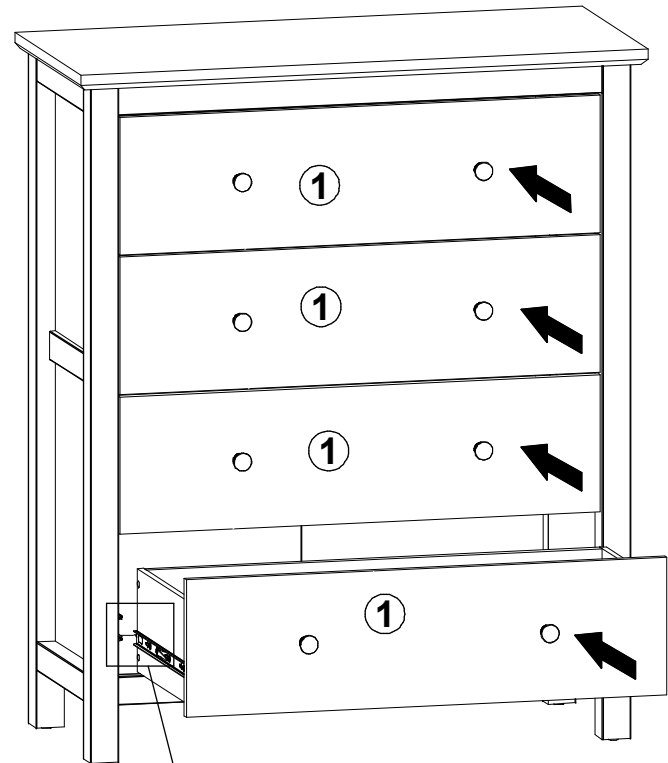
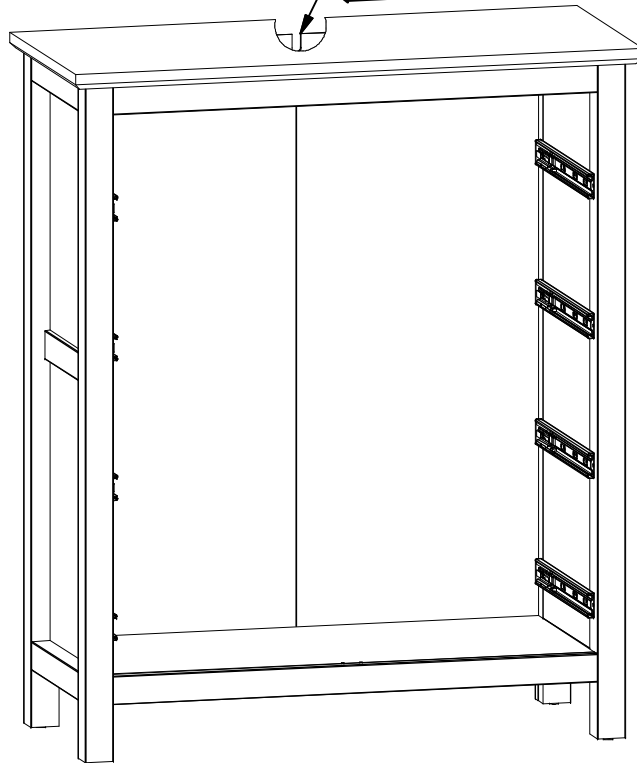
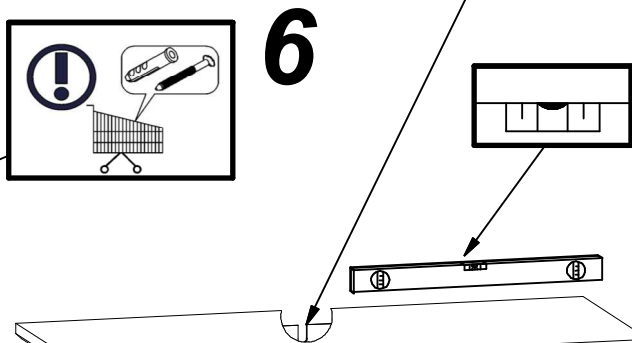
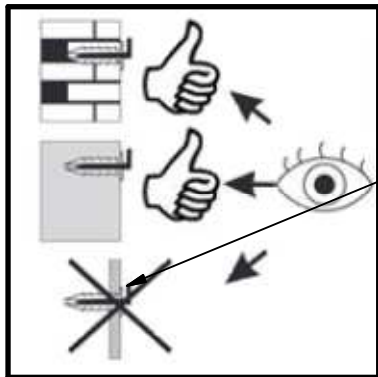
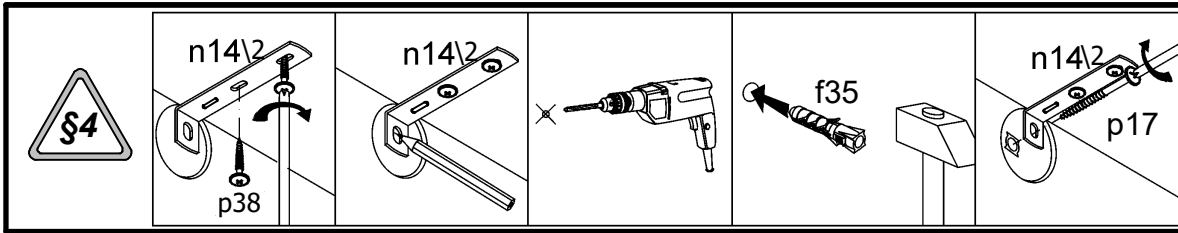


4



5







8

