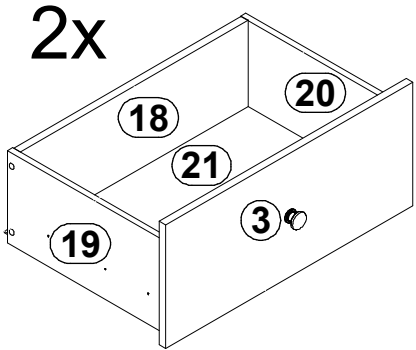


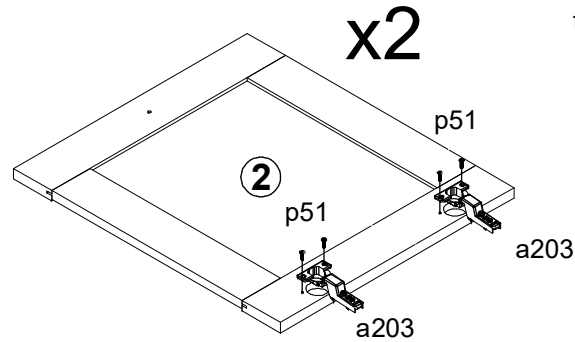
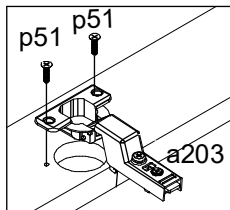
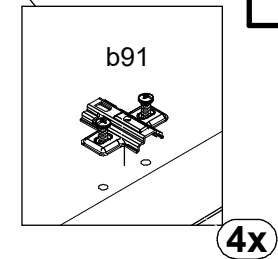
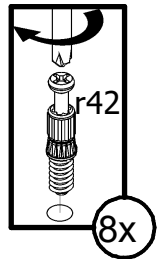
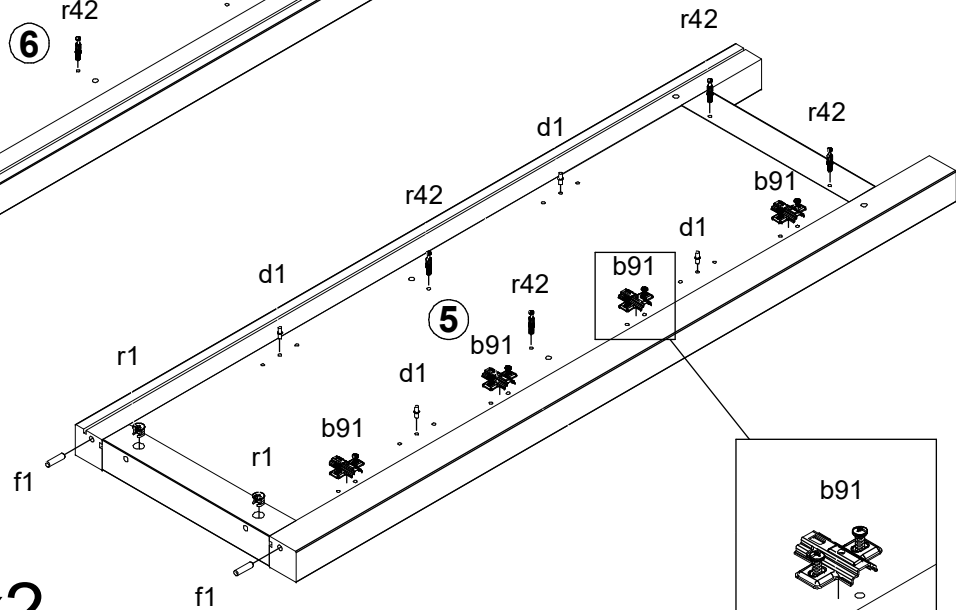
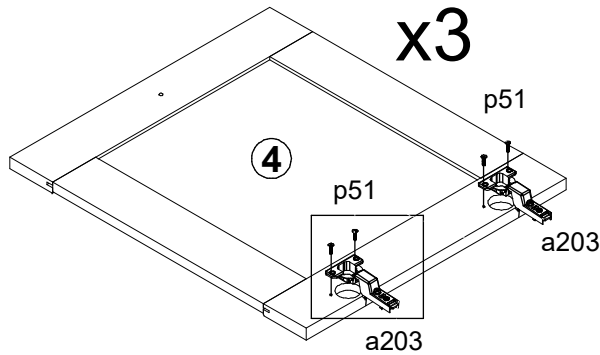
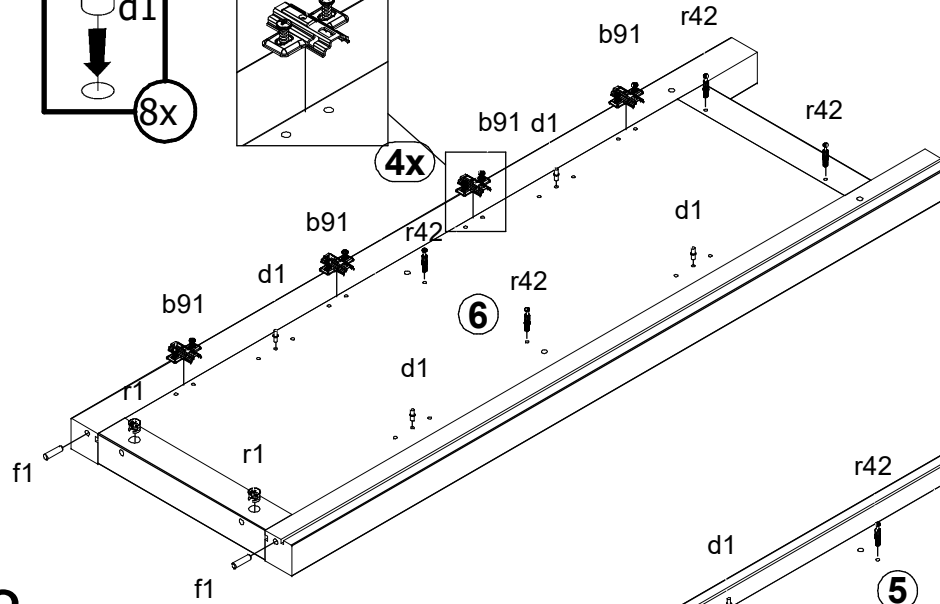
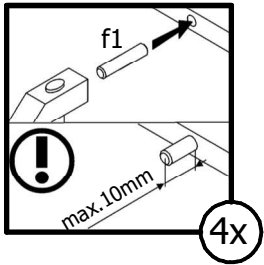
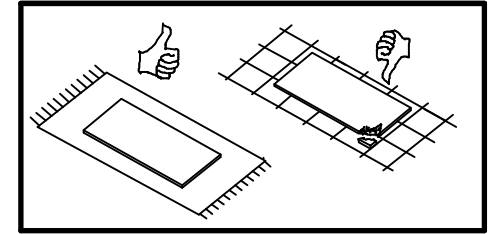
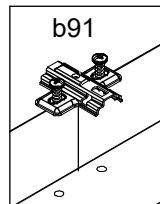
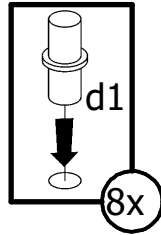
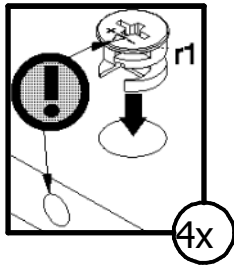
A	B1	B2	C1	C2	C3	D
1	S503-5005	-	134	50	50	2/4
2	S515-0004	-	486	555	19	3/4
3	S515-0005	-	555	240	15	3/4
4	S515-0016	-	486	555	19	3/4
5	S515-1031	A	1234	413	50	2/4
6	S515-1032	A	1234	413	50	2/4
7	S515-1033	A	1085	390	15	1/4
8	S515-1034	A	1085	390	15	1/4
9	S515-2009	A	1862	438	28	4/4
10	S515-3005	A	560	362	15	1/4
11	S515-3006	A	561	370	15	2/4
12	S515-3020	A	1713	372	15	4/4
13	S515-5203	-	561	50	19	3/4
14	S515-5207	-	1713	50	19	4/4
15	S515-9013	-	1103	574	2,5	3/4
16	S515-9014	-	1103	575	2,5	3/4
17	S515-9015	-	1103	574	2,5	3/4
18	ZK3-5074	-	511	167	15	2/4
19	ZK4-503	-	350	180	12	1/4
20	ZK4-504	-	350	180	12	1/4
21	WSP-9560	B	522	358	2,5	3/4

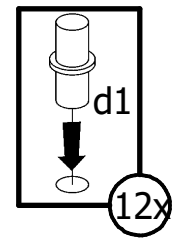
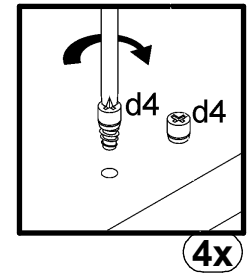
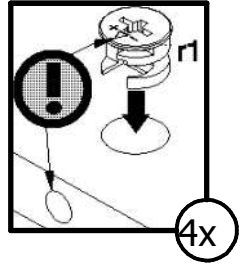
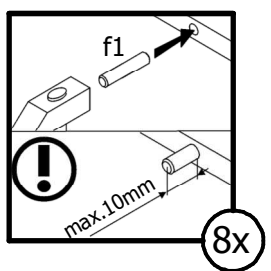
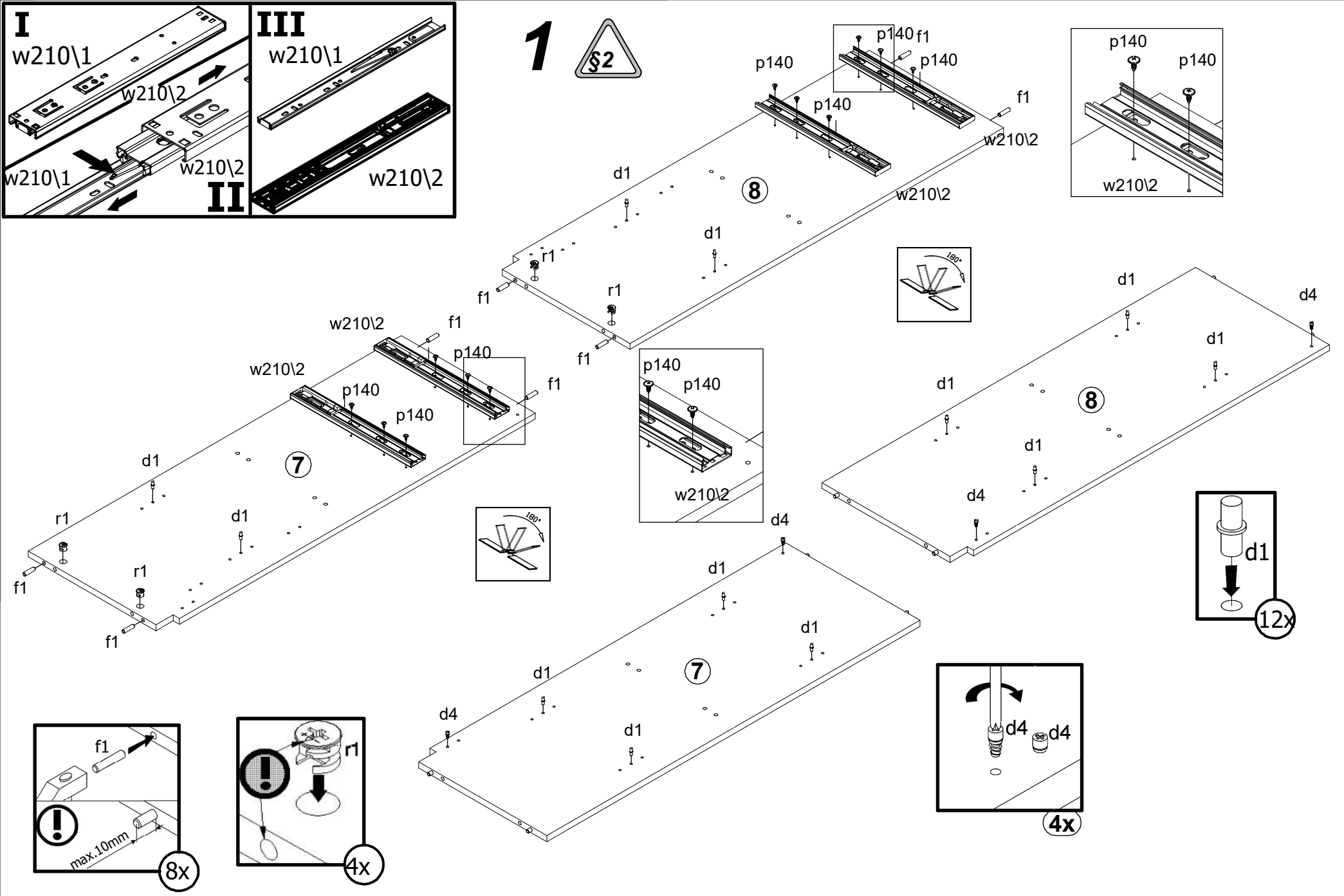
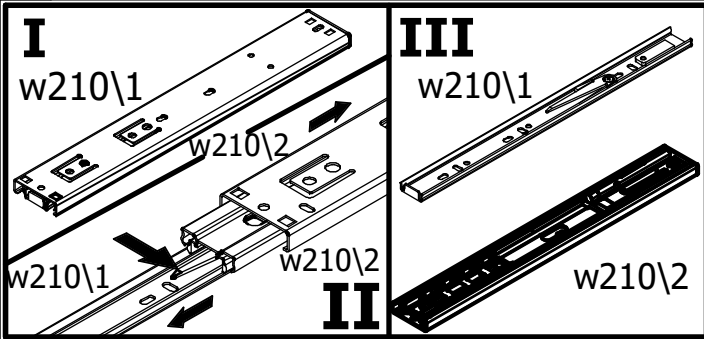


1x z1	10x Ø2,9x16 mm p55	10x 20x13x3,5 n108	12x d41/2
3x d-16 mm o114	10x b91	10x k16; Ø35 a203	5x M4x25 mm j8
2x M4x22 mm j30	2x 350 mm t35	20x Ø5x17 mm d1	6x k1
2x Ø3,5x16 mm p25	4x Ø8x50 mm f6	7x c475	34x l1
1x 6W Ø60 3 4	4x w210/1	9x l2	56x Ø3,5x16 mm p38
2x Ø3,5x10 mm p35	4x r10	5x Ø6,3x15 mm d4	20x Ø3,5x15 mm p51
4x f9	4x w210/2	6x Ø7x50 mm e1	24x Ø15x12 mm #16 r1
4x r10	4x f9	8x Ø6,5x40 mm f25	24x 20/11 r42
2x f35	2x p17	8x r15	8x f1
2x p38	4x p38	20x f1	24x Ø3,5x12 mm p140
2x n14/2			

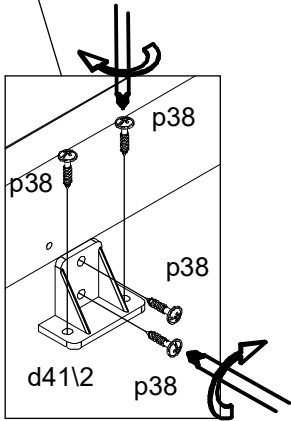
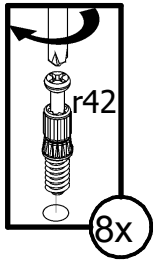
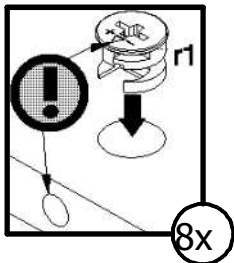
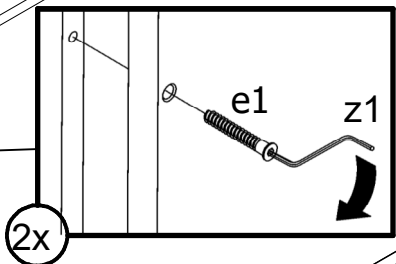
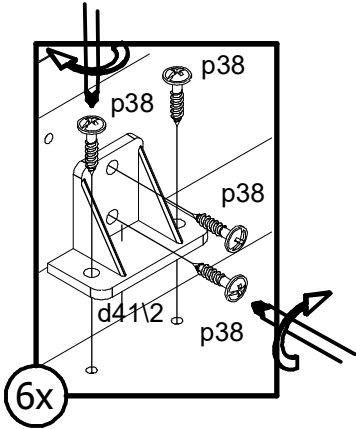
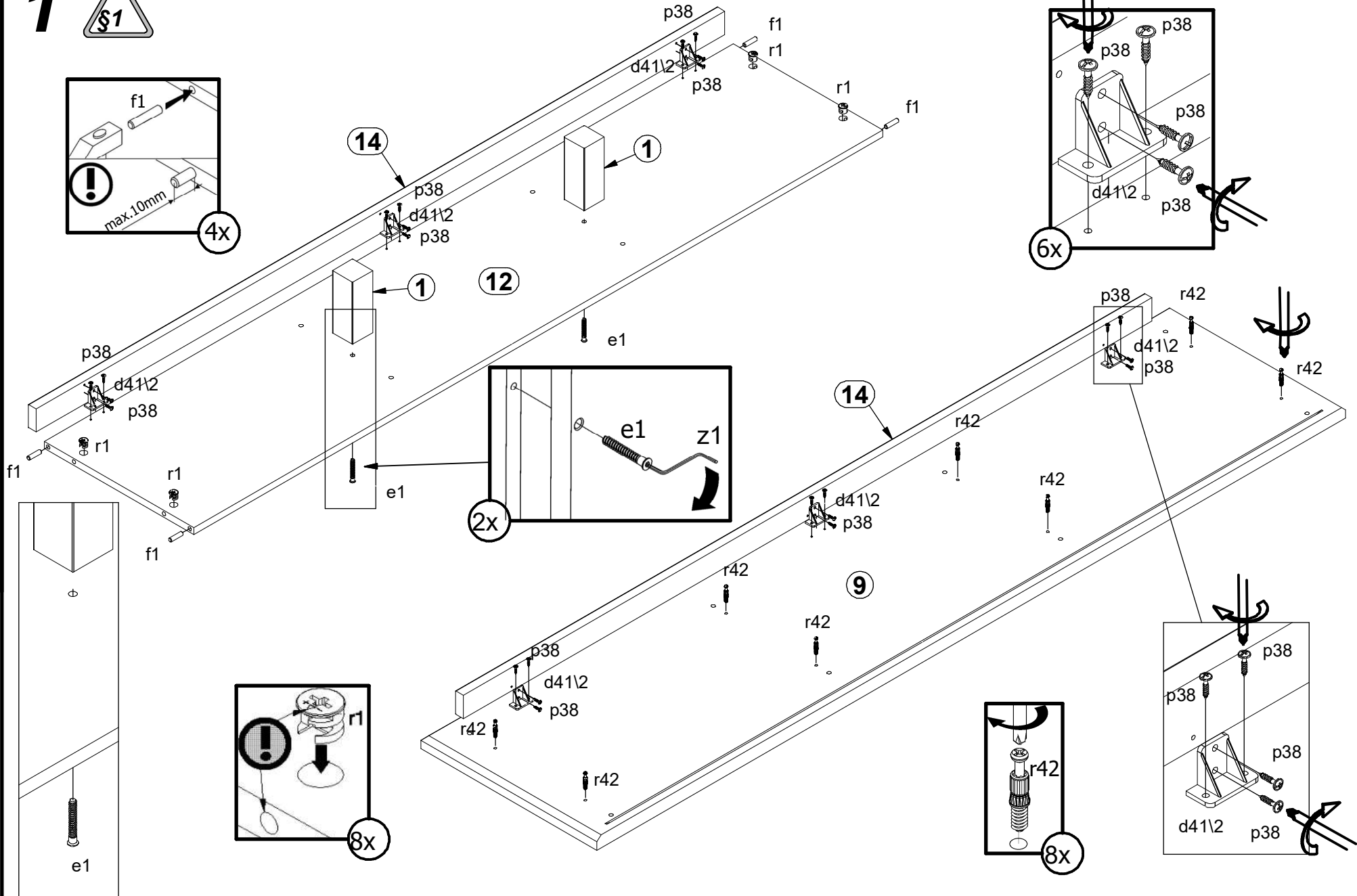
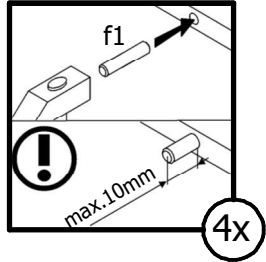


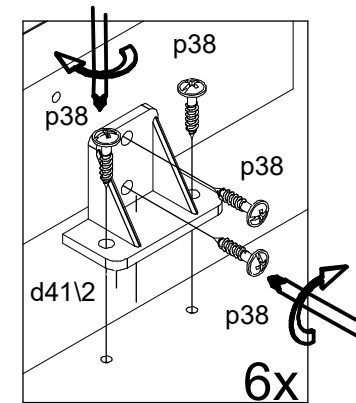
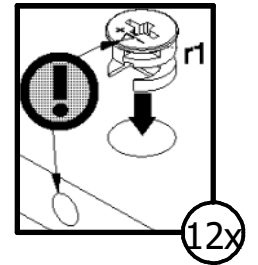
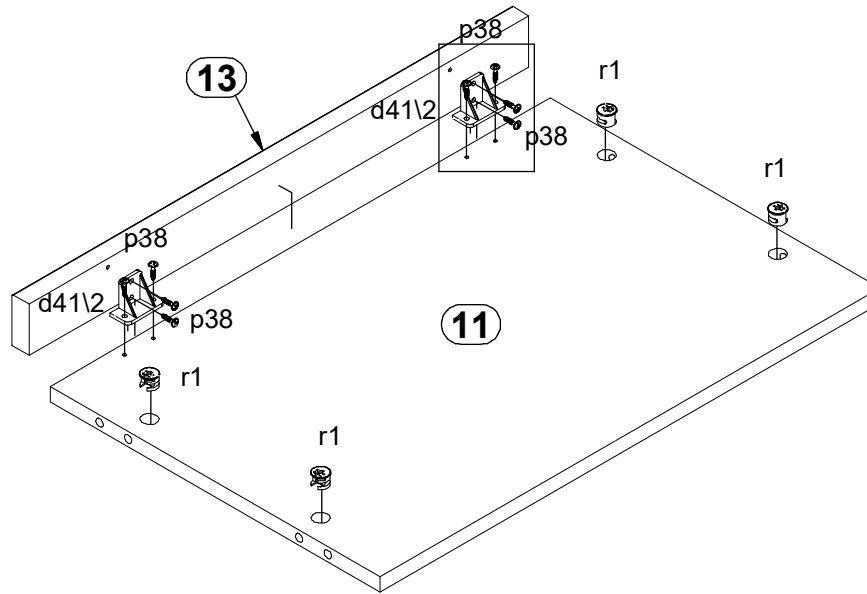
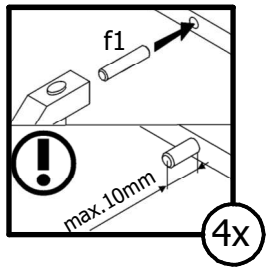
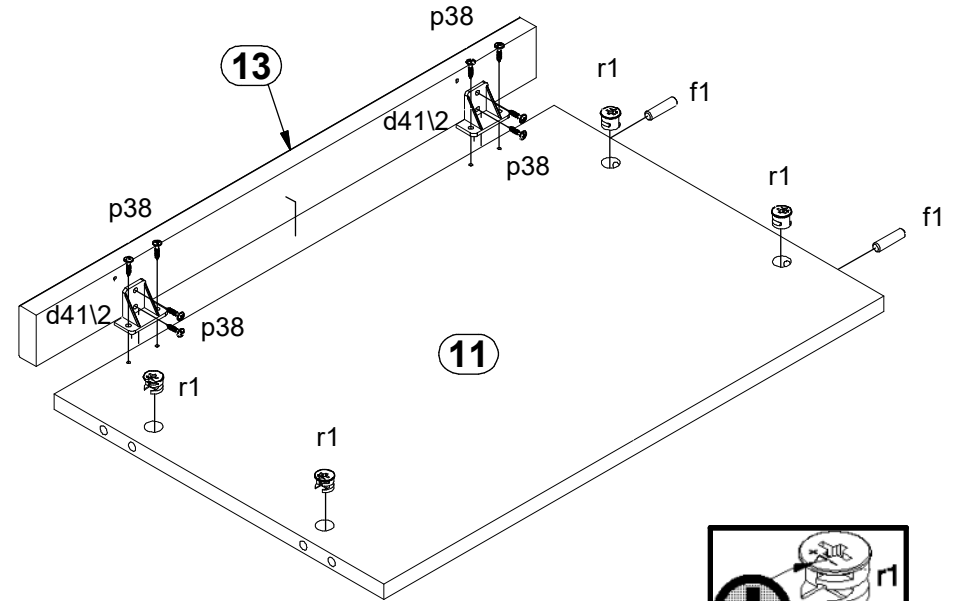
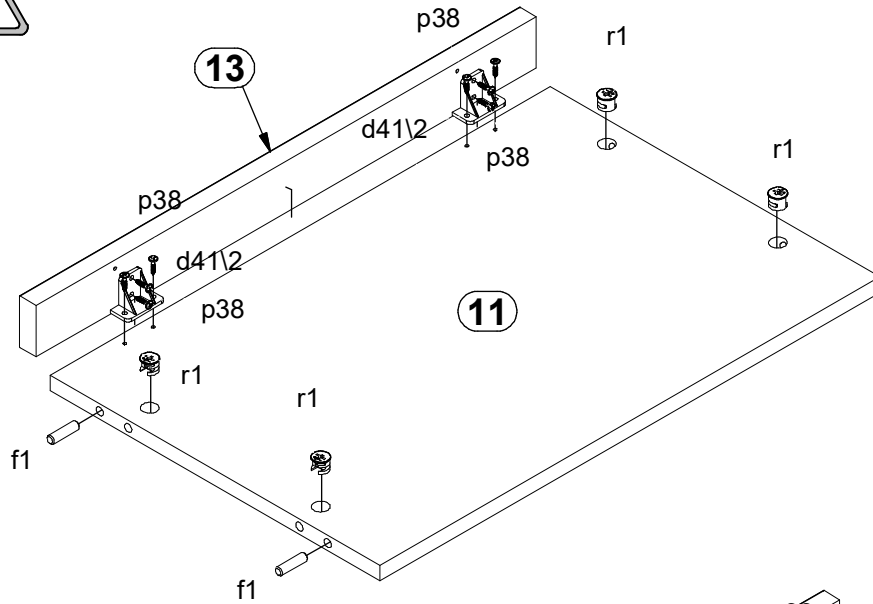
1 §1

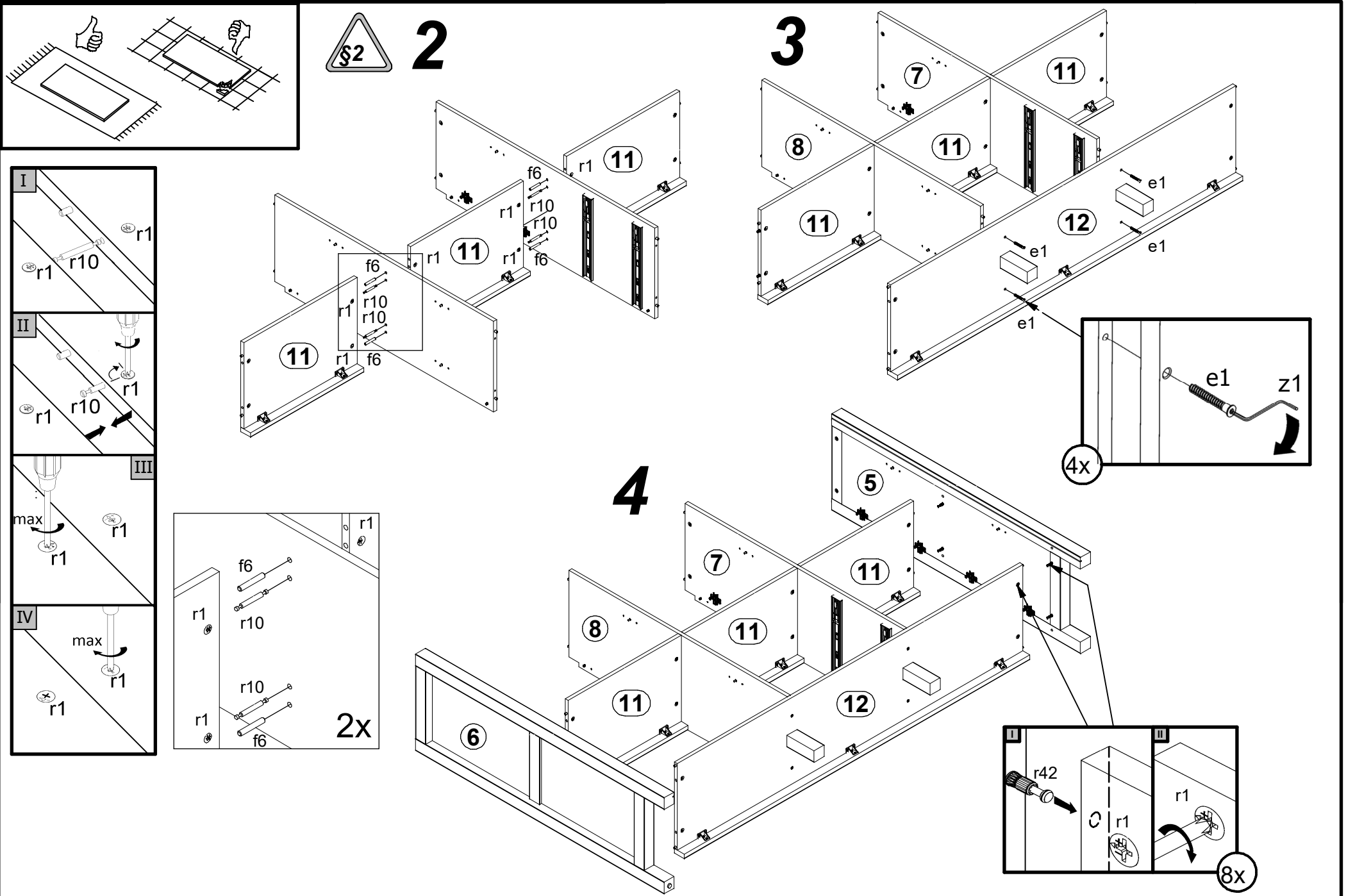




1 

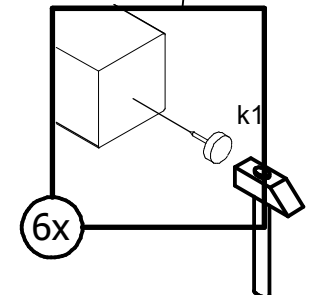
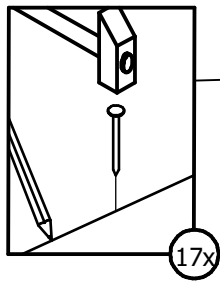
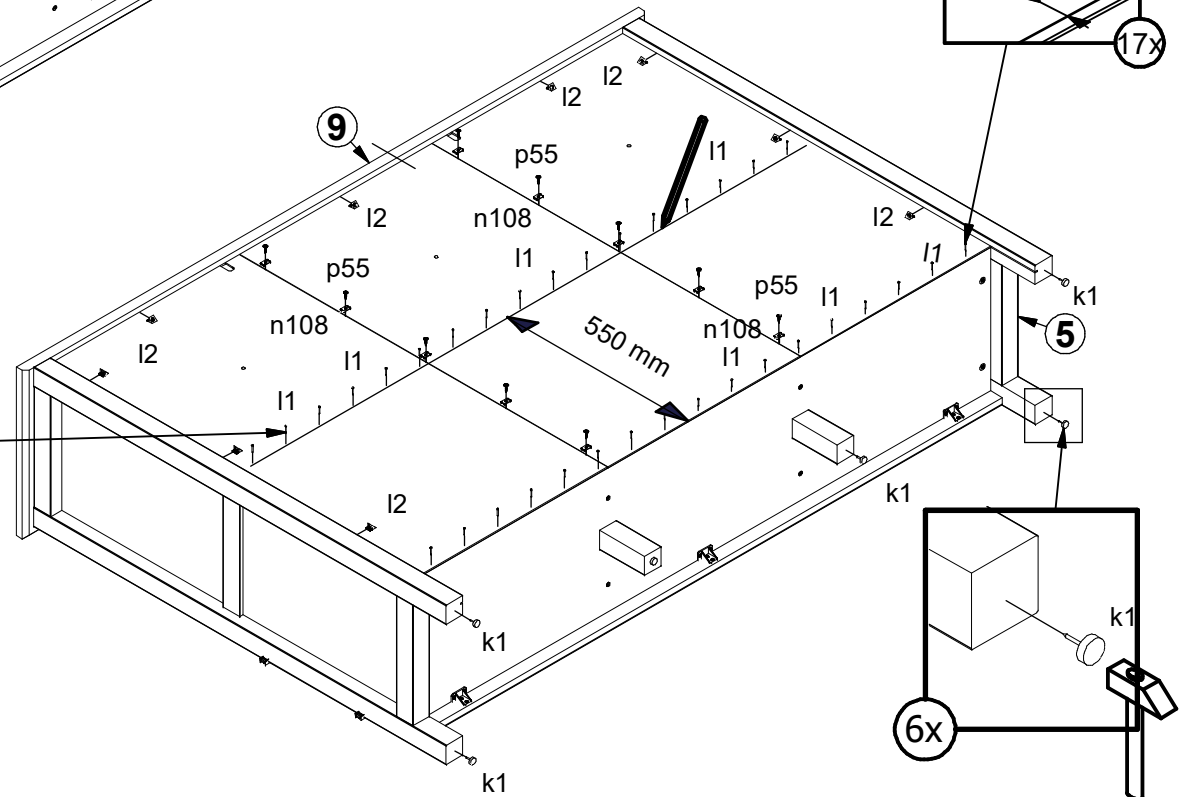
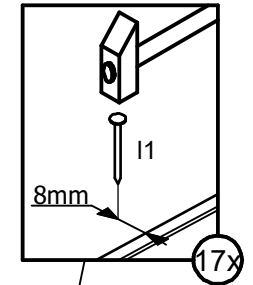
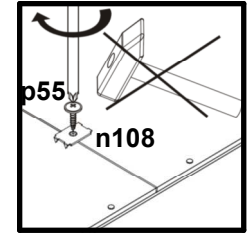
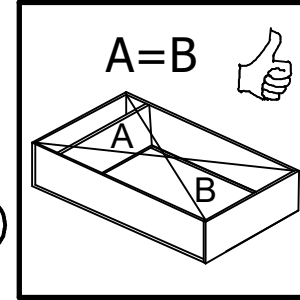
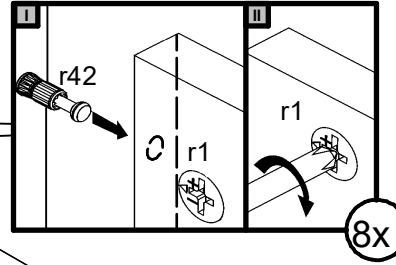
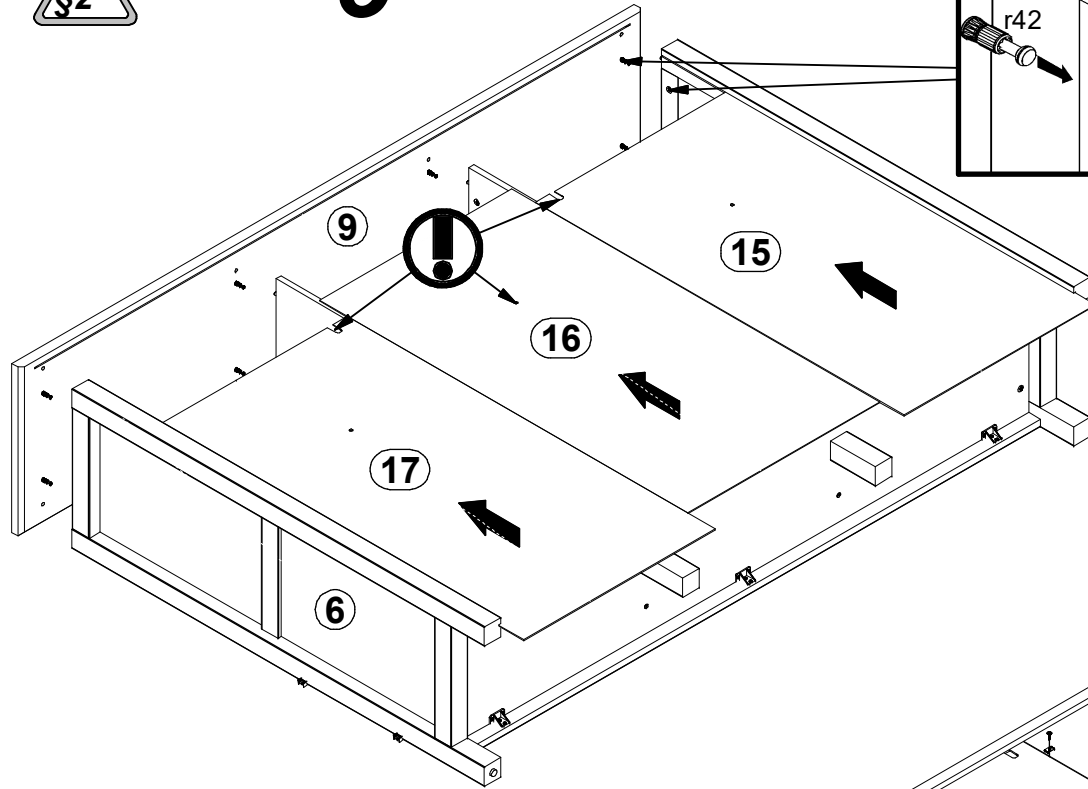


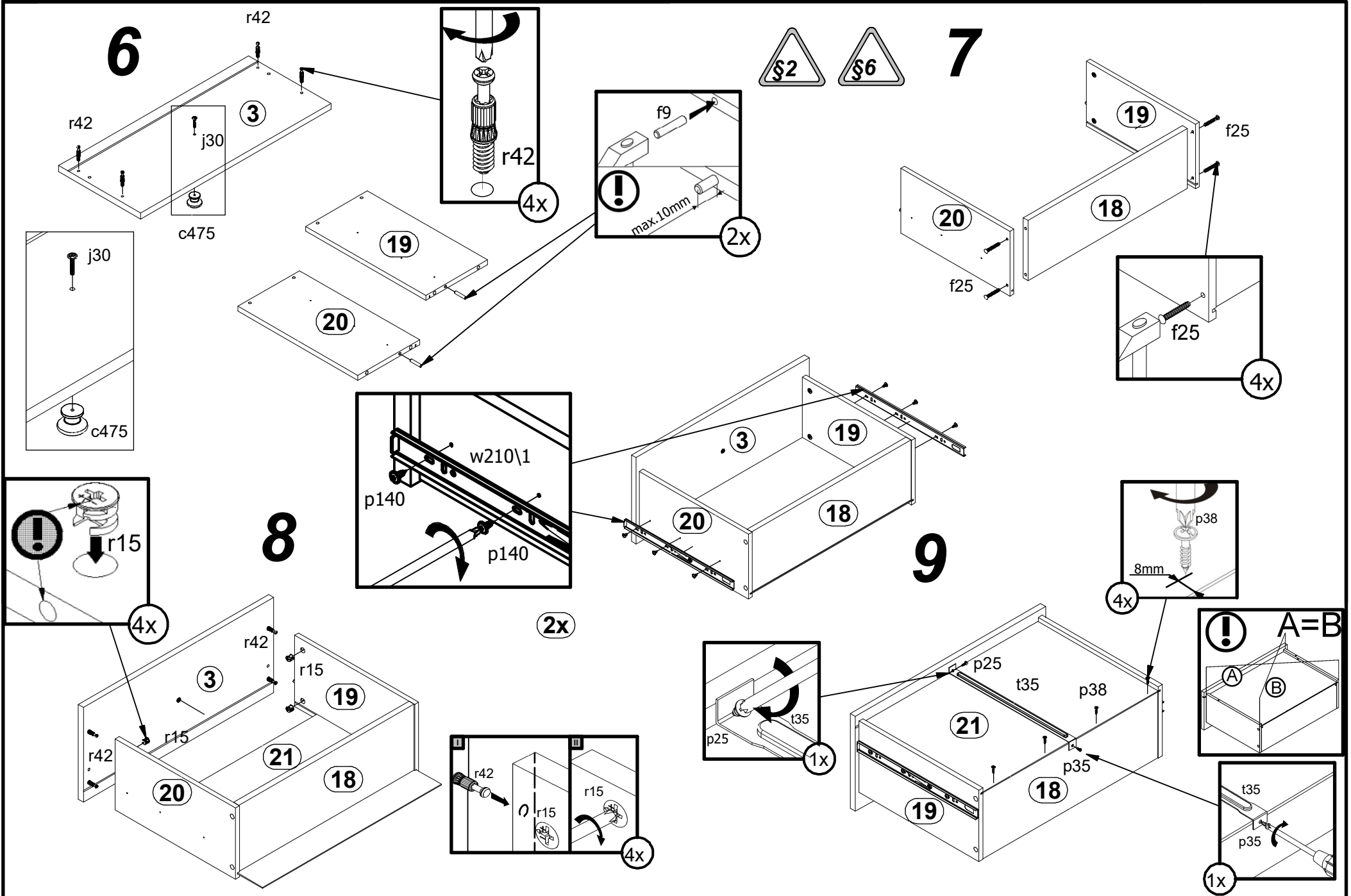




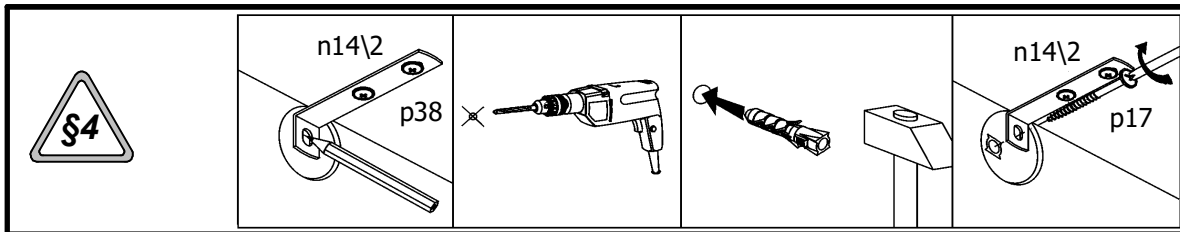
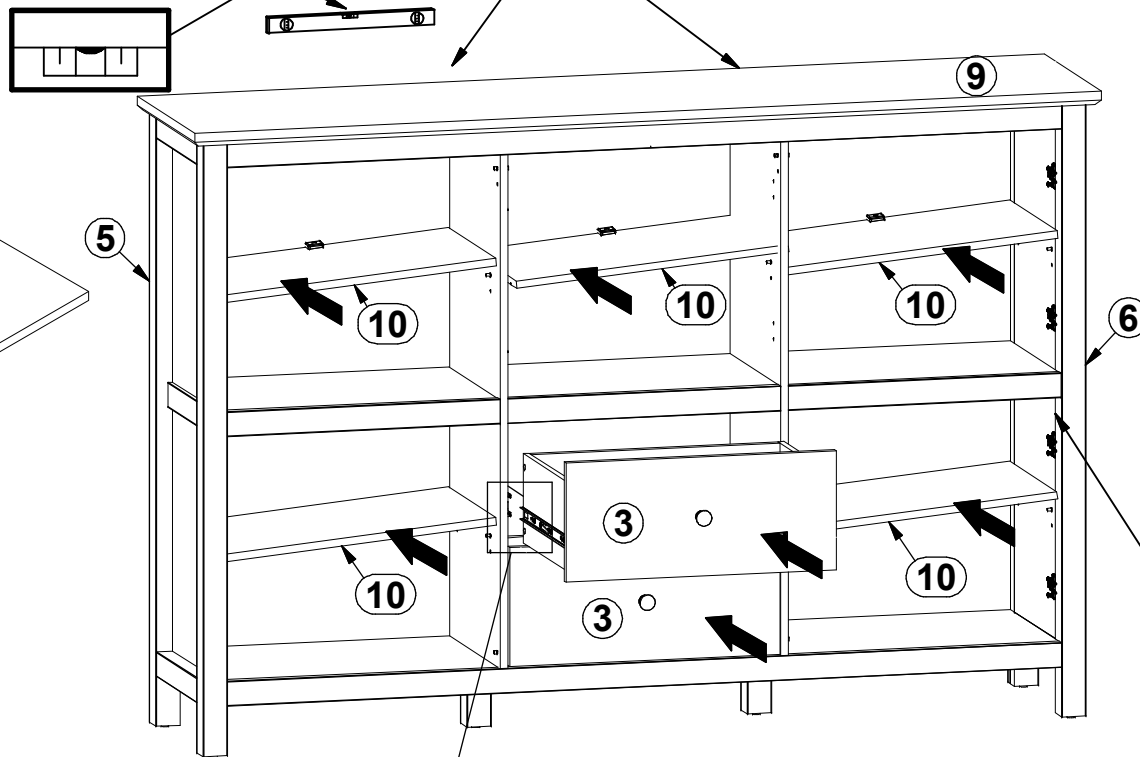
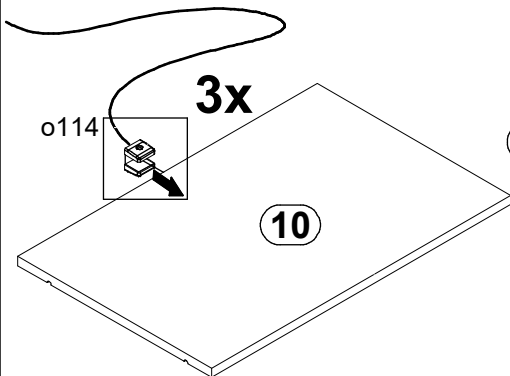
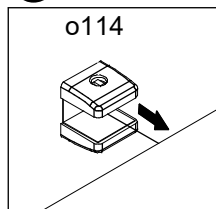


5

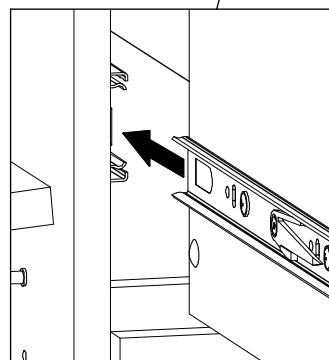
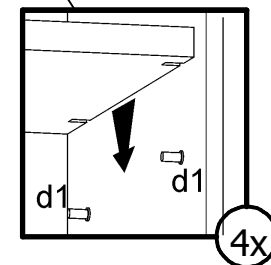
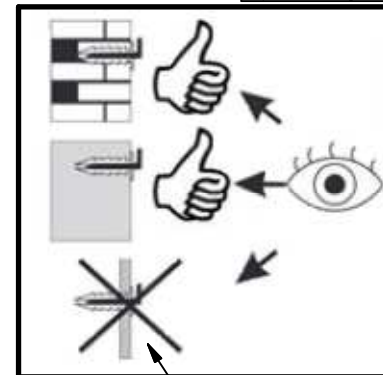


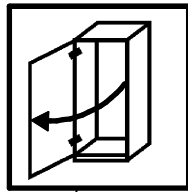


10

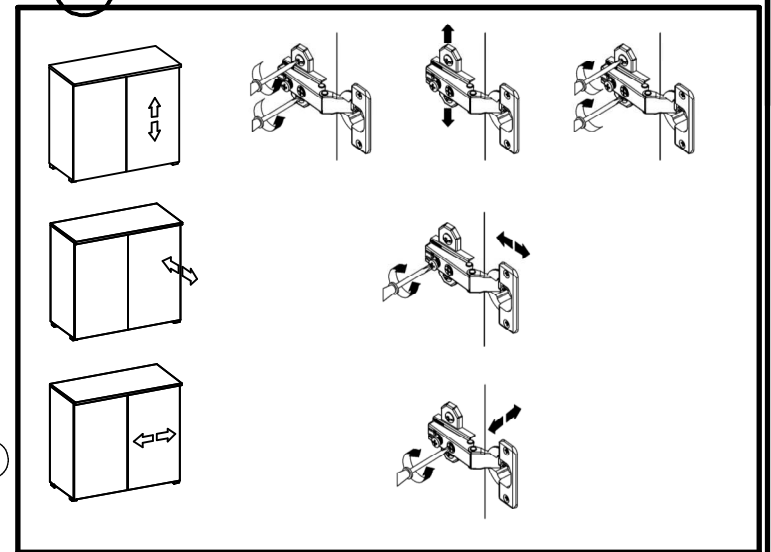
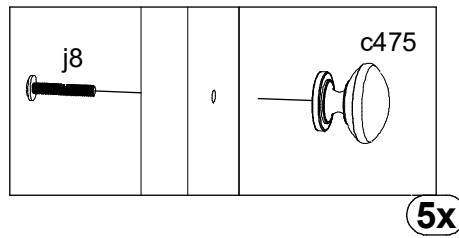
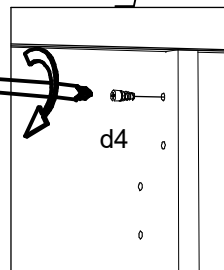
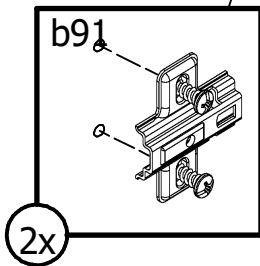
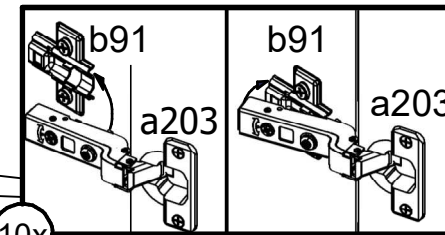
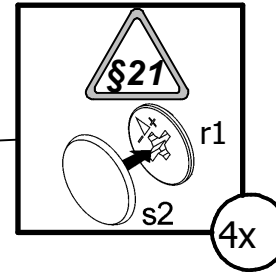
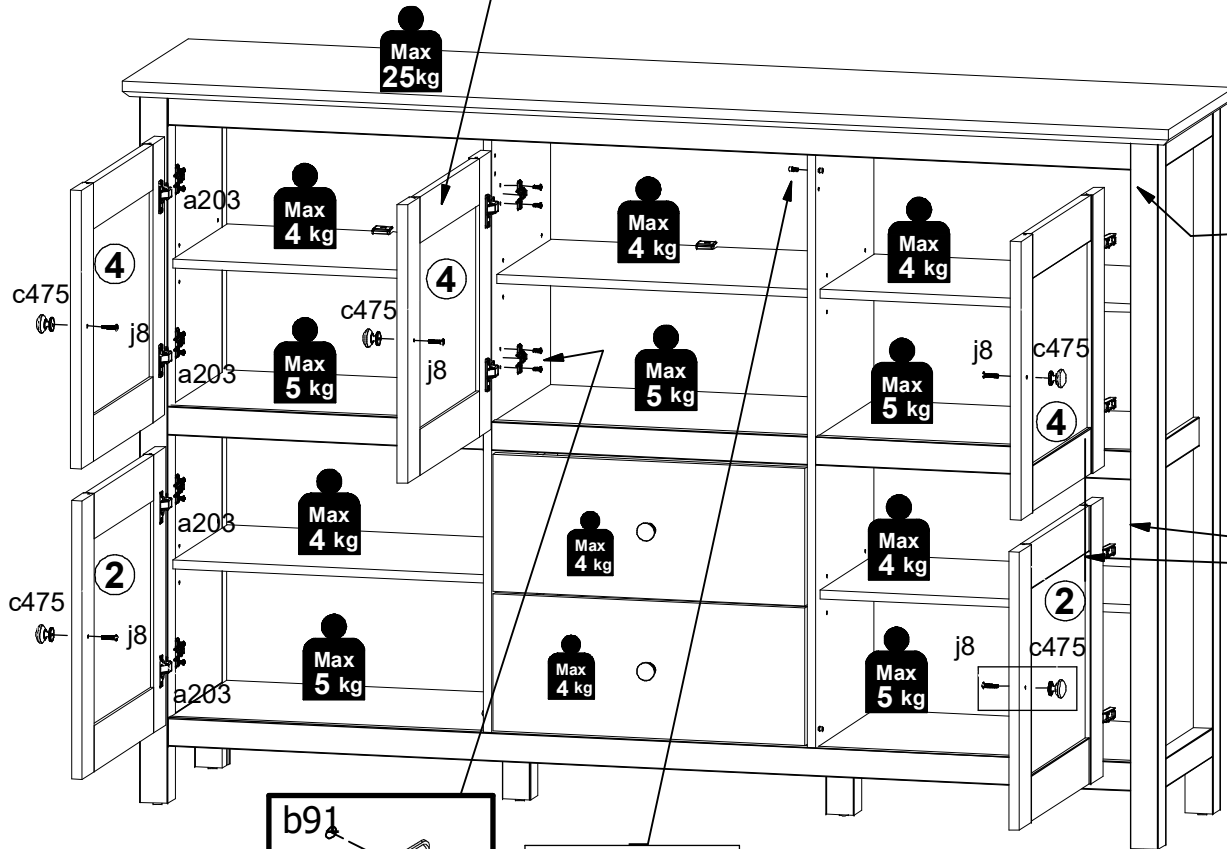


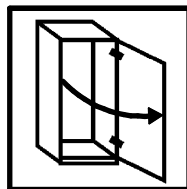
- 2x f35
Ø10x50 mm
- 2x n14\2
88x21x15/1.5
- 2x p17
Ø5x60 mm
- 4x p38
Ø3.5x16 mm





11





11

