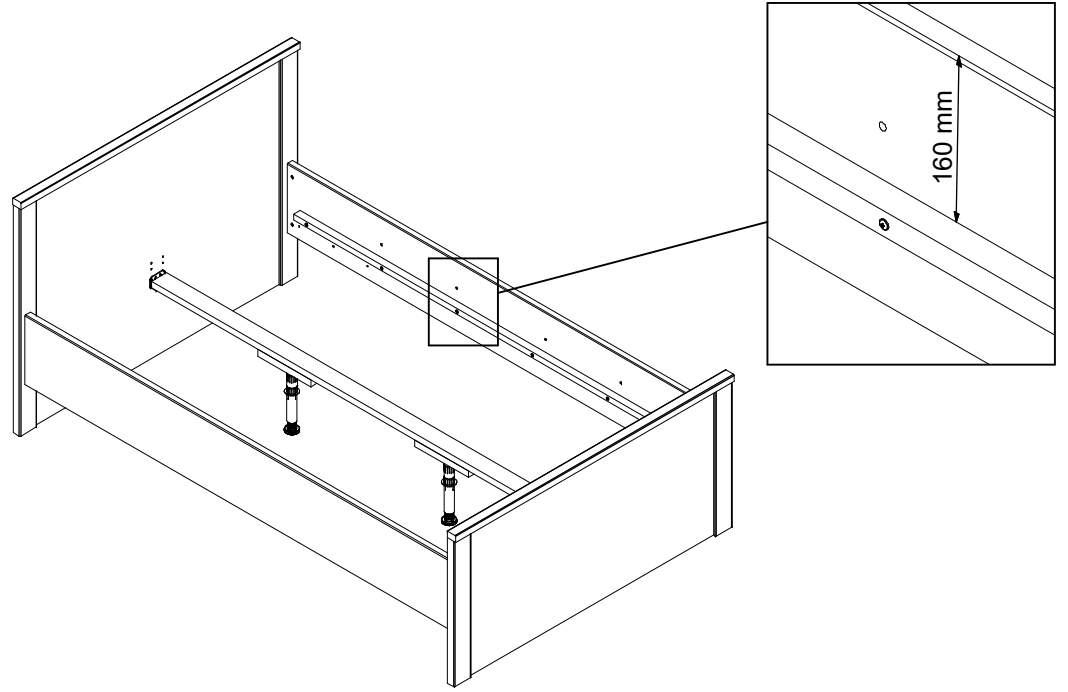
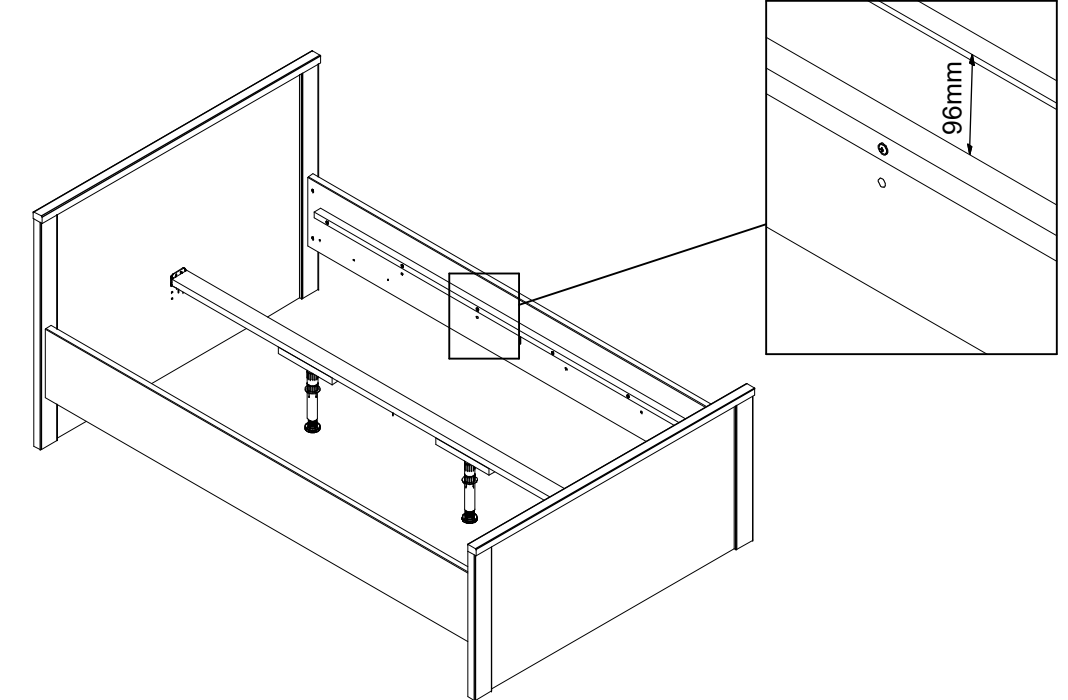


**A**

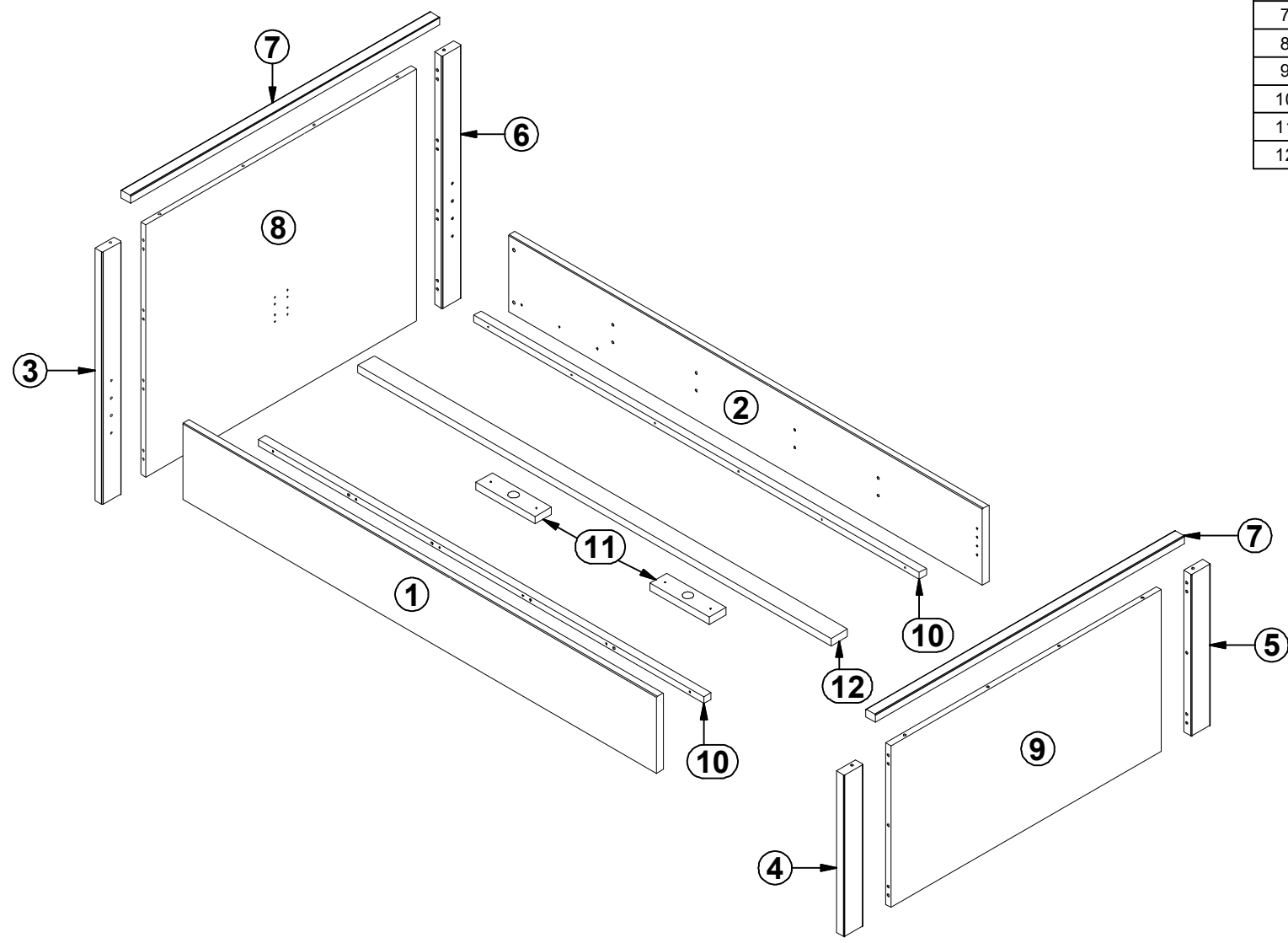


**B**



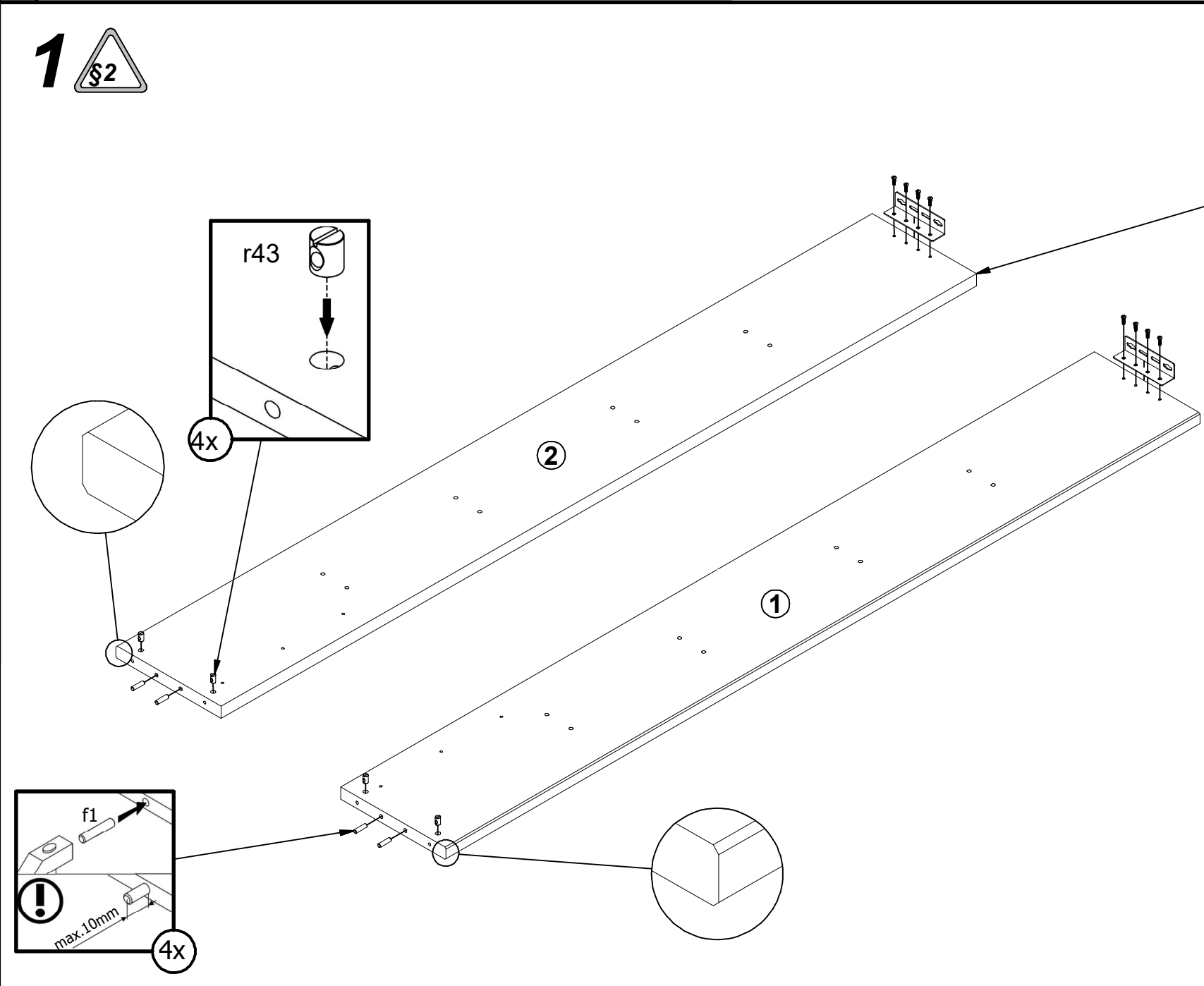
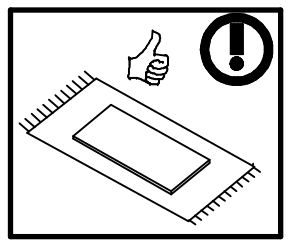
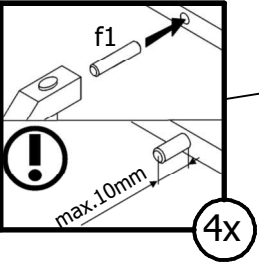
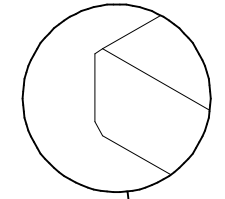
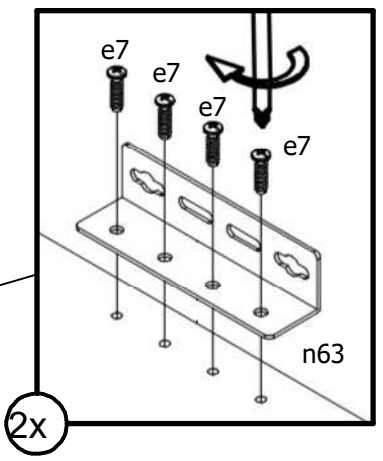
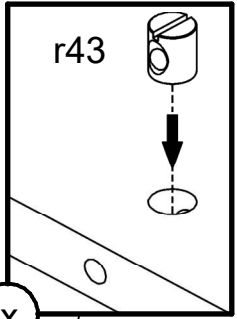


A	B	W	C1	C2	C3	D
1	S515-1053	-	2000	280	28	1/2
2	S515-1054	-	2000	280	28	1/2
3	S515-5001	-	922	80	32	1/2
4	S515-5002	-	590	80	32	1/2
5	S515-5004	-	590	80	32	1/2
6	S515-5005	-	922	80	32	1/2
7	S515-5006	-	1304	40	28	1/2
8	S515-7039	-	1142	922	22	2/2
9	S515-7040	-	1142	590	22	2/2
10	ZZ1-757		1880	25	30	1/2
11	ZZ1-759-01	-.4	250	70	27	1/2
12	ZZ1-771		1997	70	27	1/2

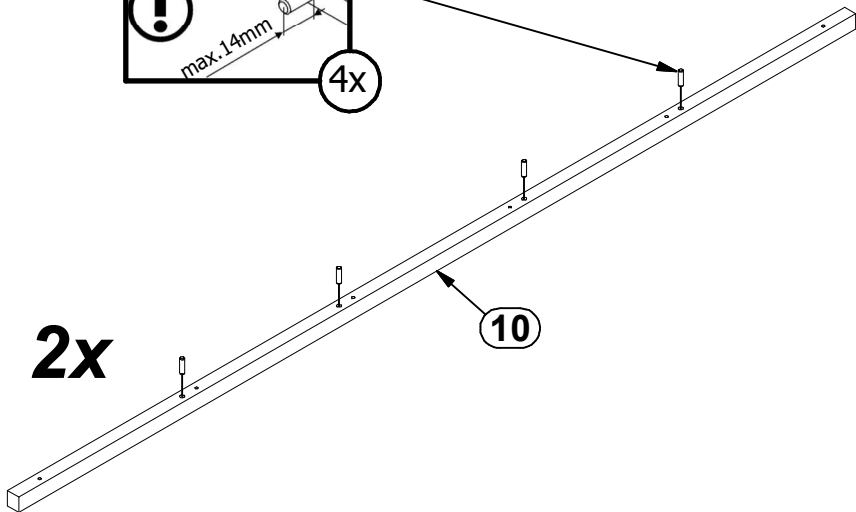
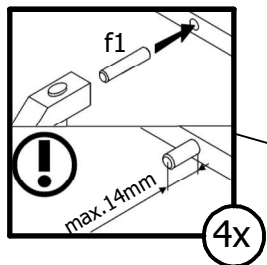


8x Ø6x13 mm e3	16x Ø6.3x16 mm e7	16x Ø8x30 mm f1
12x Ø8x50 mm f6	4x M6x70mm j171	4x k1
2x k24/2	2x k24/3	4x k24/4
2x n34/1	2x n34/2	2x 130x34x34/2 mm n63
16x Ø4x50 mm p12	6x Ø3.5x25 mm p16	36x Ø15x12 mm #16 r1
14x r10	8x 20/11 r42	4x Ø10x16 mm r43
12x Ø20mm s68	1x z1	

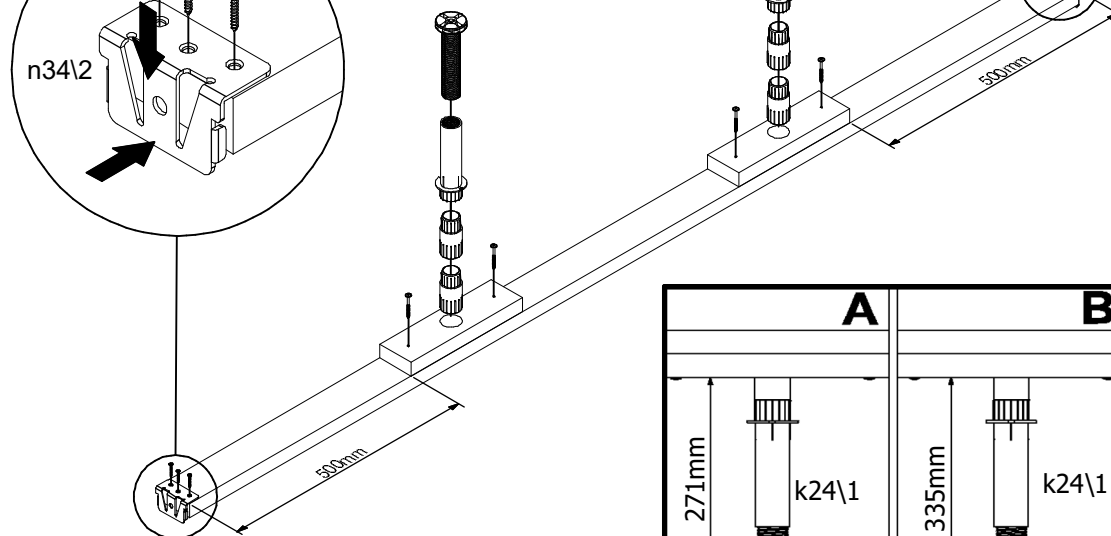
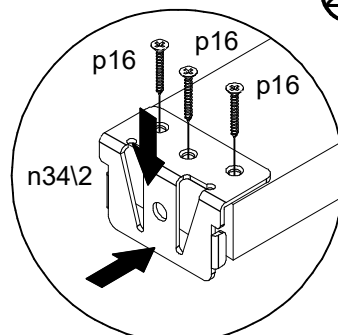
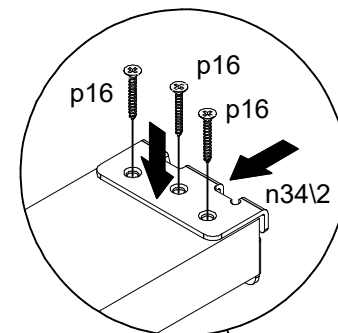
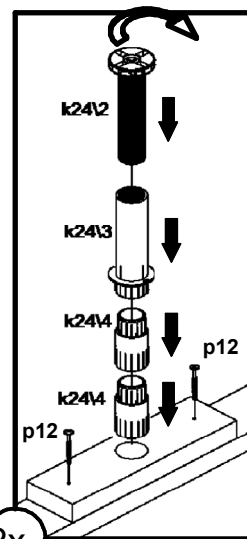
1 



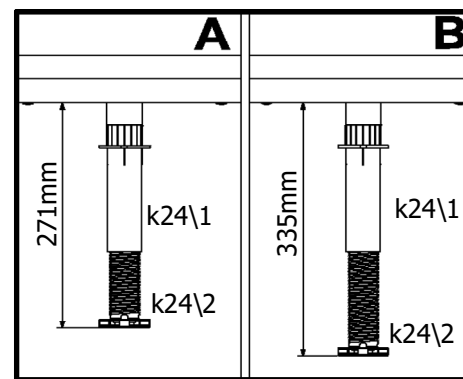
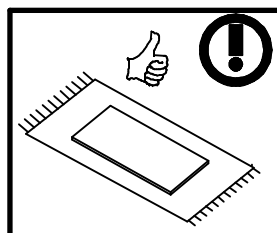
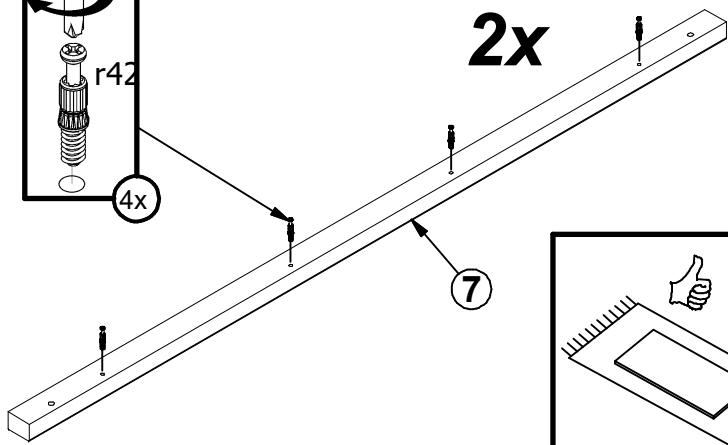
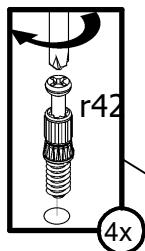
2

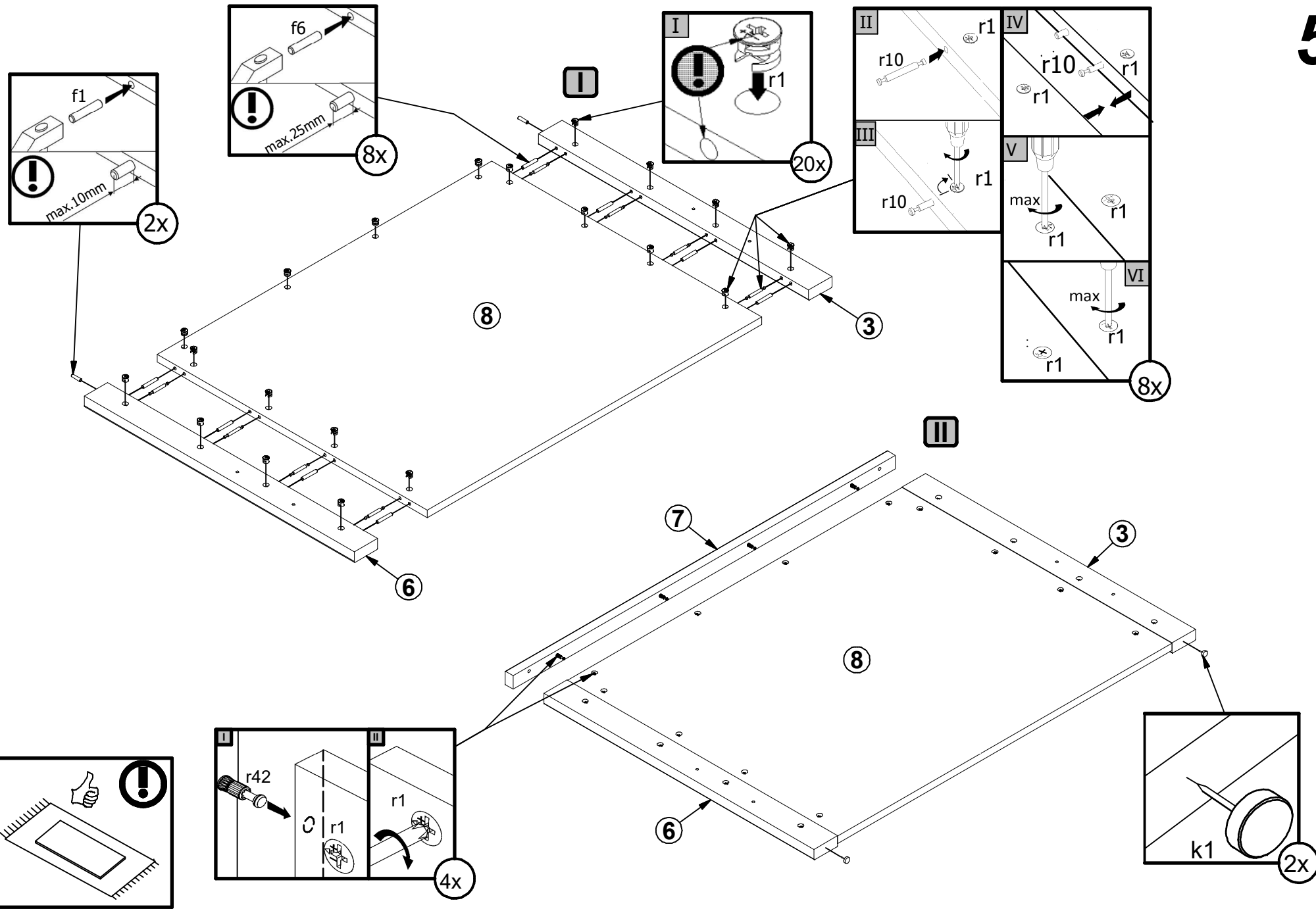


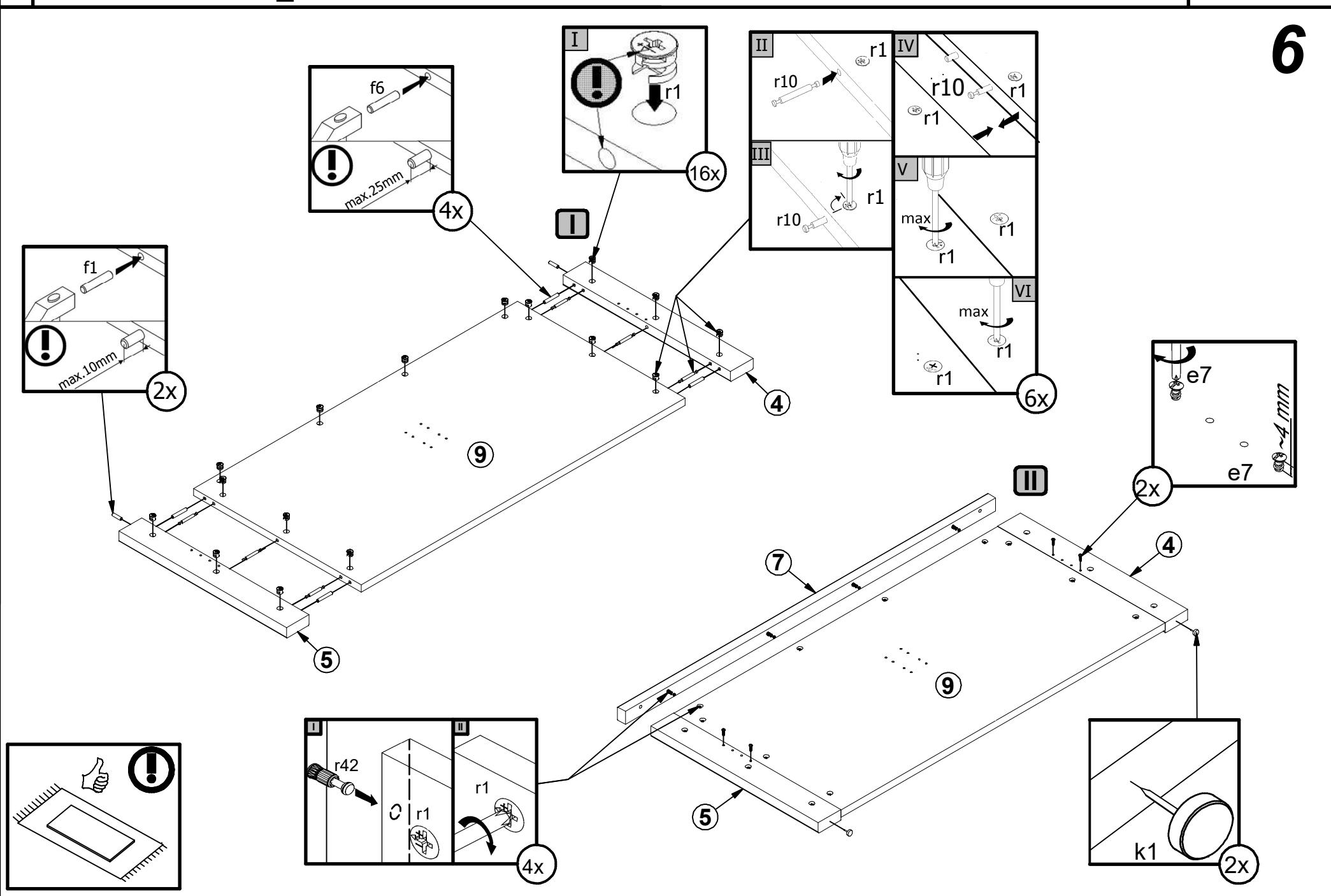
4

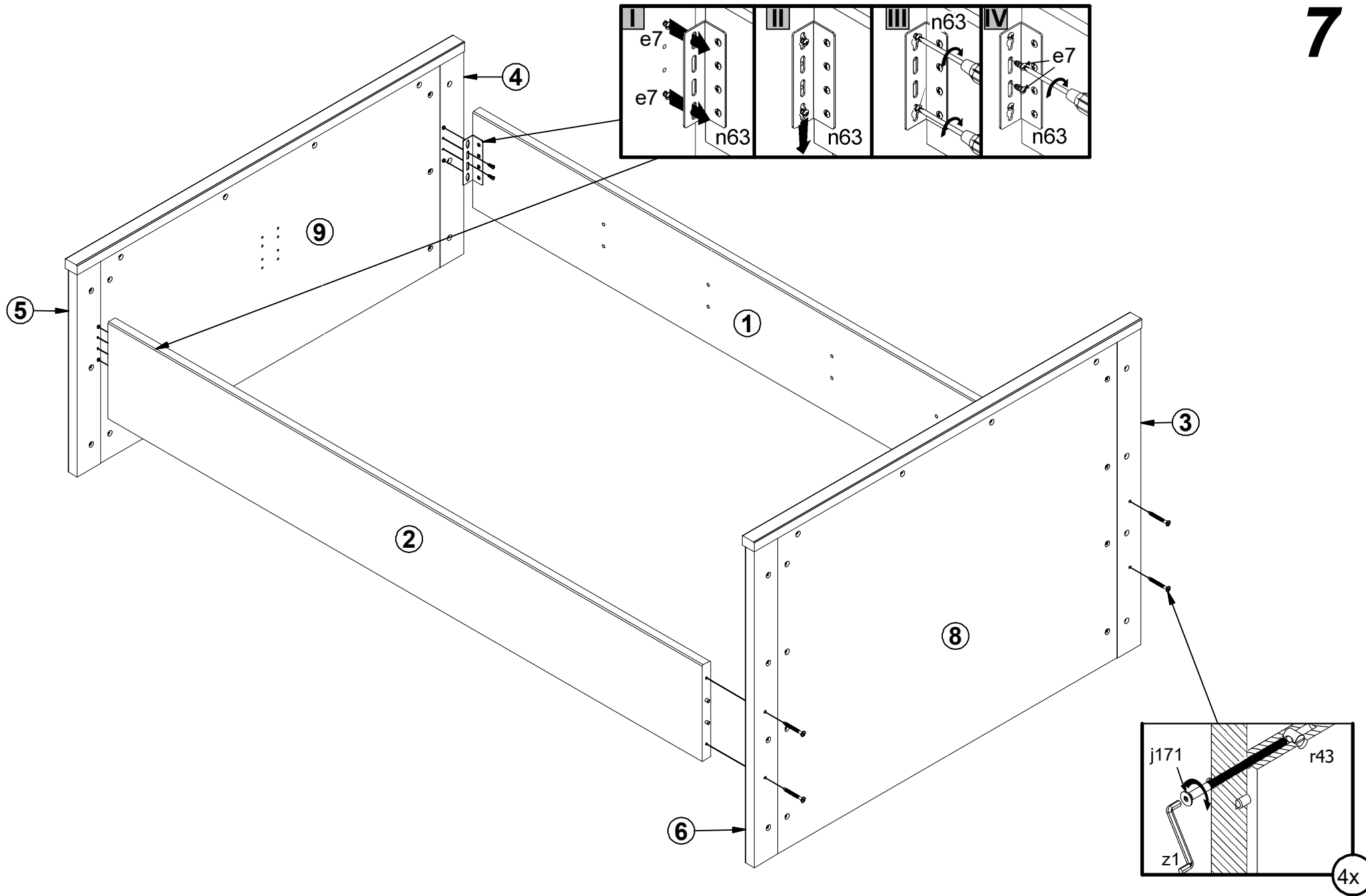


3

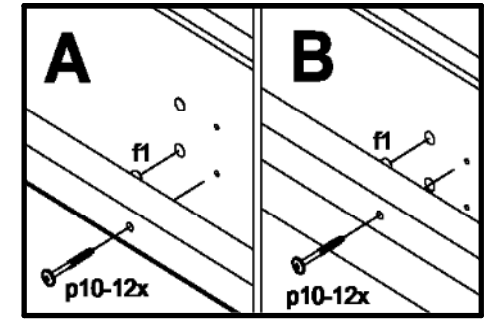
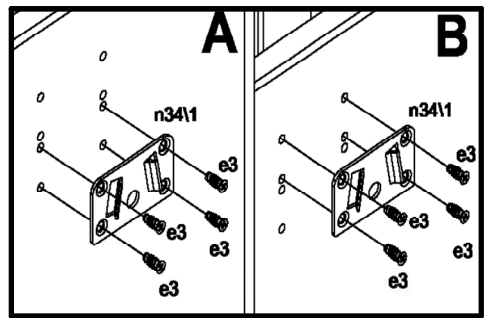
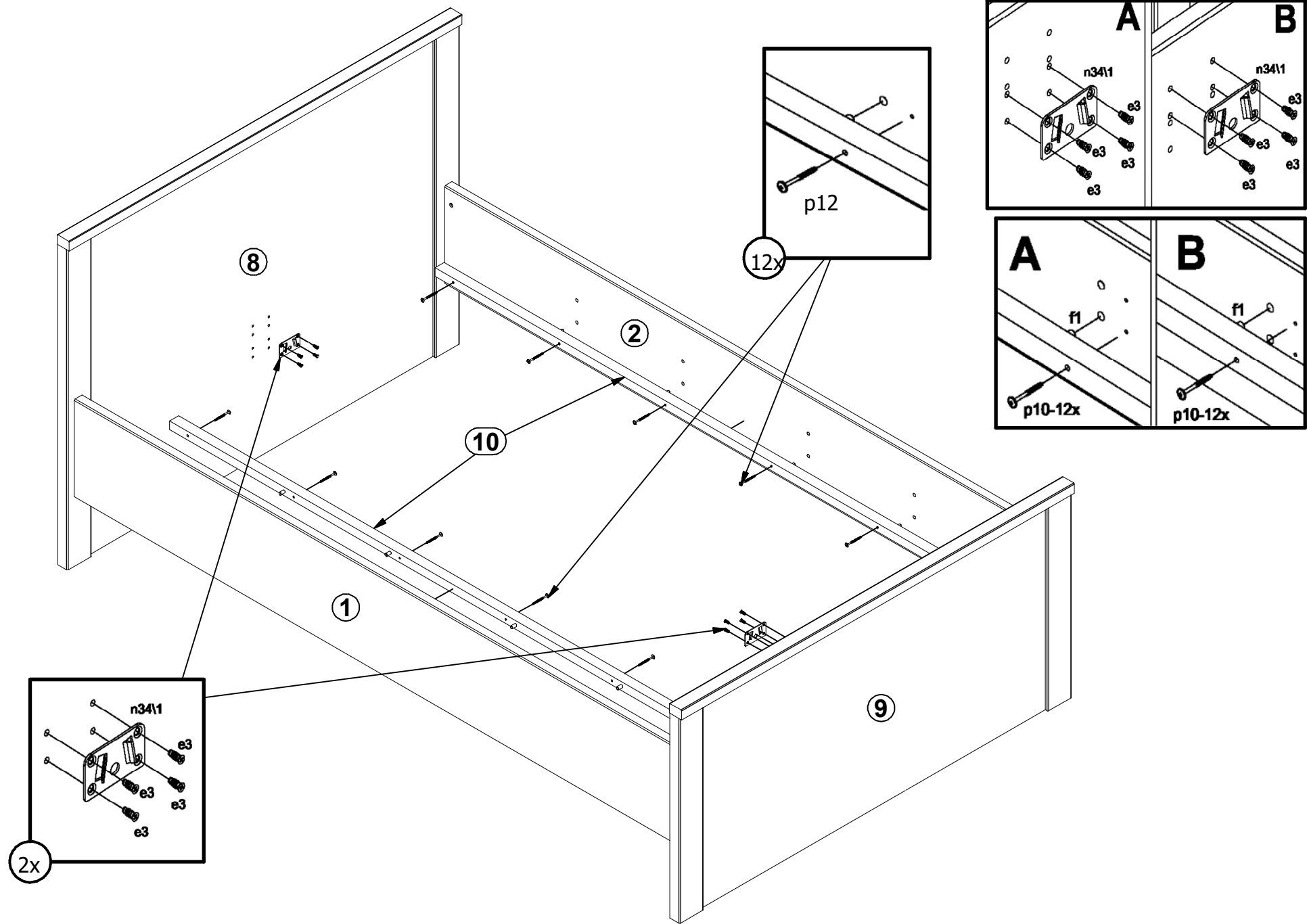




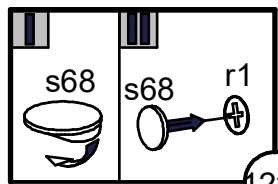




8







12x

