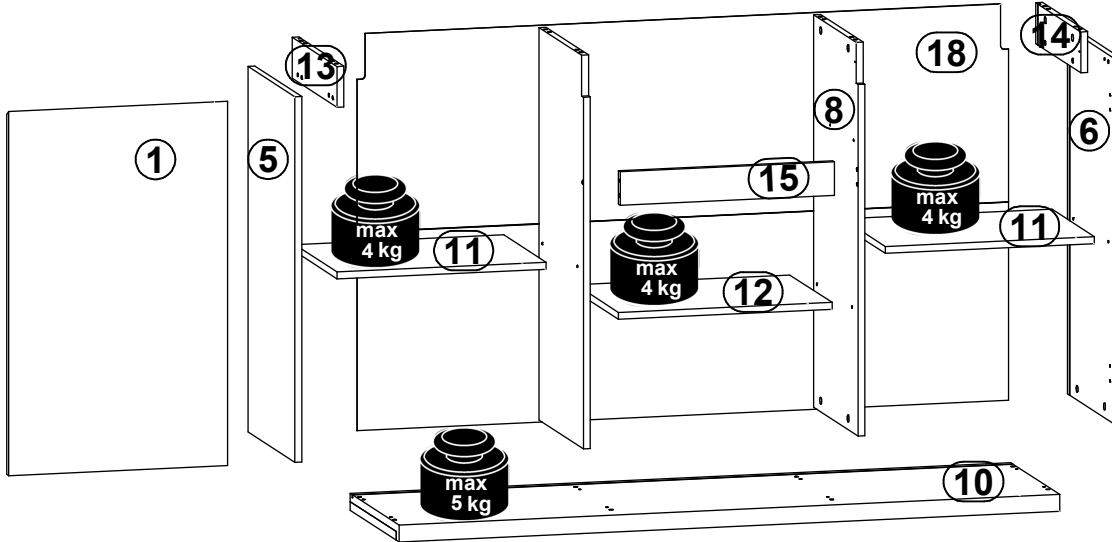
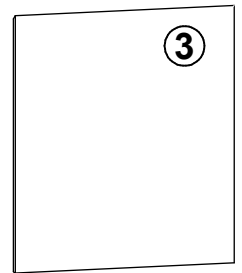
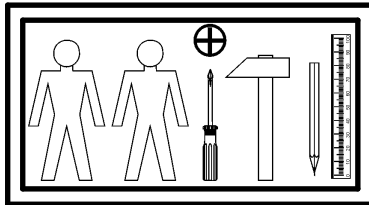
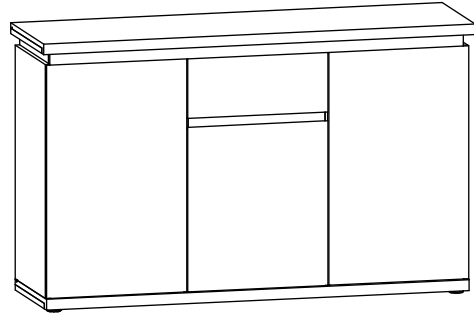
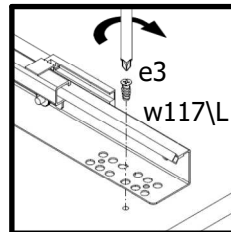
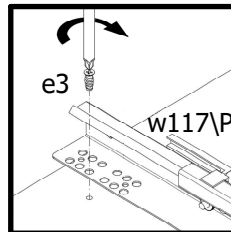
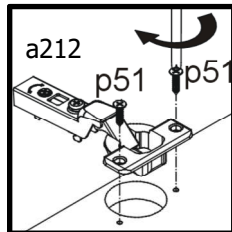
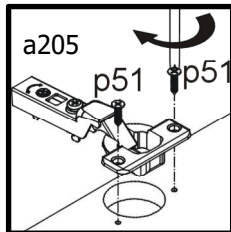
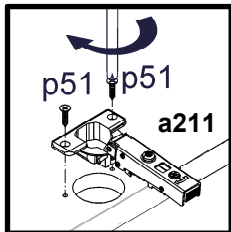
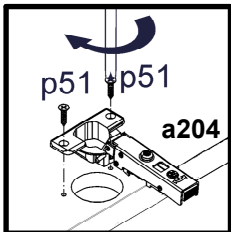
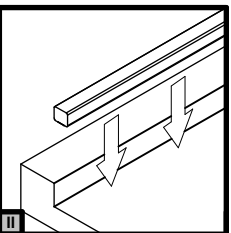
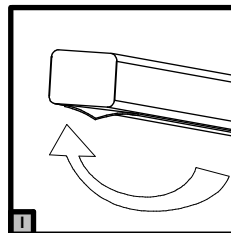
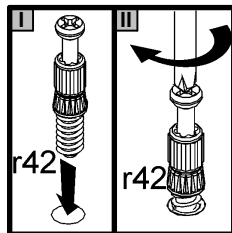
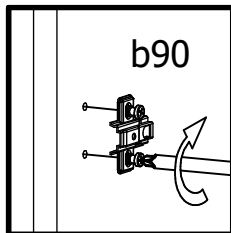
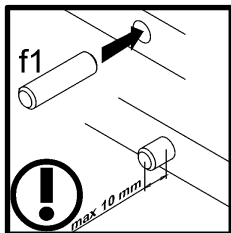
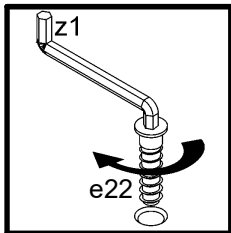
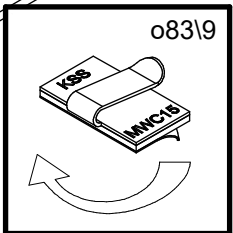
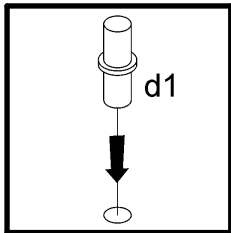
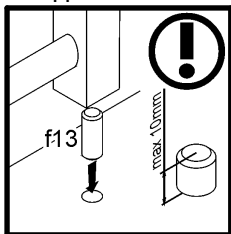
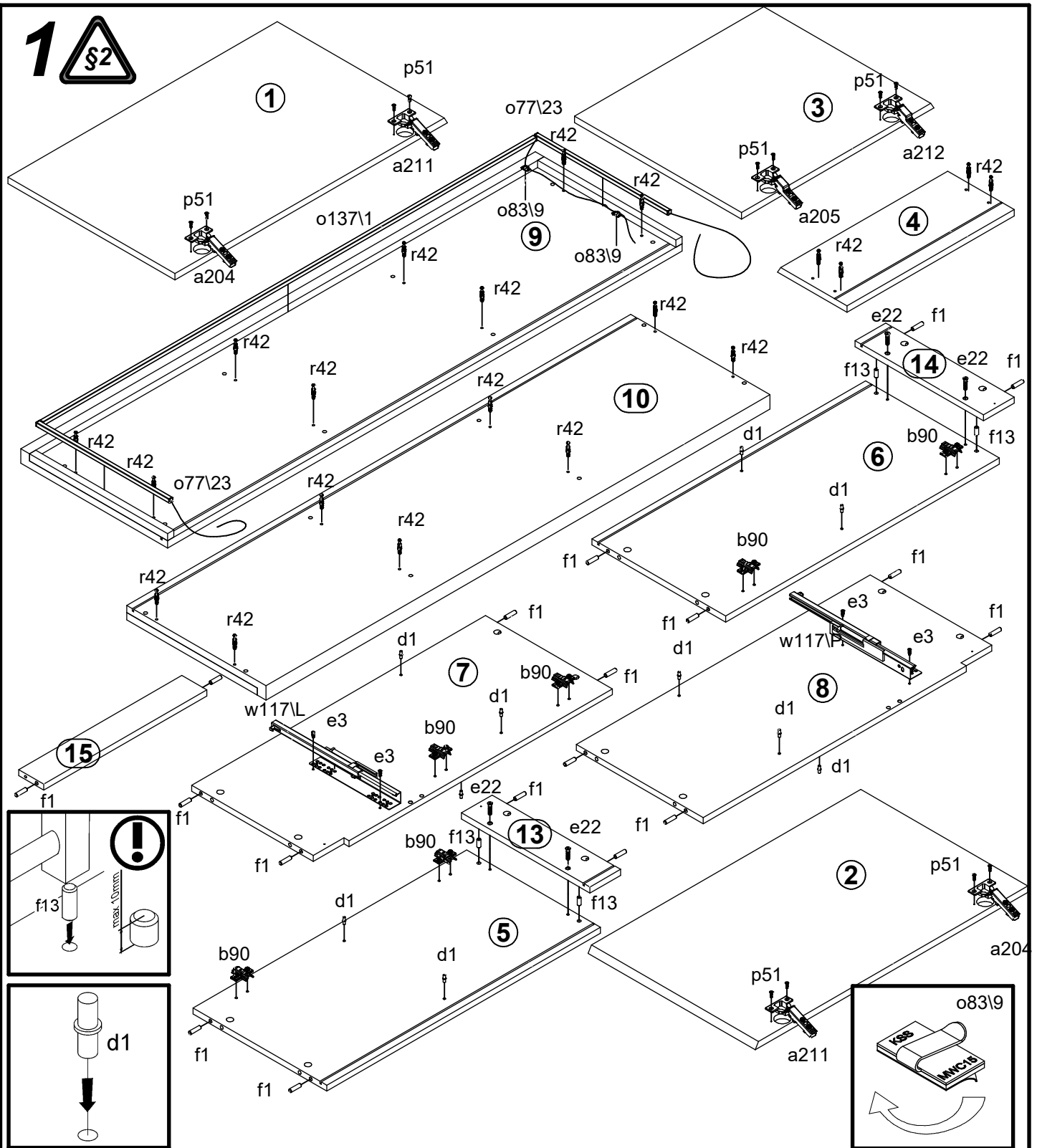


A	B	C	D	
1	S474-0009	783	480	3/3
2	S474-0010	783	480	3/3
3	S474-0011	553	480	3/3
4	S474-0012	480	200	3/3
5	S474-1014	786	384	1/3
6	S474-1015	786	384	1/3
7	S474-1016	844	364	1/3
8	S474-1017	844	364	1/3
9	S474-2009	1478	422	2/3
10	S474-2010	1448	400	2/3
11	S474-3011	458	347	1/3
12	S474-3012	468	347	1/3
13	S474-4011	369	88	2/3
14	S474-4012	369	88	2/3
15	S474-4015	469	72	2/3
16	S474-4016	1417	82	2/3
17	S474-9006	439	357	1/3
18	S474-9302	1428	853	2/3
19	ZQ6-5044	429	97	2/3
20	ZQ6-519	350	110	2/3
21	ZQ6-520	350	110	2/3

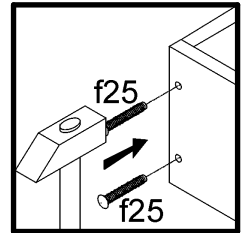
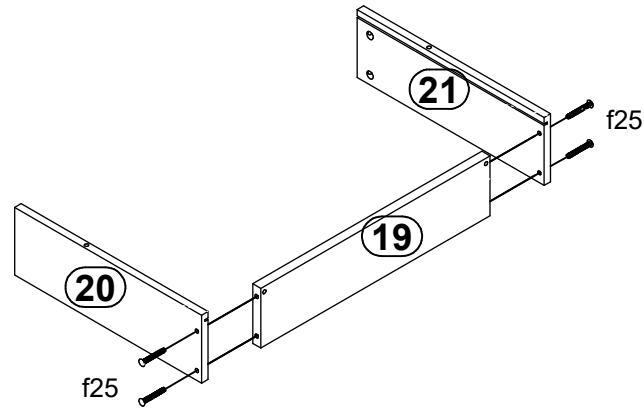


2x Ø35 Hamulec a204	1x Ø35 Hamulec a205	2x Ø35 Hamulec a211	1x Ø35 Hamulec a212	6x Ø2 b90	12x Ø5x17 mm d1	4x d36	2x Ø7x50 mm e1	4x Ø6x13 mm e3
4x Ø7x28 mm e22	18x Ø8x30 mm f1	4x Ø8x20 mm f13	4x Ø6.5x40 mm f25	6x Ø48x10 mm k43	10x l2	1x 3P 15W Ø70/17	2x L=380 mm Ø77/23	3x 15x15 mm Ø83/19
1x 10x10 mm L=1420 mm o137/1	3x Ø3.5x16 mm p38	20x Ø3.5x15 mm p51	10x Ø2.9x16 mm p55	16x Ø15x12 mm #16 r1	4x Ø12x10.5 mm #12 r15	20x 20/11 r42	6x Ø14x0.5 mm s59	12x Ø 20mm s68
1x 350 mm W117/L	1x 350 mm W117/P	1x 4 mm z1	1x n26/1	1x Ø3.5x16 mm p38				

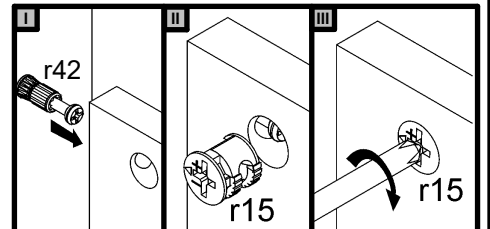
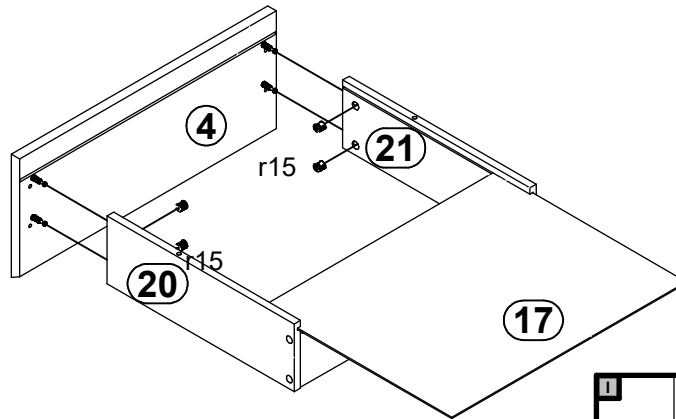
1



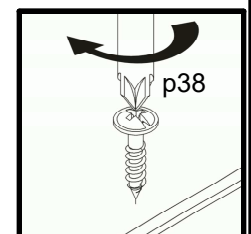
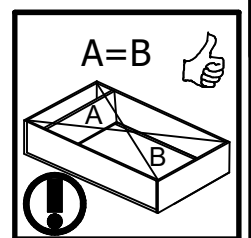
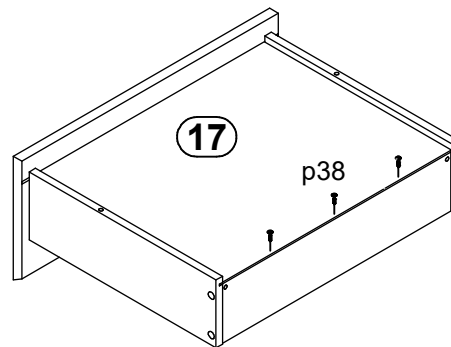
# 2



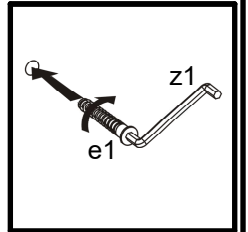
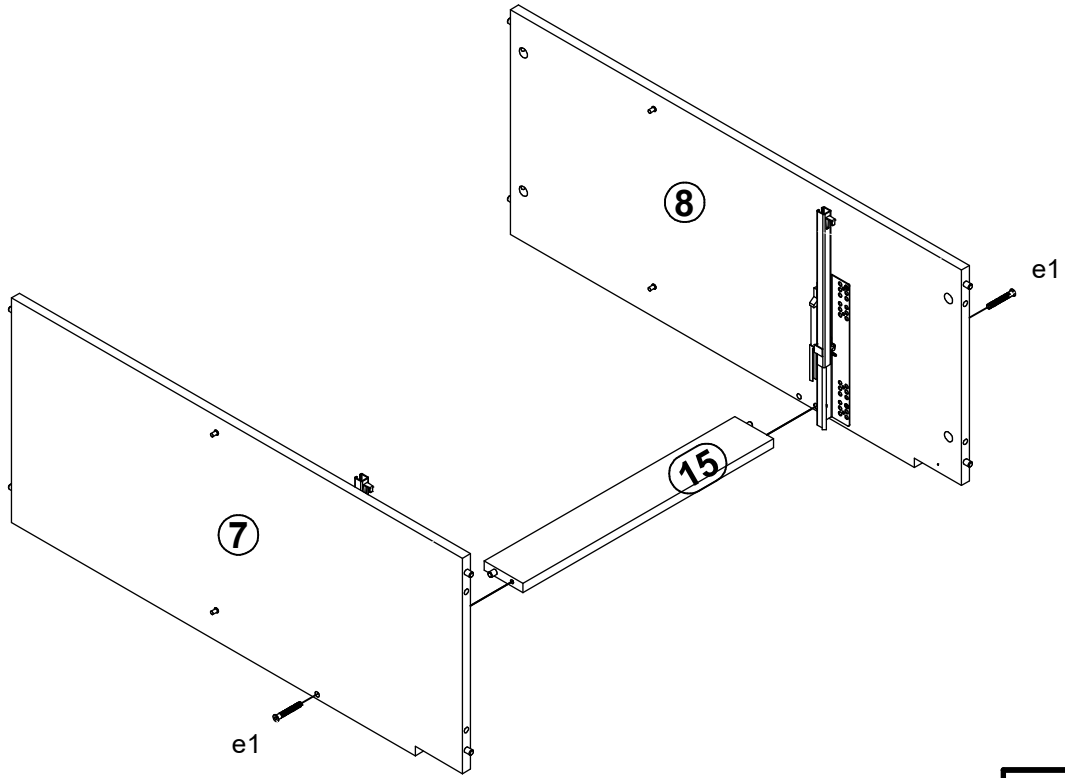
# 3



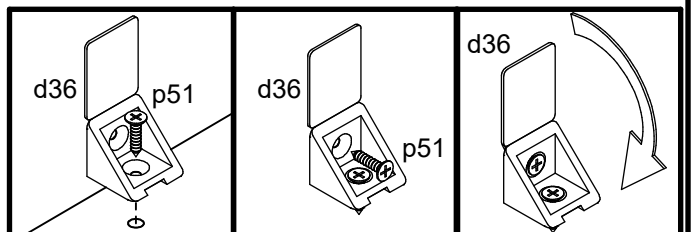
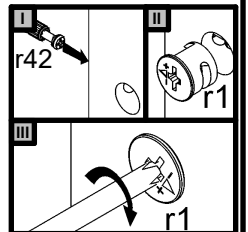
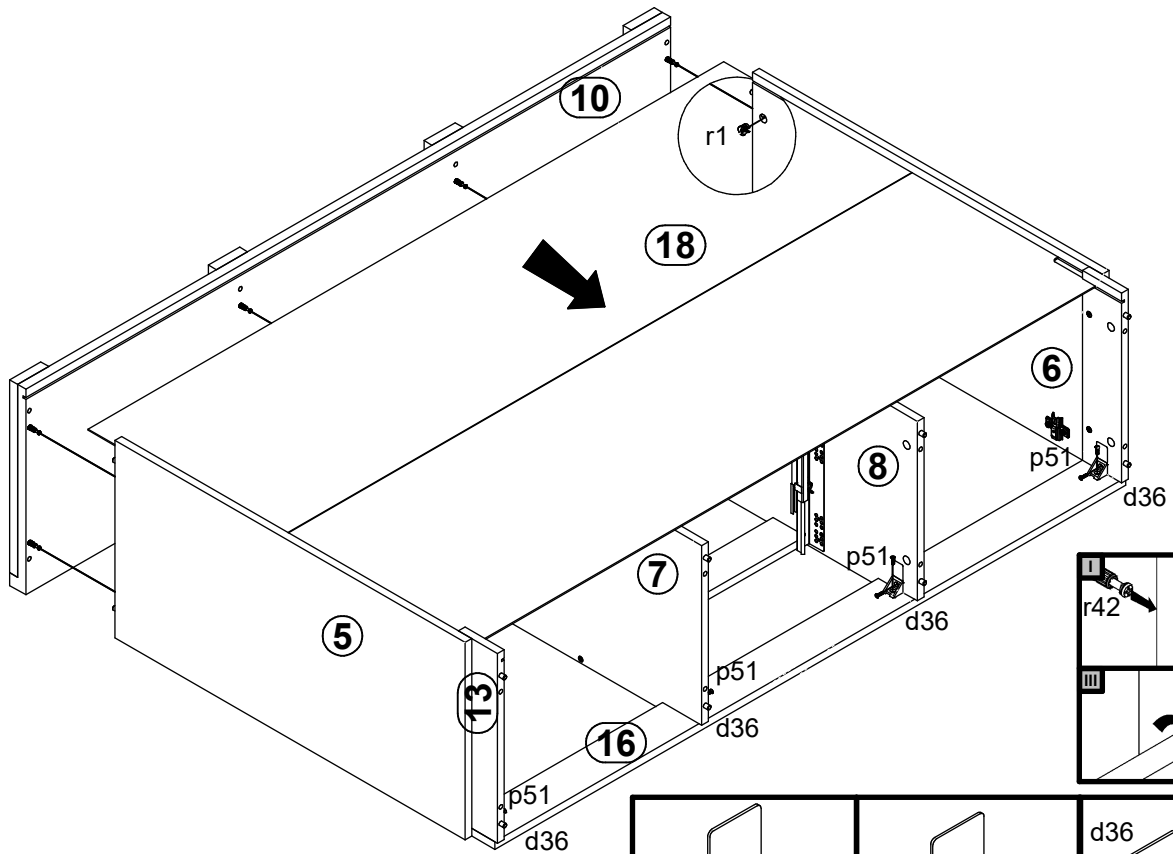
# 4



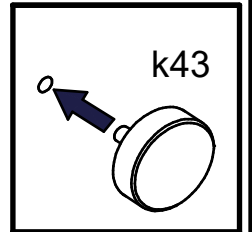
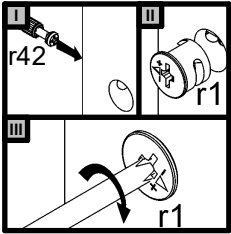
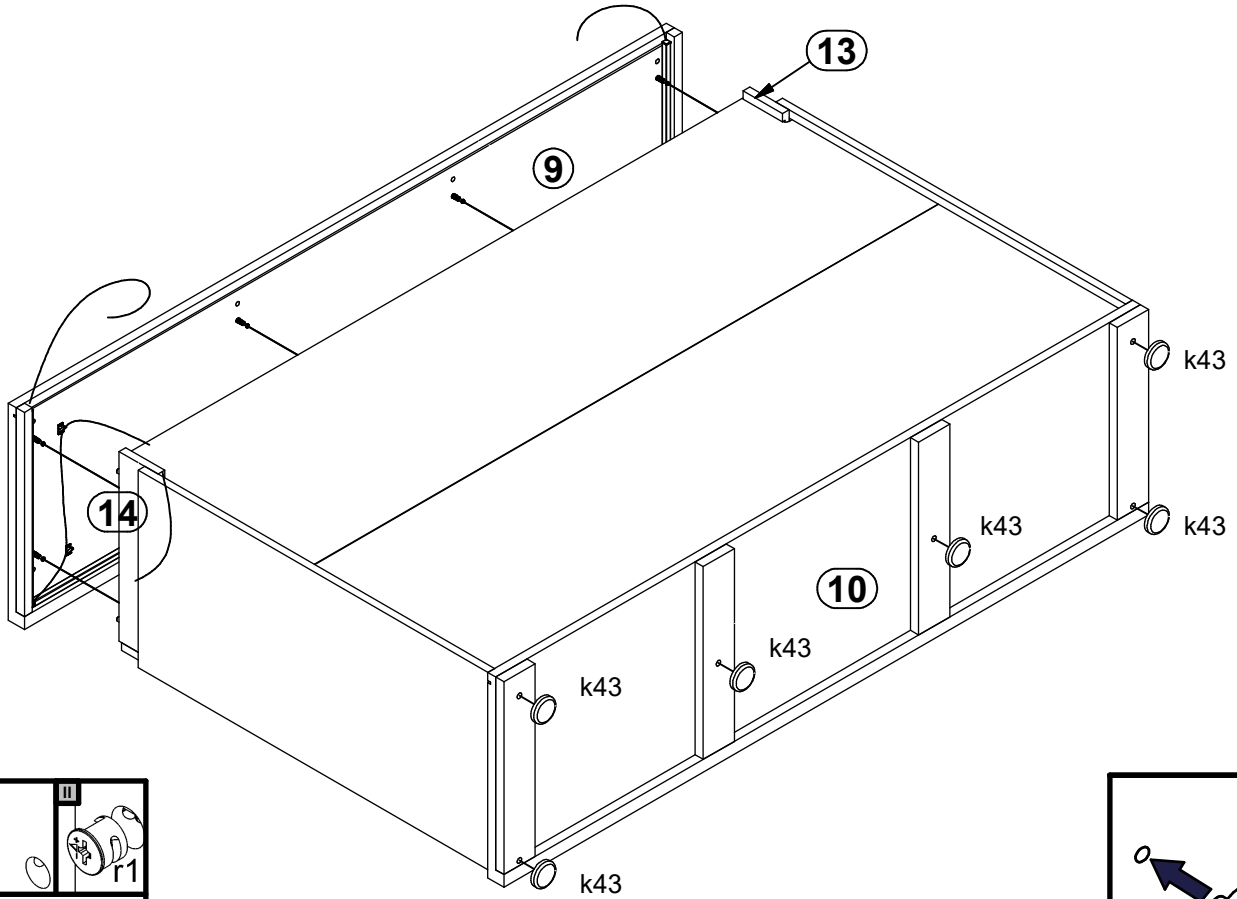
# 5



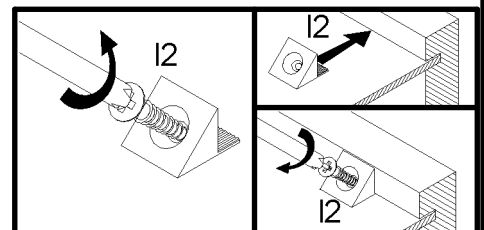
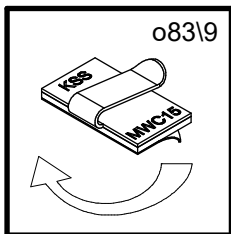
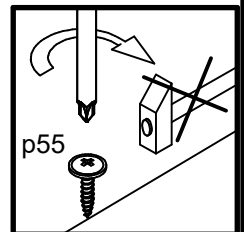
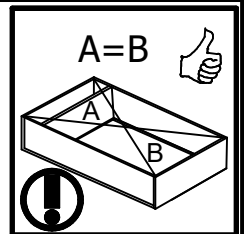
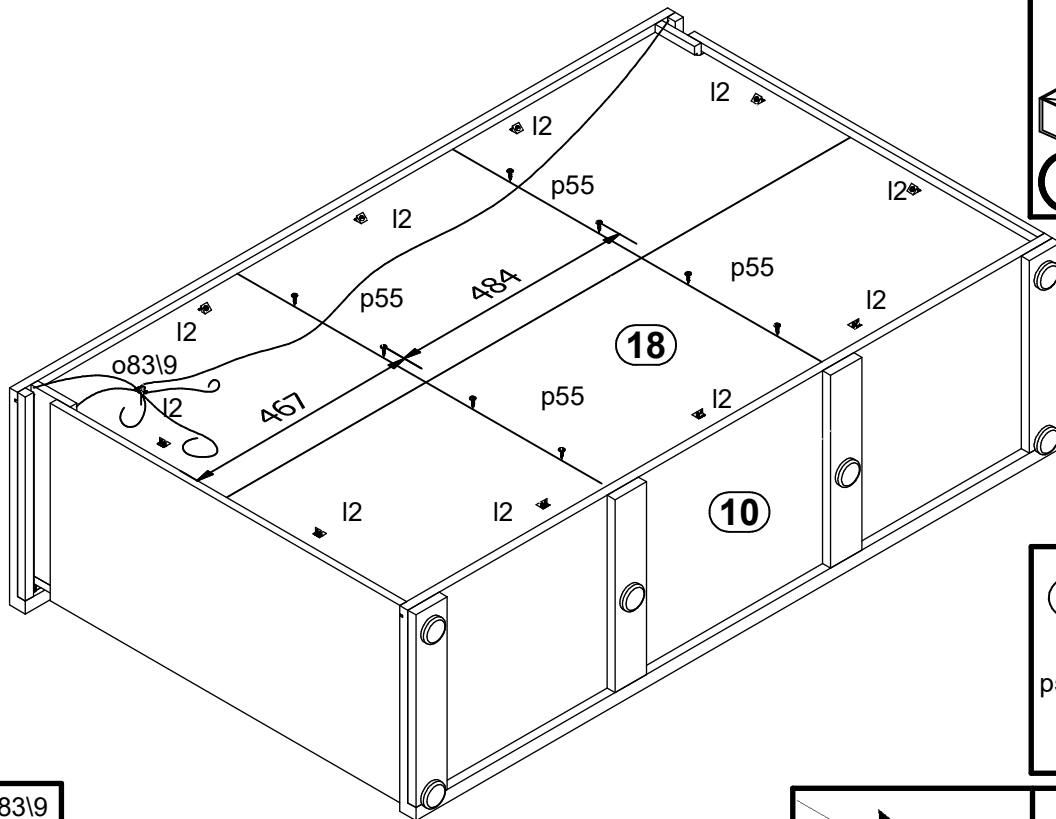
# 6



# 7



# 8



# 9

